



US00D764864S

(12) **United States Design Patent**
Hertaus

(10) **Patent No.:** **US D764,864 S**
(45) **Date of Patent:** **** Aug. 30, 2016**

- (54) **POUR OVER CARAFE FILTER**
- (71) Applicant: **Jacob Hertaus**, Minneapolis, MN (US)
- (72) Inventor: **Jacob Hertaus**, Minneapolis, MN (US)
- (73) Assignee: **Vision Home Products, Inc.**, Le Sueur, MN (US)
- (**) Term: **14 Years**

D565,350 S * 4/2008 Gauger D7/399
 8,221,813 B2 * 7/2012 Boul A47J 31/08
 210/455
 D694,579 S * 12/2013 Khubani D7/400
 D717,594 S * 11/2014 Taketani D7/399
 D729,005 S * 5/2015 Lee D7/399

- (21) Appl. No.: **29/517,378**
- (22) Filed: **Feb. 12, 2015**
- (51) **LOC (10) Cl.** **07-99**
- (52) **U.S. Cl.**
USPC **D7/400**; D7/667
- (58) **Field of Classification Search**
USPC D7/400, 398, 399, 667; D11/154, 152;
D3/304, 306; D23/209, 261; 99/279,
99/316, 303, 290, 323, 300, 295, 306;
210/455, 474; 426/435
CPC A47J 31/00; A47J 31/44; A47J 31/057;
A47J 47/00; A47J 47/16; A47J 31/446;
A47J 31/0631; A47J 31/02; B01D 35/28;
A47G 19/00; A47G 19/14
See application file for complete search history.

FOREIGN PATENT DOCUMENTS

GB 2351012 A 12/2000

OTHER PUBLICATIONS

Merlo, "Hario V60 Drip Filter 1 cup Merlo Coffee", <https://www.merlo.com.au/store/Product/1004240/hario-v60-drip-filter-1-cup>, last accessed Dec. 26, 2014.

(Continued)

Primary Examiner — Marianne Pandozzi

(74) *Attorney, Agent, or Firm* — Haugen Law Firm PLLP

(57) **CLAIM**

The ornamental design for a pour over carafe filter, as shown and described.

DESCRIPTION

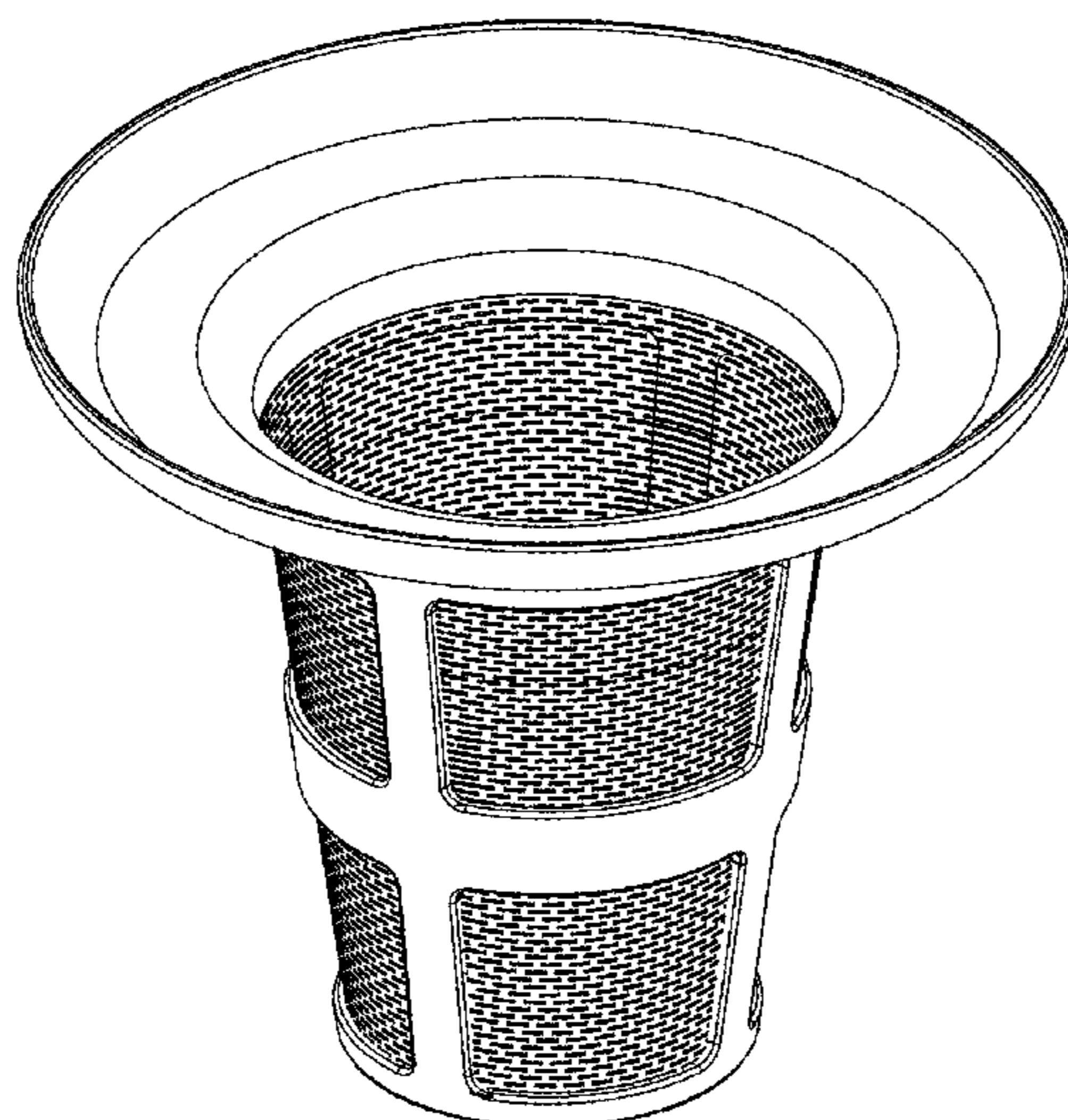
FIG. 1 is a perspective view of the pour over carafe filter of the present invention;
 FIG. 2 is a left side view of the pour over carafe filter shown in FIG. 1;
 FIG. 3 is a right side view of the pour over carafe filter shown in FIG. 1;
 FIG. 4 is a front view of the pour over carafe filter shown in FIG. 1;
 FIG. 5 is a back view of the pour over carafe filter shown in FIG. 1;
 FIG. 6 is a top plan view of the pour over carafe filter shown in FIG. 1; and,
 FIG. 7 is a bottom plan view of the pour over carafe filter shown in FIG. 1.

1 Claim, 7 Drawing Sheets

(56) **References Cited**

U.S. PATENT DOCUMENTS

- 2,257,944 A * 10/1941 Fischbein A47J 31/06
210/497.3
- 5,125,327 A * 6/1992 Winnington-Ingram A47G 19/14
99/306
- D349,211 S * 8/1994 Cerato D7/400
- D396,603 S * 8/1998 Gasser D7/400
- D447,911 S * 9/2001 Jørgensen D7/400
- D514,398 S * 2/2006 Feil D7/400
- D524,599 S * 7/2006 Bodum D7/400
- D563,161 S * 3/2008 Bodum D7/399



(56)

References Cited

OTHER PUBLICATIONS

Jeroen, Robert, "The Chaicoffski filter", <http://cafezine.com/the-chaicoffski-filter/2012/>, Apr. 21, 2012.

Sigg Aluminum, "GSI Outdoors H2JO Wide Mouth Thread Water Bottle/Coffee Maker", <http://www.sigg-aluminium.co.uk/other-brands/gsi-outdoors/gsi-outdoor> . . . , last accessed Dec. 26, 2014.

GSI Outdoors, "Collapsible Java Drip", http://gsioutdoors.com/products/pdp/collapsible_java_drip/coffee, last accessed Dec. 26, 2014.

Teavana, Cool Touch Tea Strainer, <http://www.teavana.com/tea-products/tea-makers-infusers/p/cool-touch-t> . . . , last accessed Dec. 26, 2014.

* cited by examiner

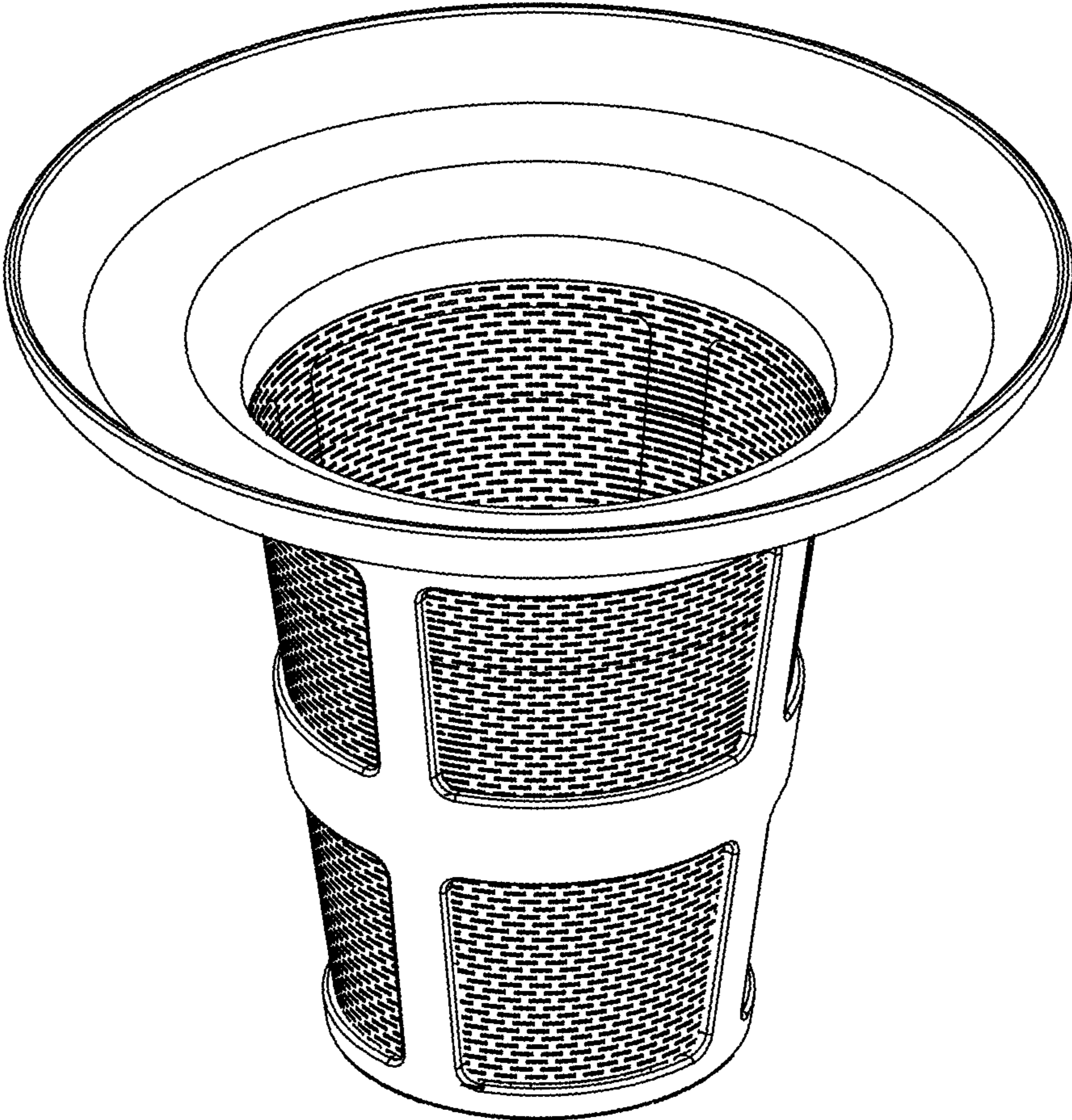


FIG. 1

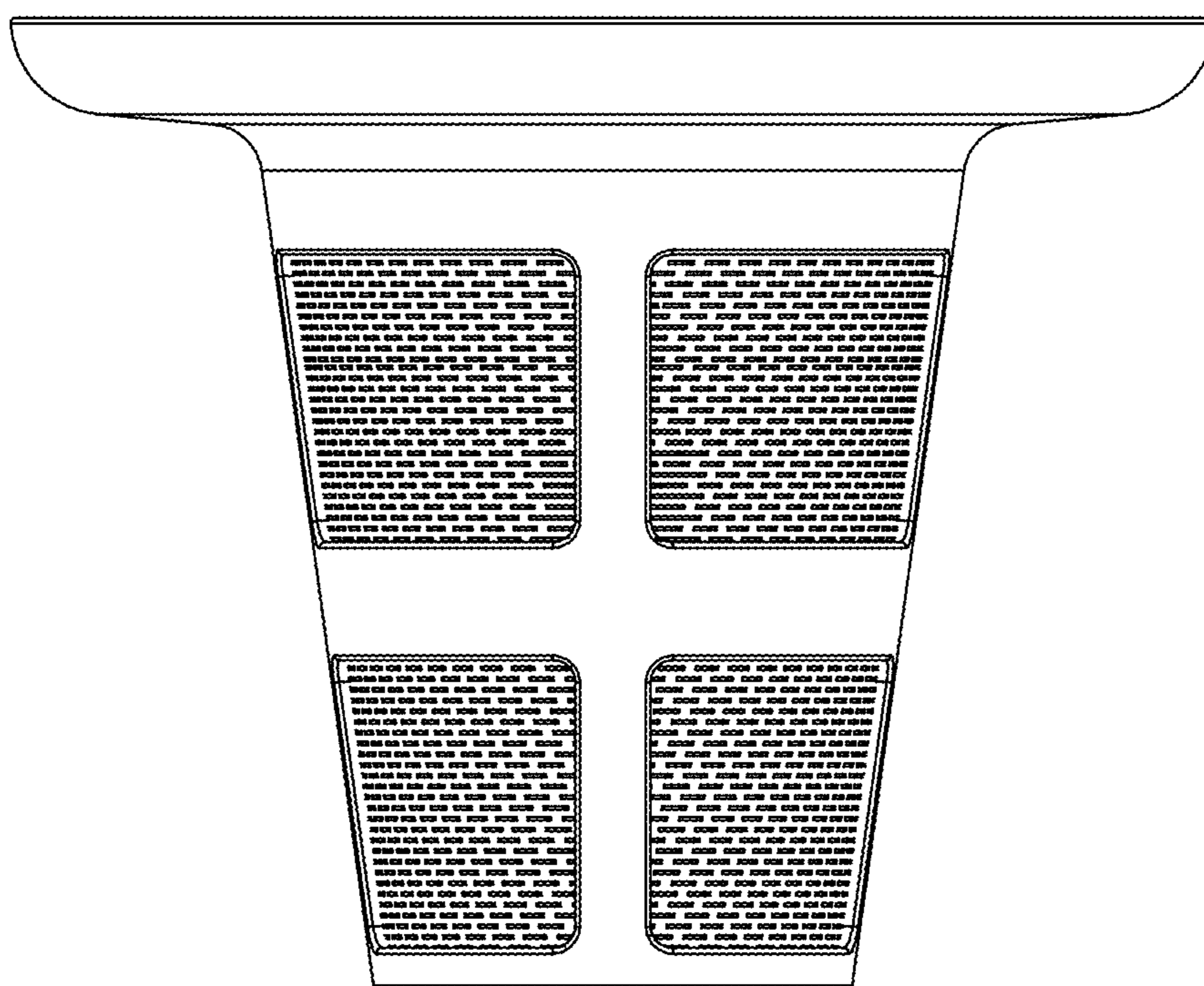


FIG. 2

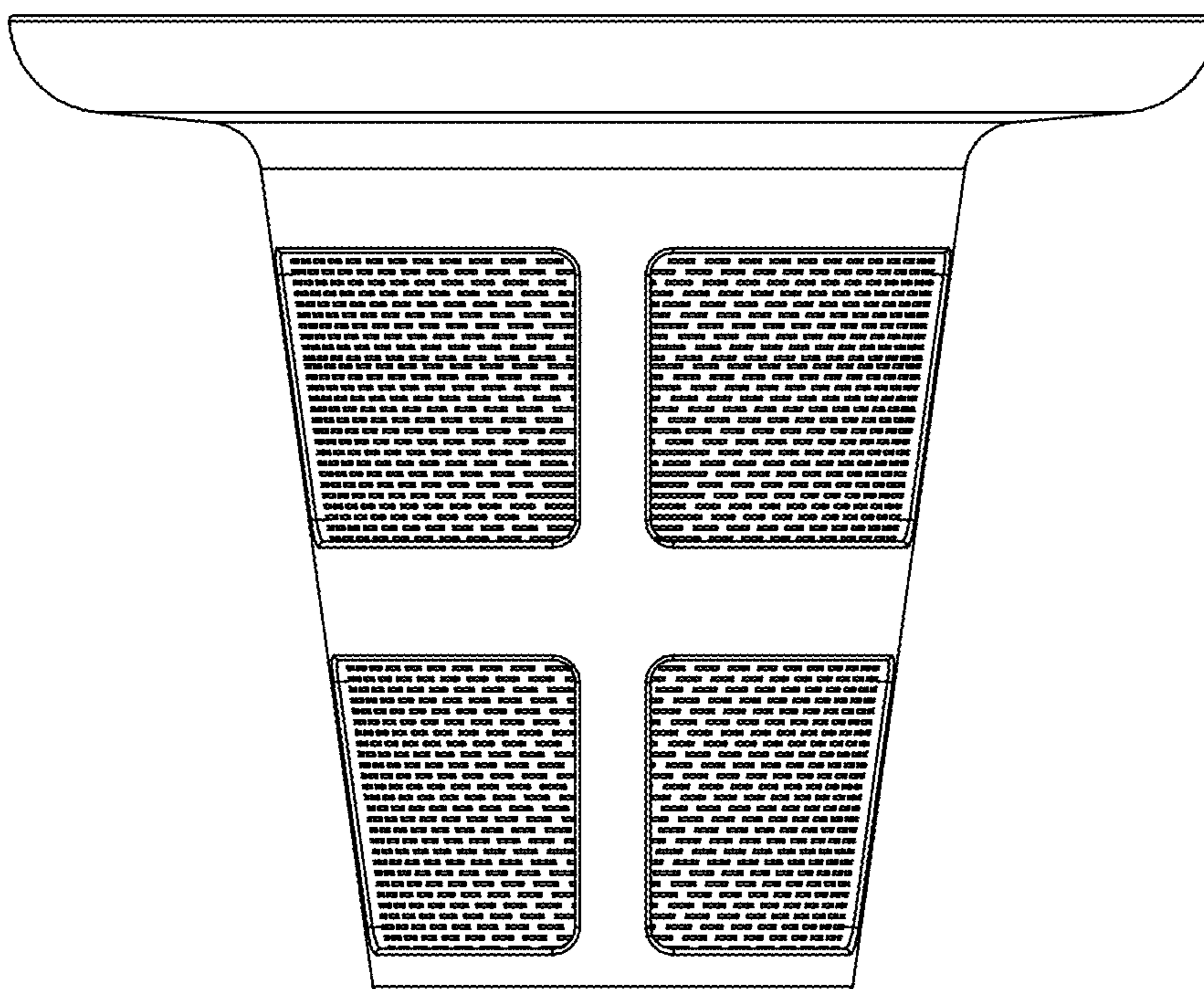


FIG. 3

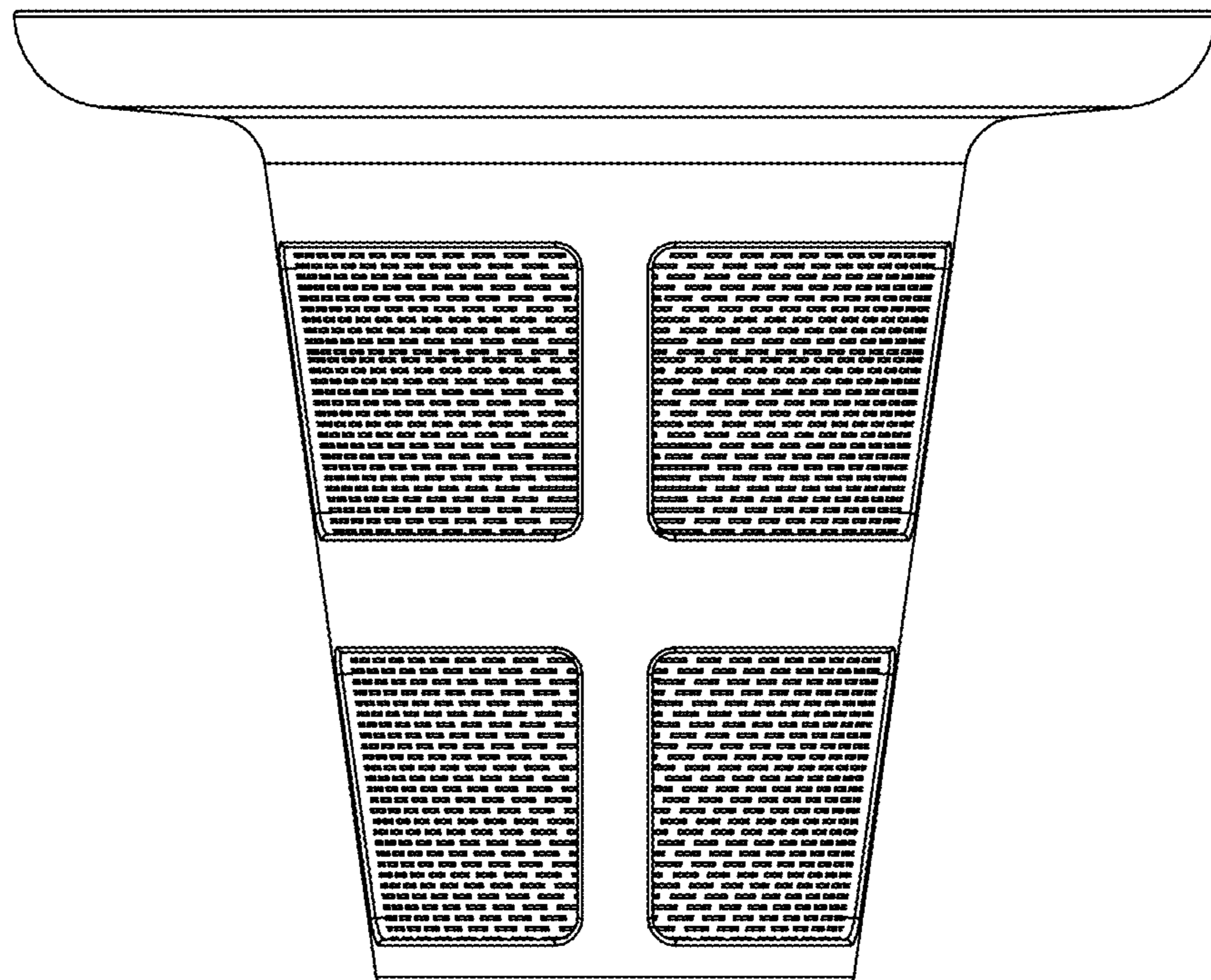


FIG. 4

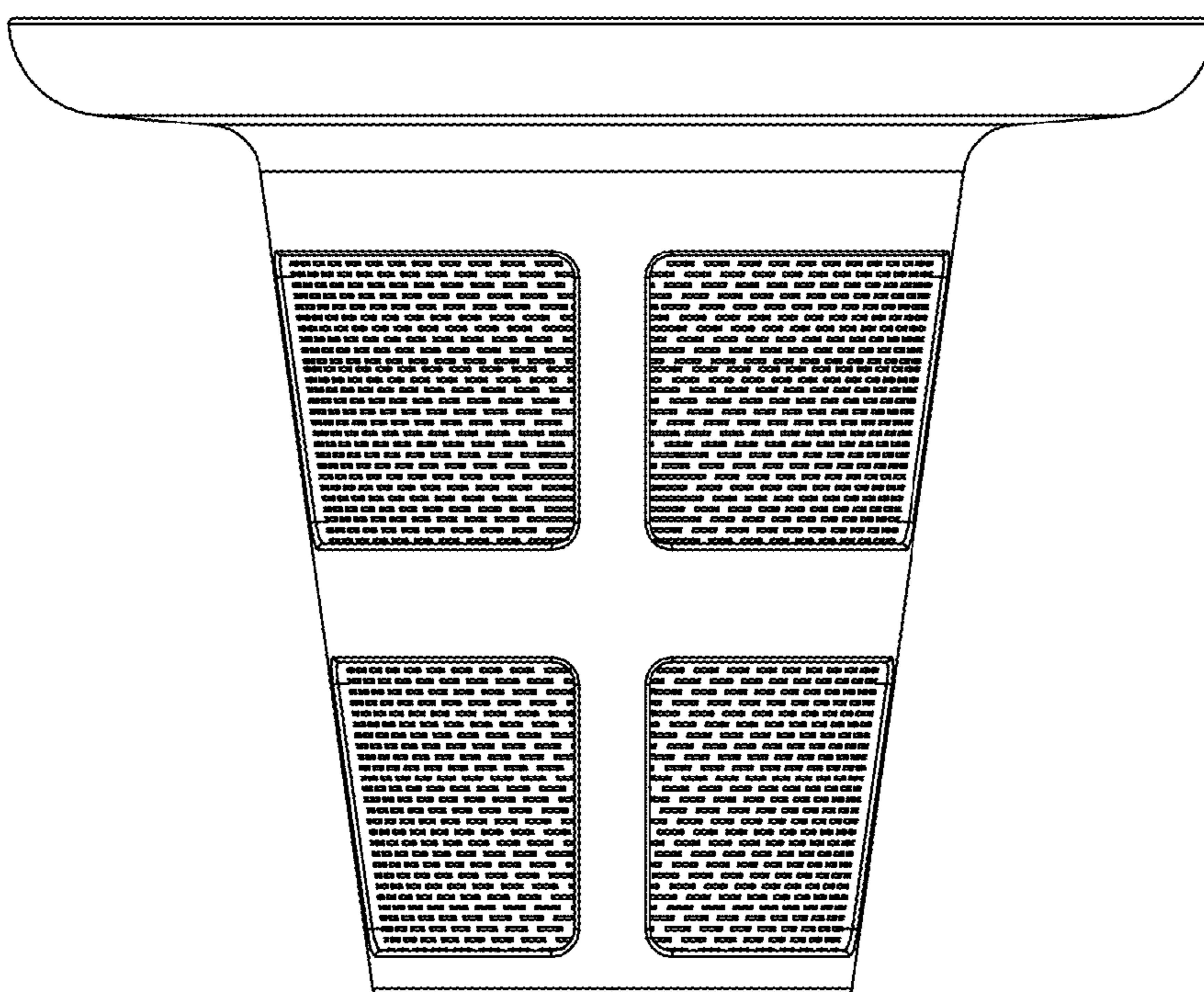


FIG. 5

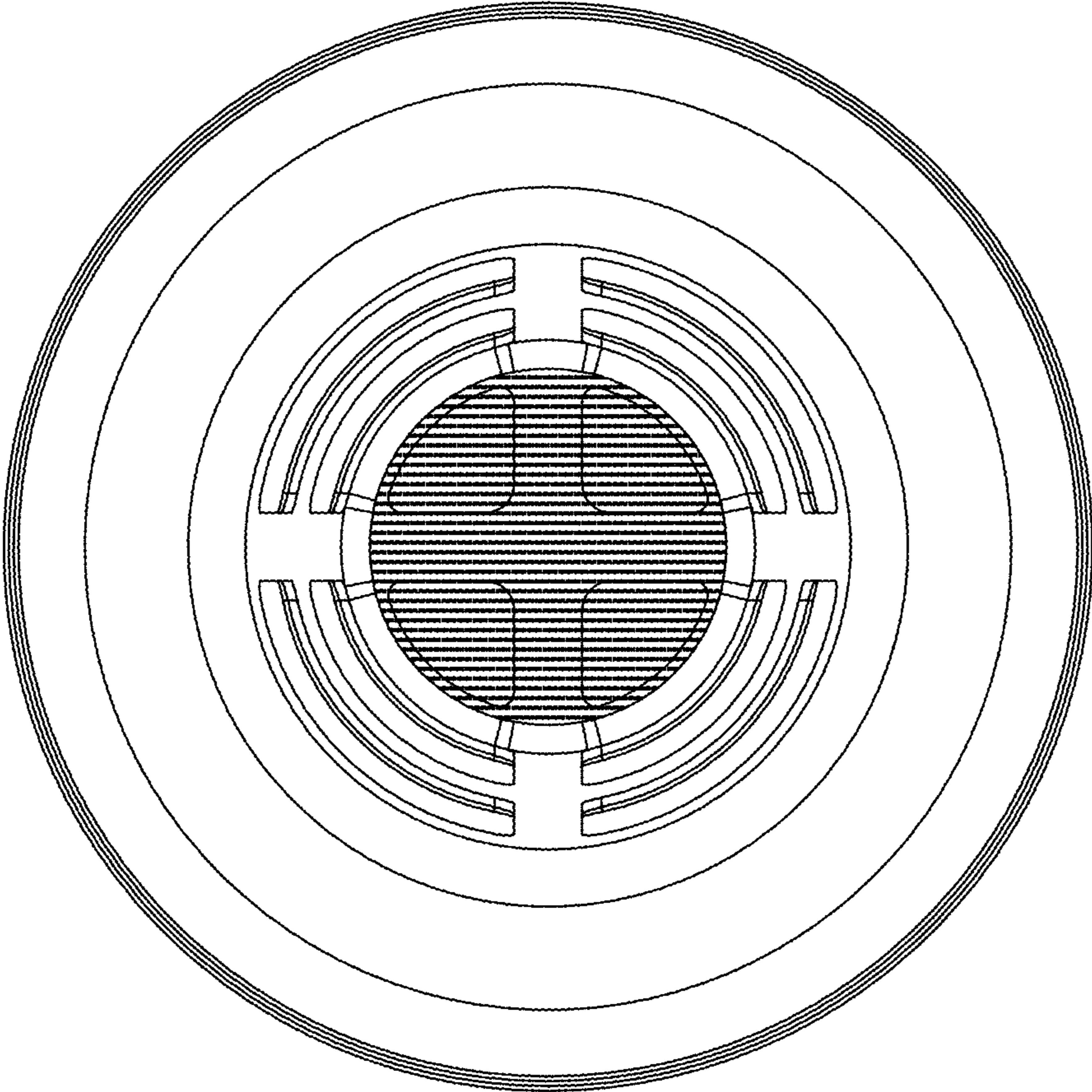


FIG. 6

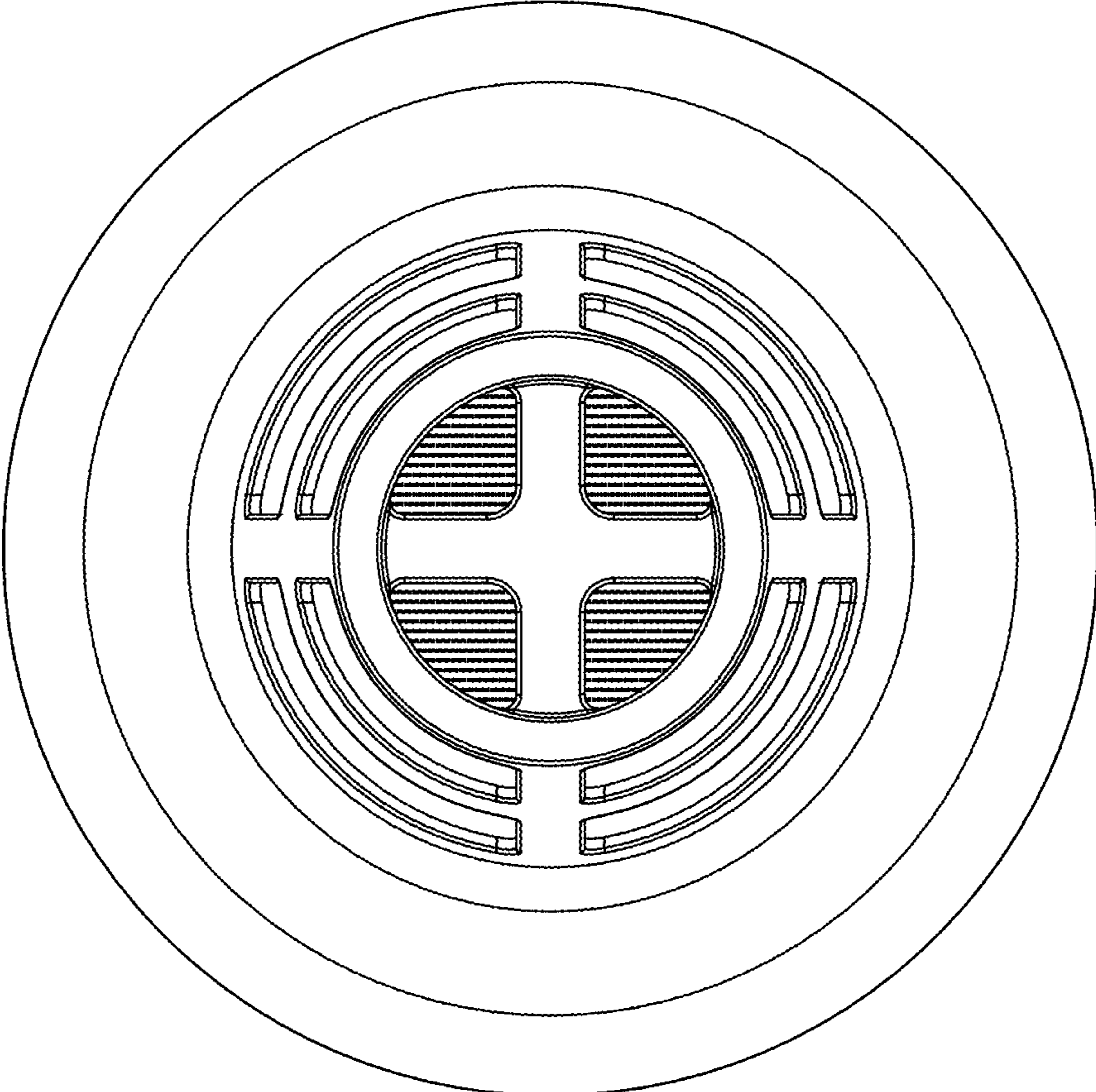


FIG. 7