



US00D764863S

(12) **United States Design Patent**  
**Lee et al.**

(10) **Patent No.:** **US D764,863 S**

(45) **Date of Patent:** **\*\* Aug. 30, 2016**

(54) **COFFEE BEAN GRINDER**

(56) **References Cited**

(71) Applicant: **Helen of Troy Limited**, Belleville, St. Michael (BB)

U.S. PATENT DOCUMENTS

(72) Inventors: **Alexander T. F. Lee**, New York, NY (US); **Davin Stowell**, New York, NY (US); **Joern Vicari**, Brooklyn, NY (US); **Christopher Xydis**, San Francisco, CA (US); **Joseph Zeledon**, Brooklyn, NY (US)

D89,652	S	*	4/1933	Preston	.....	D7/665
D353,075	S	*	12/1994	Littmann	.....	D7/373
D361,919	S	*	9/1995	Fouquet	.....	D7/373
D389,010	S	*	1/1998	Joergensen	.....	D7/373
5,865,095	A	*	2/1999	Mulle	.....	A47J 31/0573 99/286
D420,248	S	*	2/2000	Uemura	.....	D7/373
D437,523	S	*	2/2001	Glucksman	.....	D7/373
D483,220	S	*	12/2003	Seum	.....	D7/373
D483,221	S	*	12/2003	Ledingham	.....	D7/373
D500,427	S	*	1/2005	Fung	.....	D7/373
D630,041	S	*	1/2011	Cai	.....	D7/376
D653,905	S	*	2/2012	Bodum	.....	D7/373
D673,419	S	*	1/2013	De Pra	.....	D7/373

(73) Assignee: **Helen of Troy Limited**, Belleville, St. Michael (BB)

(\*\*) Term: **15 Years**

\* cited by examiner

(21) Appl. No.: **29/529,714**

*Primary Examiner* — Ricky Pham

(22) Filed: **Jun. 10, 2015**

(74) *Attorney, Agent, or Firm* — Rankin, Hill & Clark LLP

(51) **LOC (10) Cl.** ..... **31-00**

(57) **CLAIM**

(52) **U.S. Cl.**  
USPC ..... **D7/373; D7/376; D7/378**

The ornamental design for a coffee bean grinder, as shown and described.

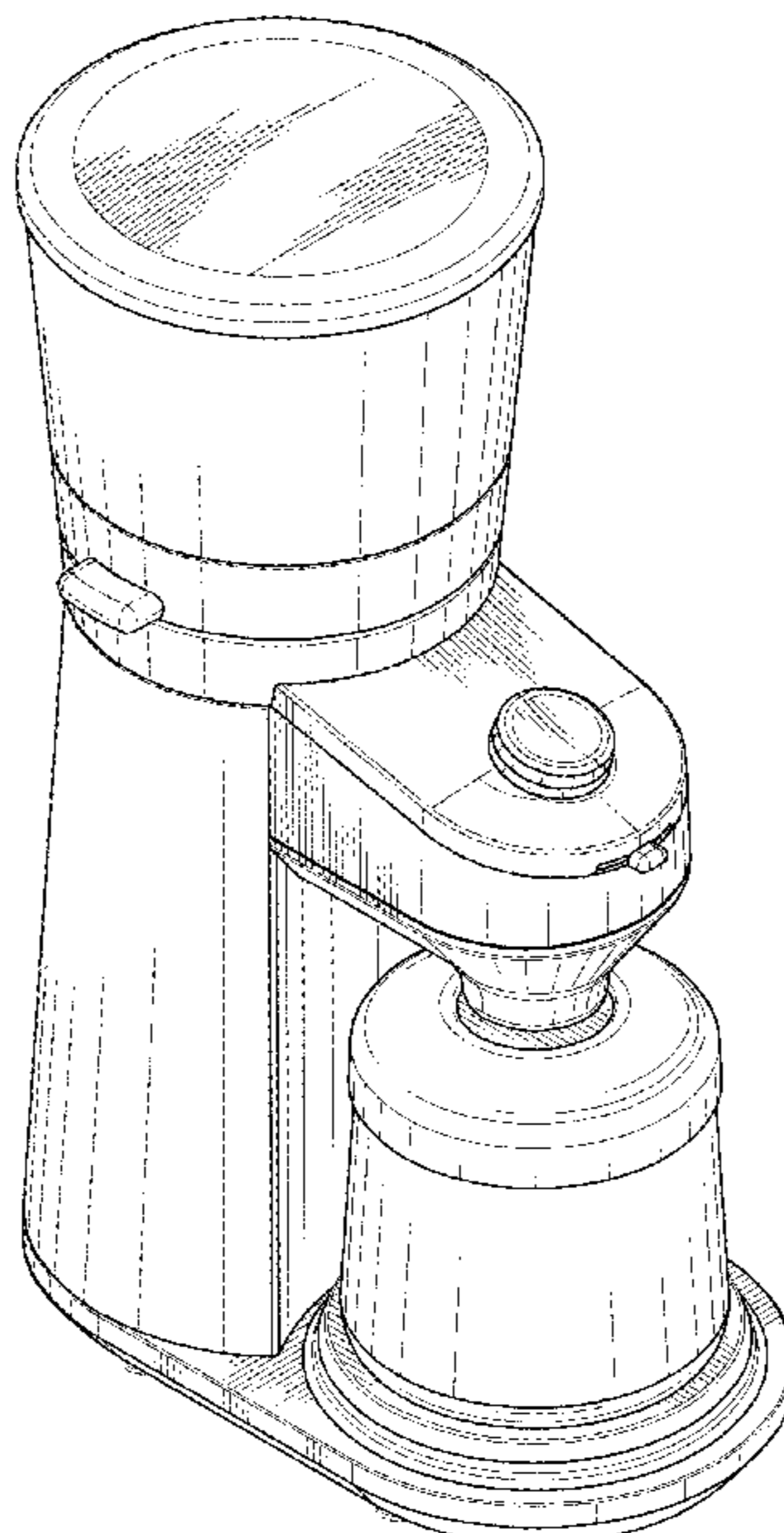
(58) **Field of Classification Search**  
USPC ..... D7/372–373, 376–386, 412–413, 602, D7/629, 665–666, 669, 679, 693–694  
CPC ..... A21C 1/02; A21C 1/04; A23N 1/00; A23N 1/02; A47J 31/0573; A47J 43/04; A47J 43/25; A47J 43/27; A47J 43/042; A47J 43/044; A47J 43/046; A47J 43/075; A47J 43/0722; A47J 43/0727; B01F 3/00; B01F 3/0807; B01F 3/0853; B01F 13/0059; B01F 13/0064; B02C 1/08; B02C 2/04; B02C 4/42; B02C 4/142; B02C 4/143; B02C 4/423; B02C 13/1835; B28C 5/10; B28C 5/12; B28C 5/14; B28C 5/16

See application file for complete search history.

**DESCRIPTION**

FIG. 1 is a perspective view of a coffee bean grinder; FIG. 2 is a front elevation view thereof; FIG. 3 is a right side elevation view thereof; FIG. 4 is a rear elevation view thereof; FIG. 5 is a left side elevation view thereof; FIG. 6 is a top plan view thereof; and, FIG. 7 is a bottom plan view thereof. The broken lines in the drawings, which illustrate environmental structure or boundaries of the coffee bean grinder, do not form a part of the claimed design.

**1 Claim, 7 Drawing Sheets**



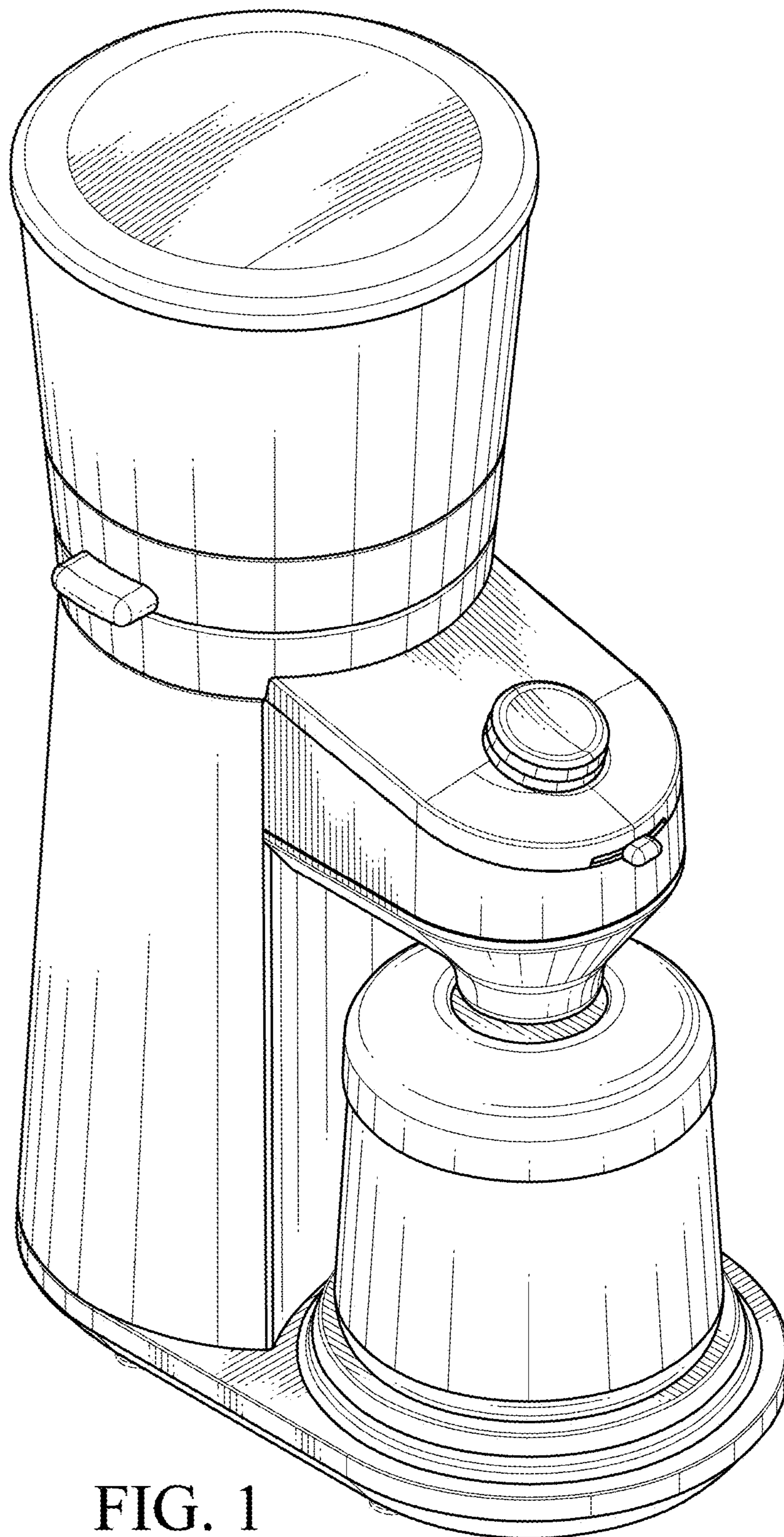


FIG. 1

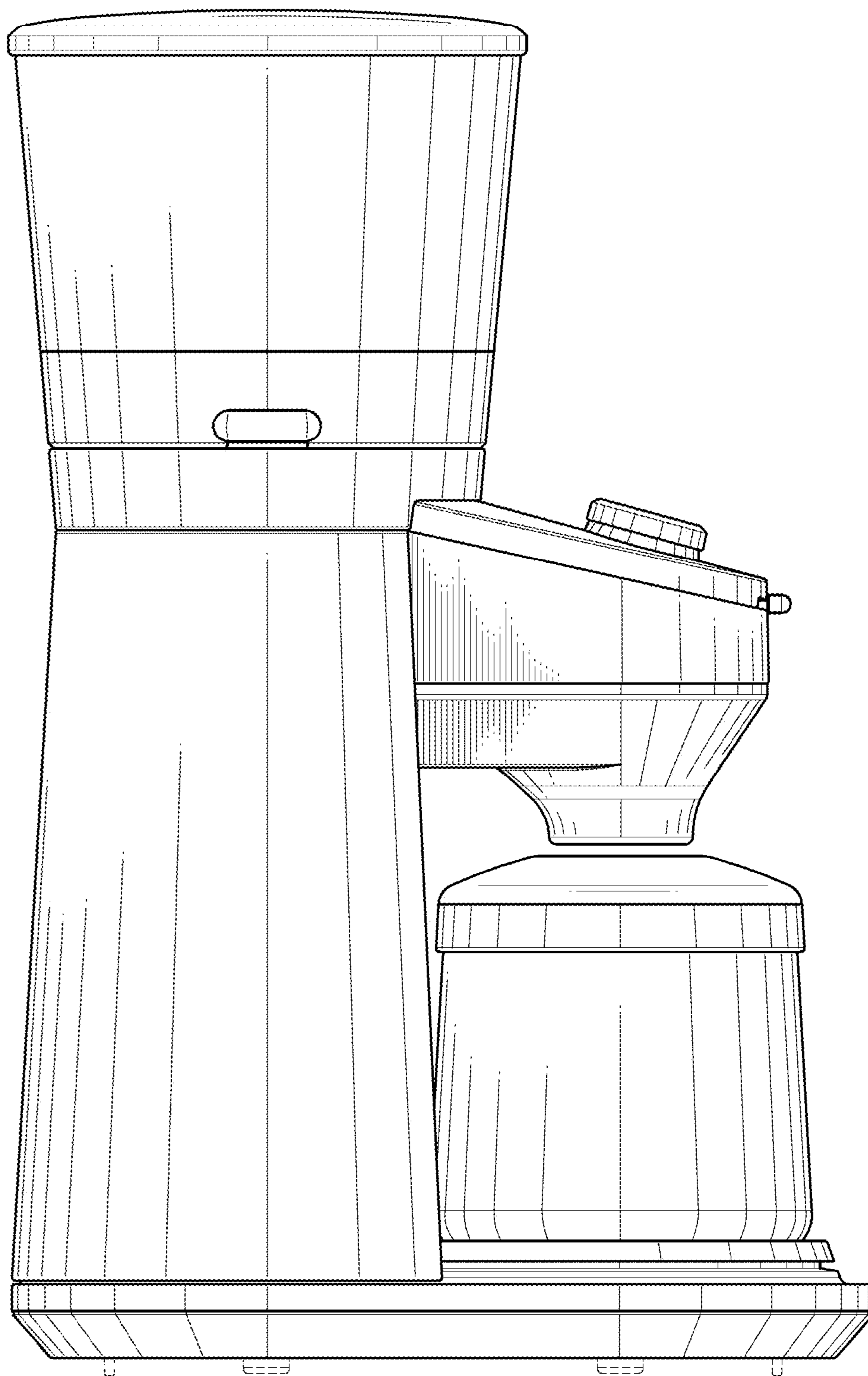


FIG. 2

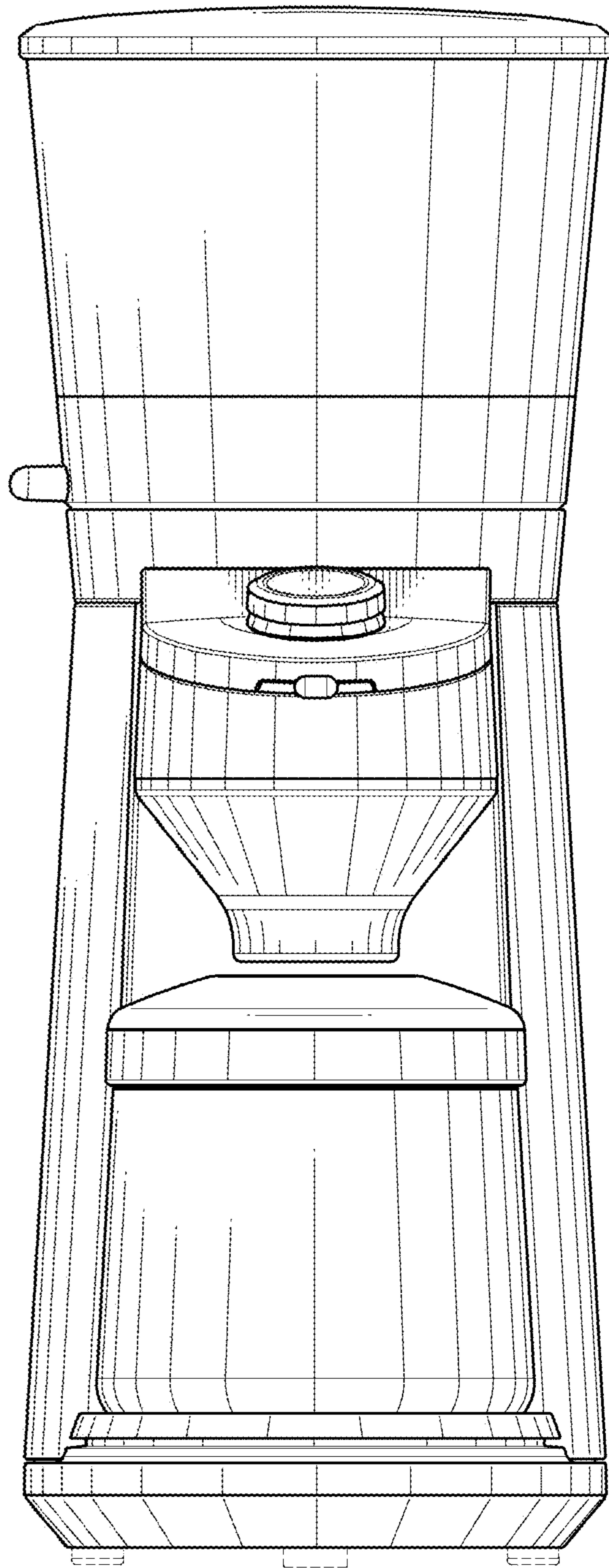


FIG. 3

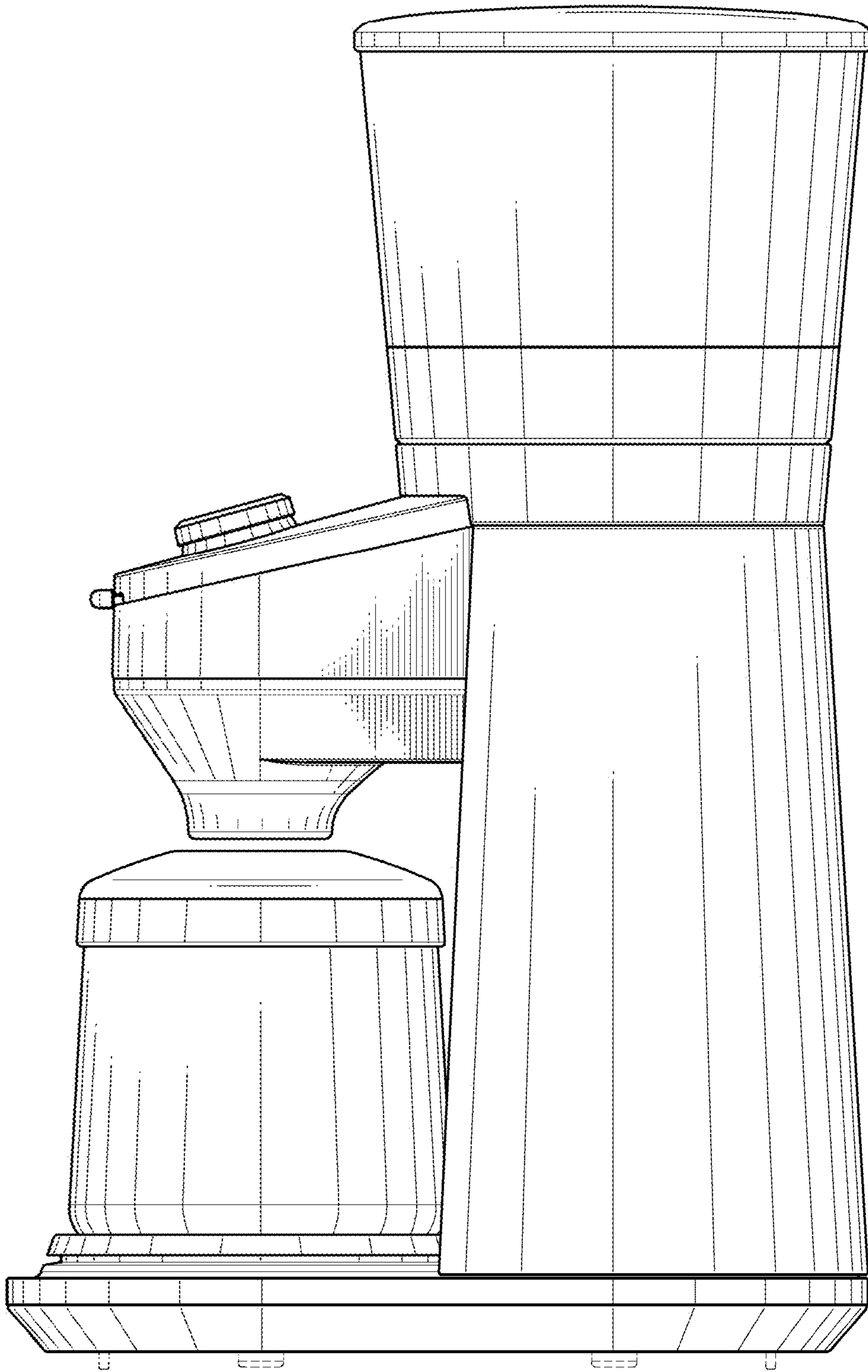


FIG. 4

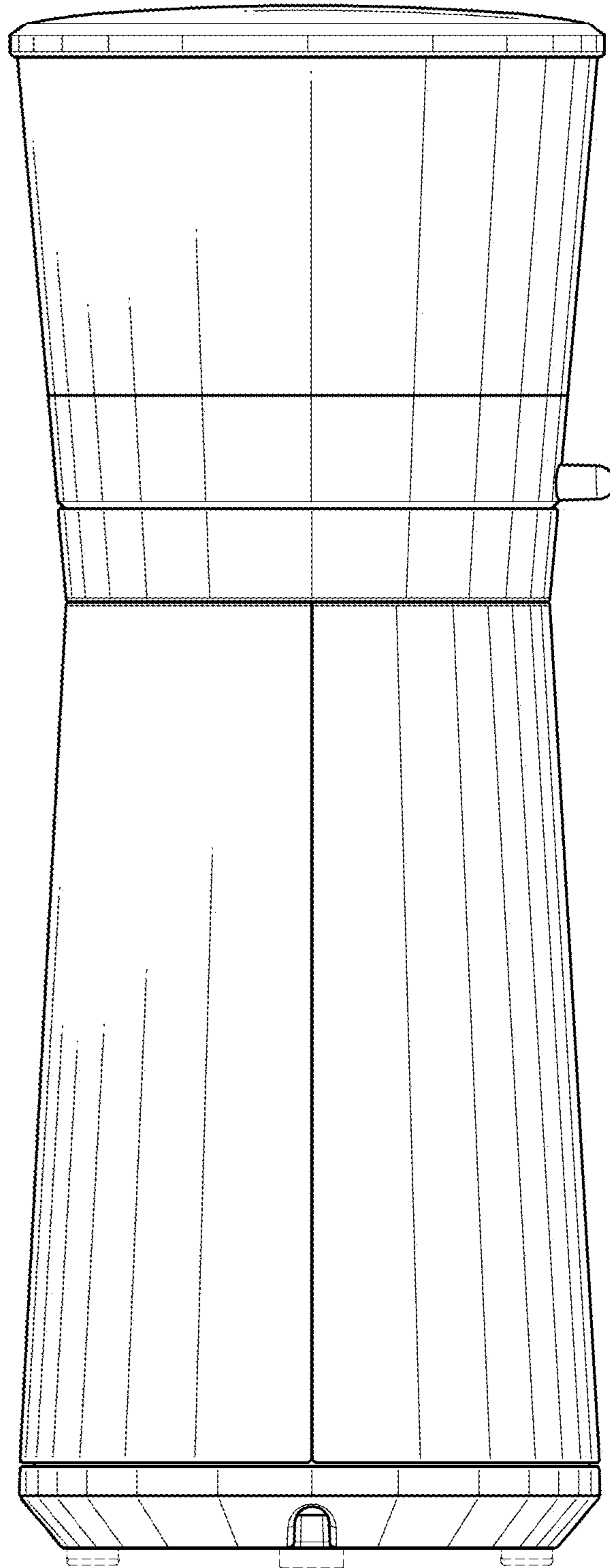


FIG. 5

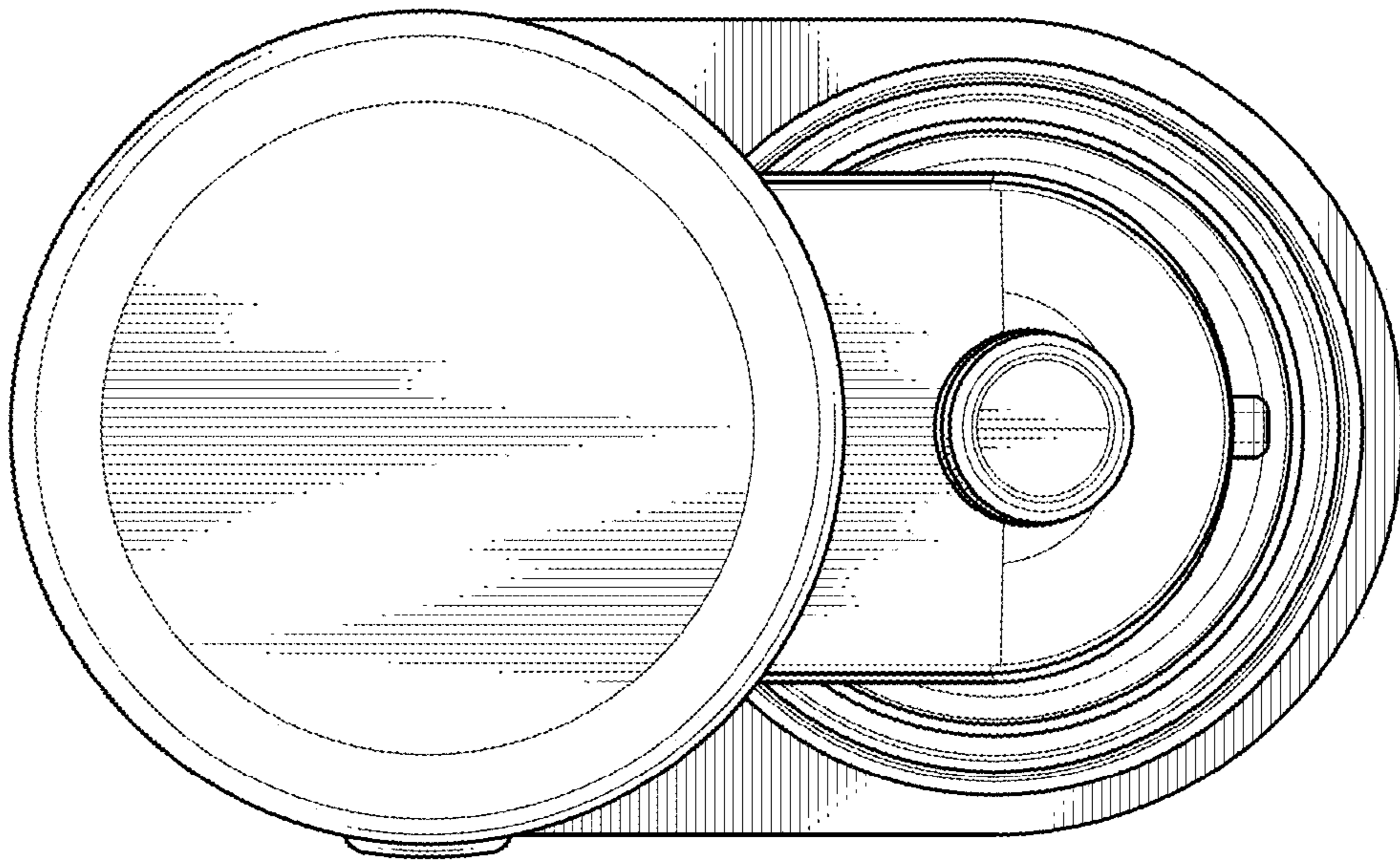


FIG. 6

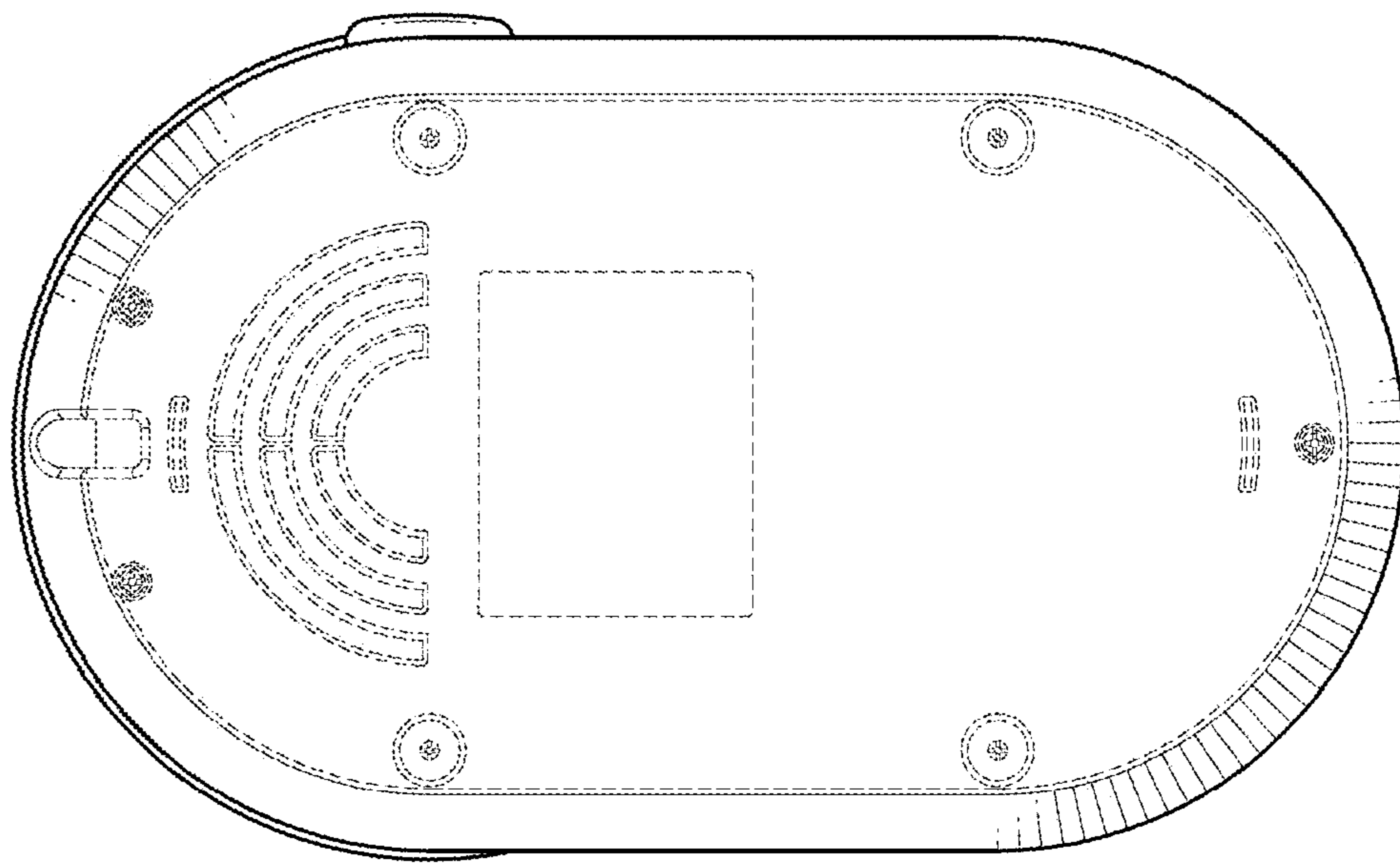


FIG. 7