



US00D764861S

(12) **United States Design Patent** (10) **Patent No.:** **US D764,861 S**  
**Lee** (45) **Date of Patent:** **\*\* Aug. 30, 2016**

(54) **INFRARED HEATING COOKER**  
(71) Applicant: **Jin Hee Lee**, Seoul (KR)  
(72) Inventor: **Jin Hee Lee**, Seoul (KR)  
(\*\*) Term: **14 Years**  
(21) Appl. No.: **29/526,254**  
(22) Filed: **May 7, 2015**  
(30) **Foreign Application Priority Data**  
Mar. 12, 2015 (KR) ..... 30-2015-0012435  
(51) **LOC (10) Cl.** ..... **07-02**  
(52) **U.S. Cl.**  
USPC ..... **D7/362; D7/352**  
(58) **Field of Classification Search**  
USPC ..... D7/323, 337, 339, 341, 352, 354-359,  
D7/362-367, 409-411  
CPC ..... A21B 1/06; A21B 1/50; A21B 1/52;  
A47J 37/04; A47J 37/06; A47J 37/015;  
A47J 37/067; A47J 37/0611; A47J 37/0629;  
A47J 37/0676; A47J 37/108; F24C 7/06;  
F24C 7/083; F24C 15/02; F24C 15/166;  
H05B 3/20; H05B 3/40  
See application file for complete search history.

(56) **References Cited**  
U.S. PATENT DOCUMENTS  
D335,006 S \* 4/1993 Blasbalg ..... D30/127  
D439,792 S \* 4/2001 Hedrington ..... D7/323  
6,561,128 B1 \* 5/2003 Carter ..... A01K 39/0113  
119/52.3

6,598,598 B1 \* 7/2003 Bratsikas ..... A47J 37/067  
126/25 R  
D661,542 S \* 6/2012 Lee ..... D7/362  
D695,059 S \* 12/2013 Mehler ..... D7/354  
8,640,607 B2 \* 2/2014 Lee ..... A47J 37/0605  
99/357  
8,761,588 B2 \* 6/2014 Lee ..... A47J 37/0629  
219/385  
D743,733 S \* 11/2015 Lee ..... D7/362  
D743,734 S \* 11/2015 Lee ..... D7/362  
D749,906 S \* 2/2016 Lee ..... D7/362  
2009/0095168 A1 \* 4/2009 Shu ..... A47J 37/108  
99/425  
2010/0229733 A1 \* 9/2010 Castillo ..... A47J 37/0676  
99/448

\* cited by examiner

*Primary Examiner* — Ricky Pham  
(74) *Attorney, Agent, or Firm* — Kile Park Reed & Houtteman PLLC

(57) **CLAIM**  
I claim, the ornamental design for an infrared heating cooker, as shown and described.

**DESCRIPTION**

FIG. 1 is a top and front perspective view of an infrared heating cooker, showing my new design; FIG. 2 is a front elevational view thereof; FIG. 3 is a rear elevational view thereof; FIG. 4 is a left side elevational view thereof; FIG. 5 is a right side elevational view thereof; FIG. 6 is a top plan view thereof; and, FIG. 7 is a bottom plan view thereof.

**1 Claim, 7 Drawing Sheets**

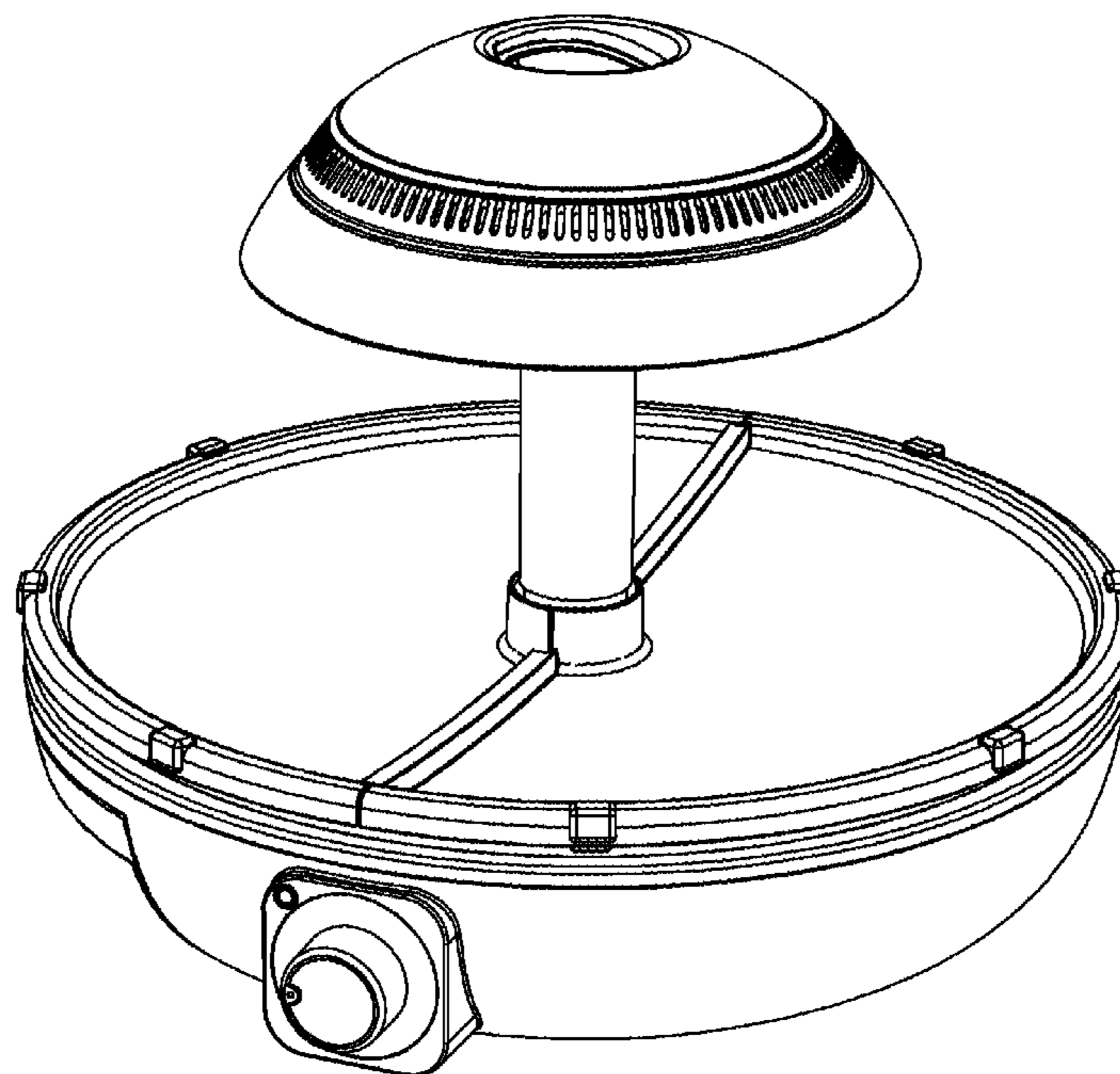


FIG. 1

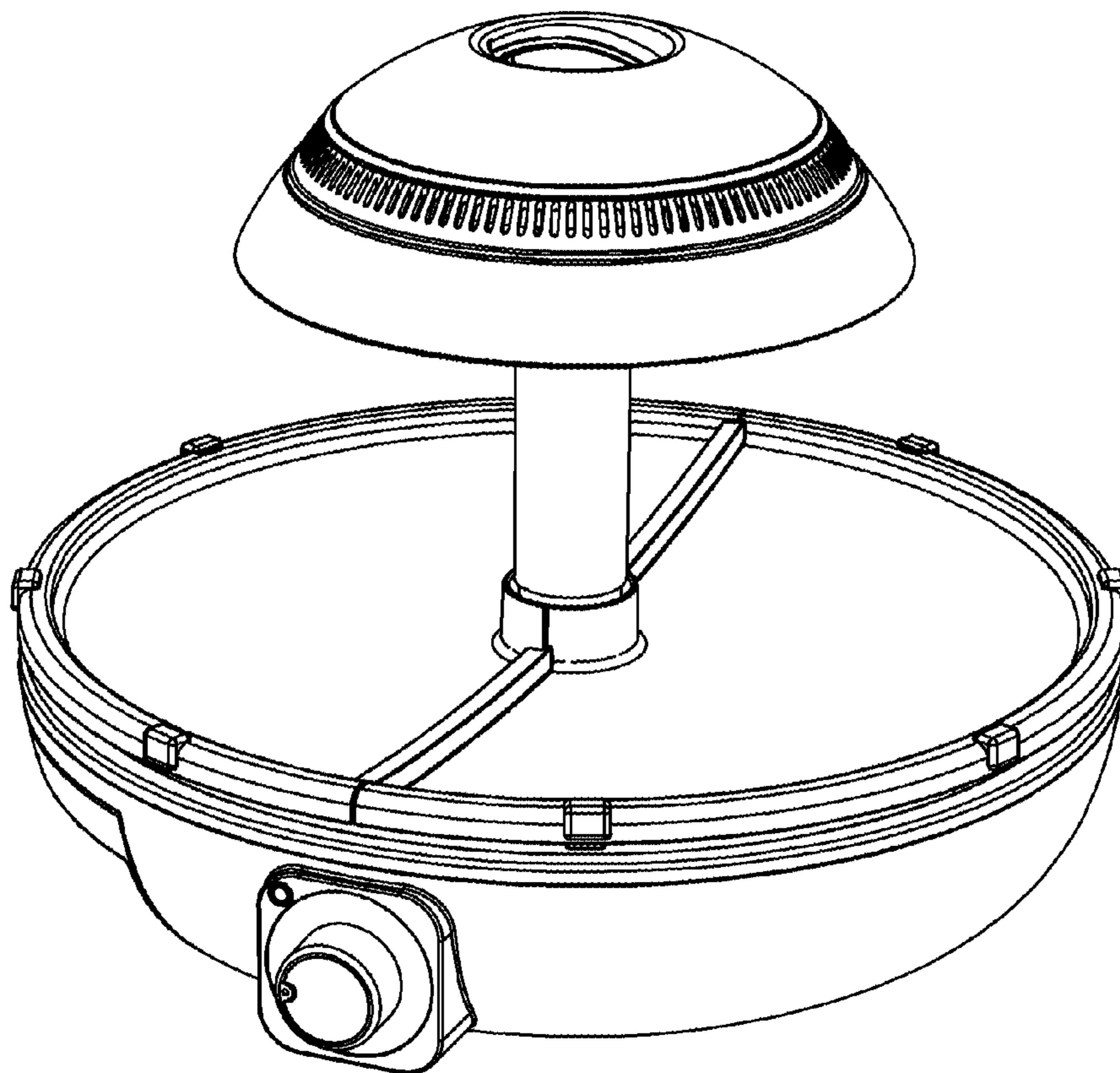


FIG. 2

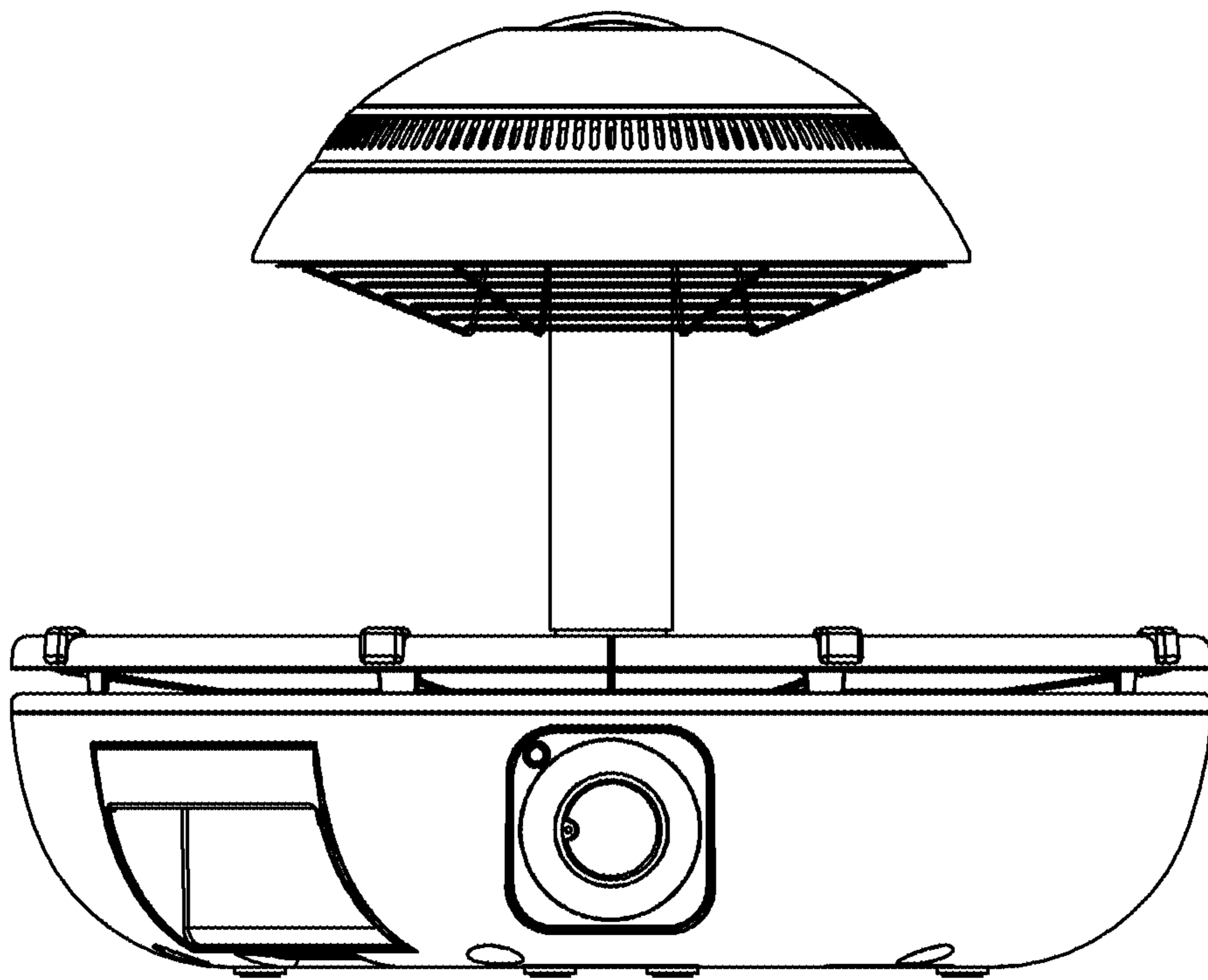


FIG. 3

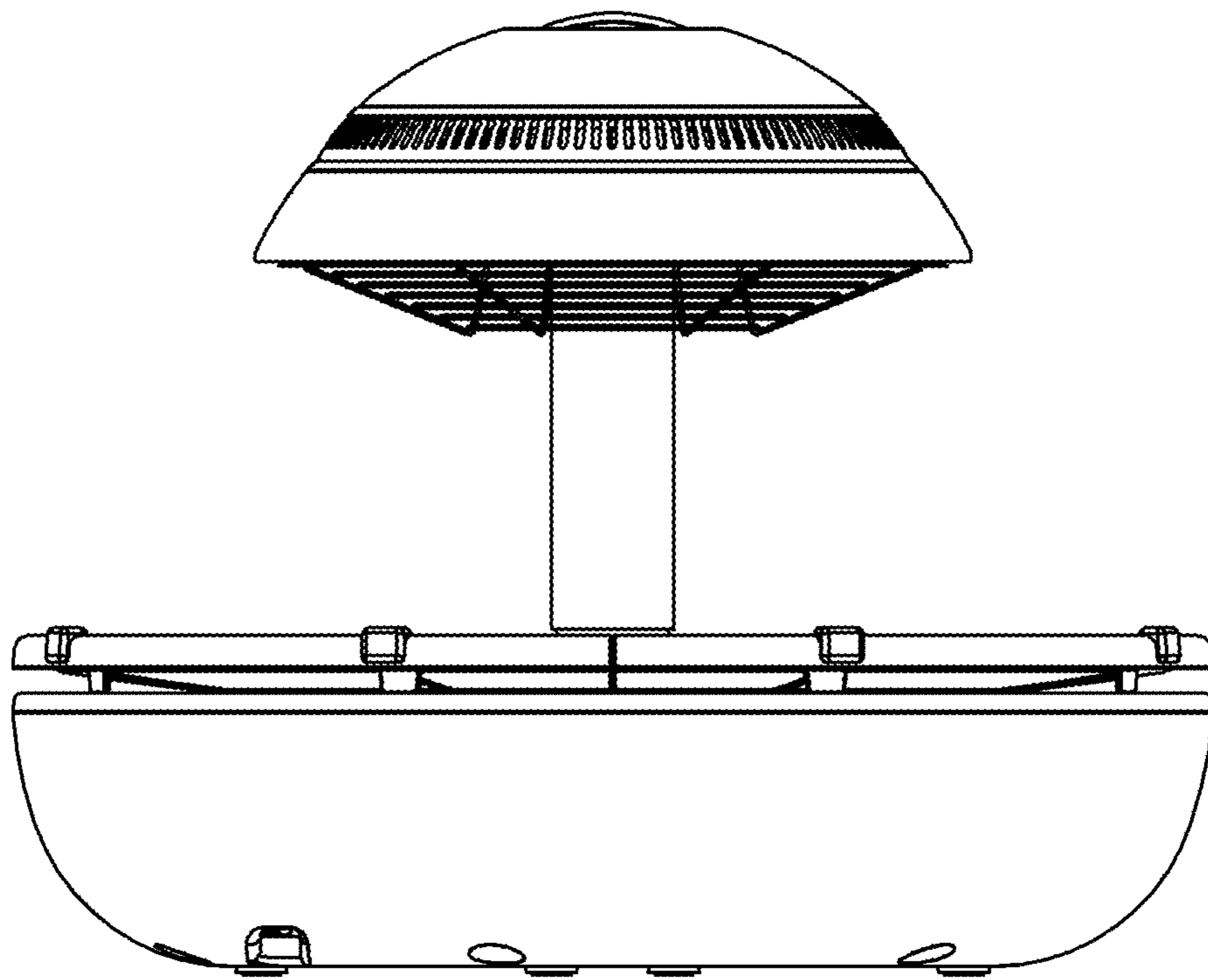


FIG. 4

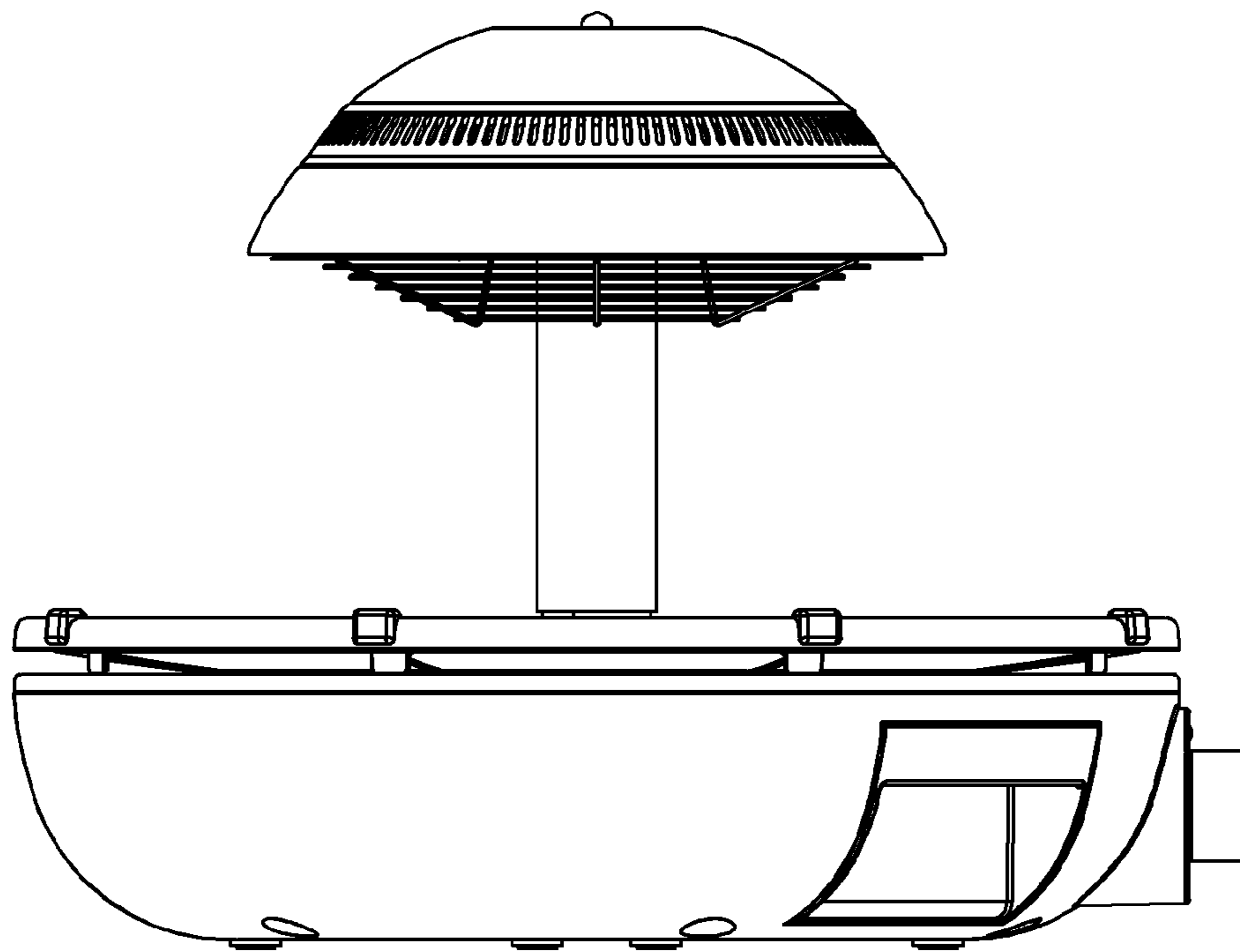


FIG. 5

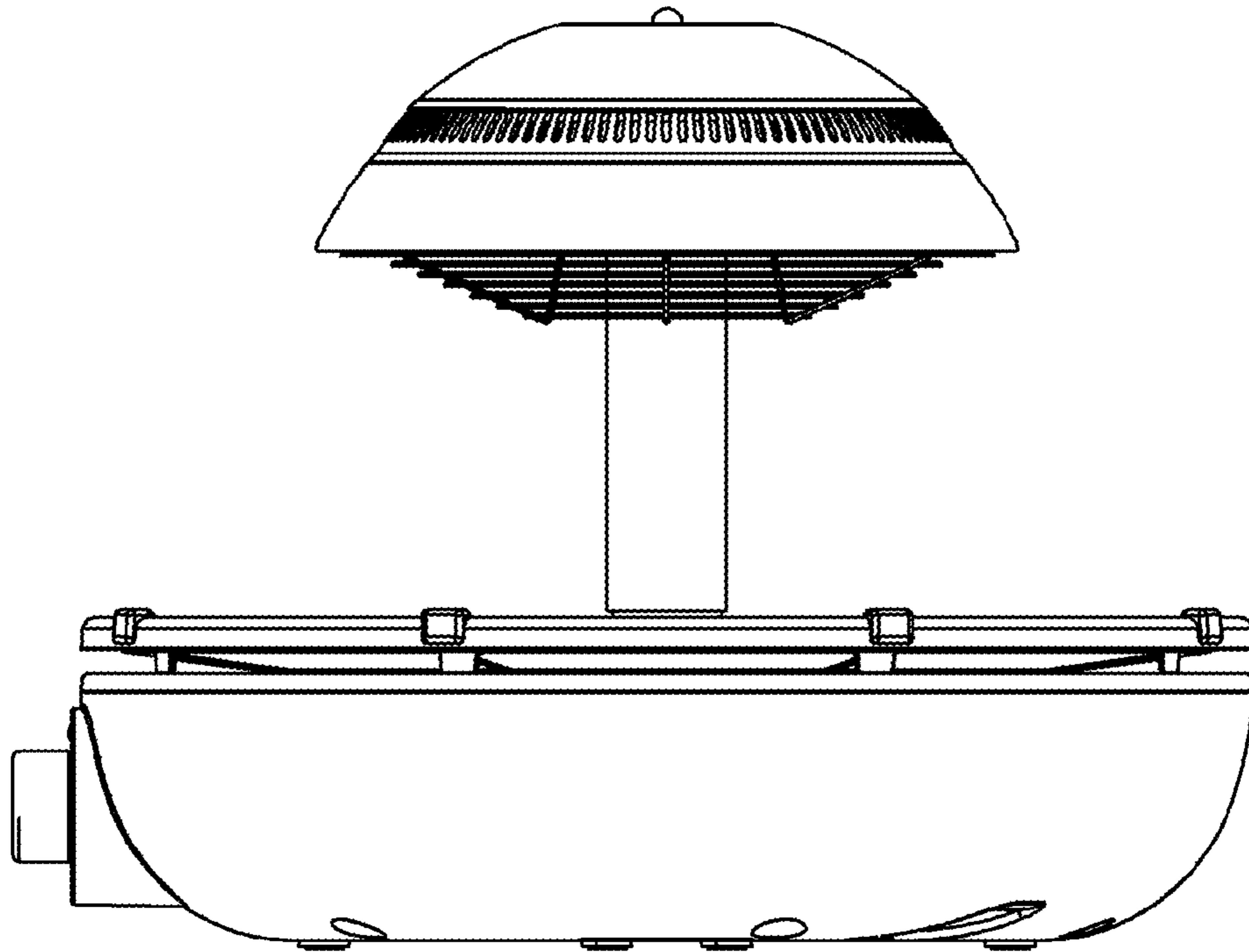


FIG. 6

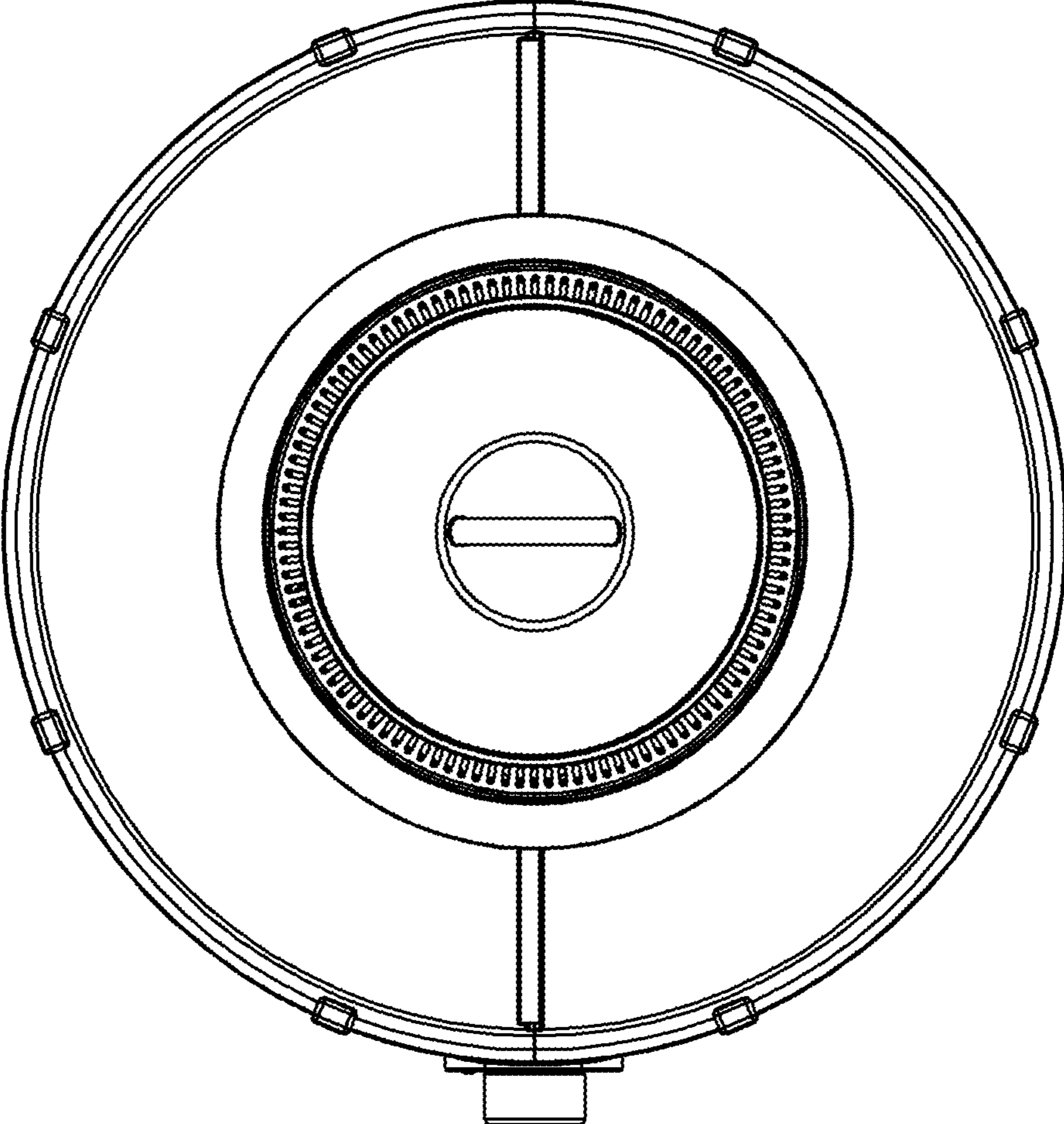


FIG. 7

