



US00D764859S

(12) **United States Design Patent**  
**Lee**

(10) **Patent No.:** **US D764,859 S**  
(45) **Date of Patent:** **\*\* Aug. 30, 2016**

(54) **INFRARED HEATING COOKER**

(71) Applicant: **Jin Hee Lee**, Seoul (KR)

(72) Inventor: **Jin Hee Lee**, Seoul (KR)

(\*\*) Term: **14 Years**

(21) Appl. No.: **29/526,234**

(22) Filed: **May 7, 2015**

(30) **Foreign Application Priority Data**

Jan. 15, 2015 (KR) ..... 30-2015-0001964

(51) **LOC (10) Cl.** ..... **07-02**

(52) **U.S. Cl.**

USPC ..... **D7/362**; D7/352

(58) **Field of Classification Search**

USPC ..... D7/323, 337, 339, 341, 352, 354-359,  
D7/362-367, 409-411

CPC ..... A21B 1/06; A21B 1/50; A21B 1/52;

A47J 37/04; A47J 37/06; A47J 37/015;

A47J 37/067; A47J 37/0611; A47J 37/0629;

A47J 37/0676; A47J 37/108; F24C 7/06;

F24C 7/083; F24C 15/02; F24C 15/166;

H05B 3/20; H05B 3/40

See application file for complete search history.

(56) **References Cited**

**U.S. PATENT DOCUMENTS**

D379,051 S \* 5/1997 Jacquemin ..... D7/352

D439,792 S \* 4/2001 Hedrington ..... D7/323

D458,078 S *	6/2002	Lin	.....	D7/362
D653,904 S *	2/2012	Lee	.....	D7/362
D684,808 S *	6/2013	Mehler	.....	D7/354
D688,086 S *	8/2013	Lee	.....	D7/362
D688,087 S *	8/2013	Lee	.....	D7/362
D688,088 S *	8/2013	Lee	.....	D7/362
D688,089 S *	8/2013	Lee	.....	D7/362
D688,090 S *	8/2013	Lee	.....	D7/362
D695,059 S *	12/2013	Mehler	.....	D7/354
D749,906 S *	2/2016	Lee	.....	D7/362
2009/0095168 A1 *	4/2009	Shu	.....	A47J 37/108 99/425

\* cited by examiner

*Primary Examiner* — Ricky Pham

(74) *Attorney, Agent, or Firm* — Kile Park Reed & Houtteman PLLC

(57) **CLAIM**

The ornamental design for an infrared heating cooker, as shown and described.

**DESCRIPTION**

FIG. 1 is a top and front perspective view of an infrared heating cooker, showing my new design;

FIG. 2 is a front view thereof;

FIG. 3 is a rear view thereof;

FIG. 4 is a left side view thereof;

FIG. 5 is a right side view thereof;

FIG. 6 is a top plan view thereof; and,

FIG. 7 is a bottom plan view thereof.

**1 Claim, 7 Drawing Sheets**

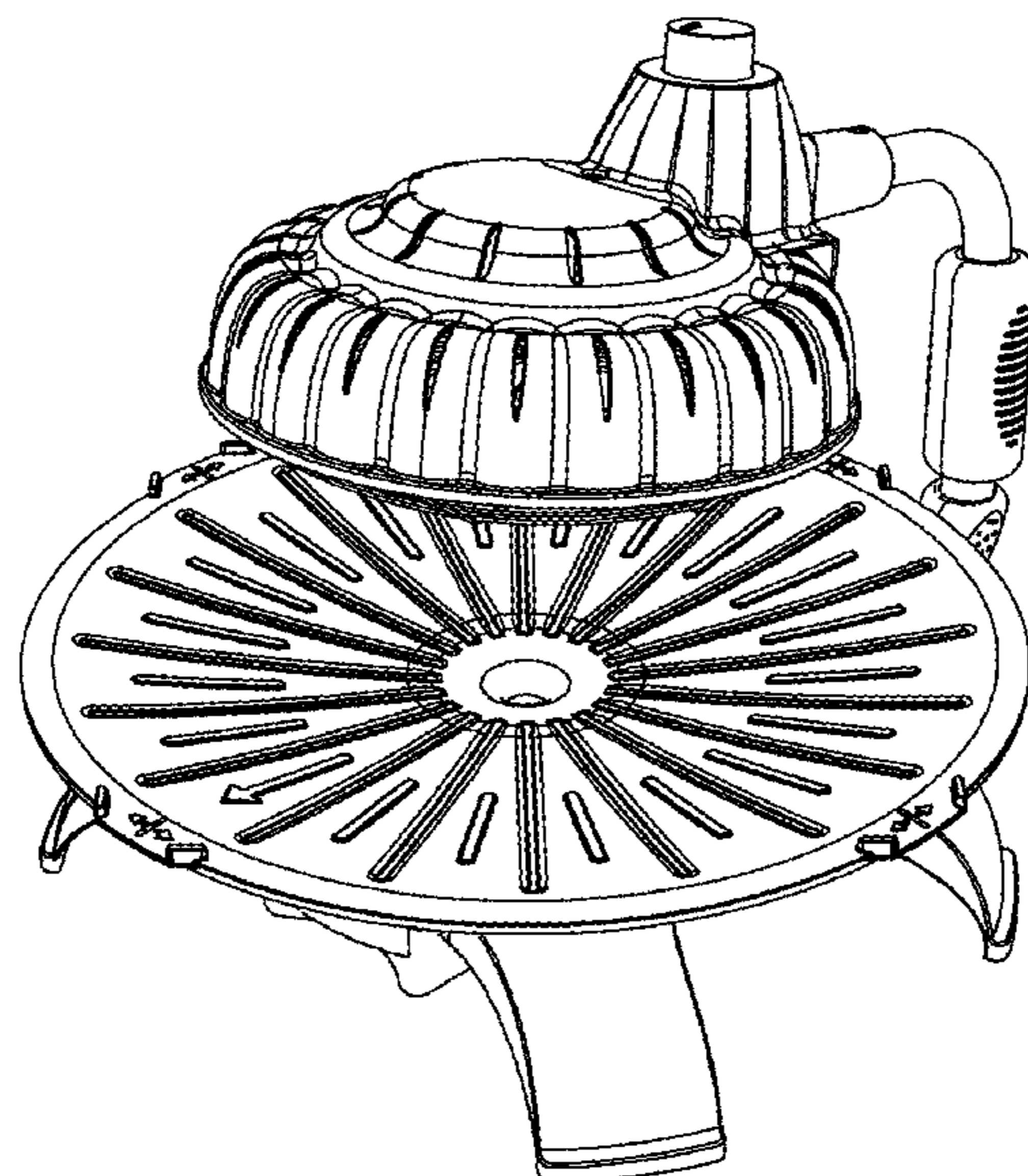


FIG. 1

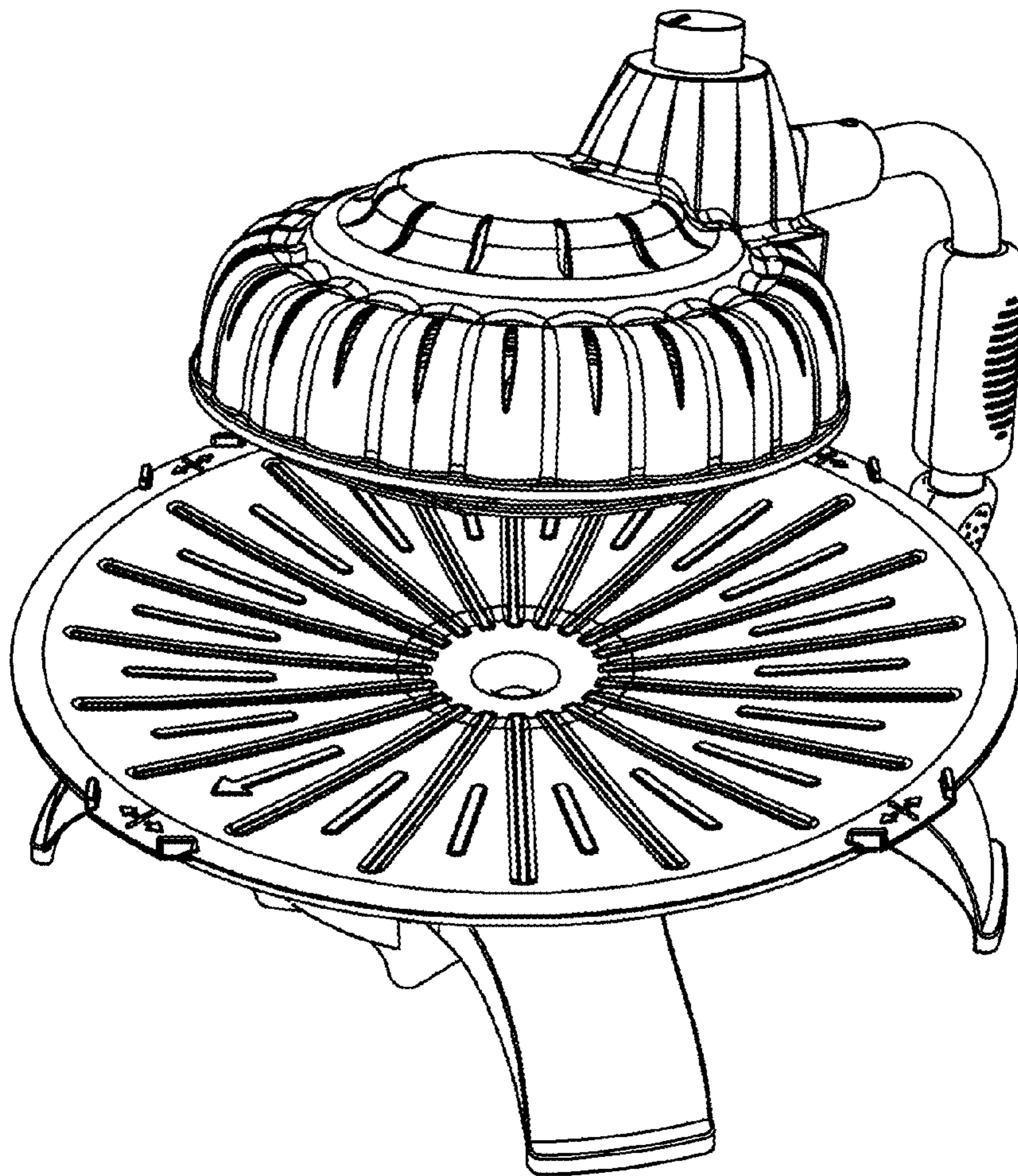


FIG. 2

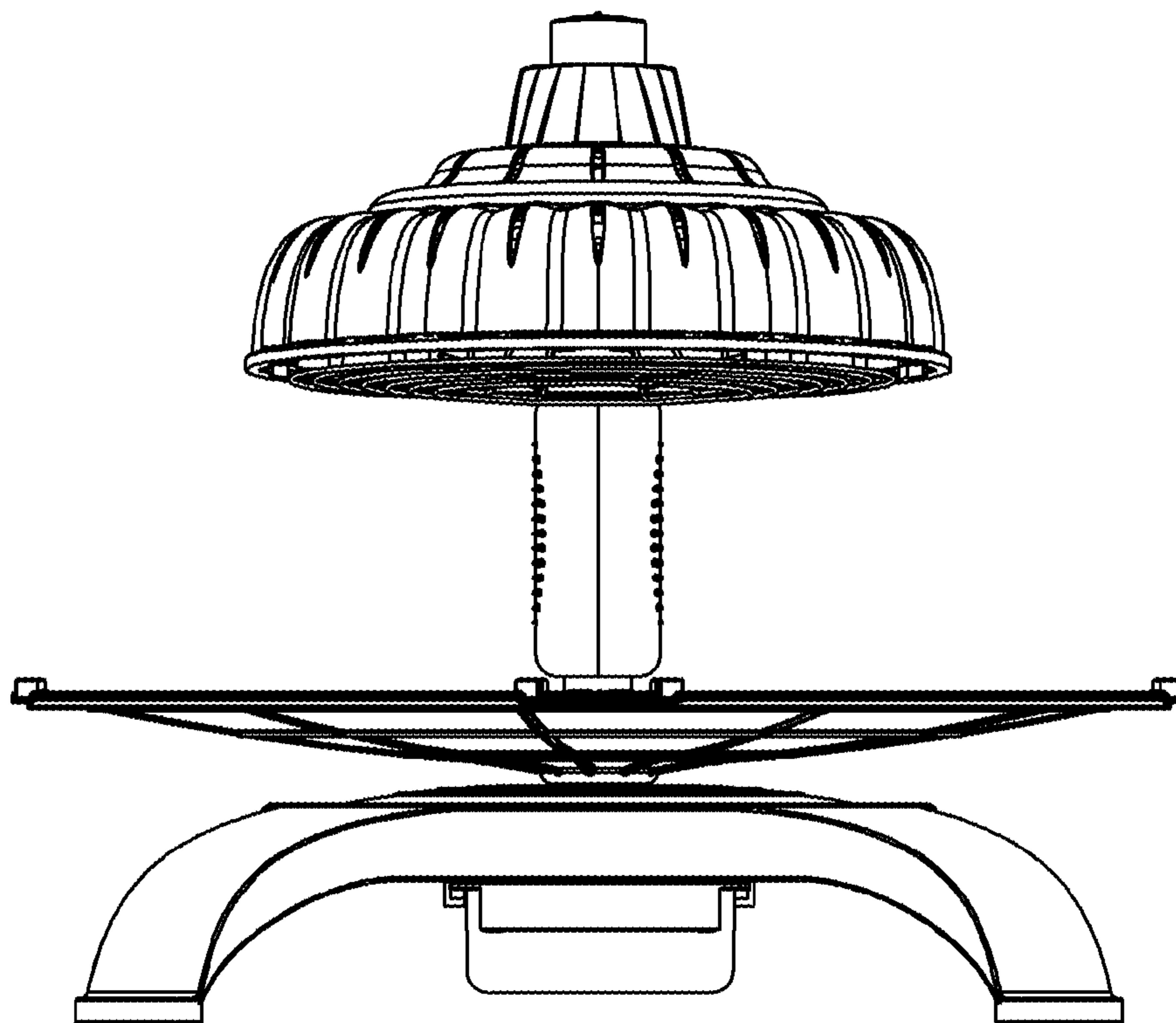


FIG. 3

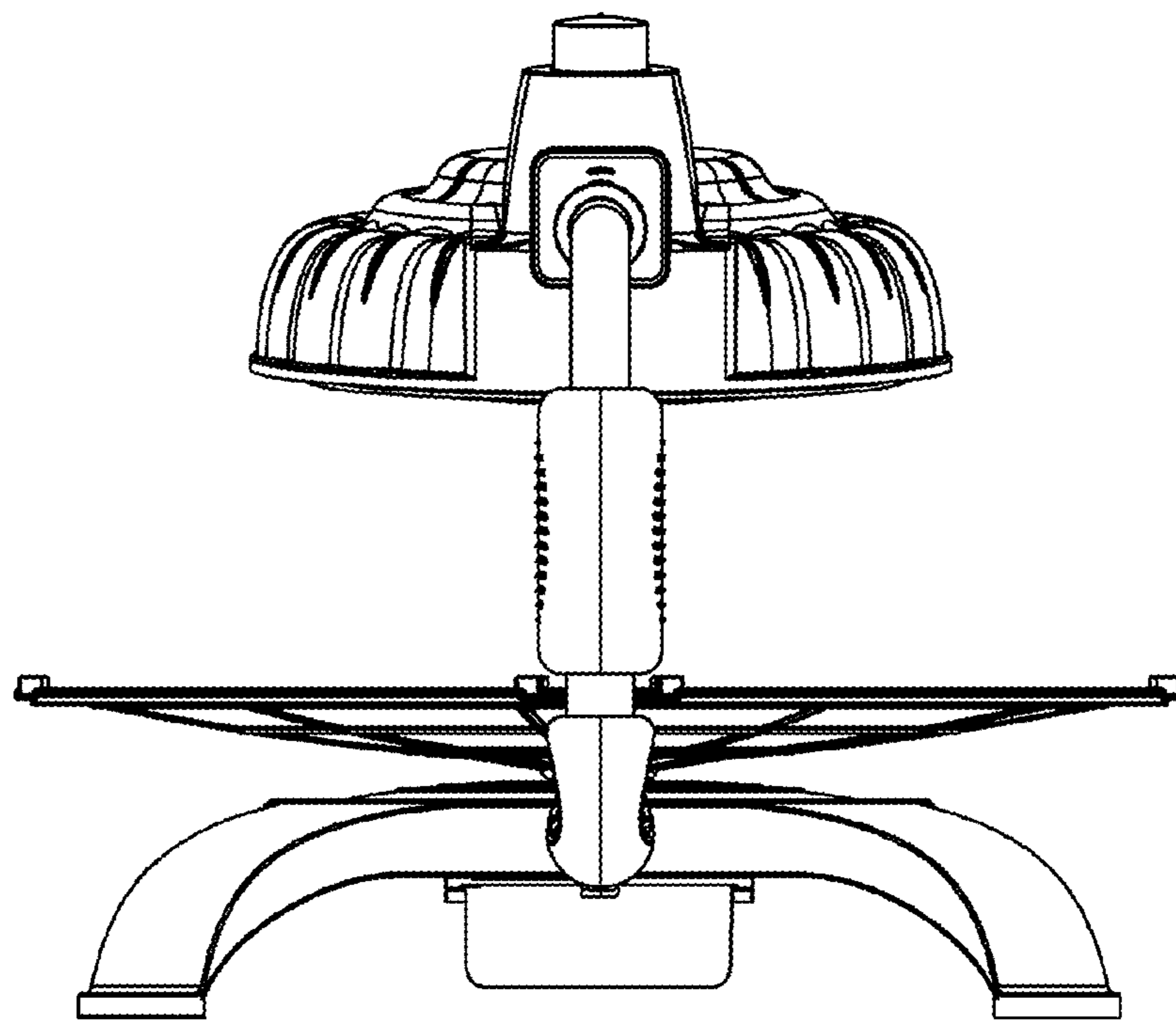


FIG. 4

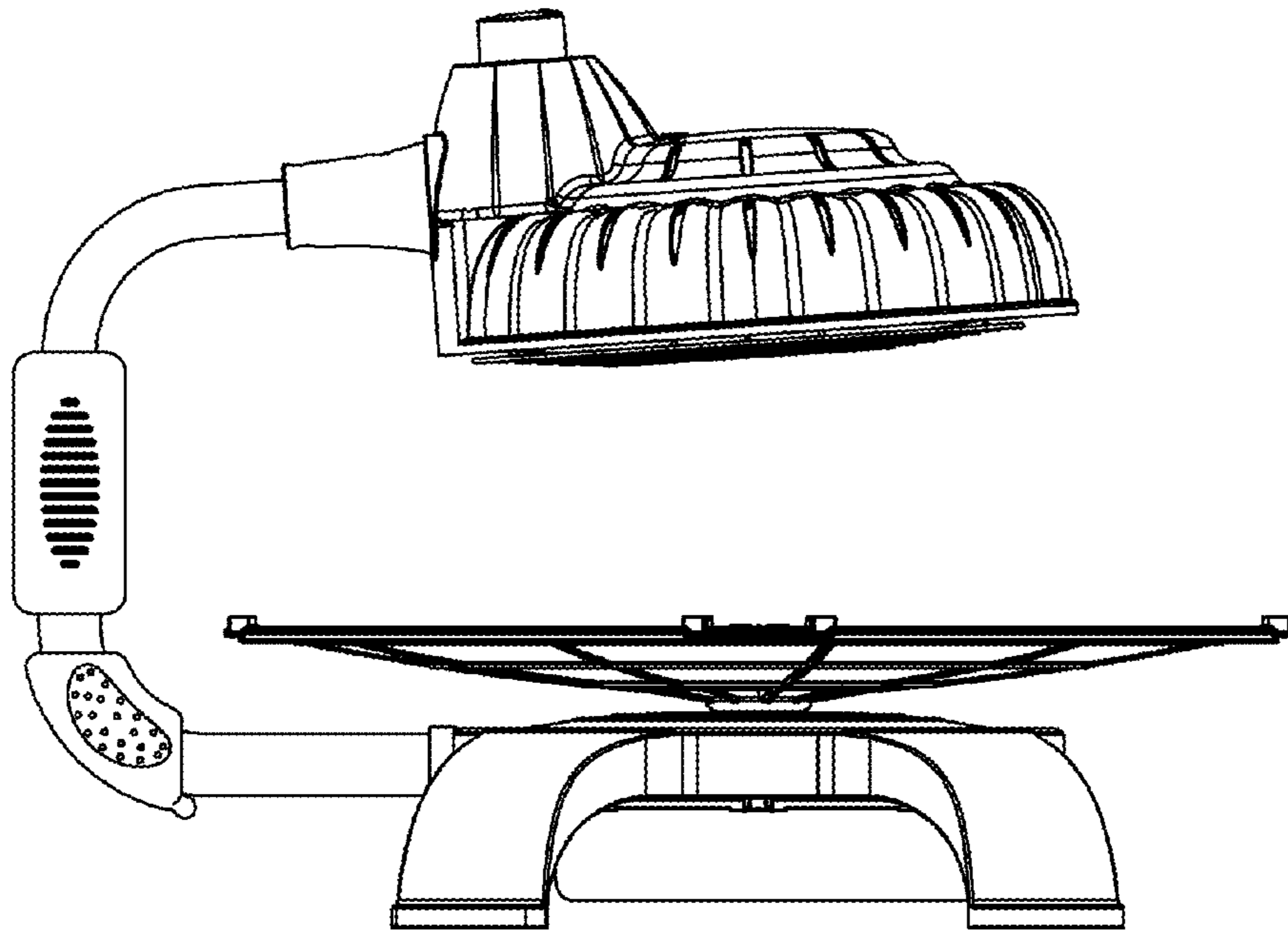


FIG. 5

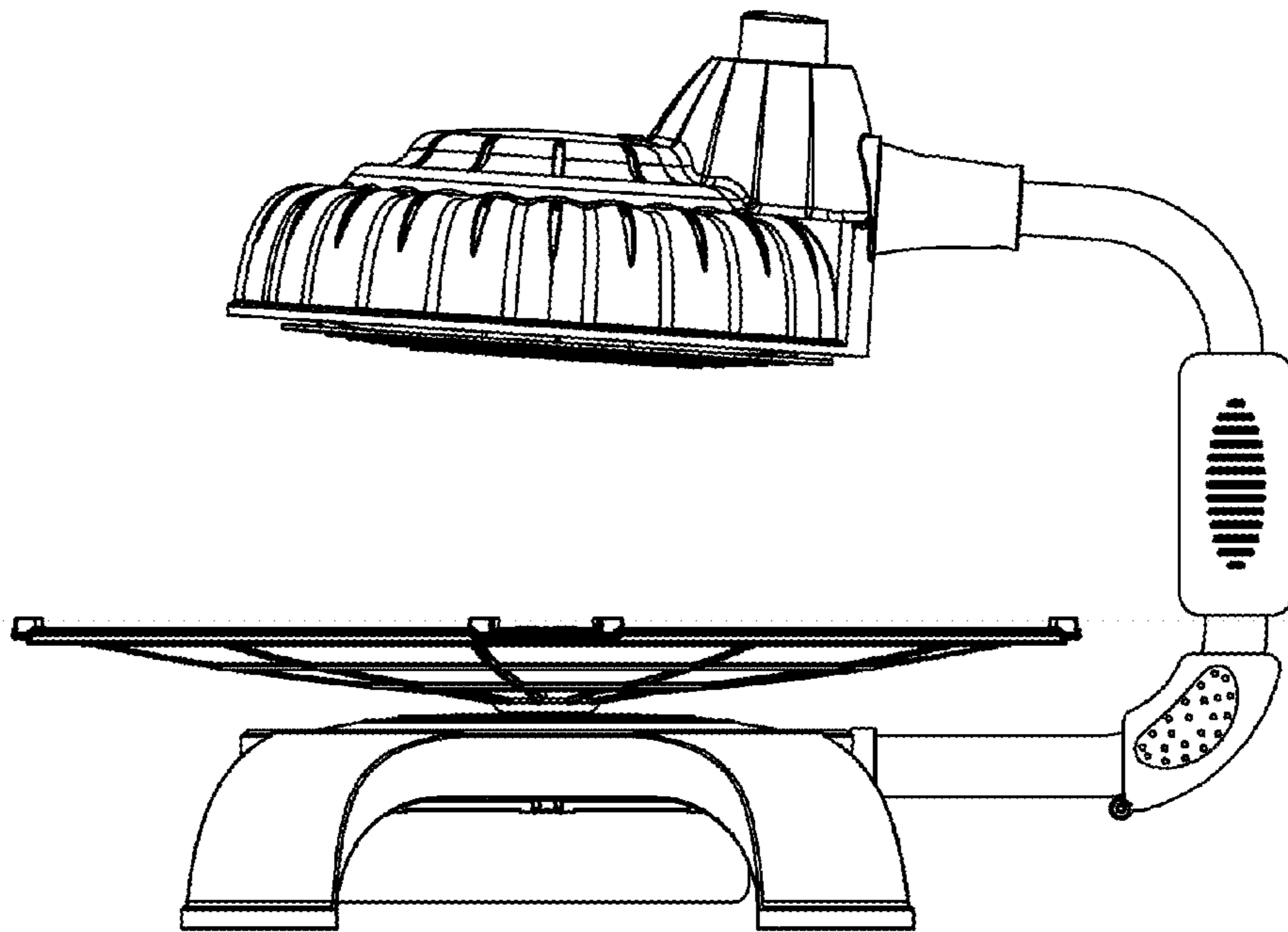


FIG. 6

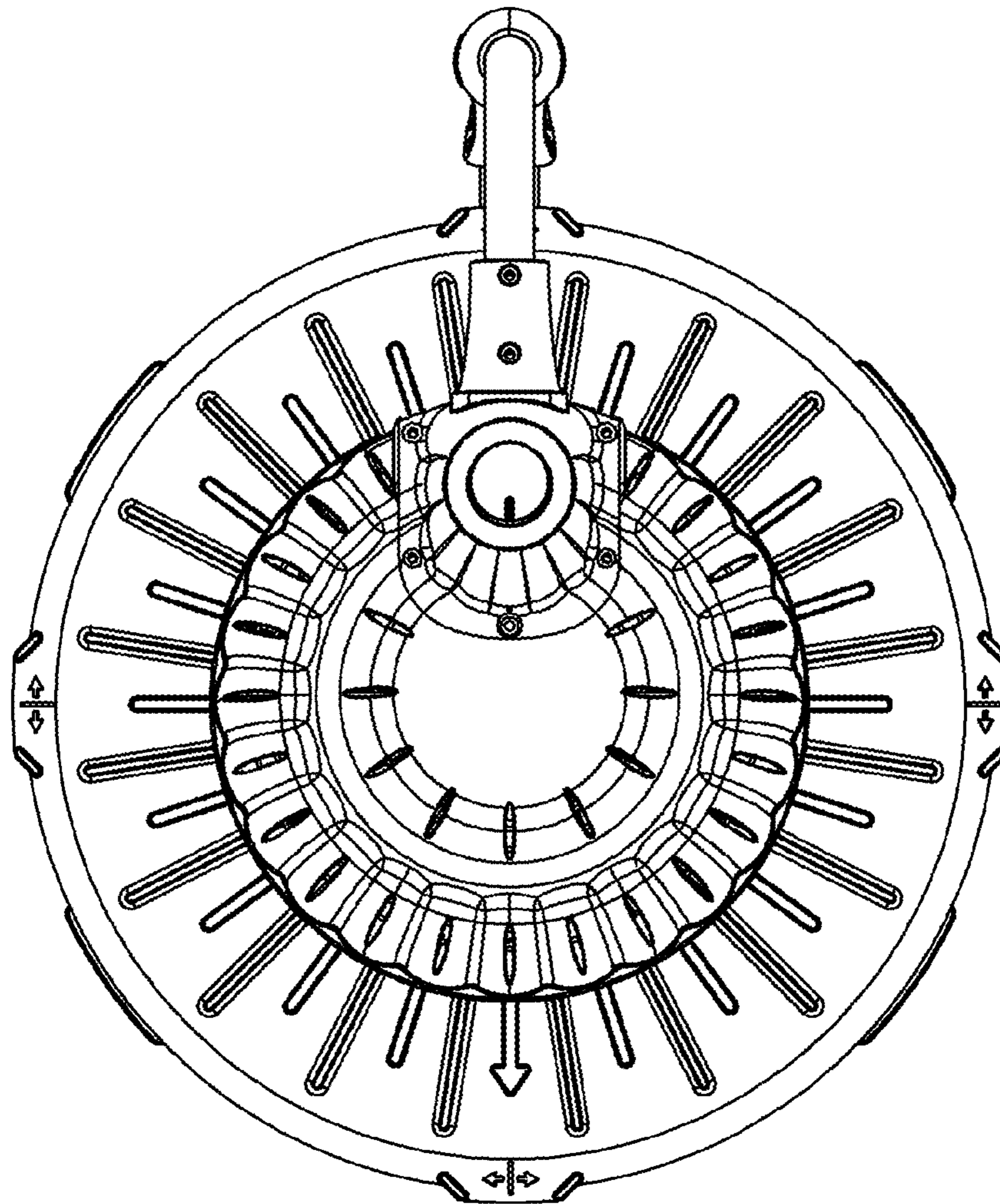


FIG. 7

