

US00D764858S

(12) **United States Design Patent** (10) **Patent No.:** **US D764,858 S**
Whitehead et al. (45) **Date of Patent:** **** Aug. 30, 2016**

(54) **GRILL PAN**
(71) Applicant: **Finex Cast Iron Works, Inc.**, Portland, OR (US)
(72) Inventors: **Mike Whitehead**, Portland, OR (US); **Patrick A. Scranton**, Vancouver, WA (US)
(73) Assignee: **Finex Cast Iron Works, Inc.**, Portland, OR (US)

D258,189 S 2/1981 Miller
D296,409 S 6/1988 Pomroy
D297,604 S * 9/1988 Hagberg D7/359
D414,981 S * 10/1999 Roskind D7/359
6,029,843 A 2/2000 Kroscher et al.
D423,279 S 4/2000 Barker
D427,842 S * 7/2000 Iacchetti D7/359
6,298,775 B1 * 10/2001 Chen A47J 45/061
16/111.1

(Continued)

(**) Term: **14 Years**

(21) Appl. No.: **29/524,587**

(22) Filed: **Apr. 21, 2015**

(51) **LOC (10) Cl.** **07-02**

(52) **U.S. Cl.**
USPC **D7/361**; D7/354; D7/360

(58) **Field of Classification Search**
USPC D7/323, 354–363, 391, 393–396, 409
CPC A47G 19/12; A47J 27/00; A47J 27/002;
A47J 27/08; A47J 27/21; A47J 27/58;
A47J 36/025; A47J 36/06; A47J 36/12;
A47J 37/00; A47J 37/0676; A47J 37/10;
A47J 37/101; A47J 37/103; A47J 37/12;
A47J 37/1204; A47J 45/061; A47J 45/071;
A47J 45/08; H05B 6/12
See application file for complete search history.

(56) **References Cited**

U.S. PATENT DOCUMENTS

D29,714 S * 11/1898 Hall D7/359
1,591,291 A * 7/1926 Detwiler A47J 37/0676
99/446
D85,804 S * 12/1931 Axford D7/359
D204,996 S 6/1966 Lepoix
3,717,478 A 2/1973 Lipfert

OTHER PUBLICATIONS

“Copper Octagonal 24 cm Pan,” Noble Traders Co Ltd, Available at http://www.alibaba.com/produd-detail/Copper-Octagonal-24-cm-Pan_114723130.html, Available as early as Oct. 15, 2013, 4 pages.

(Continued)

Primary Examiner — Ricky Pham

(74) *Attorney, Agent, or Firm* — Alleman Hall McCoy Russell & Tuttle LLP

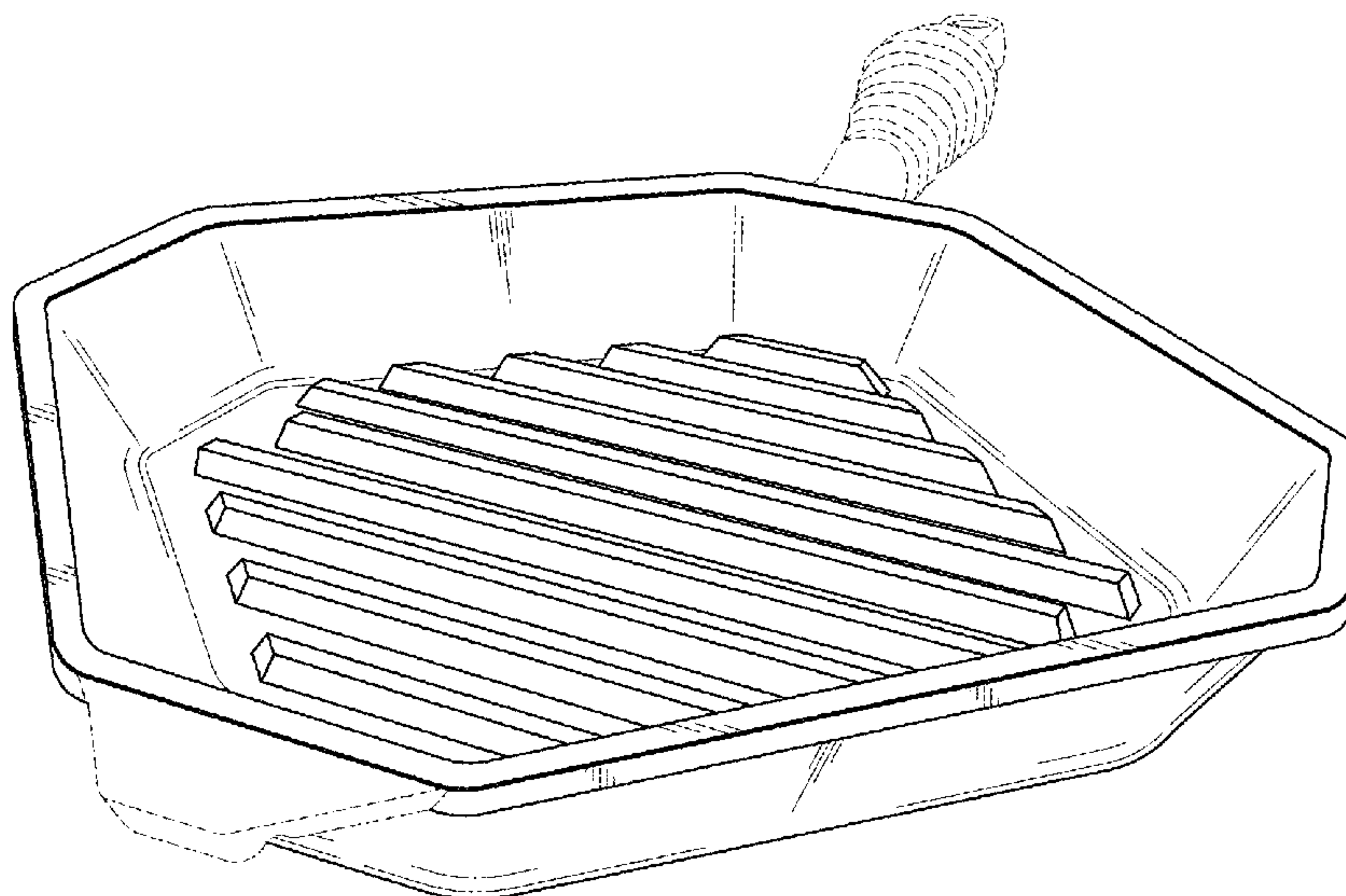
(57) **CLAIM**

The ornamental design for a grill pan, as shown and described.

DESCRIPTION

FIG. 1 is a top perspective view of a grill pan according to the present invention.
FIG. 2 is a right side view of the grill pan of FIG. 1, the left side view being a mirror image thereof.
FIG. 3 is a front view of the grill pan of FIG. 1.
FIG. 4 is a rear view of the grill pan of FIG. 1.
FIG. 5 is a top view of the grill pan of FIG. 1; and, FIG. 6 is a bottom view of the grill pan of FIG. 1.
The dashed lines illustrate a handle and a lifting tab that may be attached to the grill pan, and form no part of the claimed design.

1 Claim, 3 Drawing Sheets



(56)

References Cited

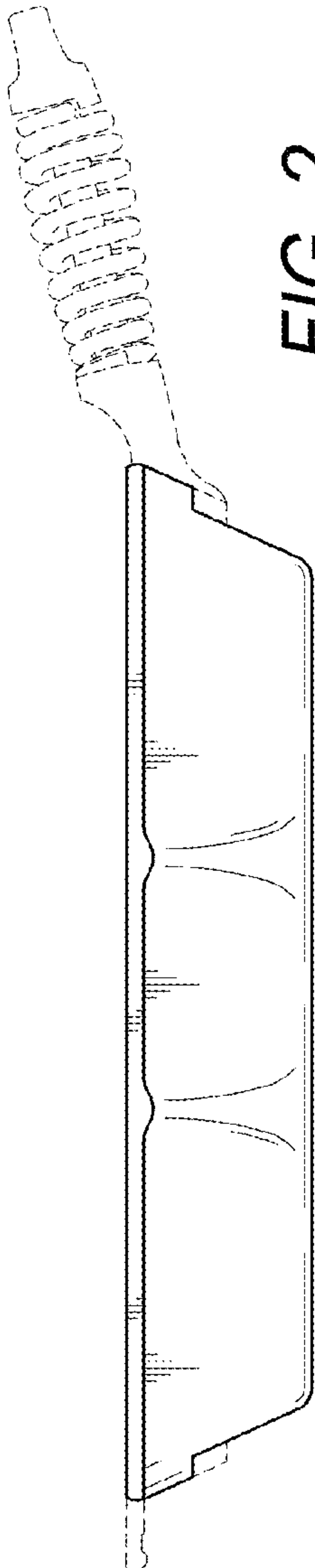
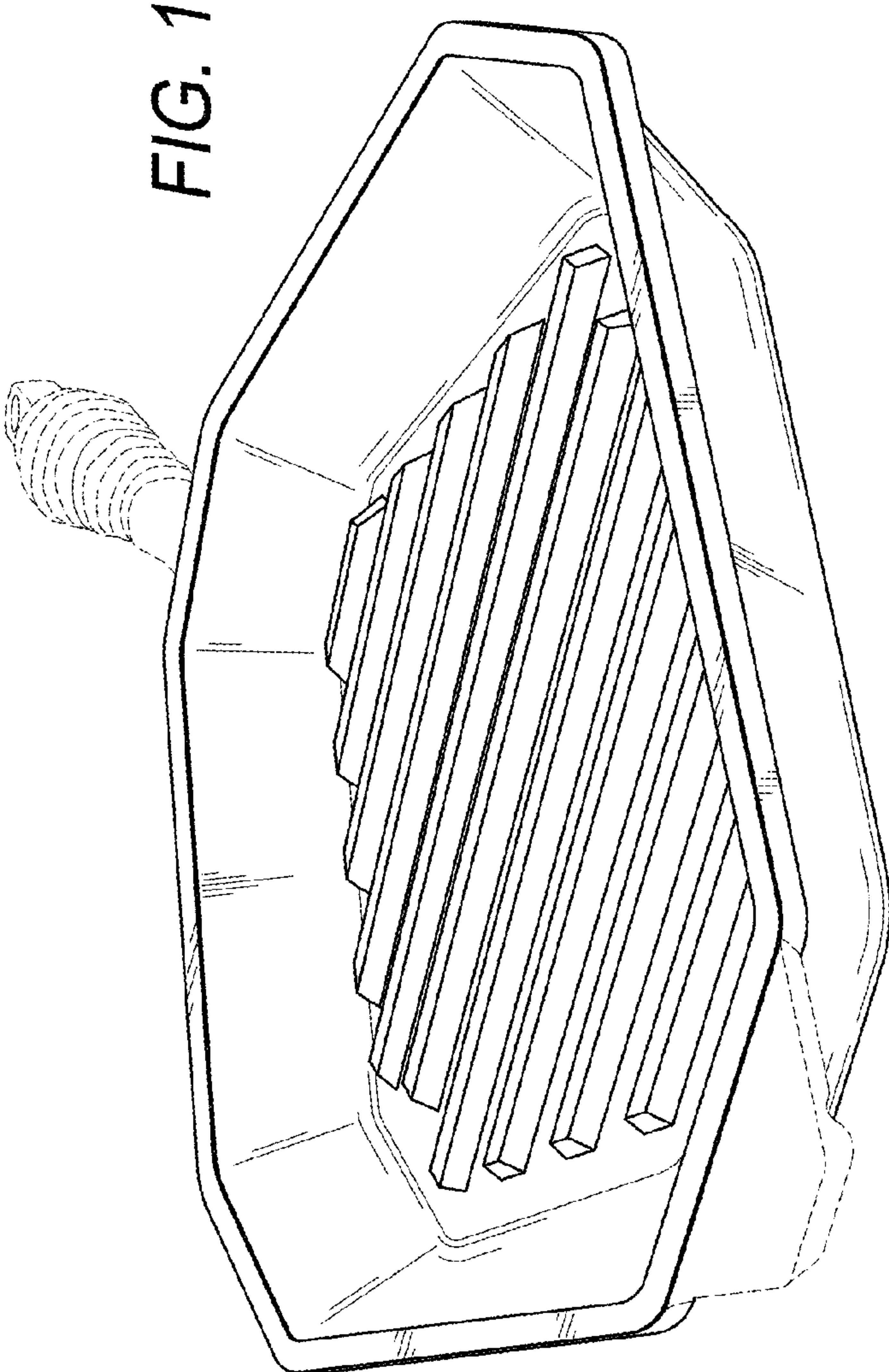
U.S. PATENT DOCUMENTS

D470,711 S * 2/2003 Kloppsteck D7/359
D511,929 S * 11/2005 Coppi D7/359
D525,078 S * 7/2006 Hoenstein D7/359
D528,354 S * 9/2006 Lin D7/361
D672,604 S 12/2012 Upston et al.
D699,506 S * 2/2014 Lee D7/354
D717,586 S * 11/2014 Whitehead D7/354

OTHER PUBLICATIONS

“Octagon Pan,” Firecrystals, Available at <http://www.firecrystals.com/Octagon-Pan-p/17105aa.htm>, Available as early as Oct. 15, 2013, 2 pages.
“Vintage Cake Pans Octagon and Square Bundt Pan,” Macandmarys, Etsy, Inc., Available at http://www.etsy.com/isting/128218208/vintage-cake-pans-octagon-and-squareref=sr_gallery_5&ga_search_query=octagon&ga_search_type=vintage&ga_view_type=gallery, Available as early as Oct. 15, 2013, 2 pages.

* cited by examiner



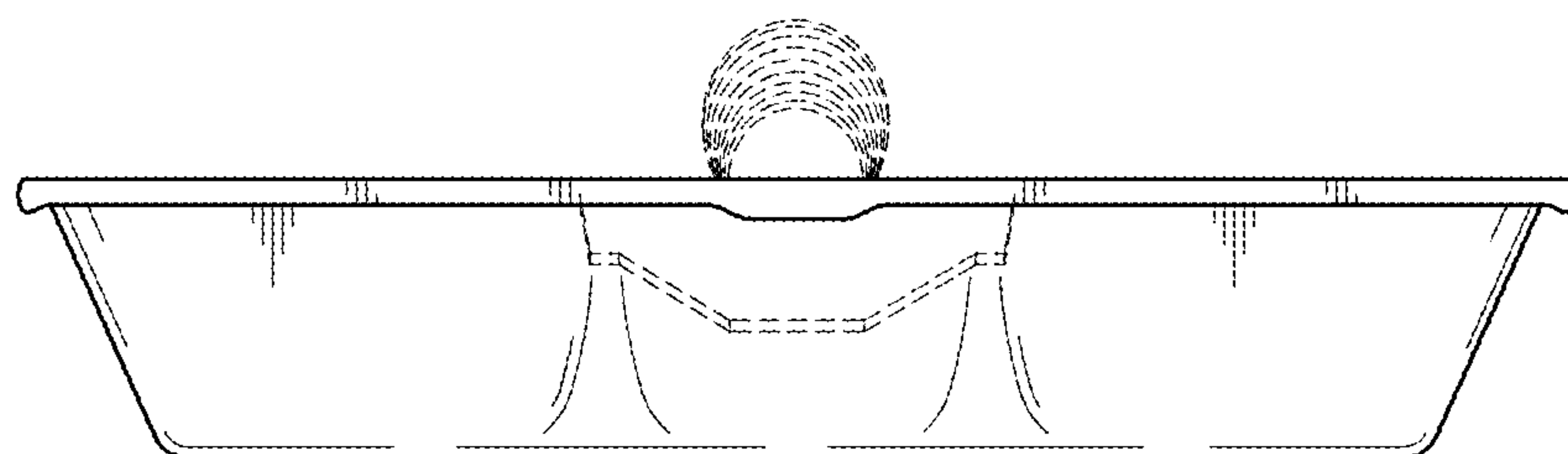


FIG. 3

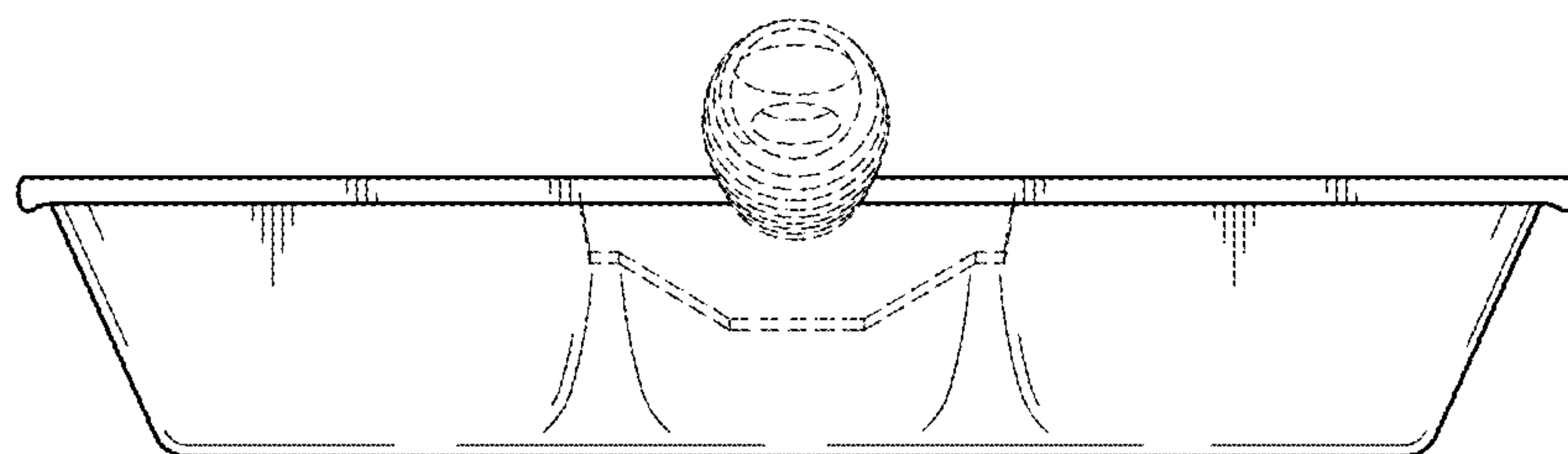


FIG. 4

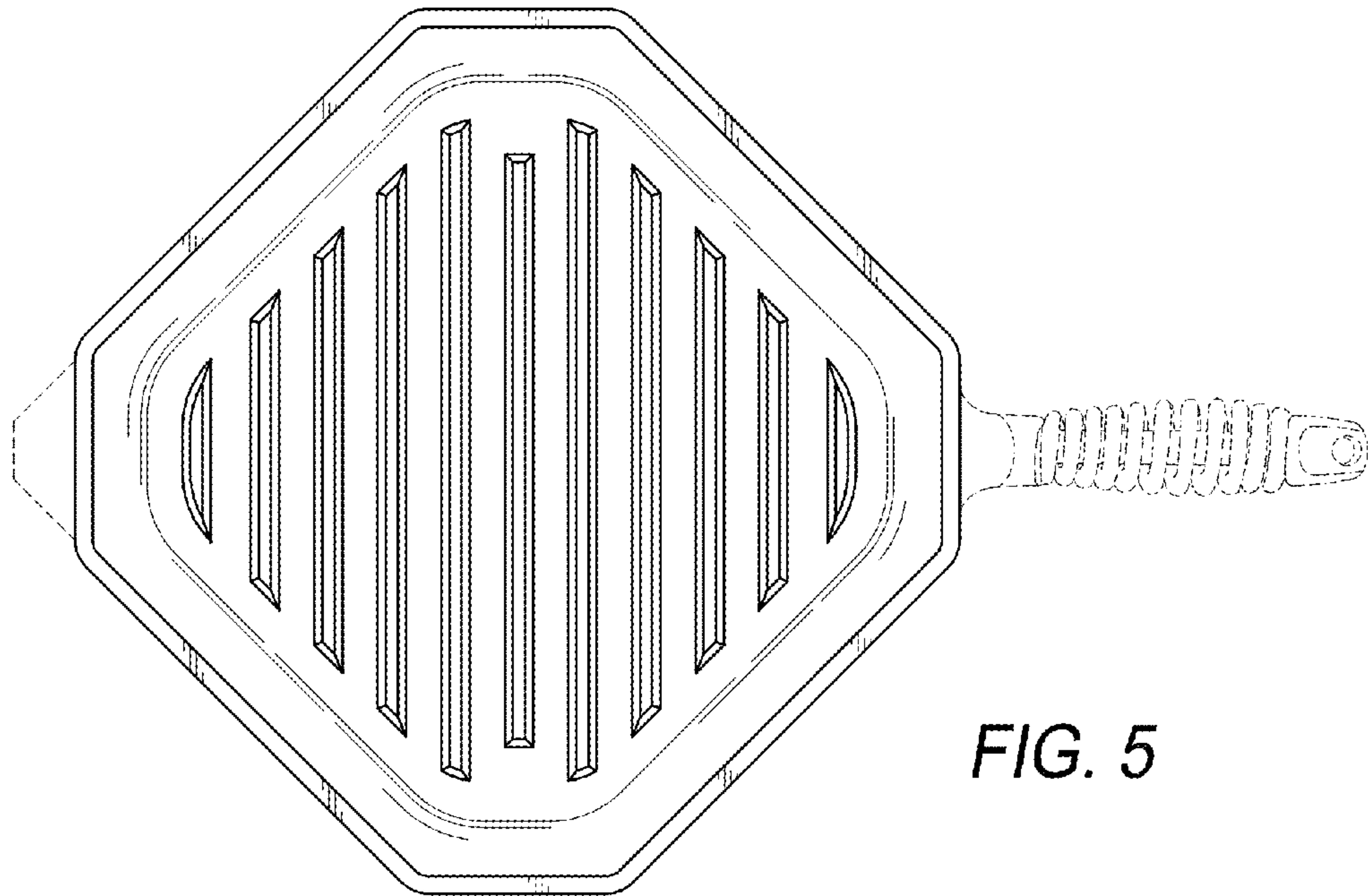


FIG. 5

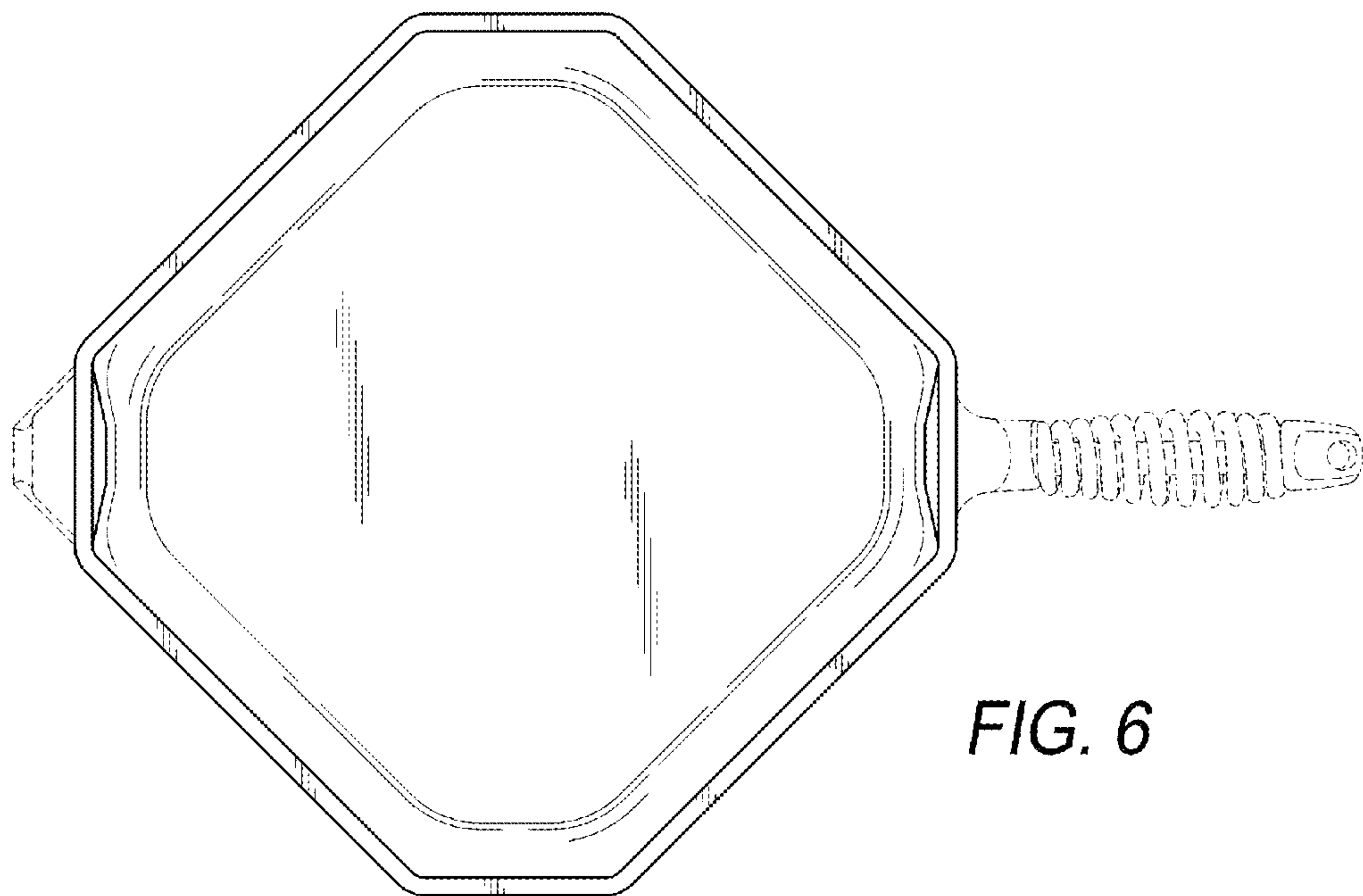


FIG. 6