

US00D764857S

(12) **United States Design Patent** (10) **Patent No.:** **US D764,857 S**
McConnell et al. (45) **Date of Patent:** **** Aug. 30, 2016**

(54) **COOKING VESSEL**

FOREIGN PATENT DOCUMENTS

(71) Applicant: **Whirlpool Corporation**, Benton Harbor, MI (US)

WO 0139643 A1 6/2001

Primary Examiner — Ricky Pham

(72) Inventors: **John W. McConnell**, St. Joseph, MI (US); **Leif A. Norland**, St. Joseph, MI (US); **ZhaoYi Yin**, Benton Harbor, MI (US)

(57) **CLAIM**

We claim the ornamental design for a cooking vessel, as shown and described.

(73) Assignee: **Whirlpool Corporation**, Benton Harbor, MI (US)

DESCRIPTION

(**) Term: **14 Years**

(21) Appl. No.: **29/519,536**

(22) Filed: **Mar. 5, 2015**

(51) **LOC (10) Cl.** **07-02**

(52) **U.S. Cl.**

USPC **D7/360**; D7/354

(58) **Field of Classification Search**

USPC D7/323, 354–363, 391, 393–396, 409

CPC A47G 19/12; A47J 27/00; A47J 27/002;

A47J 27/08; A47J 27/21; A47J 27/58;

A47J 36/025; A47J 36/06; A47J 36/08;

A47J 36/12; A47J 37/00; A47J 37/10;

A47J 37/101; A47J 37/103; A47J 37/12;

A47J 37/1204; A47J 45/061; A47J 45/071;

A47J 45/08; H05B 6/12

See application file for complete search history.

FIG. 1 is a top perspective view of one embodiment of a cooking vessel of the present disclosure;

FIG. 2 is a first side elevational view of the cooking vessel of FIG. 1;

FIG. 3 is a second side elevational view of the cooking vessel of FIG. 1;

FIG. 4 is a third side elevational view of the cooking vessel of FIG. 1;

FIG. 5 is a fourth side elevational view of the cooking vessel of FIG. 1;

FIG. 6 is a top plan view of the cooking vessel of FIG. 1; FIG. 7 is a bottom plan view of the cooking vessel of FIG. 1;

FIG. 8 is a top perspective view of another embodiment of a cooking vessel of the present disclosure;

FIG. 9 is a first side elevational view of the cooking vessel of FIG. 8;

FIG. 10 is a second side elevational view of the cooking vessel of FIG. 8;

FIG. 11 is a third side elevational view of the cooking vessel of FIG. 8;

FIG. 12 is a fourth side elevational view of the cooking vessel of FIG. 8;

FIG. 13 is a top plan view of the cooking vessel of FIG. 8; and,

FIG. 14 is a bottom plan view of the cooking vessel of FIG. 8.

The broken lines shown in the drawings are for illustrative purposes only and form no part of the claimed design.

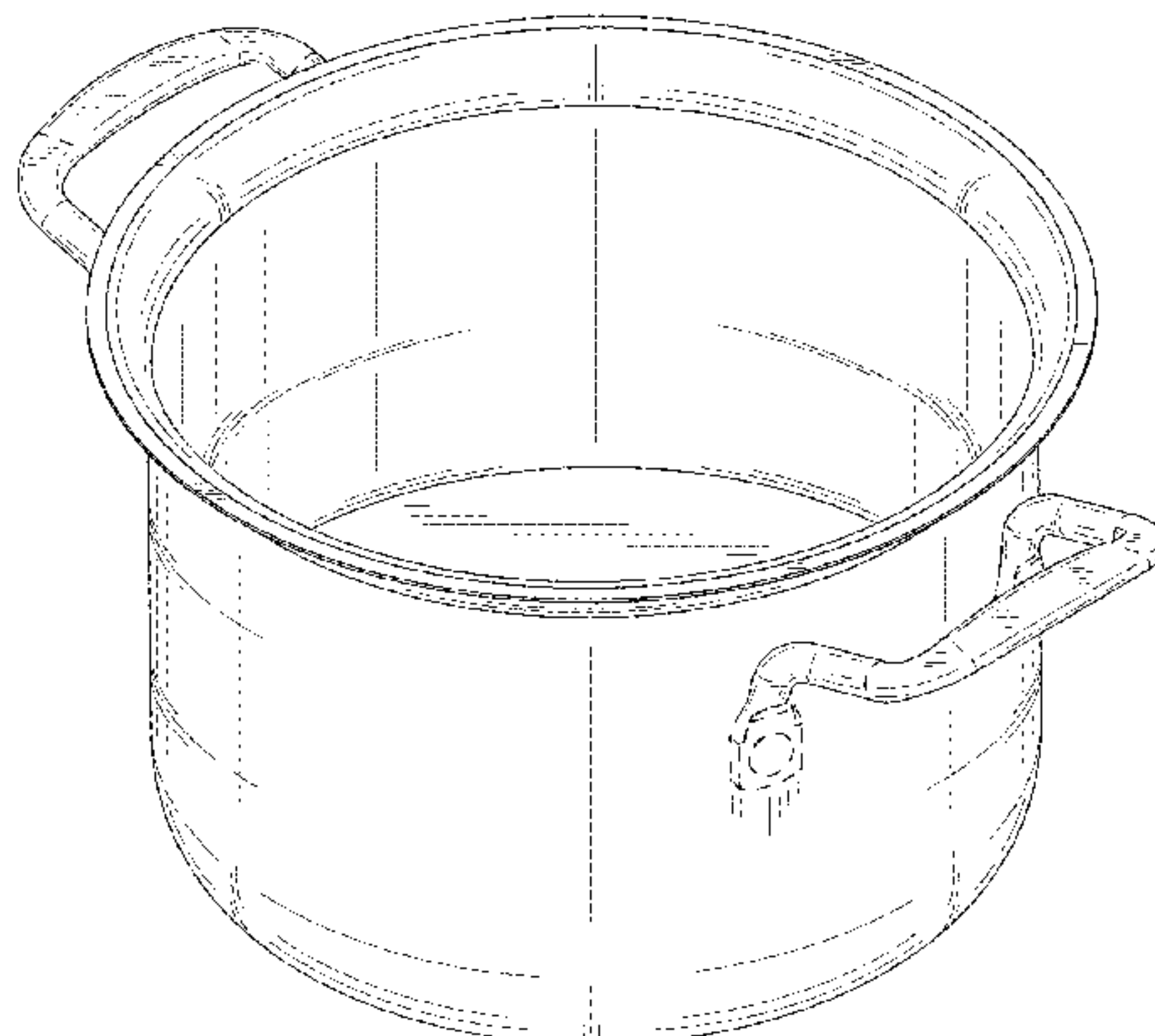
(56) **References Cited**

U.S. PATENT DOCUMENTS

2,592,992	A	4/1952	Abercrombie	
4,469,237	A	9/1984	Zerdian et al.	
4,685,587	A	8/1987	Sebillotte	
5,100,157	A	3/1992	Chabala	
5,641,085	A	6/1997	Lonbardo	
D449,204	S	* 10/2001	Groll	D7/354

(Continued)

1 Claim, 8 Drawing Sheets



(56)

References Cited

U.S. PATENT DOCUMENTS

D474,936 S *	5/2003	Groll	D7/354	D642,013 S *	7/2011	Rae	D7/394
D534,031 S *	12/2006	Roussard	D7/358	D642,422 S *	8/2011	Averty	D7/354
D562,621 S *	2/2008	Kloppsteck	D7/360	D643,681 S *	8/2011	Bodum	D7/395
D571,145 S *	6/2008	Rae	D7/391	D659,462 S *	5/2012	Hundley	D7/354
D589,295 S *	3/2009	Rohrer	D7/360	D698,595 S *	2/2014	Kunz	D7/354
D618,491 S *	6/2010	Welk	D7/354	8,739,690 B2	6/2014	Chameroy et al.	
				2004/0216620 A1 *	11/2004	Quiggins	A47J 36/08 99/413

* cited by examiner

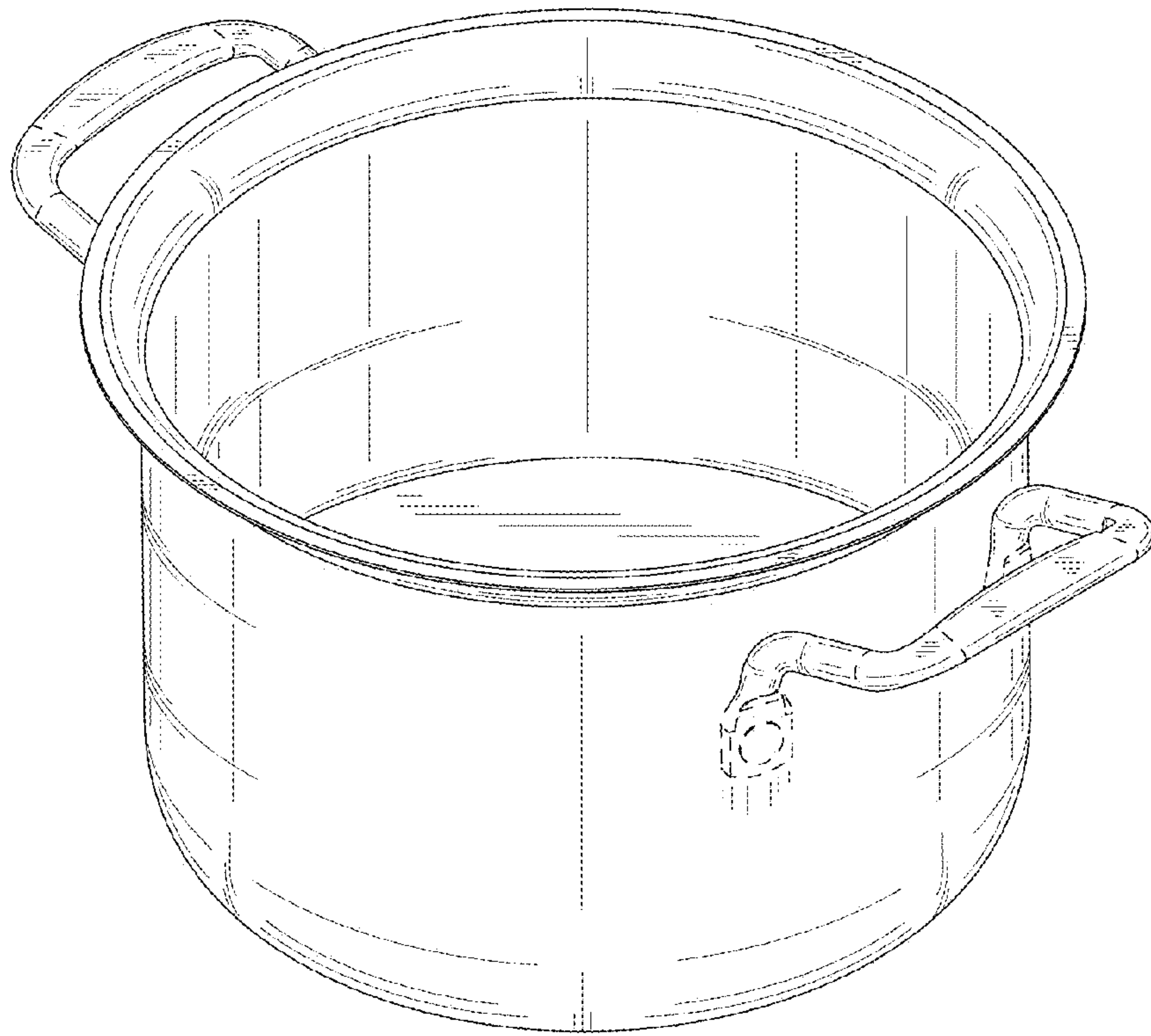


FIG. 1

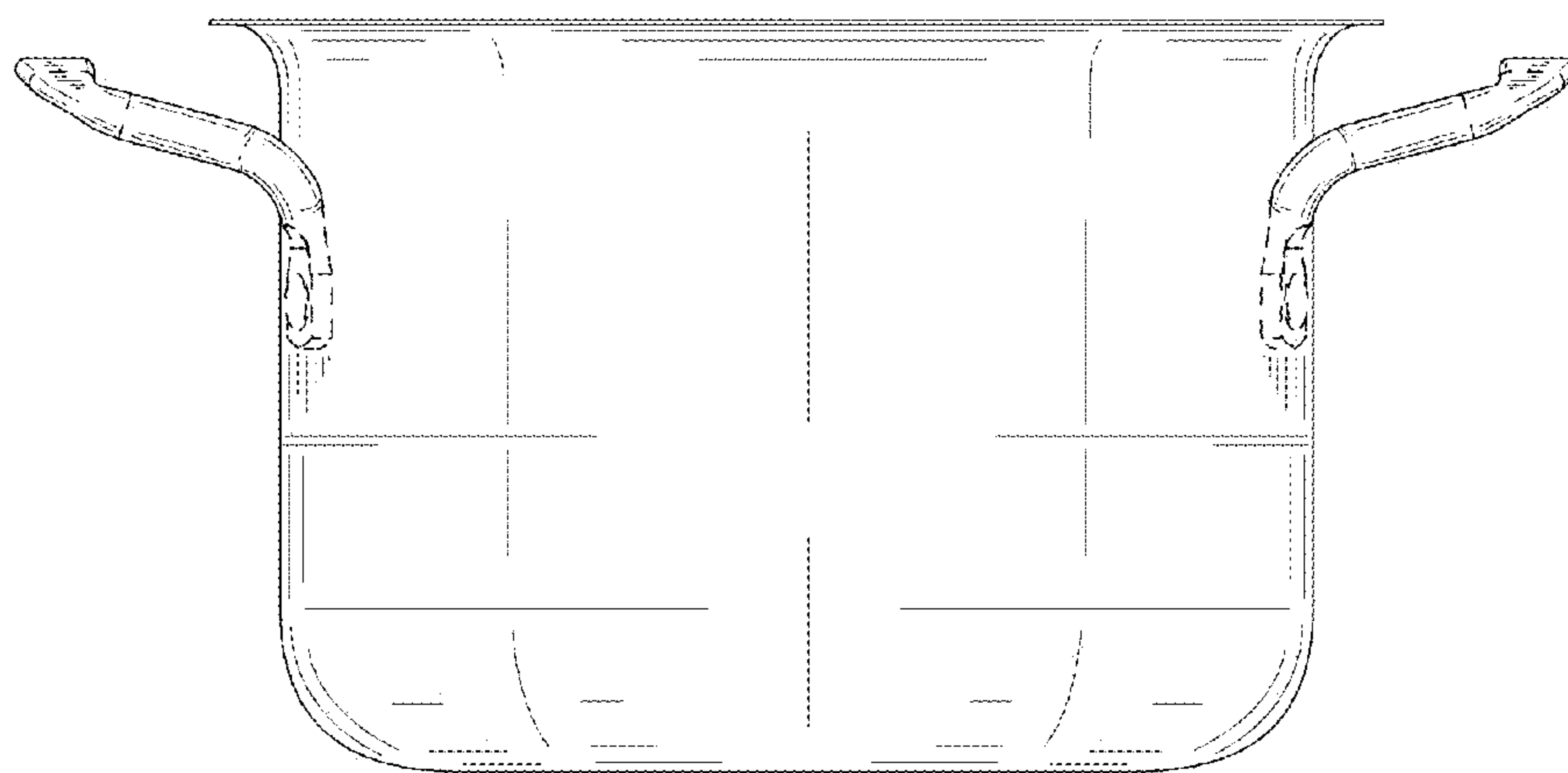


FIG. 2

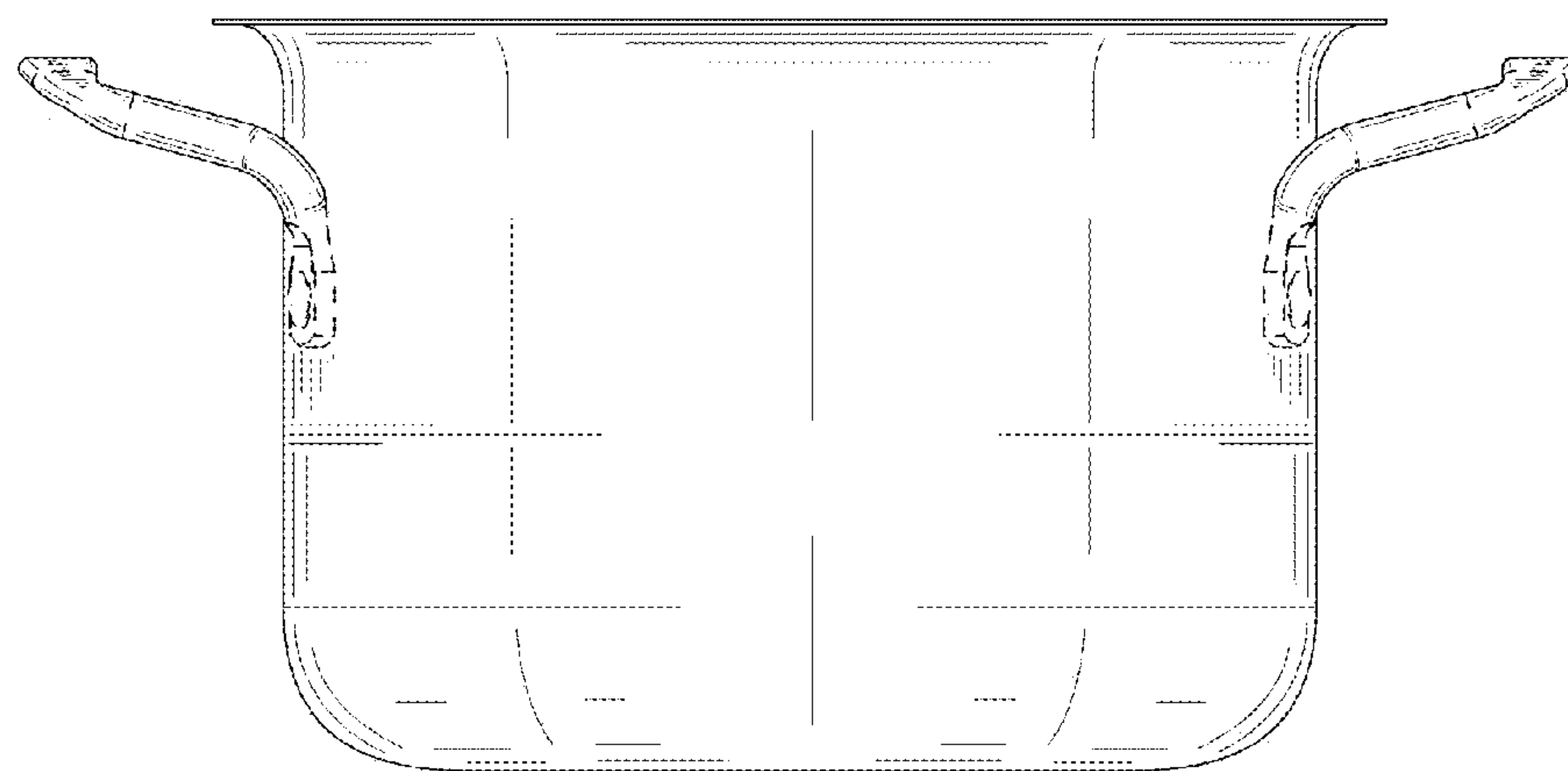


FIG. 3

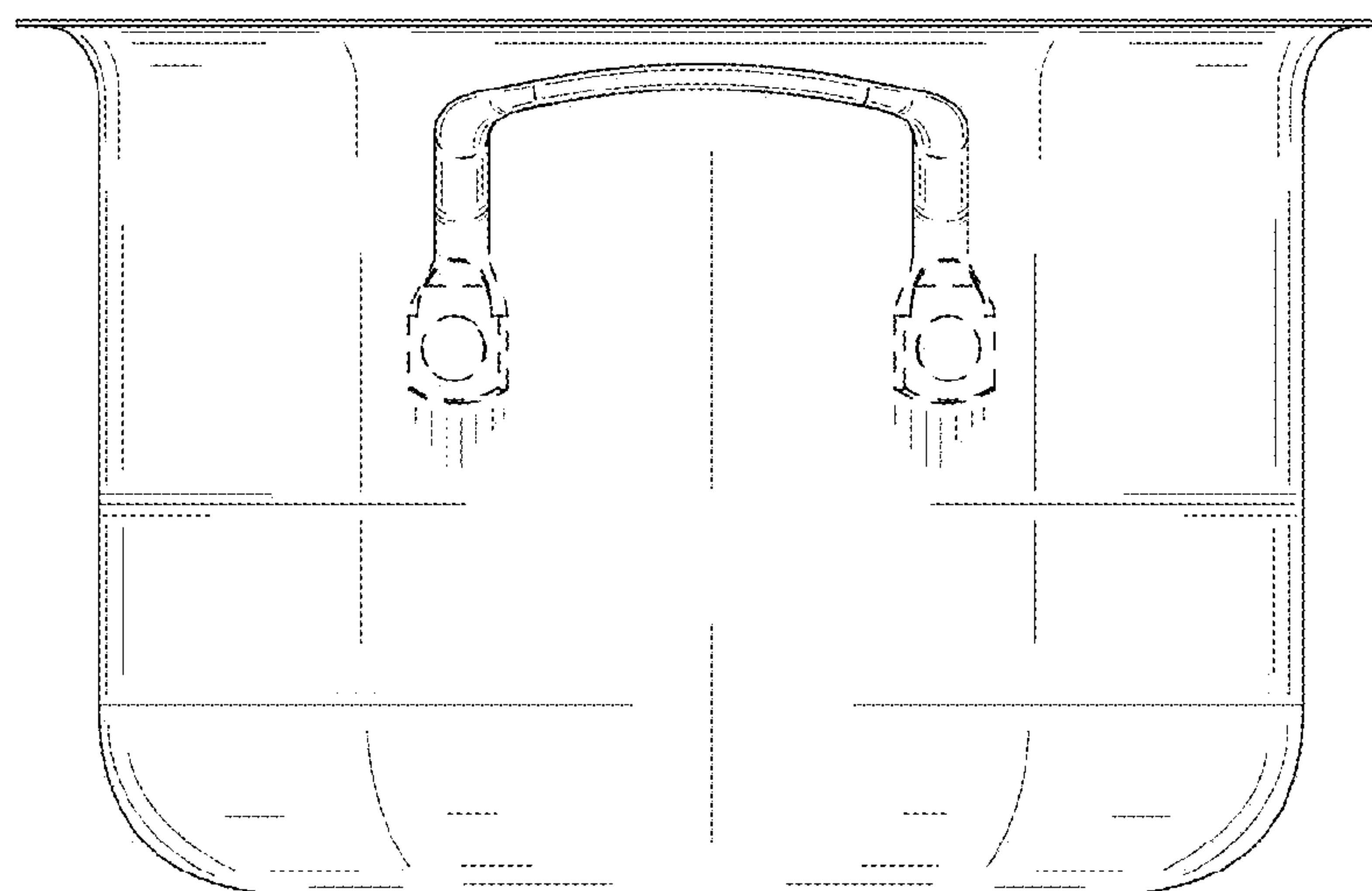


FIG. 4

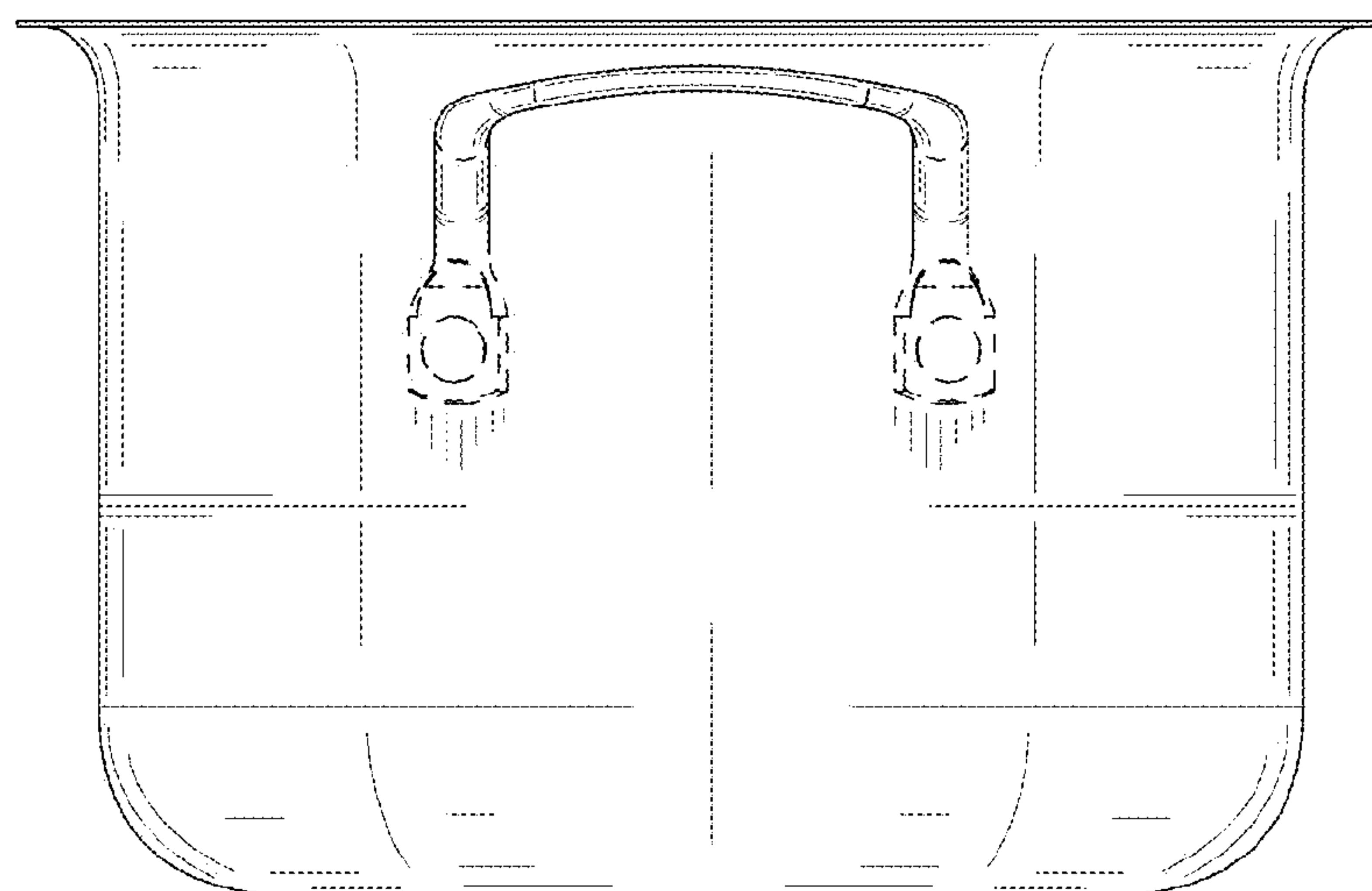


FIG. 5

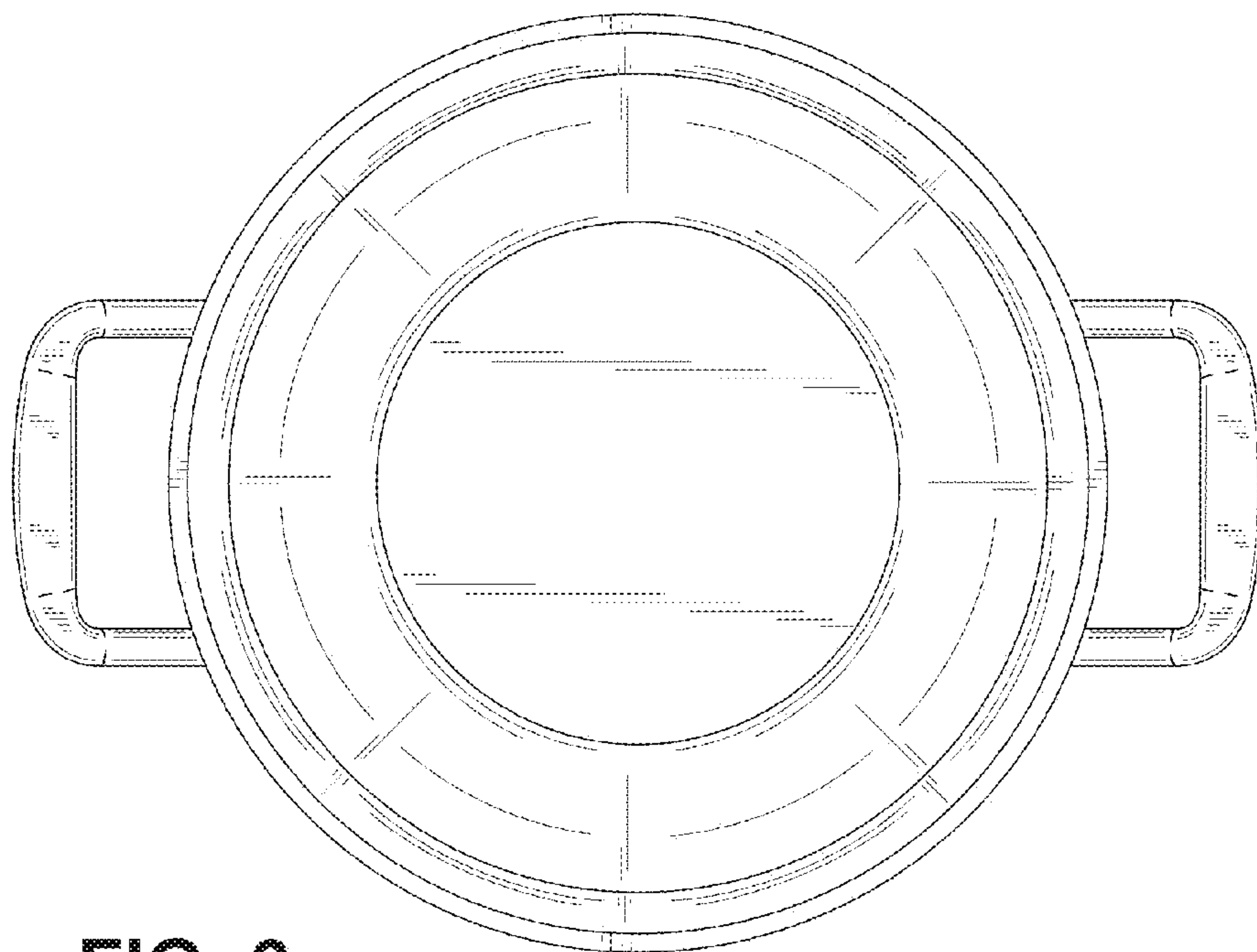


FIG. 6

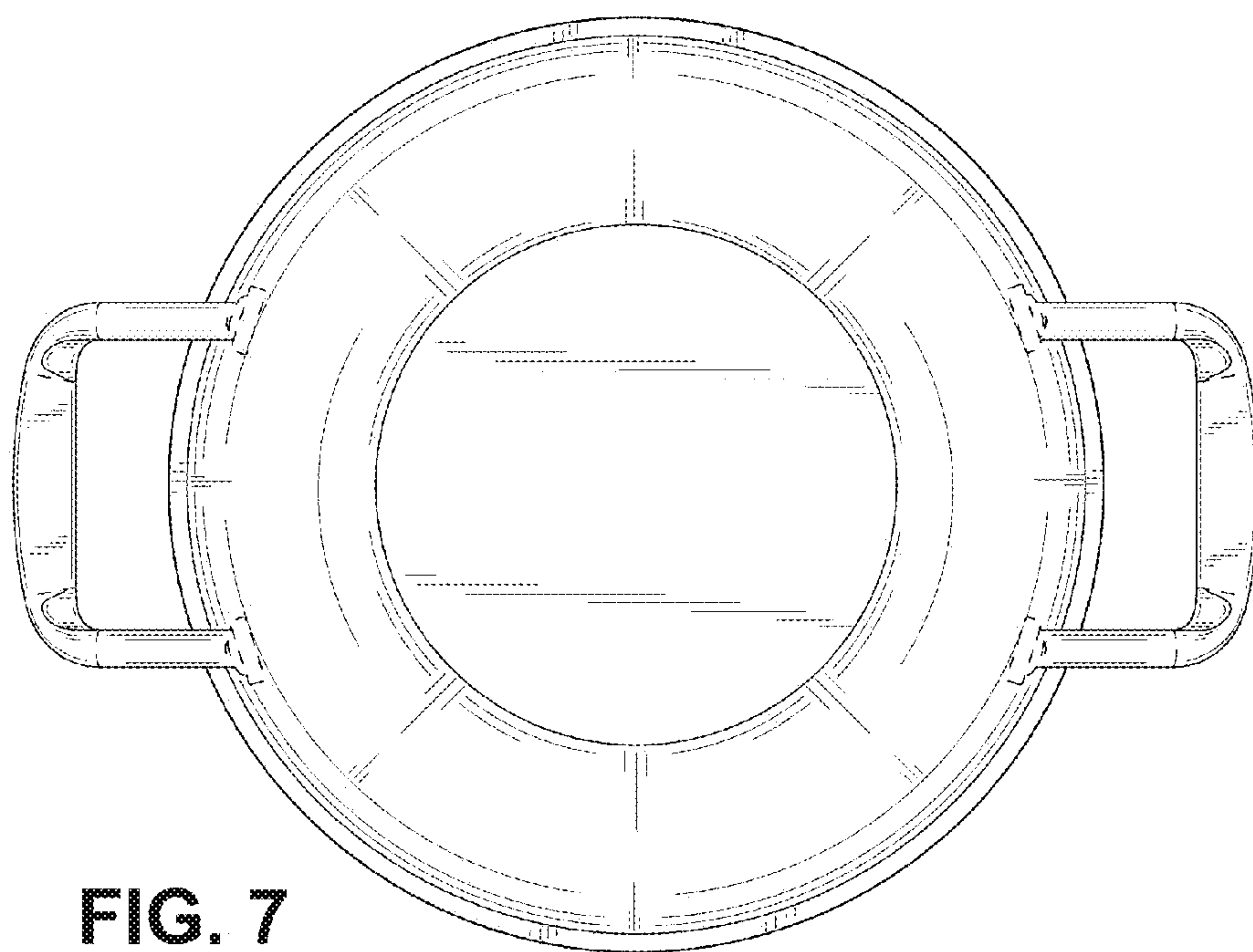


FIG. 7

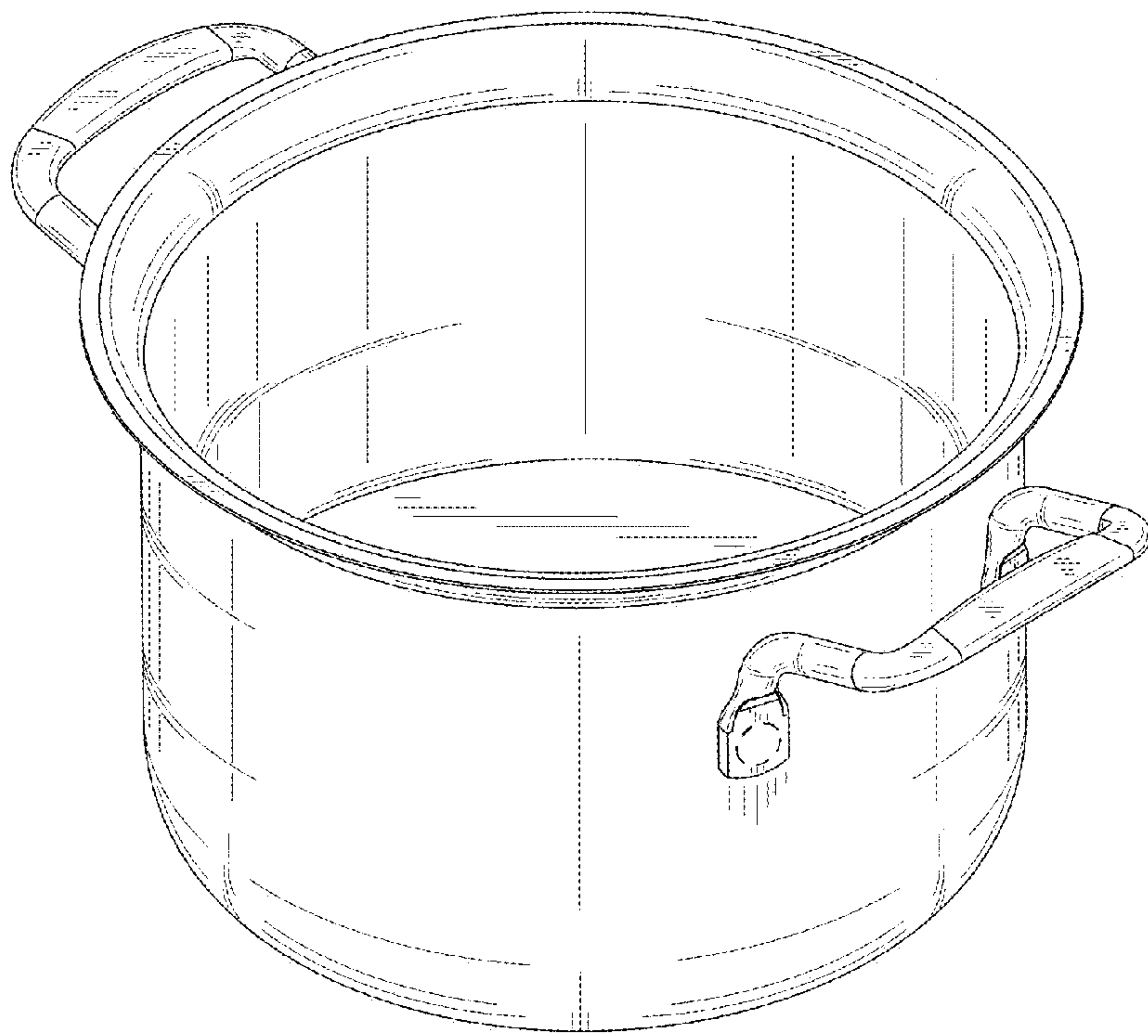


FIG. 8

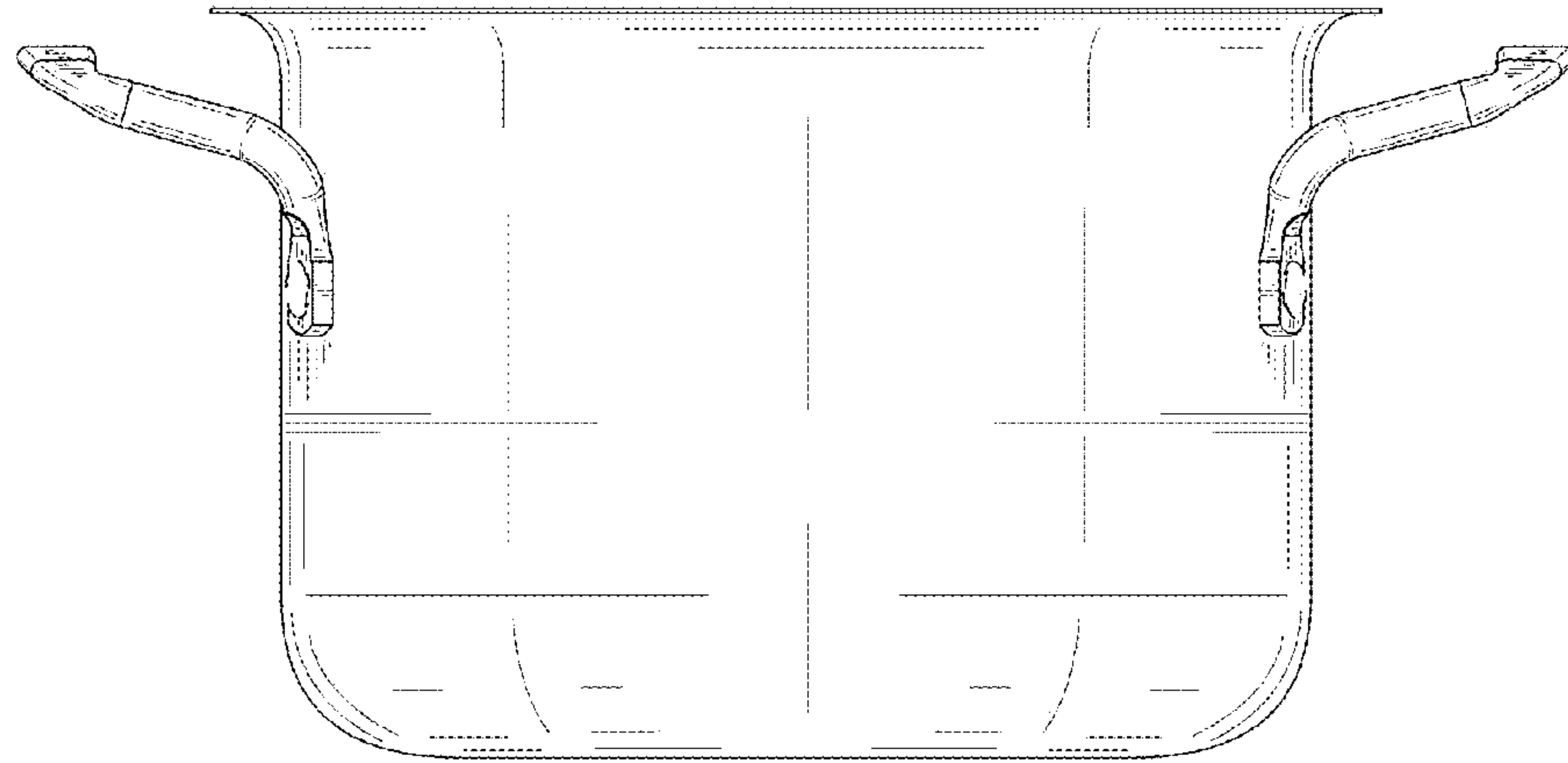


FIG. 9

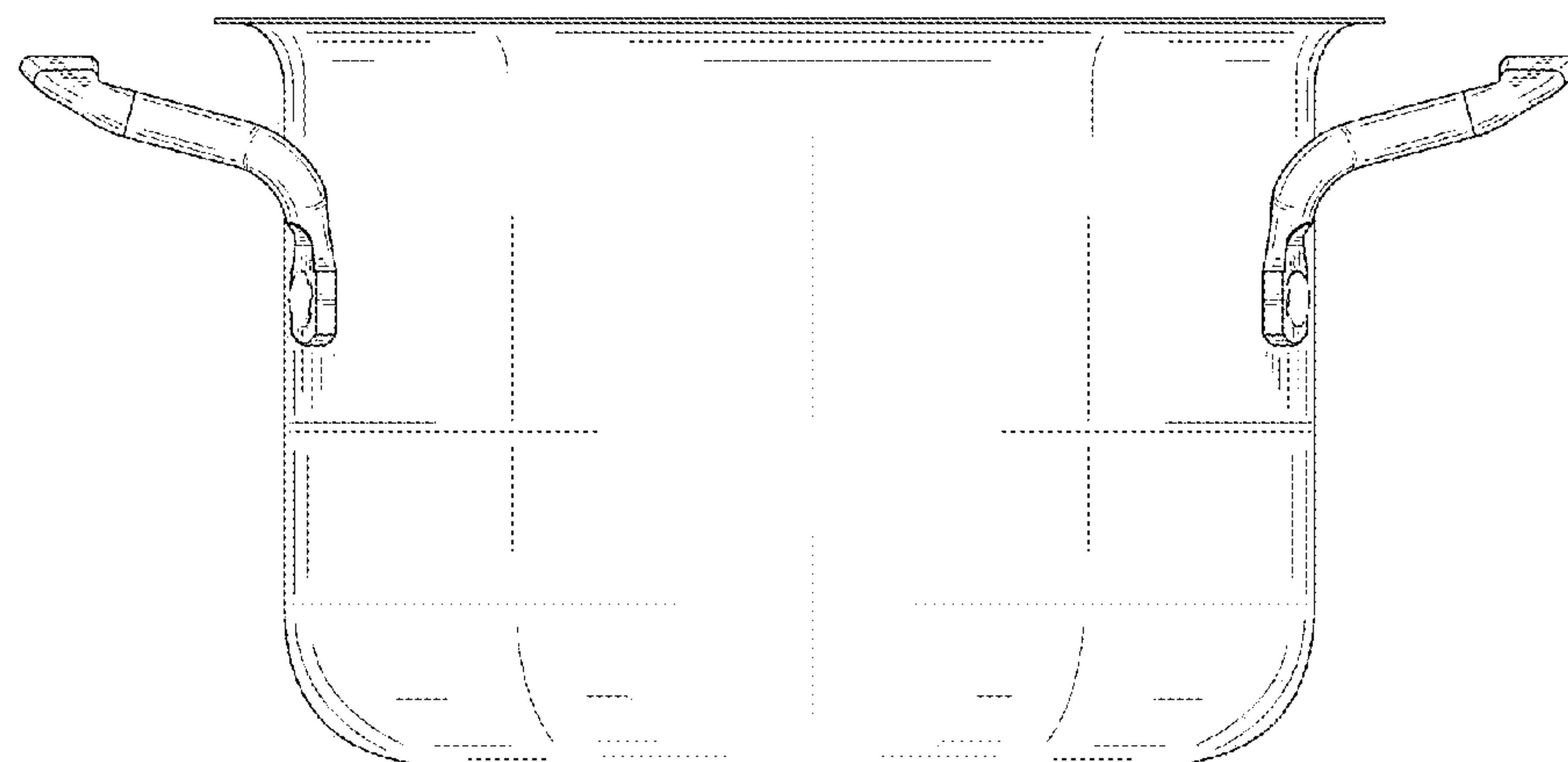


FIG. 10

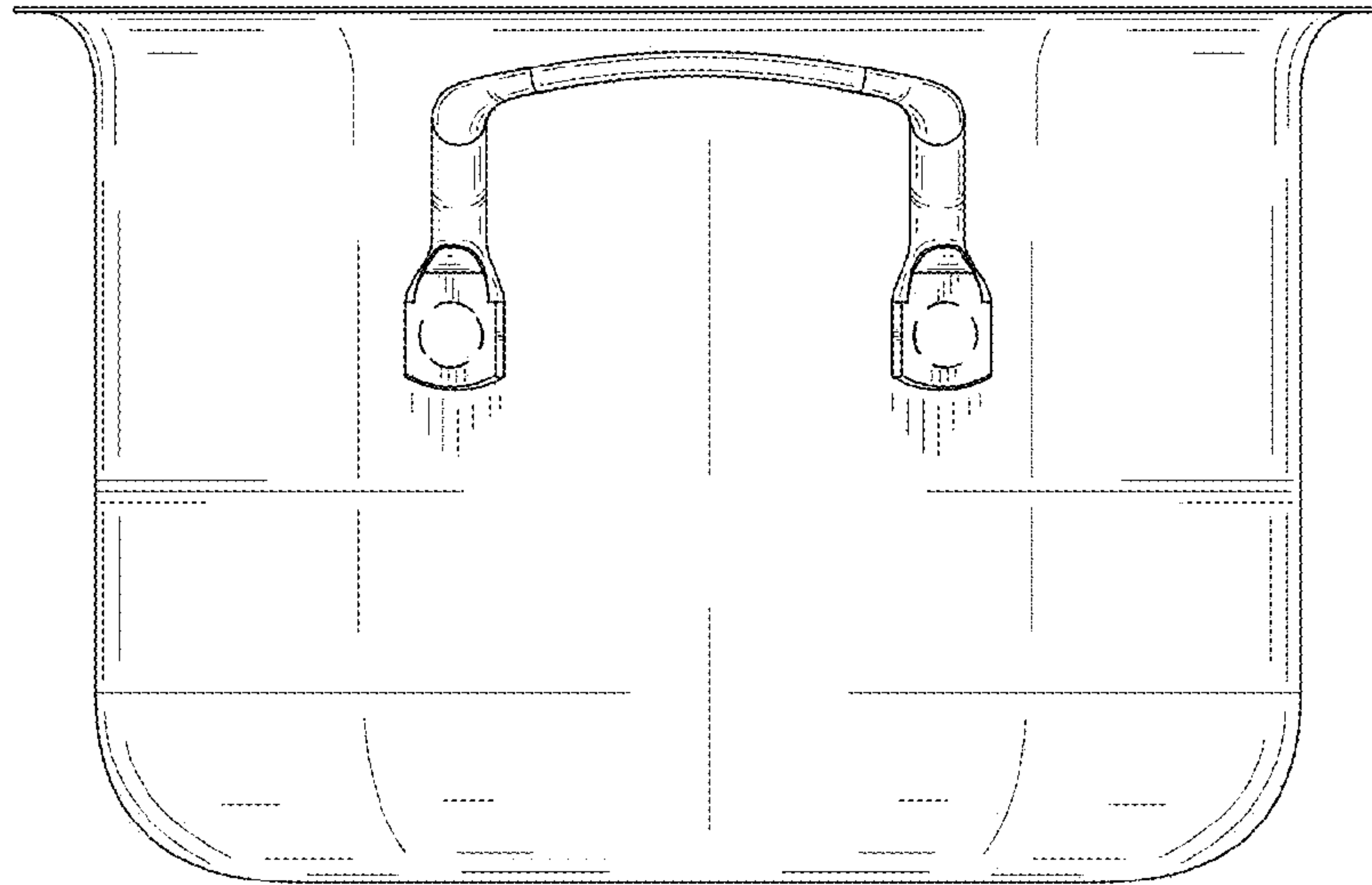


FIG. 11

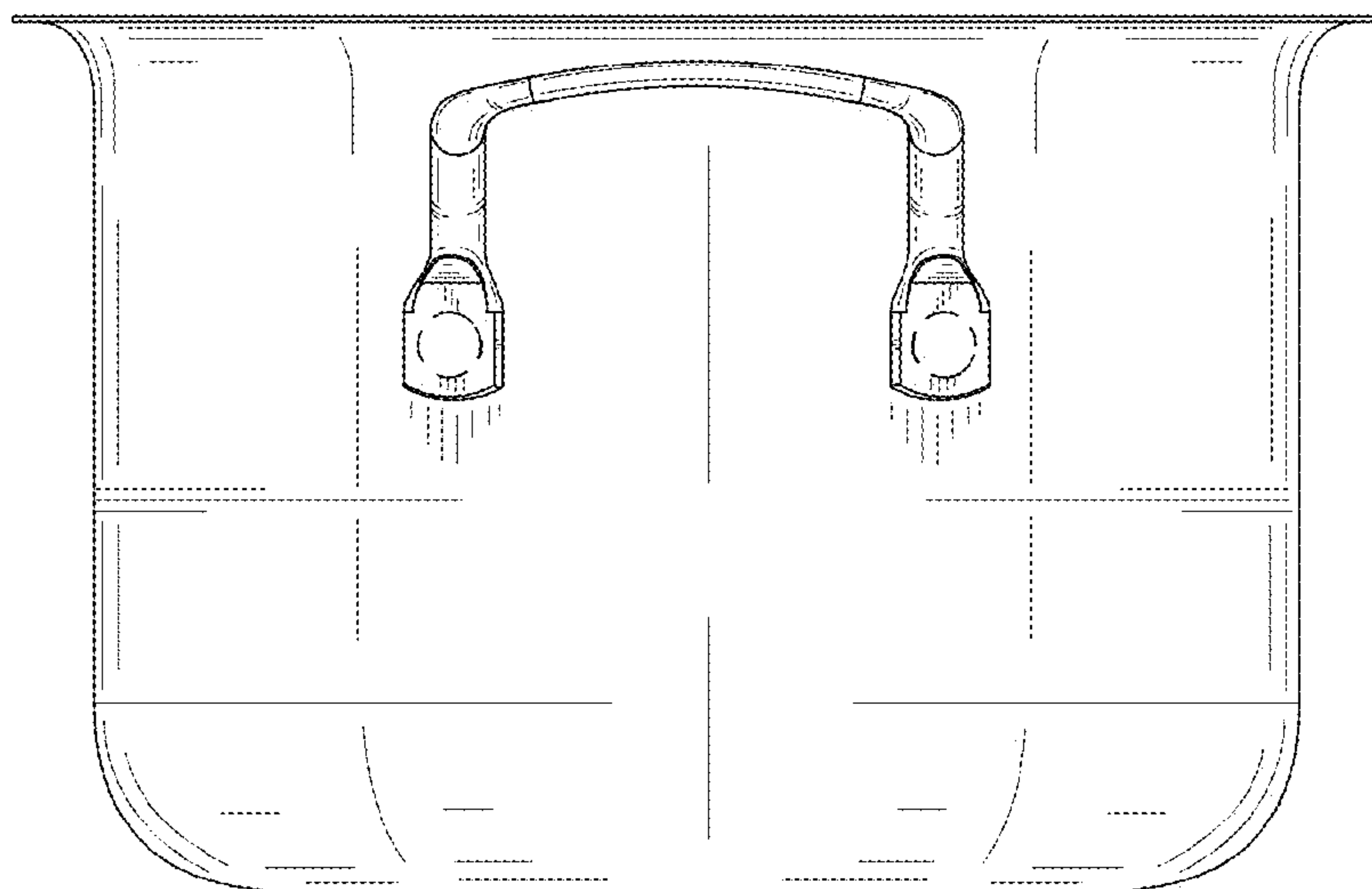


FIG. 12

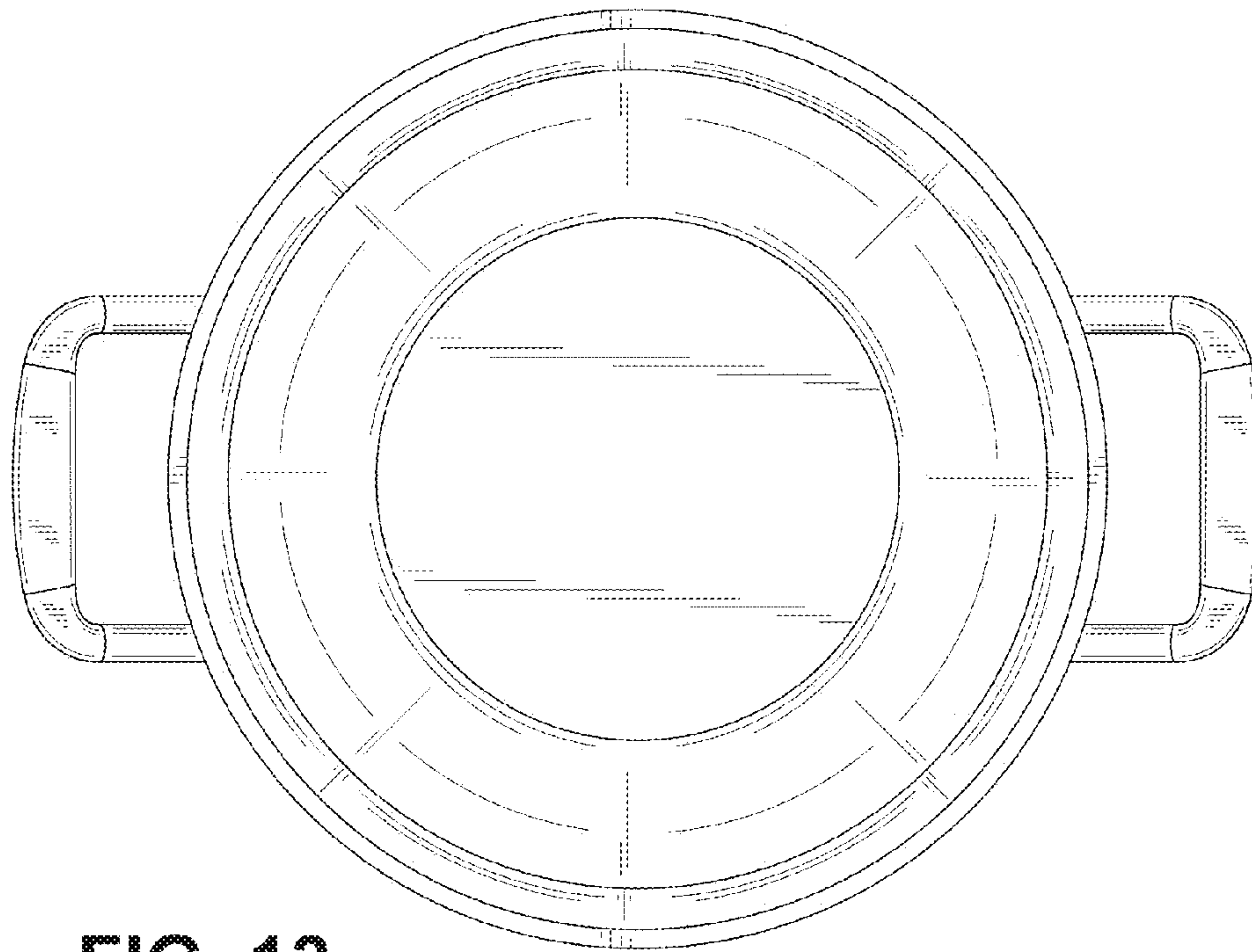


FIG. 13

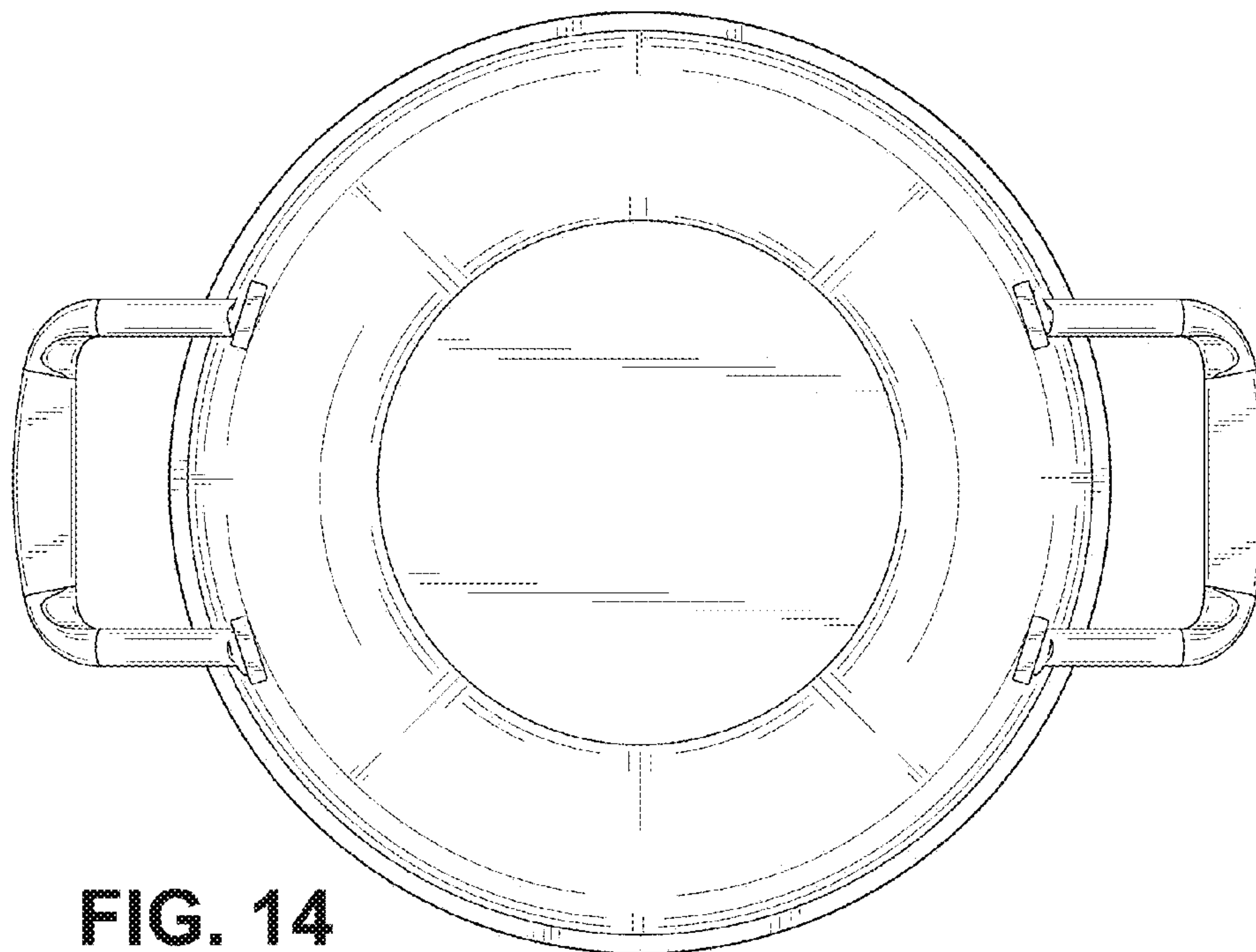


FIG. 14