



US00D764856S

(12) **United States Design Patent**
Sandberg

(10) **Patent No.:** **US D764,856 S**

(45) **Date of Patent:** **** Aug. 30, 2016**

(54) **SLOW COOKER**

(56) **References Cited**

(71) Applicant: **KONINKLIJKE PHILIPS N.V.**,
Eindhoven (NL)

(72) Inventor: **Emma Stinna Katarina Sandberg**,
Shanghai (CN)

(73) Assignee: **KONINKLIJKE PHILIPS N.V.**,
Eindhoven (NL)

(**) Term: **15 Years**

(21) Appl. No.: **29/528,502**

(22) Filed: **May 29, 2015**

(30) **Foreign Application Priority Data**

Dec. 1, 2014 (CN) 2014 3 0489682
Dec. 1, 2014 (EM) 002588244

(51) **LOC (10) Cl.** **07-02**

(52) **U.S. Cl.**
USPC **D7/357; D7/354**

(58) **Field of Classification Search**
USPC D7/323, 354-361
CPC A47J 27/00; A47J 27/04; A47J 27/05;
A47J 27/08; A47J 27/09; A47J 27/092;
A47J 36/025; A47J 36/06; A47J 36/08;
A47J 36/10; A47J 36/12; A47J 37/12; A47J
37/1204; A47J 37/1209; H05B 1/0266;
H05B 6/02; H05B 6/06; H05B 6/12
See application file for complete search history.

U.S. PATENT DOCUMENTS

D172,552 S *	7/1954	Perl et al.	D7/360
D503,584 S *	4/2005	White	D7/355
D577,247 S *	9/2008	Barnes	D7/354
D592,902 S *	5/2009	Currie	D7/355
D607,266 S *	1/2010	Picozza	D7/354
D616,697 S *	6/2010	Muller	D7/354
D620,743 S *	8/2010	Hsiao	D7/354
7,943,888 B2 *	5/2011	Barnes	H05B 1/0266 219/432
D641,202 S *	7/2011	Bock	D7/354
D667,256 S *	9/2012	Krapfl	D7/354
D717,099 S *	11/2014	Lavy	D7/354
D742,682 S *	11/2015	Hager	D7/354
D750,419 S *	3/2016	Hu	D7/354

* cited by examiner

Primary Examiner — Ricky Pham

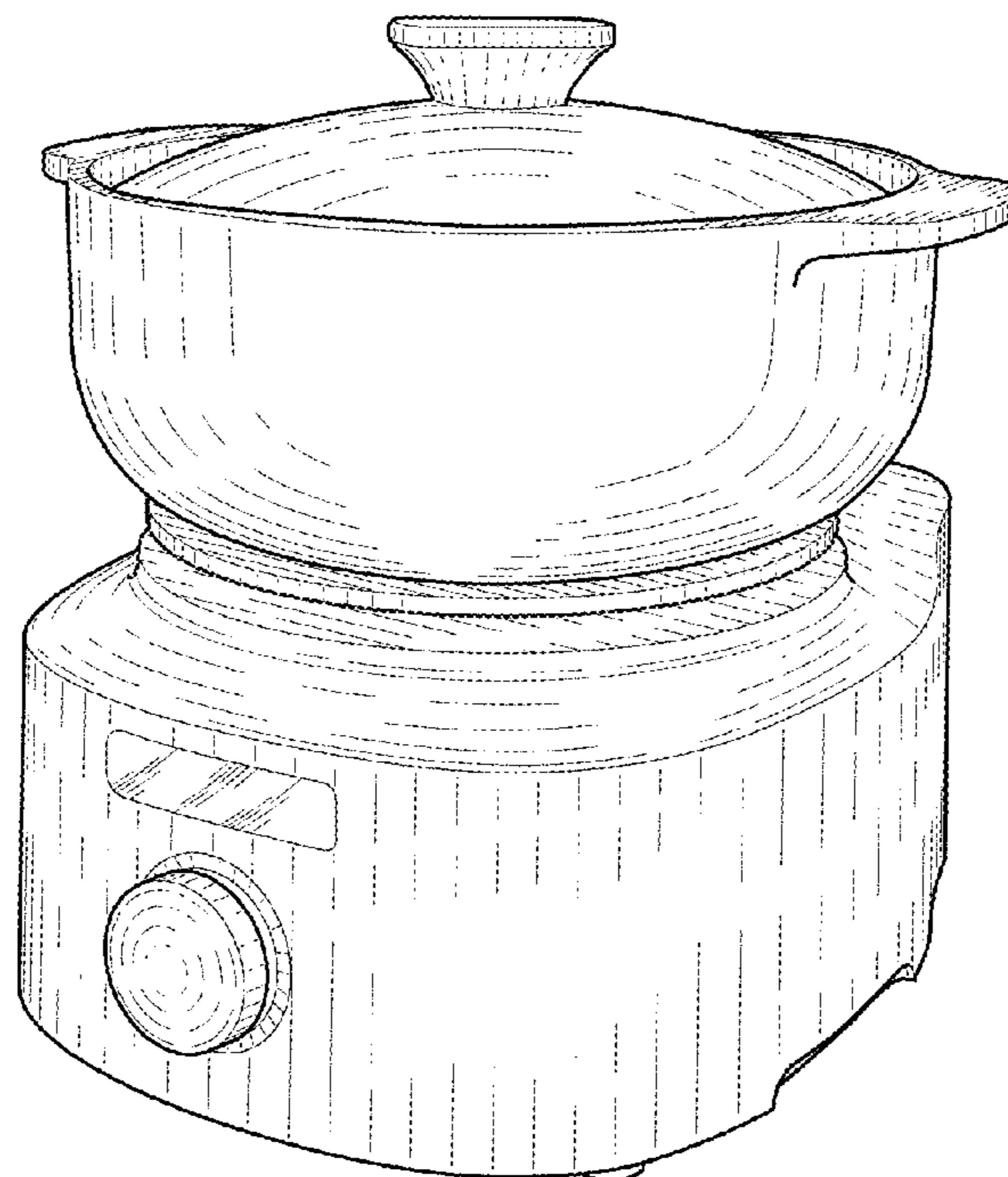
(57) **CLAIM**

The ornamental design for a slow cooker, as shown.

DESCRIPTION

FIG. 1 is a perspective view showing my design;
FIG. 2 is a front elevational view thereof;
FIG. 3 is a rear elevational view thereof;
FIG. 4 is a right side elevational view thereof;
FIG. 5 is a left side elevational view thereof;
FIG. 6 is a top plan view thereof;
FIG. 7 is a bottom plan view thereof.

1 Claim, 5 Drawing Sheets



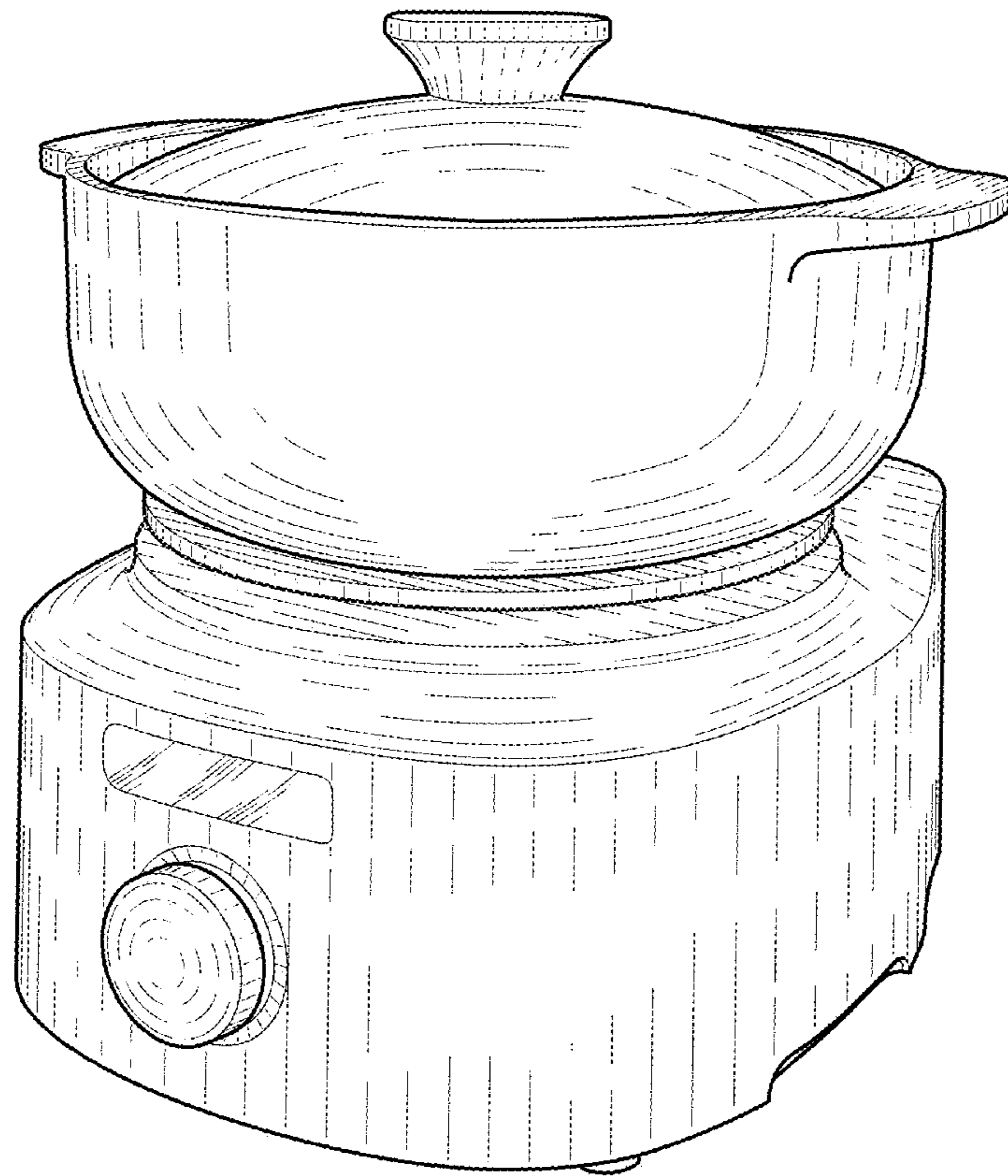


FIG. 1

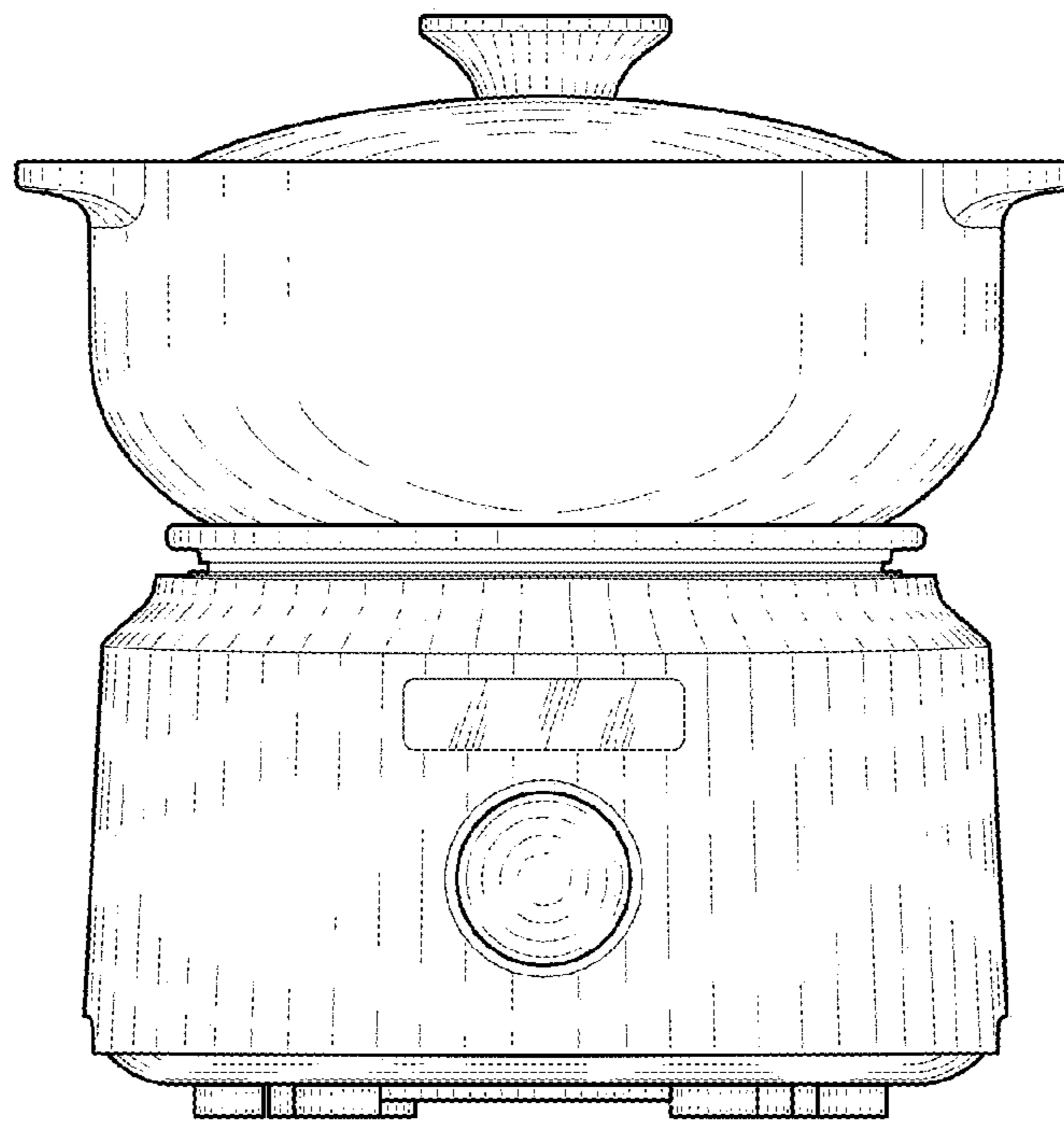


FIG. 2

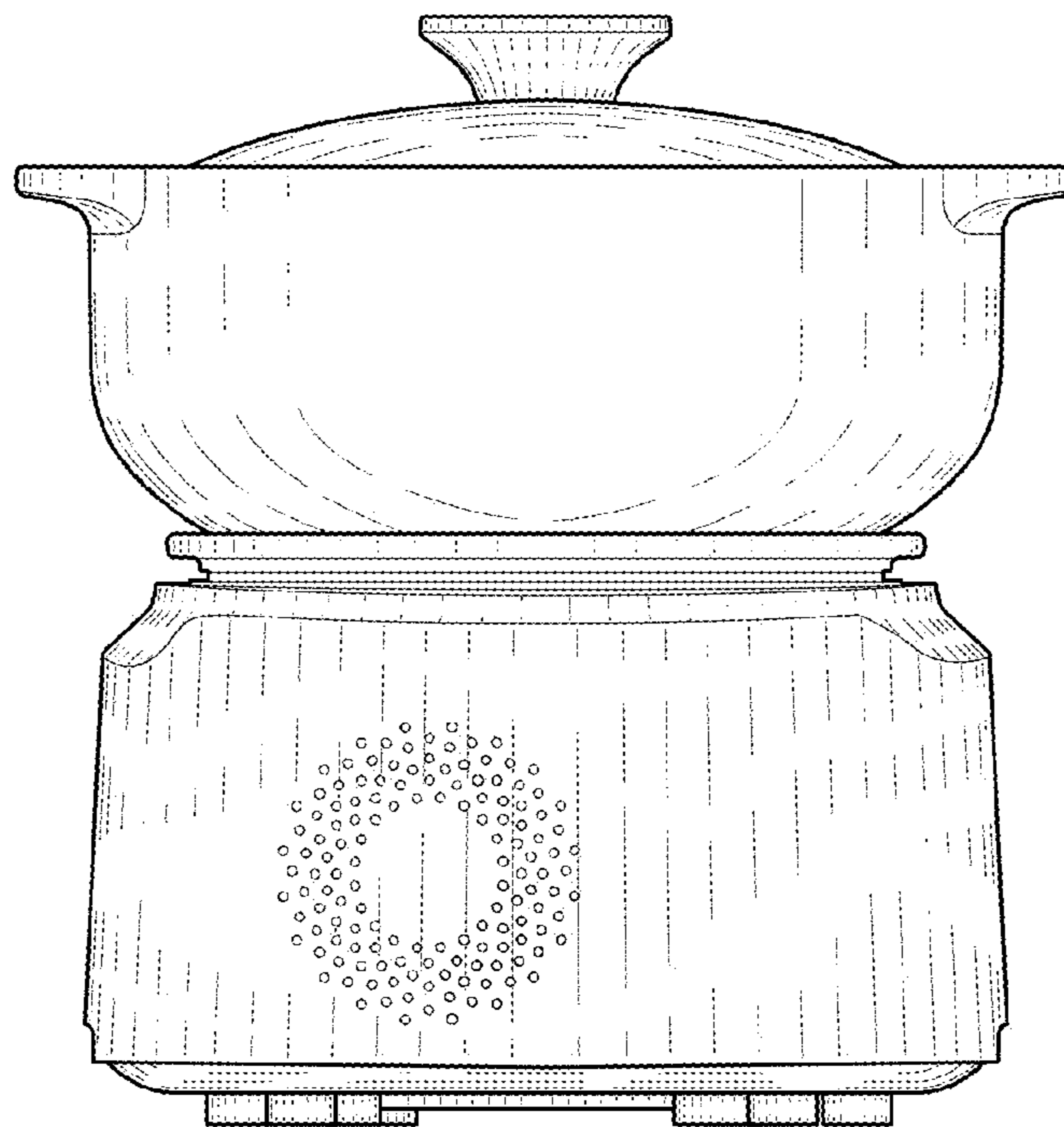


FIG. 3

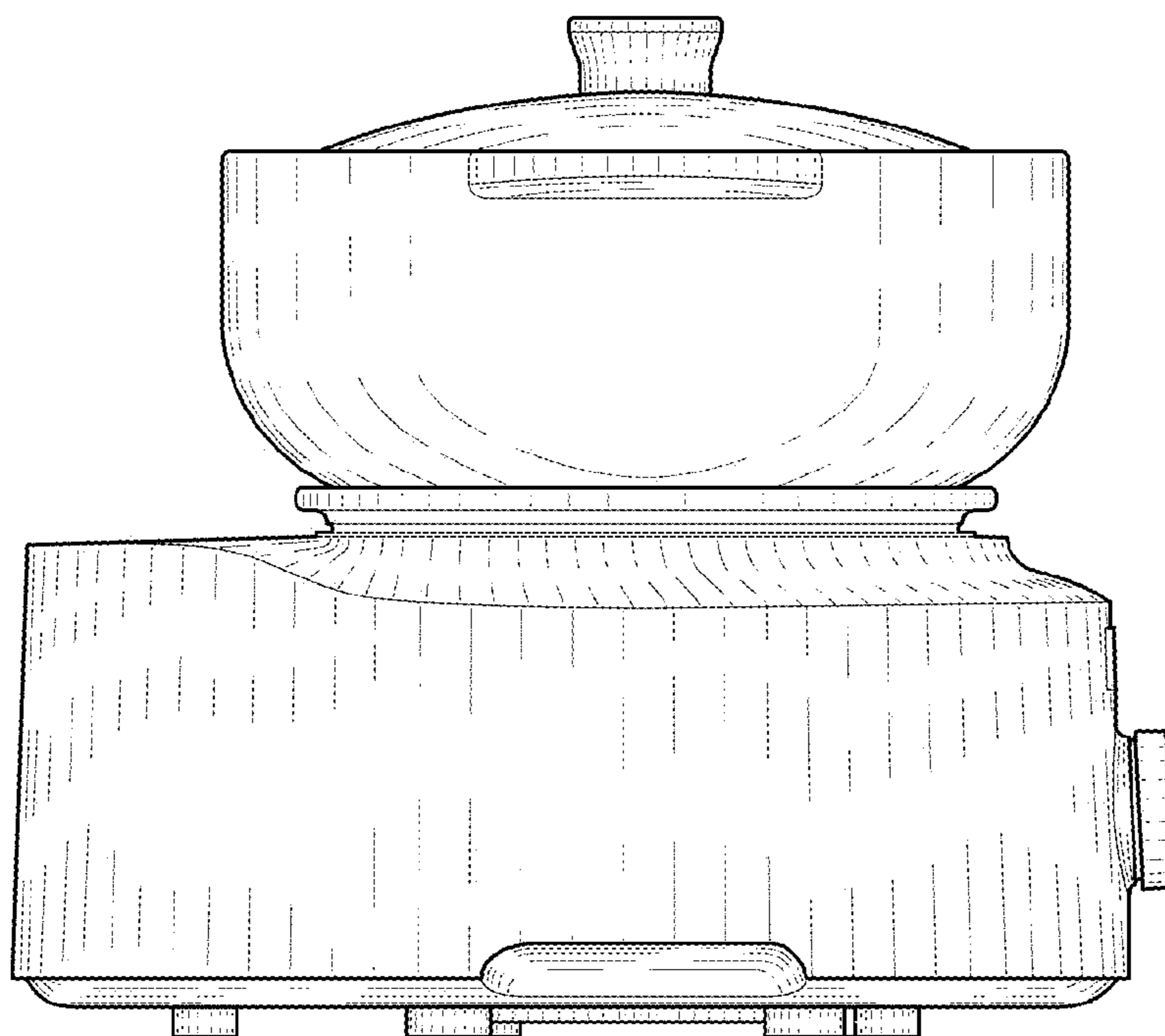


FIG. 4

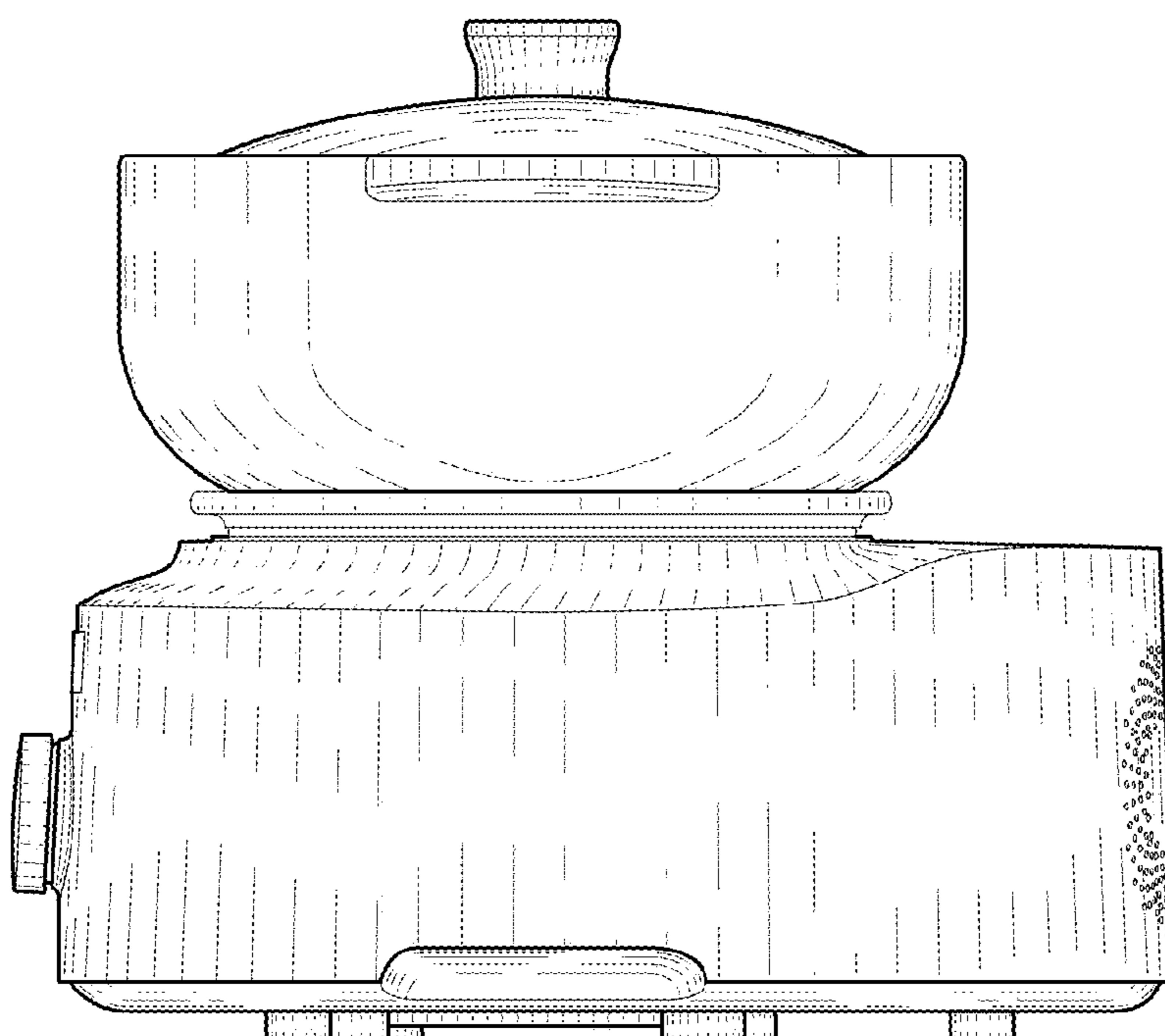


FIG. 5

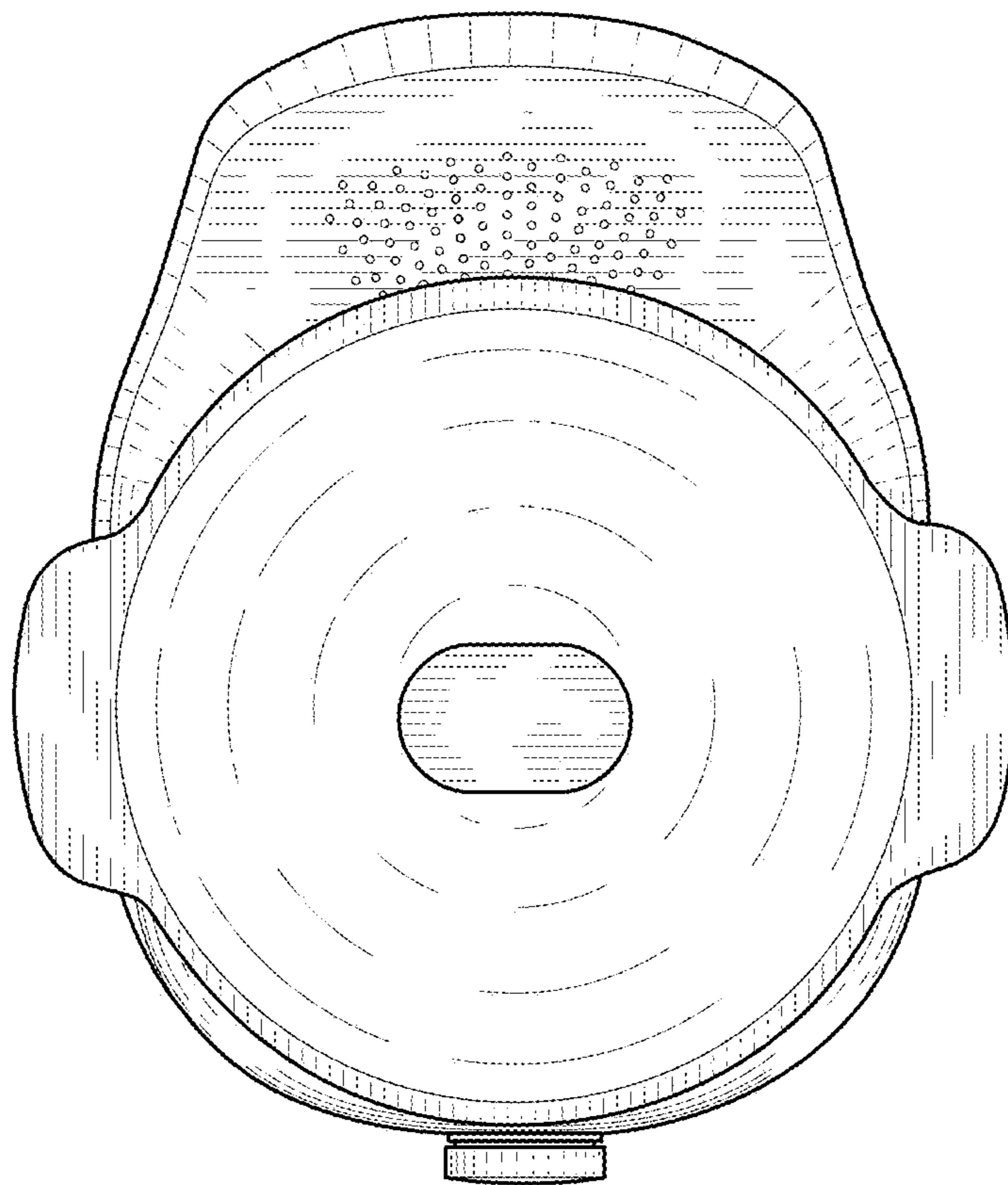


FIG. 6

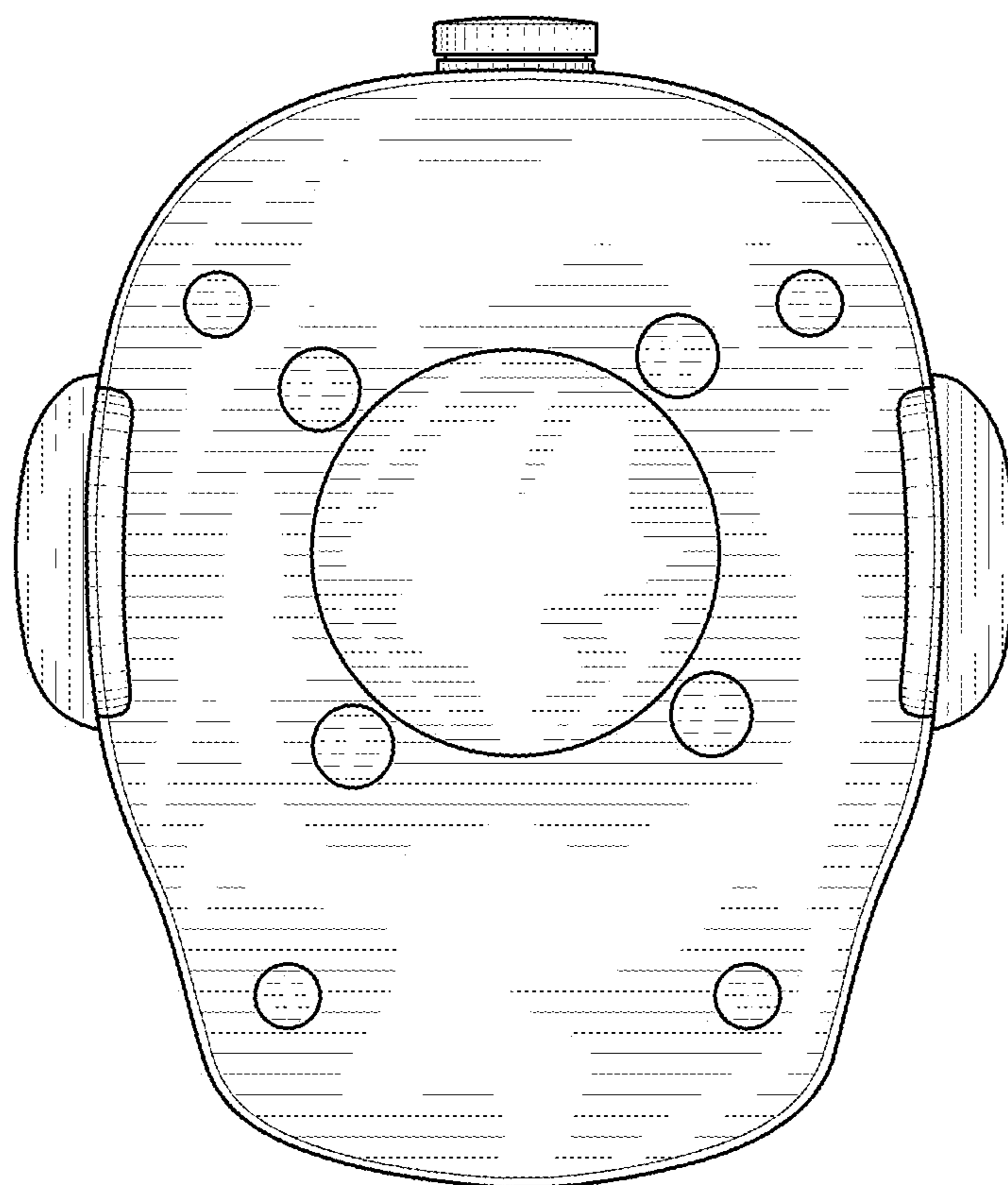


FIG. 7