



US00D764854S

(12) **United States Design Patent**  
**Kim et al.**

(10) **Patent No.:** **US D764,854 S**

(45) **Date of Patent:** **\*\* Aug. 30, 2016**

(54) **OVEN**  
(71) Applicant: **Samsung Electronics Co., Ltd.**,  
Suwon-si (KR)  
(72) Inventors: **Bin-Na Kim**, Seoul (KR); **Seung-Wook Suh**,  
Deogyang-gu (KR); **Jae-Moon Lee**, Seoul (KR); **Gi-Sung Han**,  
Seoul (KR)  
(73) Assignee: **SAMSUNG ELECTRONICS CO., LTD.** (KR)  
(\*\*) Term: **15 Years**

D572,527 S \* 7/2008 Crookshanks ..... D7/405  
D577,957 S \* 10/2008 Baacke ..... D7/405  
D594,698 S \* 6/2009 Cruver, IV ..... D7/350.1  
D611,294 S \* 3/2010 Busalt ..... D7/349  
D612,207 S \* 3/2010 Baker ..... D7/402  
D626,782 S 11/2010 Busalt et al.  
D643,672 S \* 8/2011 Busalt ..... D7/349  
D646,112 S \* 10/2011 Park ..... D7/348  
D646,113 S \* 10/2011 Park ..... D7/348  
D651,460 S \* 1/2012 Sadtler ..... D7/405  
D668,106 S \* 10/2012 Borjesson ..... D7/405  
D671,790 S \* 12/2012 Busalt ..... D7/349  
D678,721 S \* 3/2013 Roberson ..... D7/405  
D690,158 S \* 9/2013 Baek ..... D7/405  
D696,069 S \* 12/2013 Roberson ..... D7/405  
D709,726 S \* 7/2014 Borjesson ..... D7/349  
D710,646 S \* 8/2014 Borjesson ..... D7/349

(Continued)

(21) Appl. No.: **29/528,428**  
(22) Filed: **May 28, 2015**  
(51) **LOC (10) Cl.** ..... **07-02**  
(52) **U.S. Cl.**  
USPC ..... **D7/349**; D7/339; D7/348  
(58) **Field of Classification Search**  
USPC ..... D7/323, 328-330, 339-349, 350.1, 390,  
D7/402-406; D8/300-306  
CPC ..... A21B 2/00; A47J 37/00; A47J 37/06;  
A47J 37/0611; A47J 37/08; A47J 37/0807;  
A47J 37/0814; A47J 37/0835; A47J 37/0842;  
A47J 37/085; A47J 37/0864; A47J 37/0878;  
A47J 37/0885; A47J 37/0892; F24C 7/00;  
F24C 7/002; F24C 7/046; F24C 7/067;  
F24C 15/02; F24C 15/04; F24C 15/10;  
F24C 15/102  
See application file for complete search history.

**FOREIGN PATENT DOCUMENTS**

EM 0022955680001 10/2013  
EM 0021762550001 2/2014

(Continued)

*Primary Examiner* — Ricky Pham  
(74) *Attorney, Agent, or Firm* — Cantor Colburn LLP

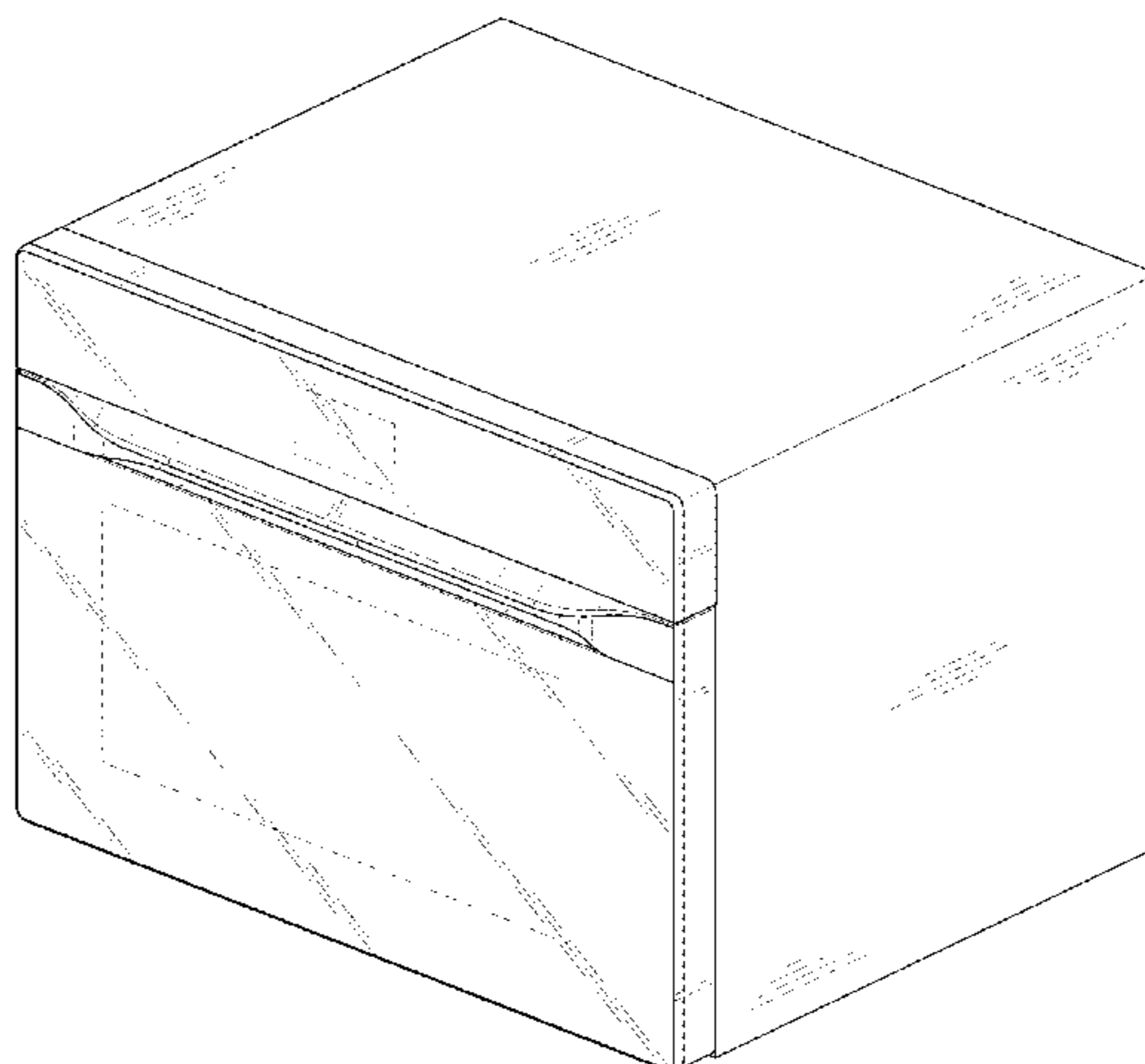
(57) **CLAIM**  
The ornamental design for an oven, as shown and described.

**DESCRIPTION**

FIG. 1 is a perspective view of an oven, showing our new design;  
FIG. 2 is a front view thereof;  
FIG. 3 is a rear view thereof;  
FIG. 4 is a side view thereof;  
FIG. 5 is another side view thereof;  
FIG. 6 is a top plan view thereof; and,  
FIG. 7 is a bottom plan view thereof.  
The broken lines are for environmental purpose only and form no part of the claimed design.

**1 Claim, 7 Drawing Sheets**

(56) **References Cited**  
**U.S. PATENT DOCUMENTS**  
D379,734 S \* 6/1997 Baldwin ..... D7/405  
D525,476 S \* 7/2006 Bengtson ..... D7/349  
D527,948 S \* 9/2006 Bengtson ..... D7/349  
D560,958 S \* 2/2008 Shin ..... D7/348  
D571,149 S \* 6/2008 Crookshanks ..... D7/405



# US D764,854 S

Page 2

---

(56)

## References Cited

D750,413 S \* 3/2016 Funnell, II ..... D7/348

### U.S. PATENT DOCUMENTS

### FOREIGN PATENT DOCUMENTS

D728,300 S \* 5/2015 Borjesson ..... D7/349  
D741,104 S \* 10/2015 Funnell, II ..... D7/348  
D745,311 S \* 12/2015 Funnell, II ..... D7/349  
D748,424 S \* 2/2016 Funnell, II ..... D7/348

KR 300392023 11/2005  
KR 300638955 3/2012

\* cited by examiner

FIG. 1

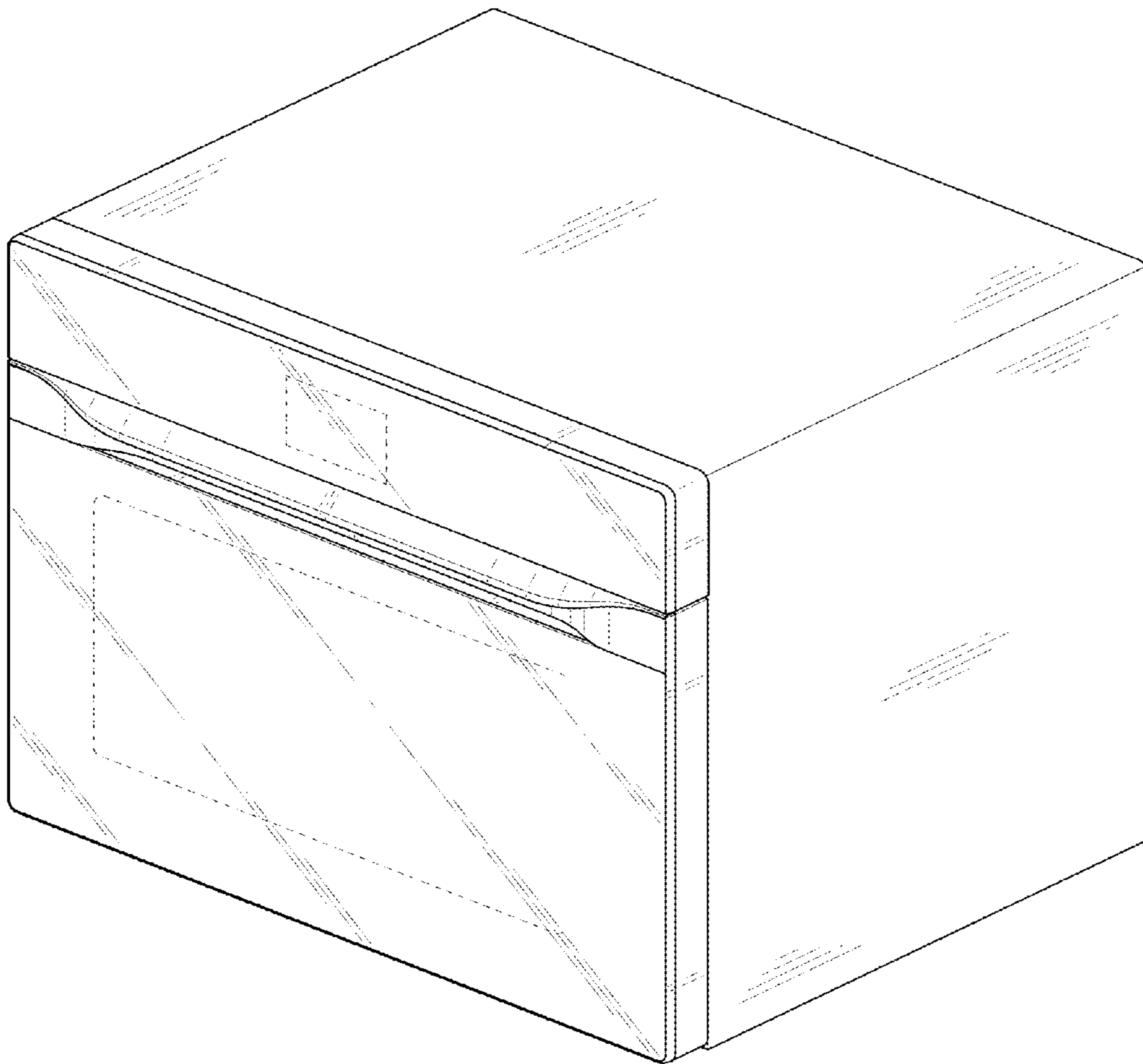


FIG. 2

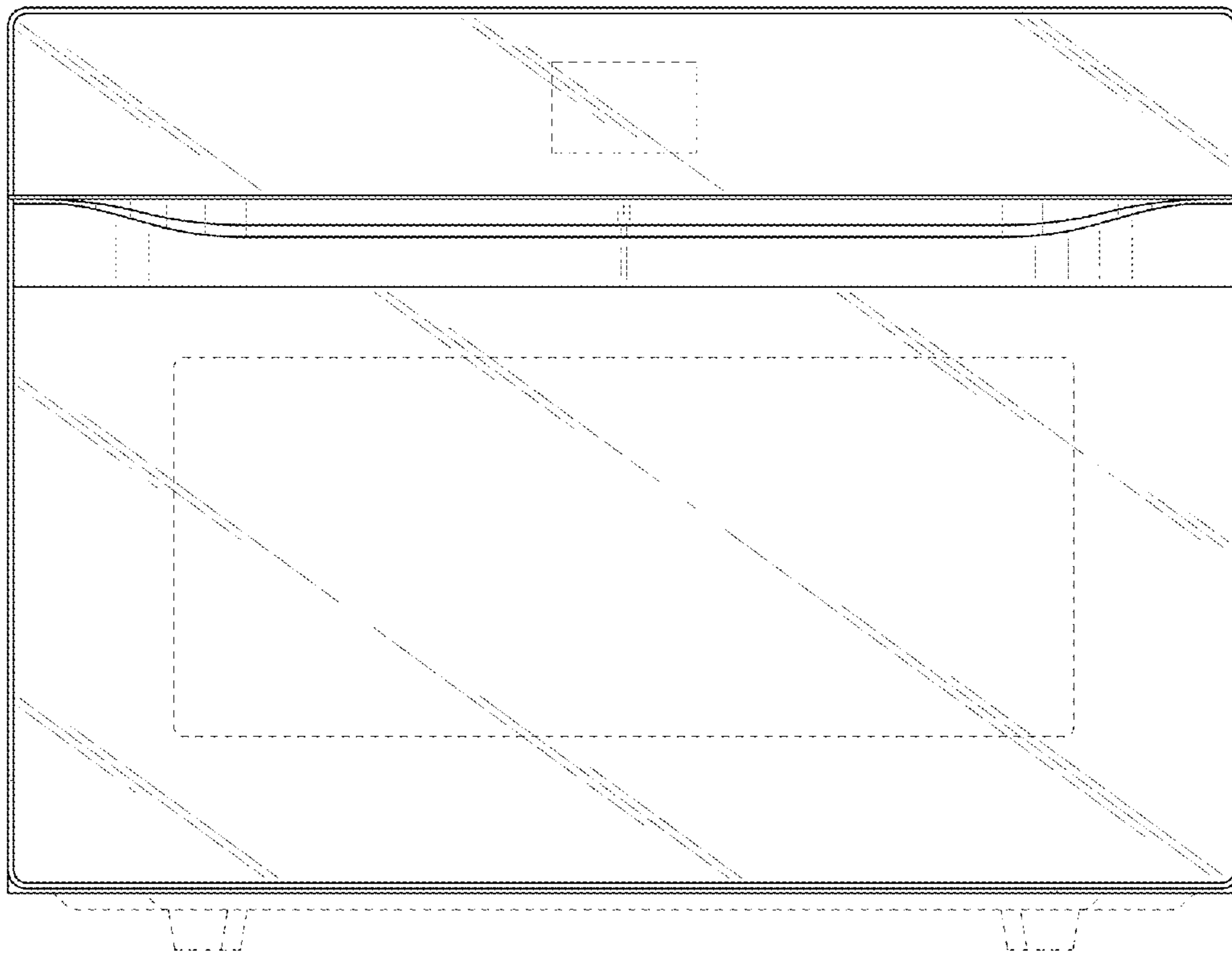


FIG. 3

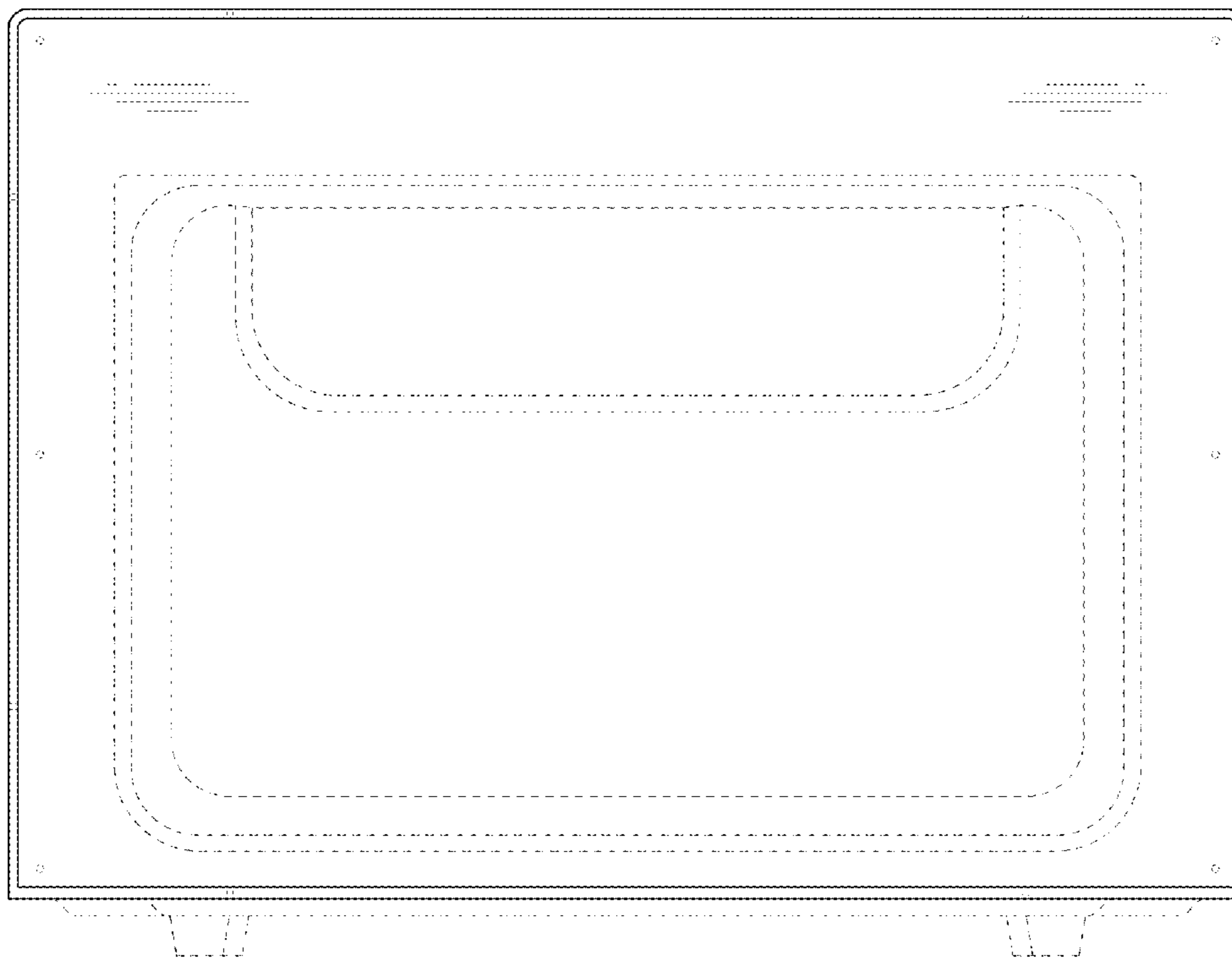


FIG. 4

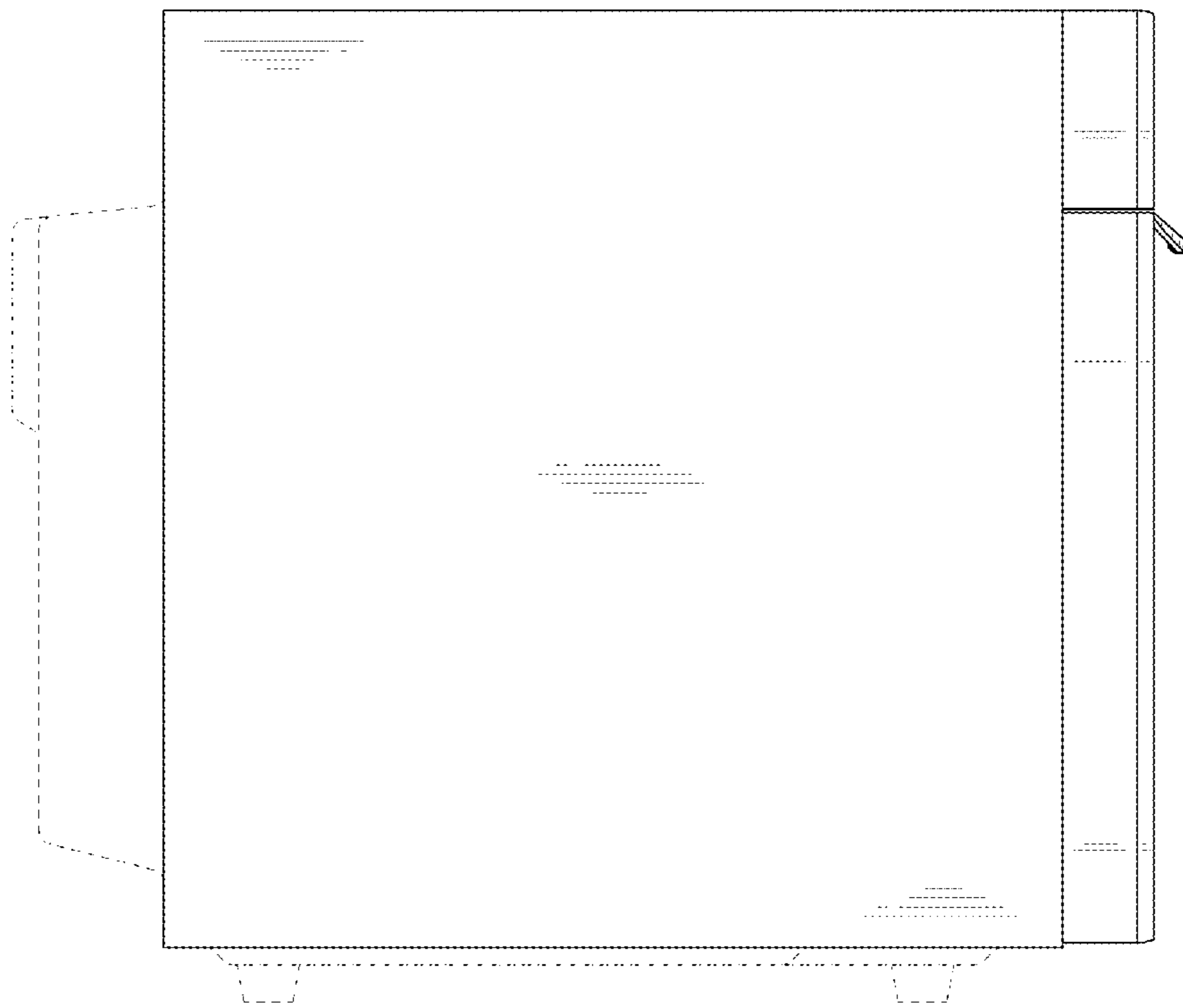


FIG. 5

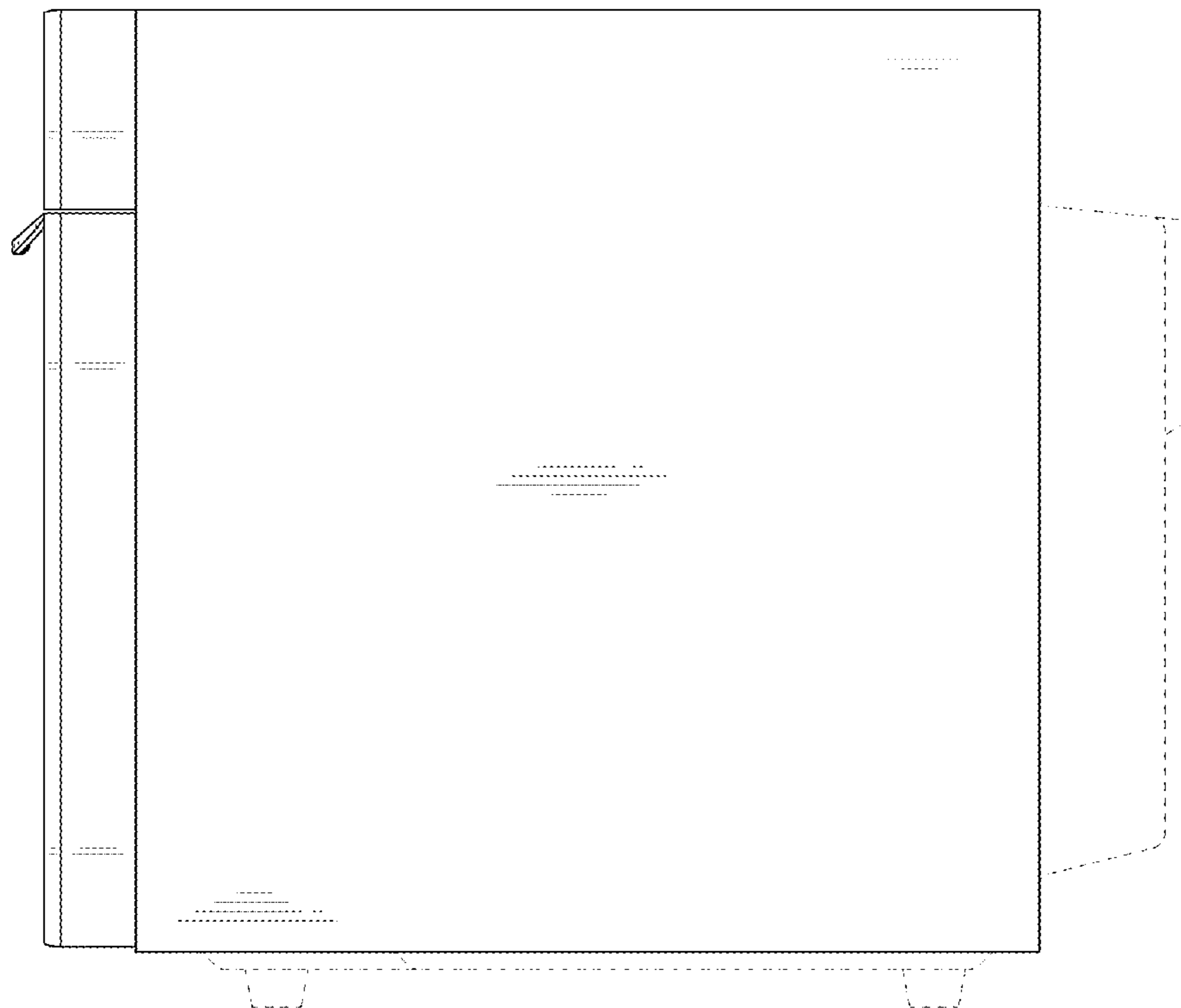


FIG. 6

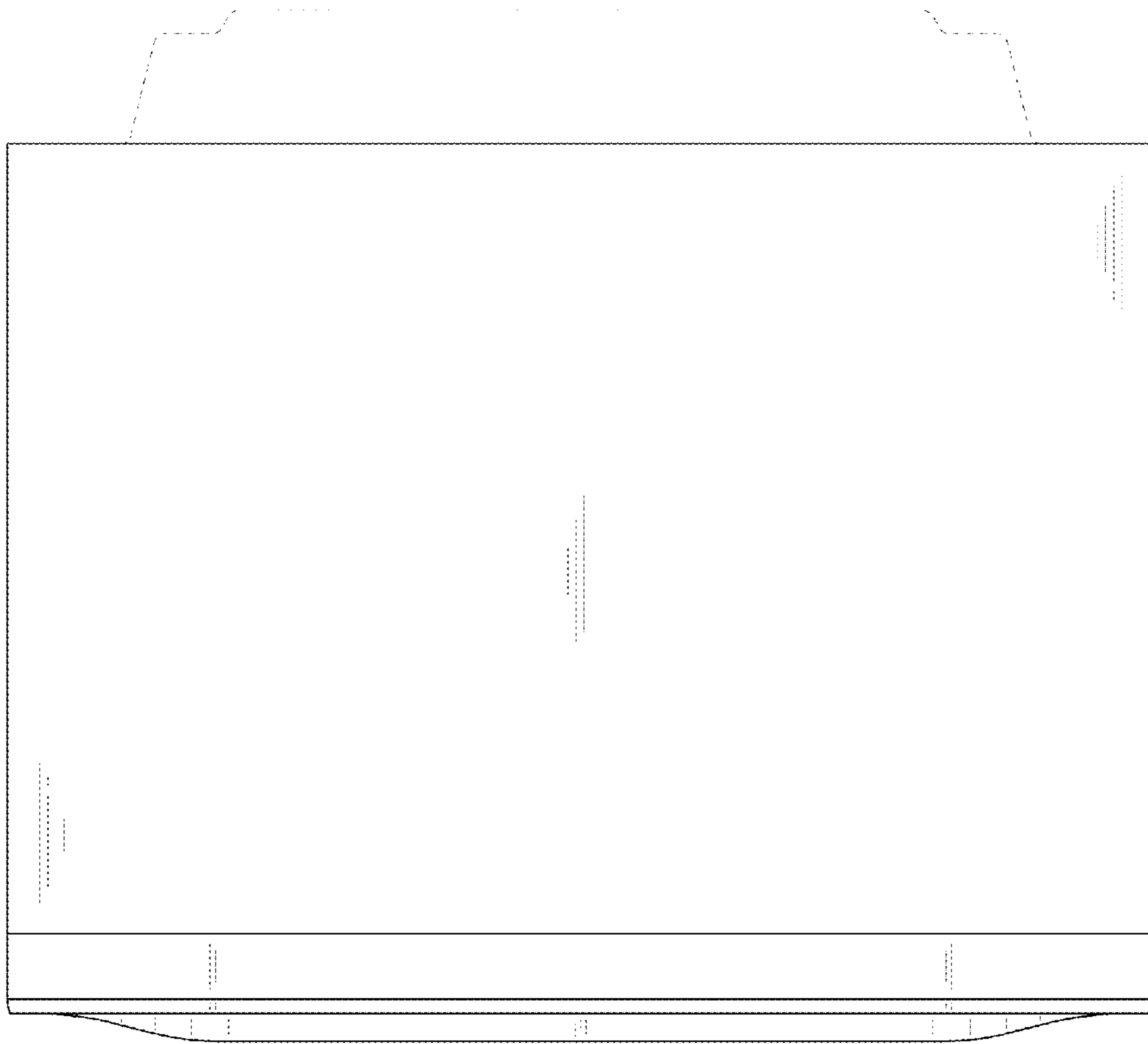




FIG. 7

