



US00D764852S

(12) **United States Design Patent** (10) **Patent No.:** **US D764,852 S**  
**Schwamkrug et al.** (45) **Date of Patent:** **\*\* \*Aug. 30, 2016**

(54) **COMBI OVEN WITH HORIZONTAL RECTANGULAR HOUSING**

(56) **References Cited**

U.S. PATENT DOCUMENTS

(71) Applicant: **Convotherm Elektrogerate GmbH**, Eglfing (DE)  
(72) Inventors: **Christian Schwamkrug**, Zeel am See (AT); **Siegfried Ebner**, Zell am See (AT); **Martin Behle**, Remscheid (DE); **Hannes Laessig**, Munich (DE); **Stan Smits**, Weilheim (DE); **Herbert Fischhaber**, Peibeneberg (DE)

D318,775 S *	8/1991	Bonnet et al.	.....	D7/350.3
D343,090 S *	1/1994	Connell	.....	D7/339
D526,527 S *	8/2006	Jung et al.	.....	D7/348
D560,421 S *	1/2008	Davis	.....	D7/348
D567,571 S *	4/2008	Hillmann et al.	.....	D7/347
D598,236 S *	8/2009	Dyson et al.	.....	D7/328
D609,958 S *	2/2010	Chung et al.	.....	D7/330
D611,753 S *	3/2010	Gammack et al.	.....	D7/306
D657,184 S *	4/2012	Segato	.....	D7/348
D657,185 S *	4/2012	Segato	.....	D7/348
D669,727 S *	10/2012	Pagano	.....	D7/307
D702,482 S *	4/2014	Davis et al.	.....	D7/350.1
2005/0178757 A1 *	8/2005	Starr et al.	.....	219/386

(73) Assignee: **Convotherm Elektrogeraete GmbH**, Eglfing (DE)

\* cited by examiner

(\*) Notice: This patent is subject to a terminal disclaimer.

*Primary Examiner* — Ricky Pham  
(74) *Attorney, Agent, or Firm* — Ohlandt, Greeley, Ruggiero & Perle, LLP

(\*\*) Term: **14 Years**

(57) **CLAIM**

(21) Appl. No.: **29/493,040**

The ornamental design for a combi oven with horizontal rectangular housing, as shown and described.

(22) Filed: **Jun. 5, 2014**

**DESCRIPTION**

(30) **Foreign Application Priority Data**

Apr. 8, 2014 (CN) ..... 2014 3 0080697

(51) **LOC (10) Cl.** ..... **07-02**

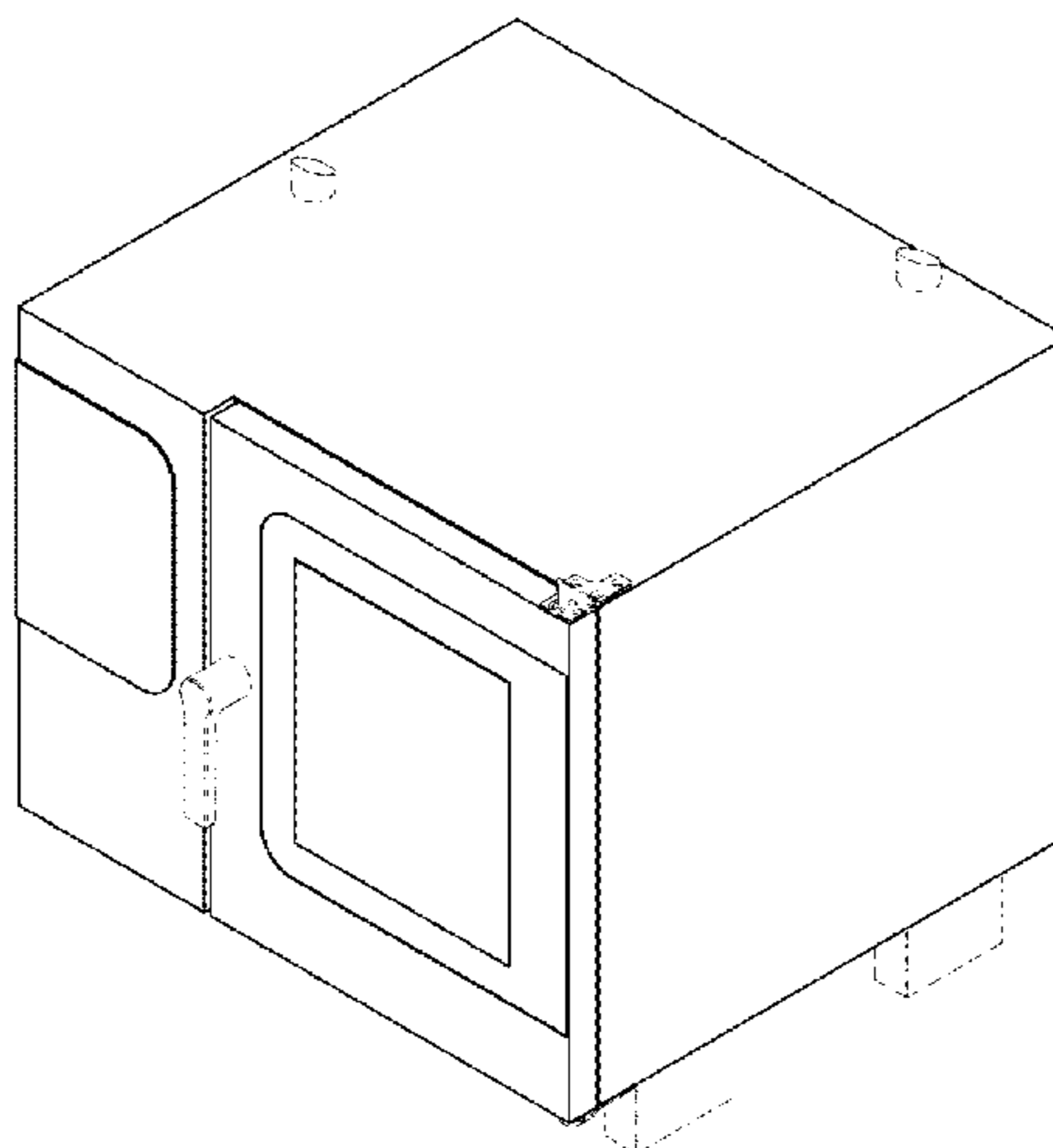
(52) **U.S. Cl.**  
USPC ..... **D7/339**

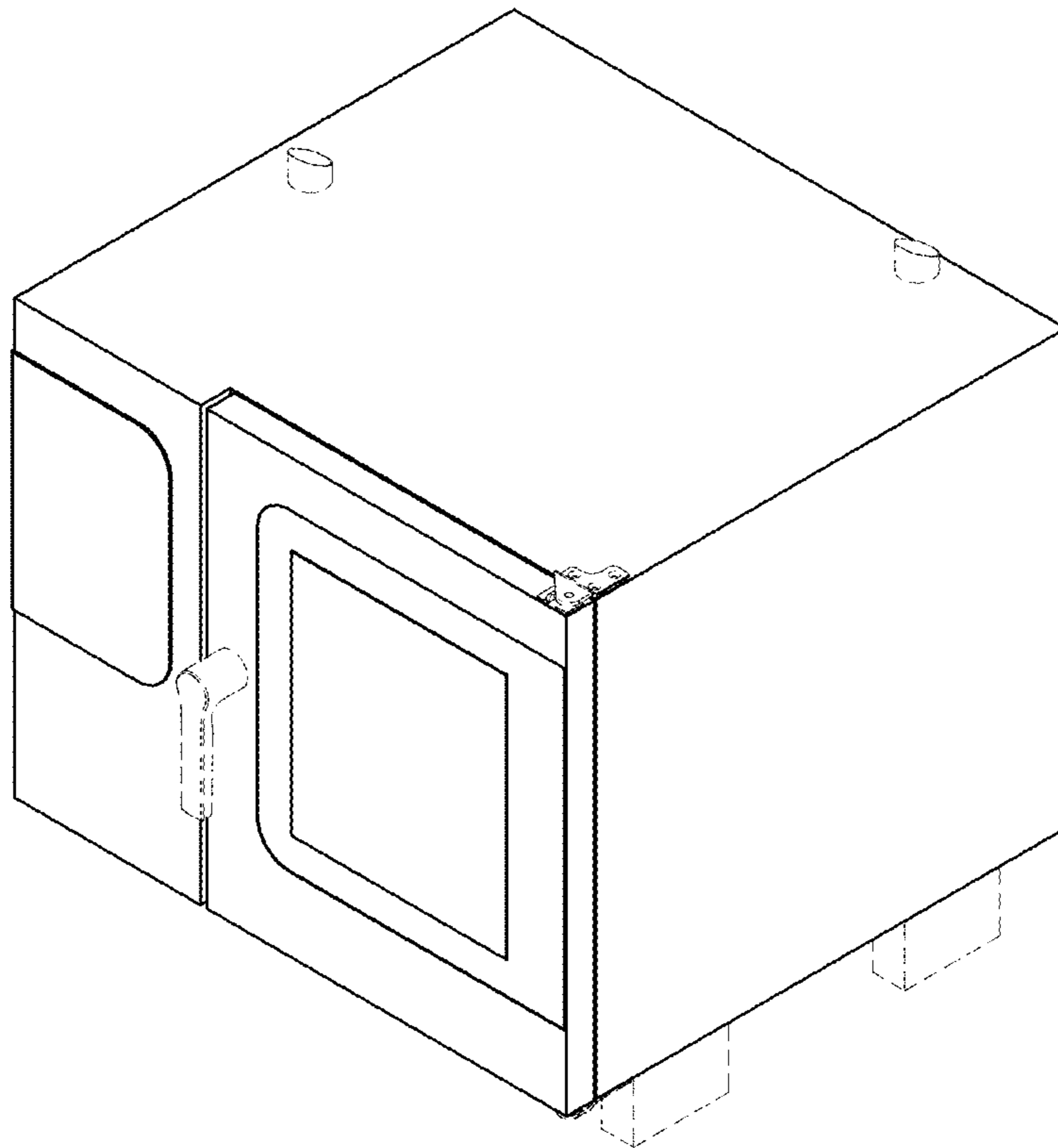
(58) **Field of Classification Search**  
USPC ..... D7/306-307, 323, 328-330, 339, D7/347-348, 350.1, 350.3, 390  
CPC ..... A21B 2/00; A47J 37/00; A47J 37/06; A47J 37/0611; A47J 37/08; A47J 37/0807; A47J 37/0814; A47J 37/0835; A47J 37/0842; A47J 37/085; A47J 37/0864; A47J 37/0878; A47J 37/0885; A47J 37/0892; F24C 15/10; F24C 15/102

FIG. 1 is a top, front, side perspective view of a combi oven with horizontal rectangular housing according to the present design;  
FIG. 2 is a front view of the combi oven with horizontal rectangular housing of FIG. 1;  
FIG. 3 is a rear view of the combi oven with horizontal rectangular housing of FIG. 1;  
FIG. 4 is a right side view of the combi oven with horizontal rectangular housing of FIG. 1;  
FIG. 5 is a left side view of the combi oven with horizontal rectangular housing of FIG. 1;  
FIG. 6 is a top view of the combi oven with horizontal rectangular housing of FIG. 1; and,  
FIG. 7 is a bottom view of the combi oven with horizontal rectangular housing of FIG. 1.  
The broken line showing of FIGS. 1-7 is for the purpose of illustrating environmental structure and forms no part of the claimed design.

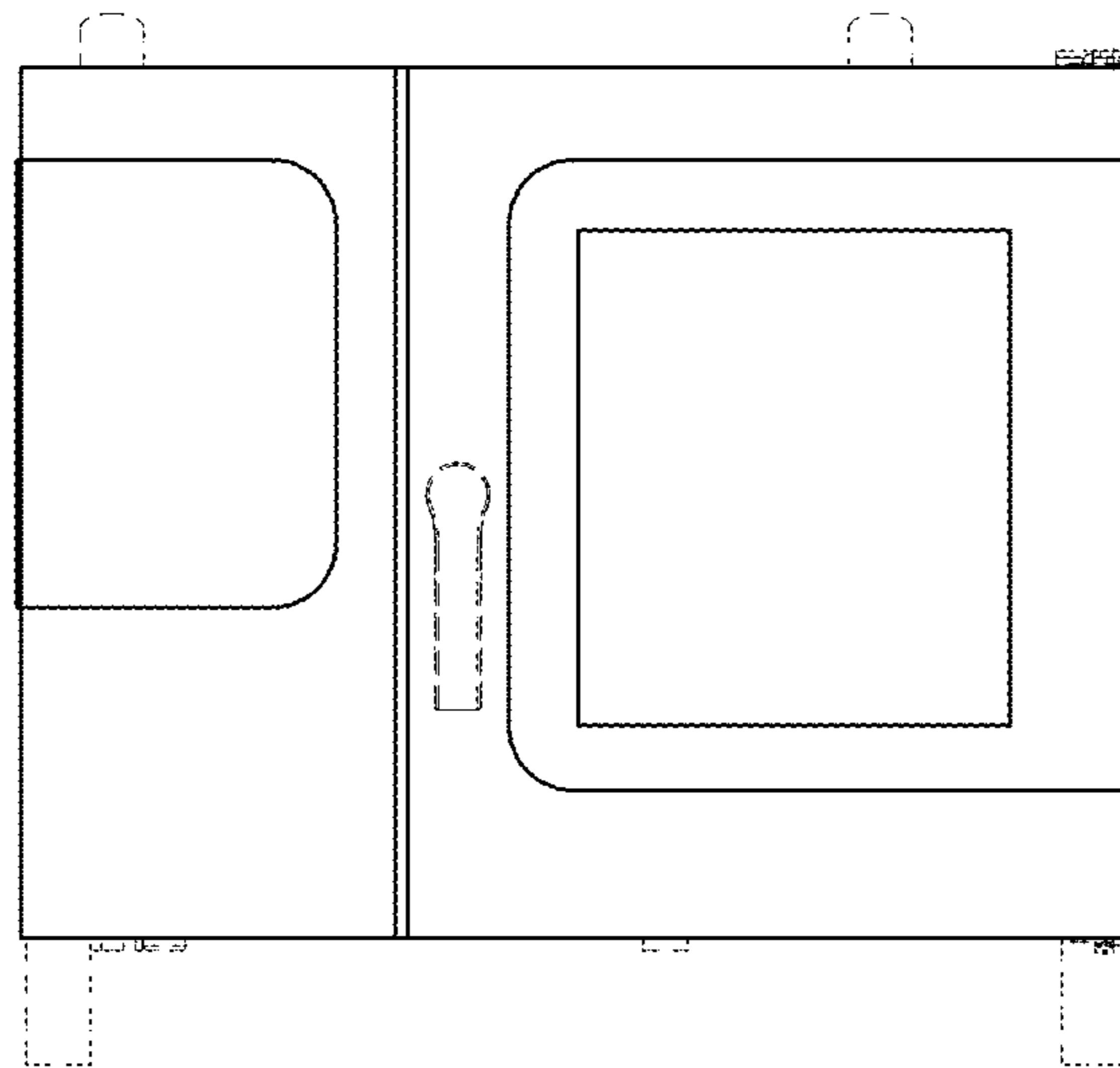
See application file for complete search history.

**1 Claim, 7 Drawing Sheets**

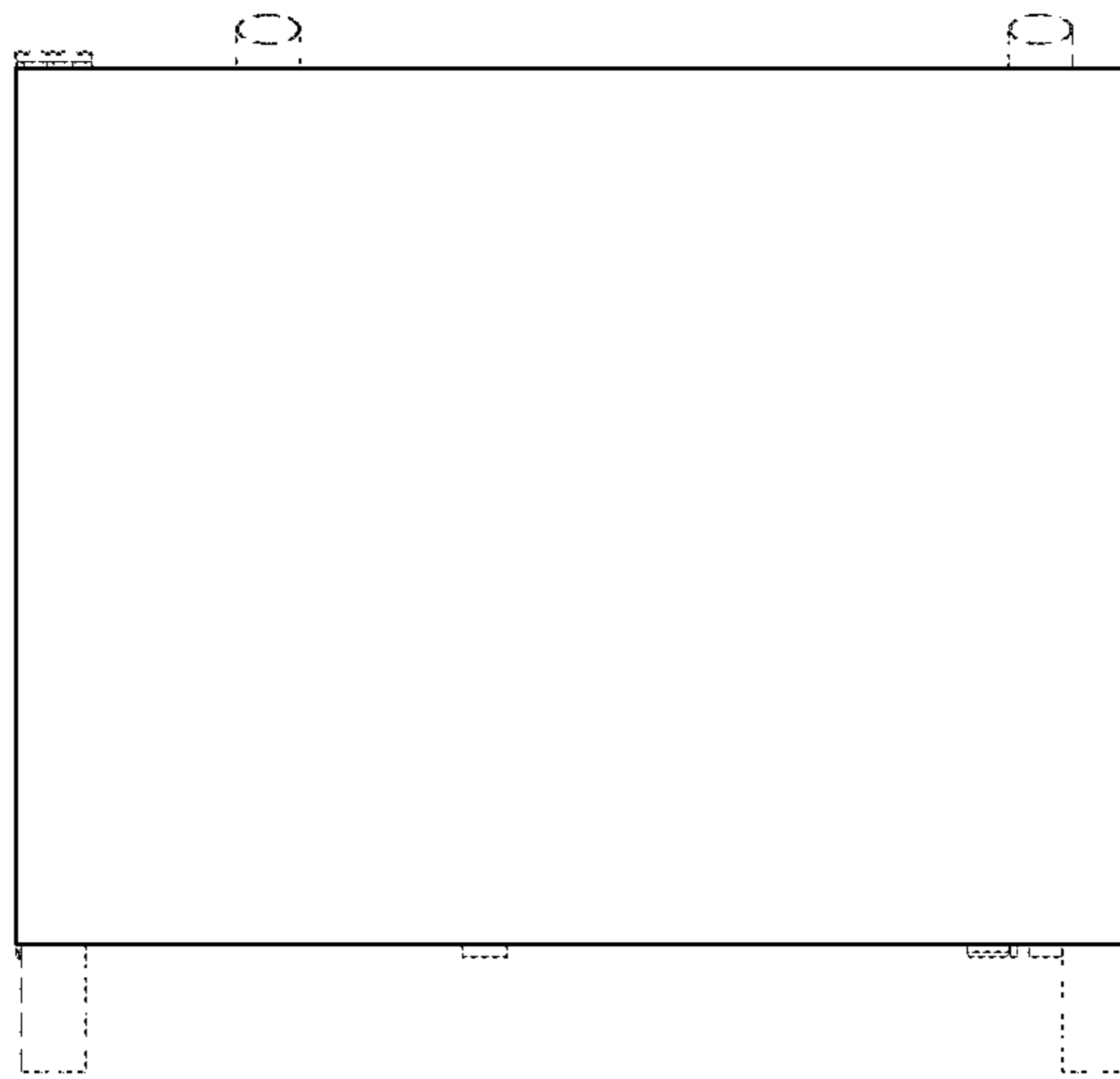




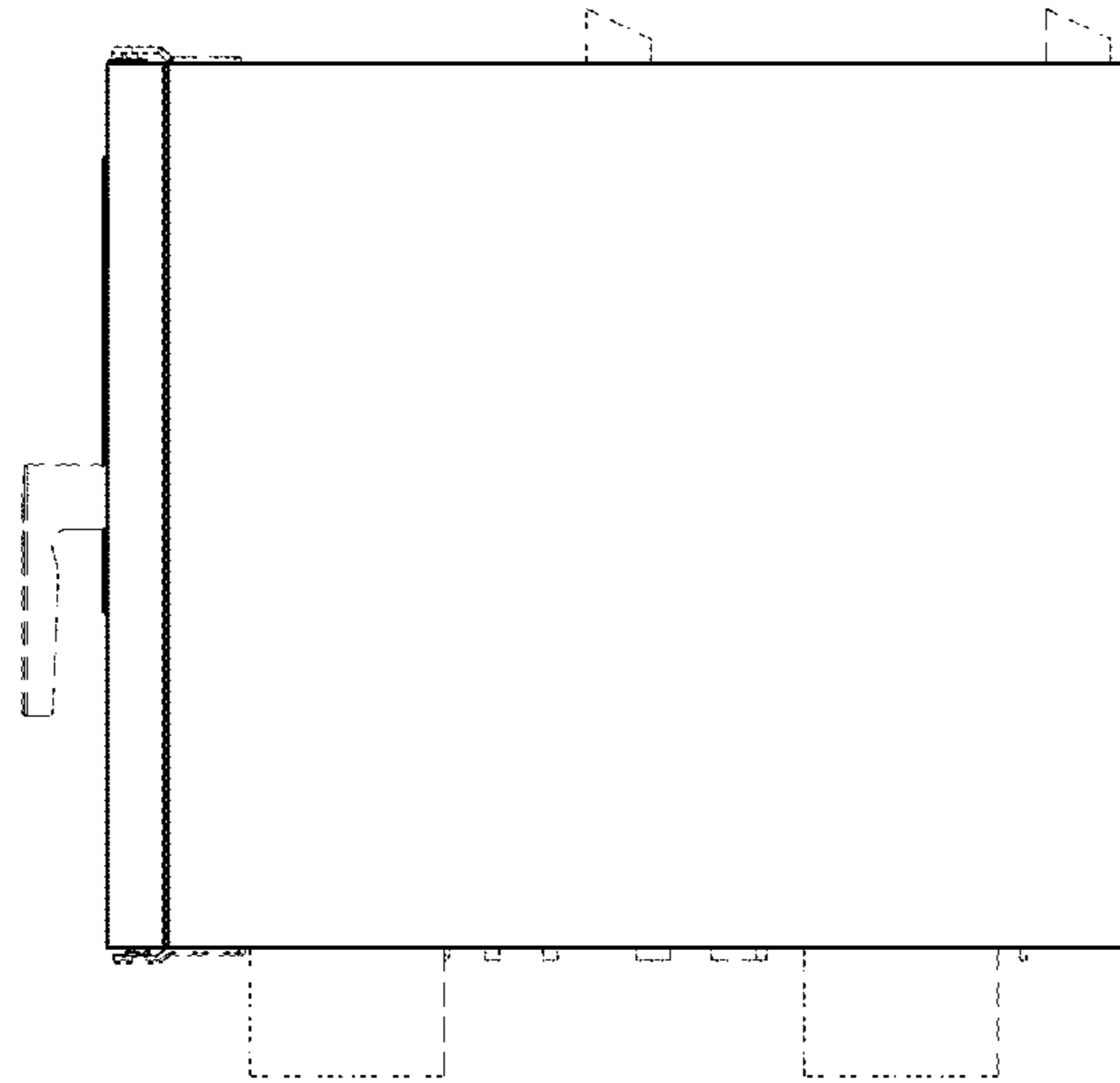
*FIG. 1*



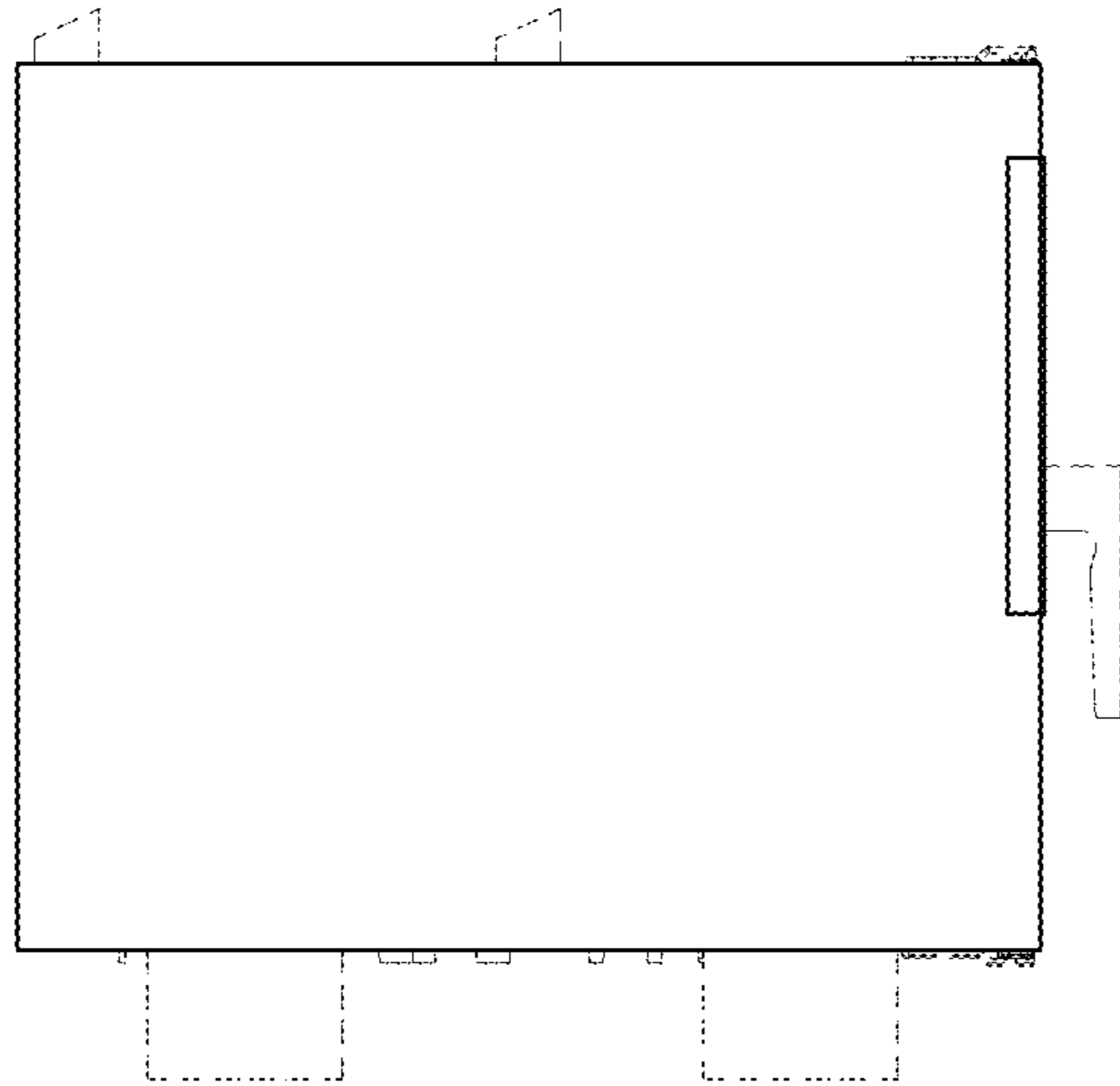
*FIG. 2*



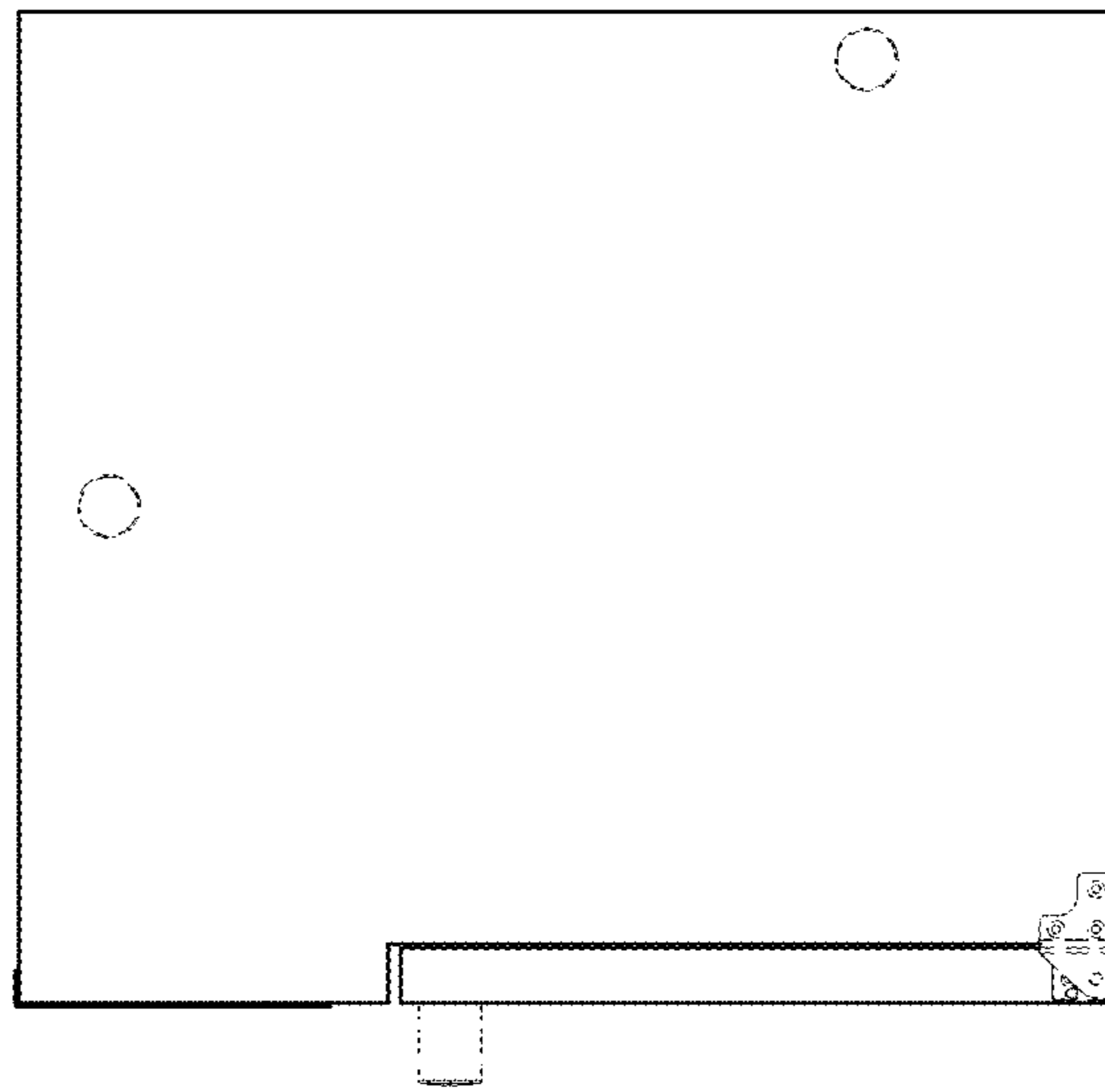
*FIG. 3*



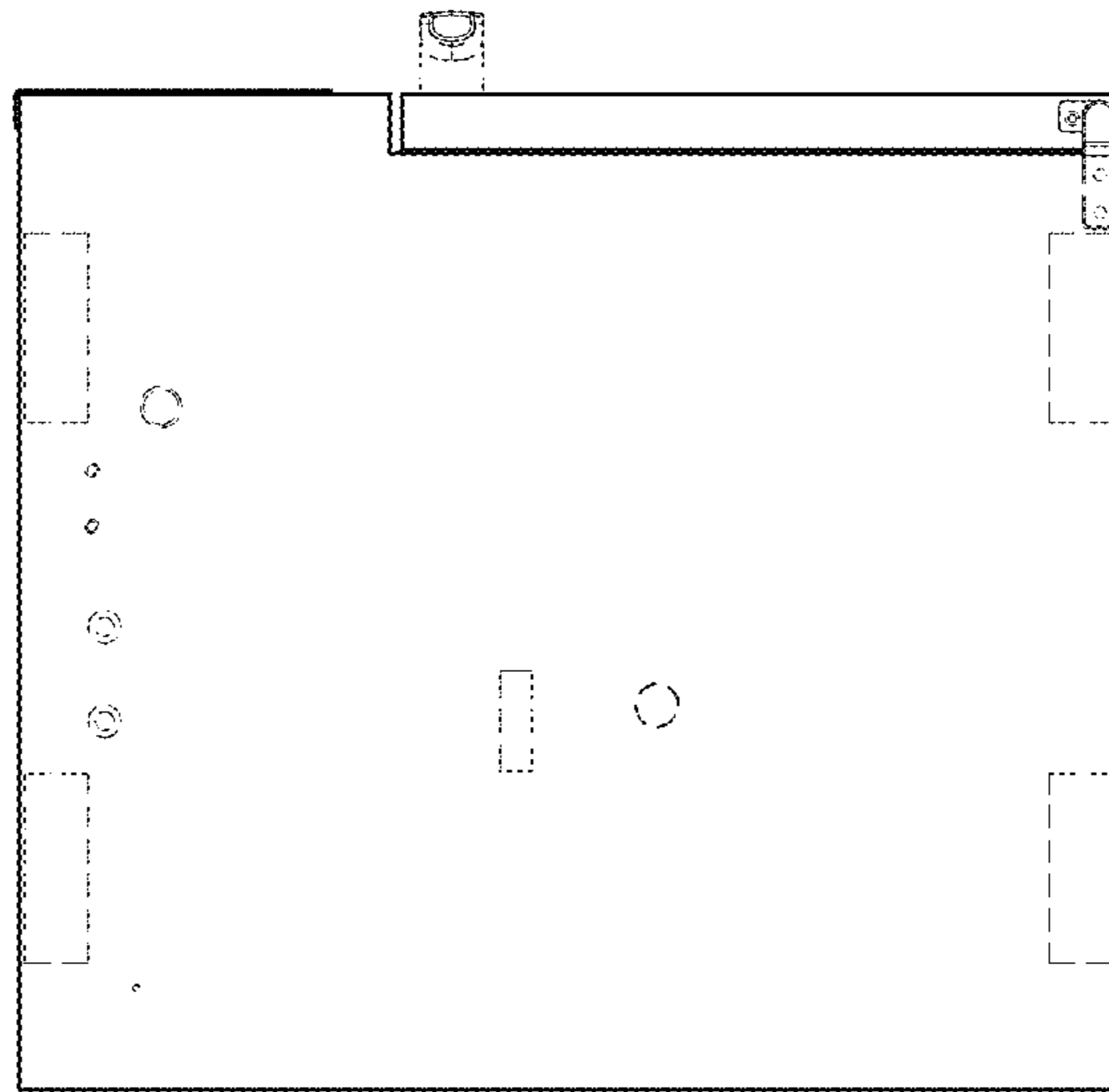
*FIG. 4*



*FIG. 5*



*FIG. 6*



*FIG. 7*