



US00D764850S

(12) **United States Design Patent**
Davidson et al.

(10) **Patent No.:** **US D764,850 S**
(45) **Date of Patent:** **** Aug. 30, 2016**

(54) **CHAIR**

(71) Applicant: **Marco Group, Inc.**, Neosho, MO (US)

(72) Inventors: **Richard D. Davidson**, Neosho, MO (US); **Len A. Coates**, Carthage, MO (US); **Wade A. F. Maple**, Spokane, WA (US)

(73) Assignee: **Marco Group, Inc.**, Neosho, MO (US)

(**) Term: **15 Years**

(21) Appl. No.: **29/532,589**

(22) Filed: **Jul. 8, 2015**

(51) **LOC (10) Cl.** **06-01**

(52) **U.S. Cl.**
USPC **D6/716; D6/375**

(58) **Field of Classification Search**
USPC D6/334-336, 371, 372, 373, 374, 375, D6/376, 716, 716.1, 716.2, 716.4
CPC A47C 4/02; A47C 4/03; A47C 3/12; A47C 5/12; A47C 7/16
See application file for complete search history.

(56) **References Cited**

U.S. PATENT DOCUMENTS

D197,643 S * 3/1964 Kramer D6/366
3,133,765 A * 5/1964 Kramer A47C 3/12
248/188
D346,911 S * 5/1994 Lucci D6/374

D409,407 S * 5/1999 Wang D6/374
D410,152 S * 5/1999 Pensi Lombardo D6/375
D471,729 S * 3/2003 Glass D6/375
D499,260 S * 12/2004 Glass D6/375
D522,265 S * 6/2006 Glass D6/375
D549,018 S * 8/2007 Glass D6/375
D572,928 S * 7/2008 Rittfeldt D6/375
D597,758 S * 8/2009 Barrett D6/375
D648,561 S * 11/2011 Johansson D6/375
D648,564 S * 11/2011 Johansson D6/375

* cited by examiner

Primary Examiner — Mimoso De

(74) *Attorney, Agent, or Firm* — Martin & Associates, LLC; Derek P. Martin

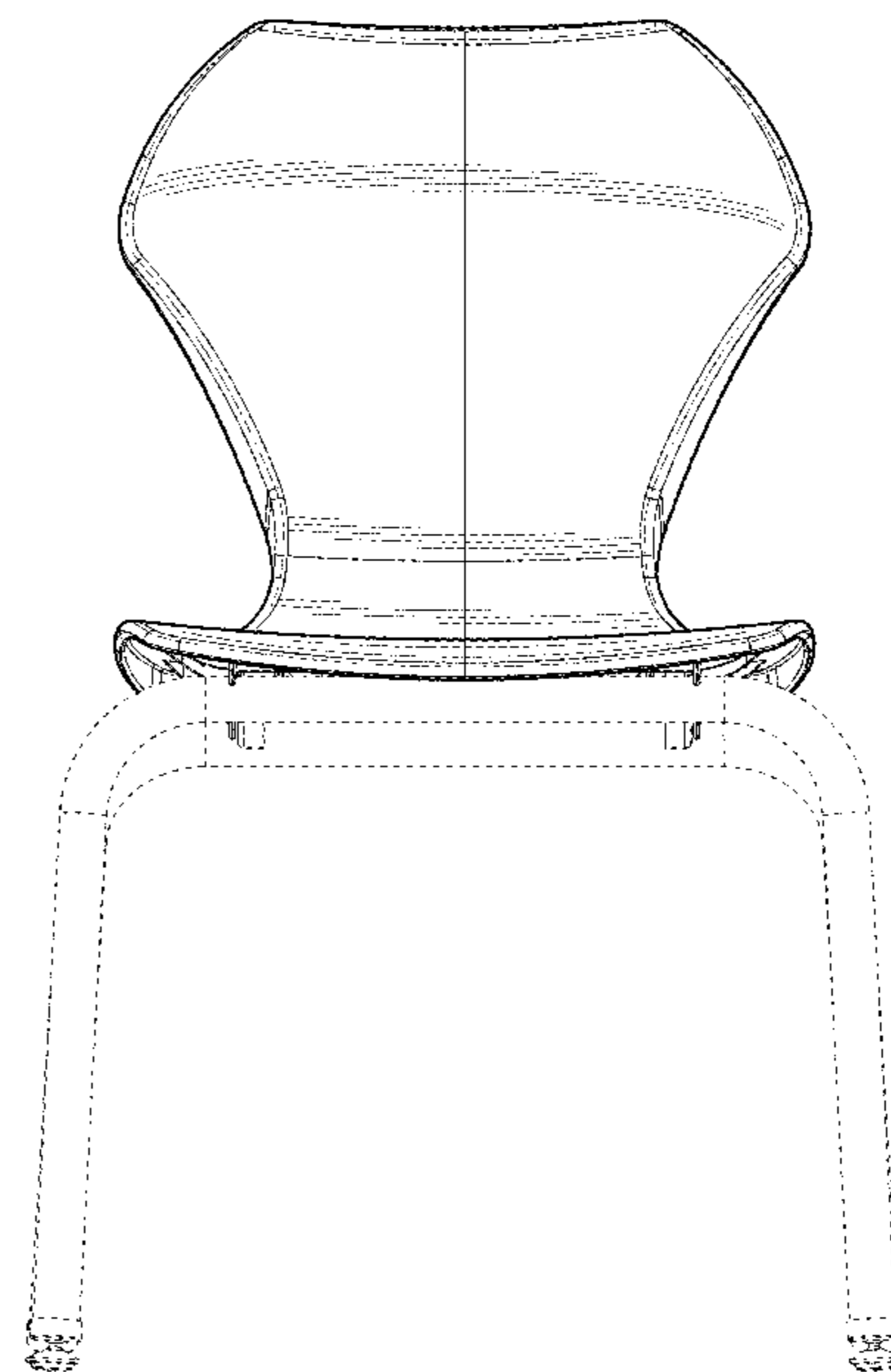
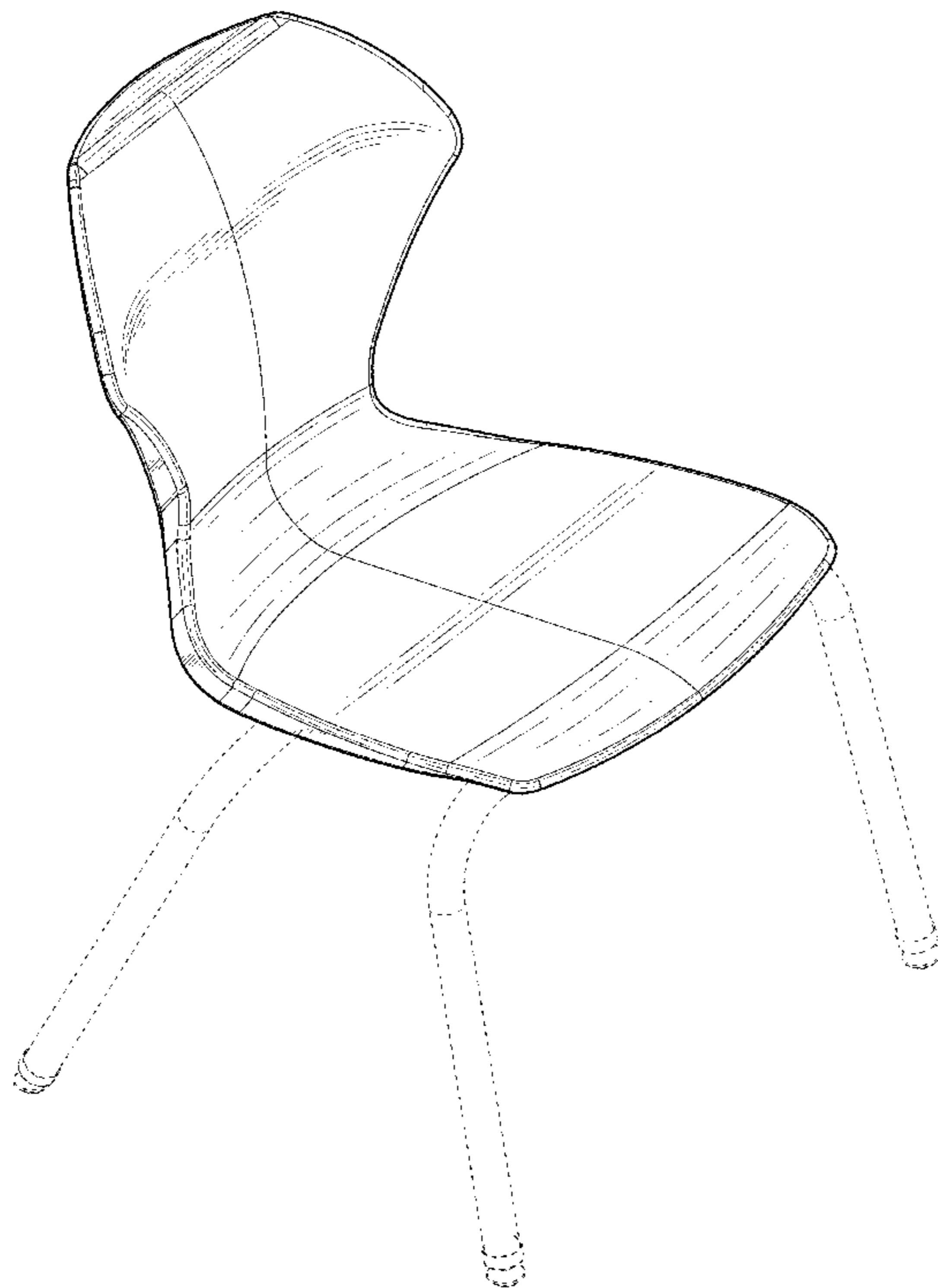
(57) **CLAIM**

The ornamental design for a chair, as shown and described.

DESCRIPTION

FIG. 1 is an upper perspective view of a chair showing my new design;
FIG. 2 is a lower perspective view thereof;
FIG. 3 is a front view thereof;
FIG. 4 is a back view thereof;
FIG. 5 is a left side view thereof, the right side view being a mirror image;
FIG. 6 is a top view thereof; and,
FIG. 7 is a bottom view thereof.
The broken lines showing the chair legs and feet are for the purposes of illustration and form no part of the claimed design.

1 Claim, 6 Drawing Sheets



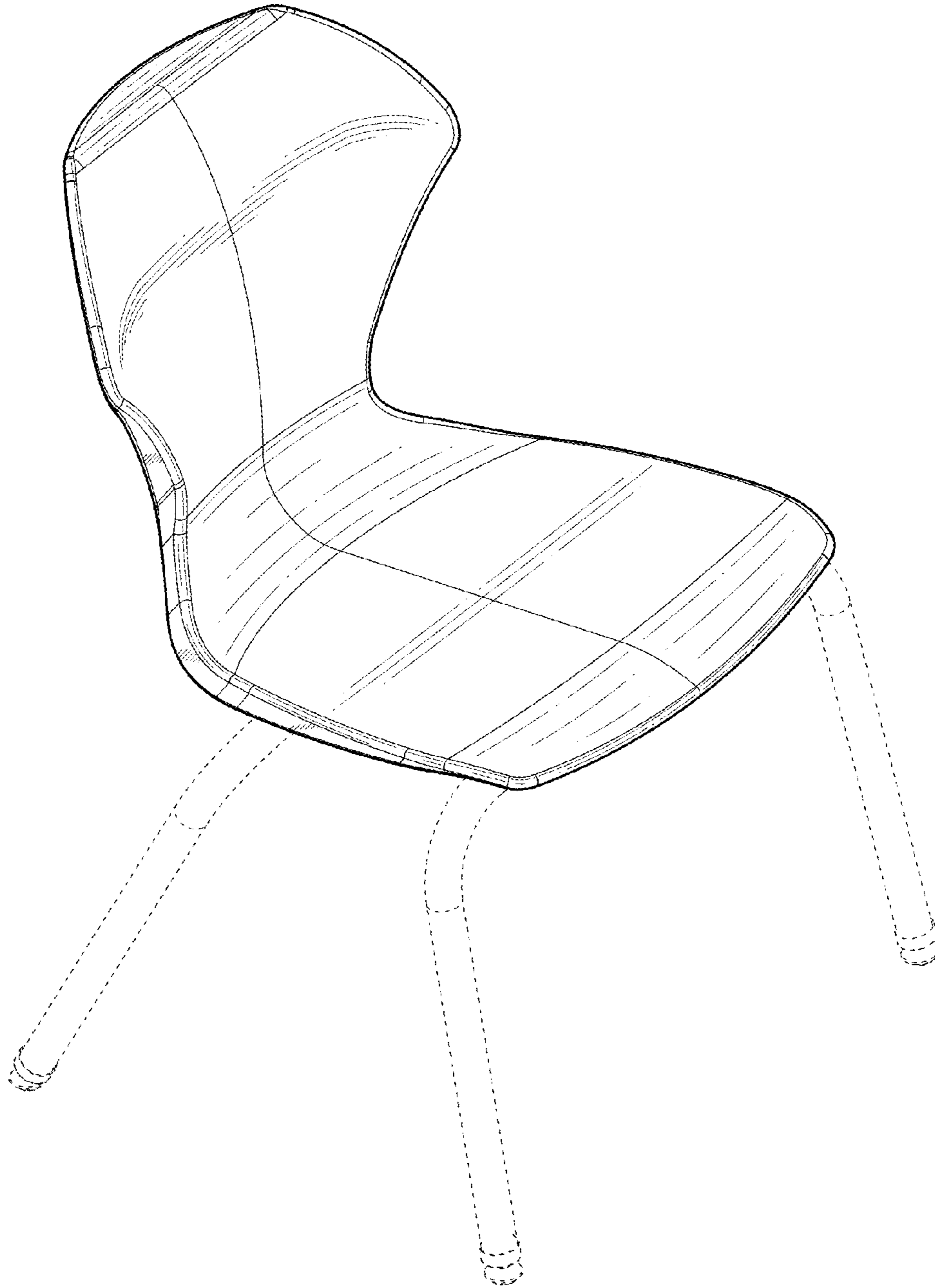


FIG. 1

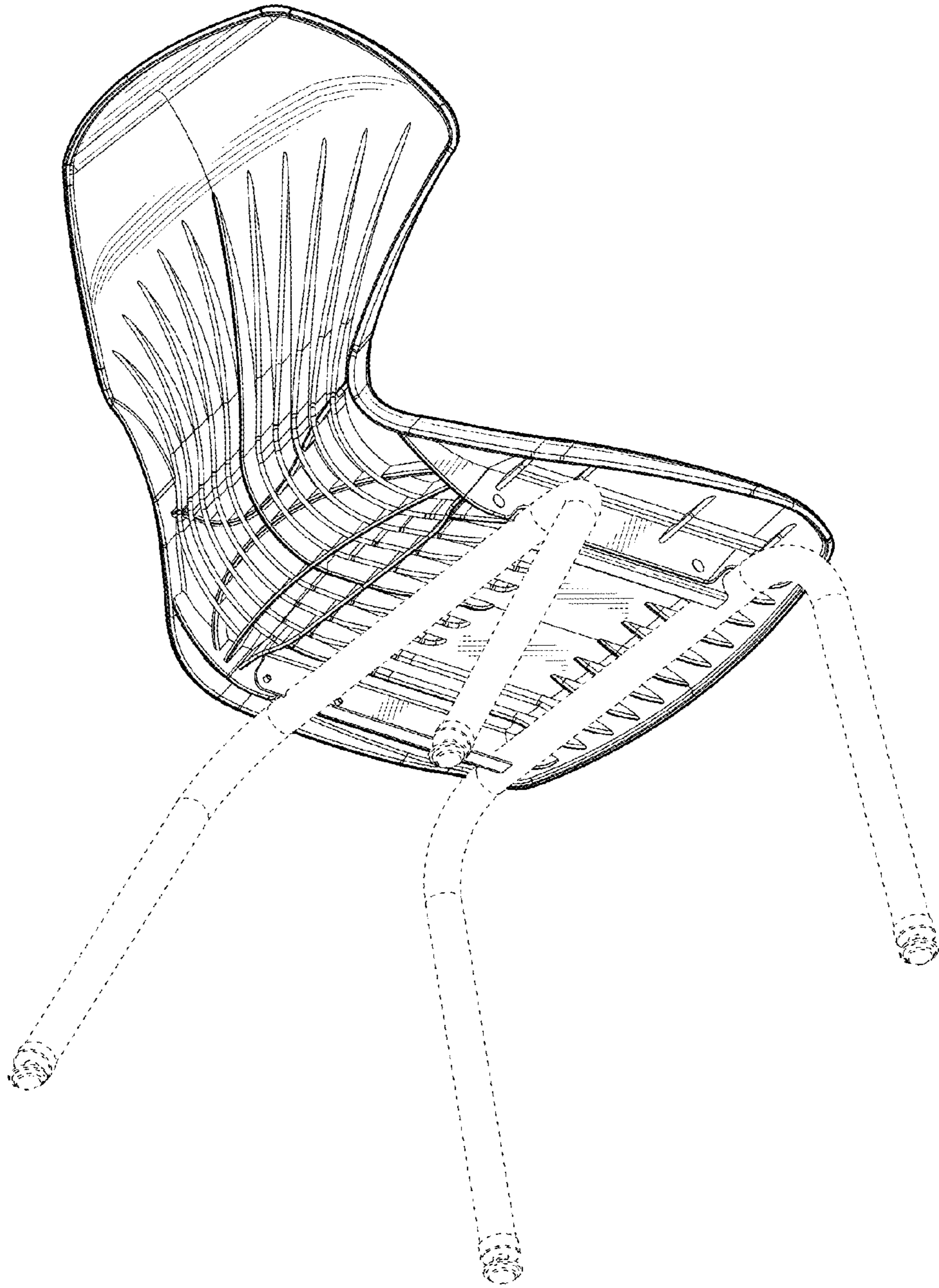


FIG. 2

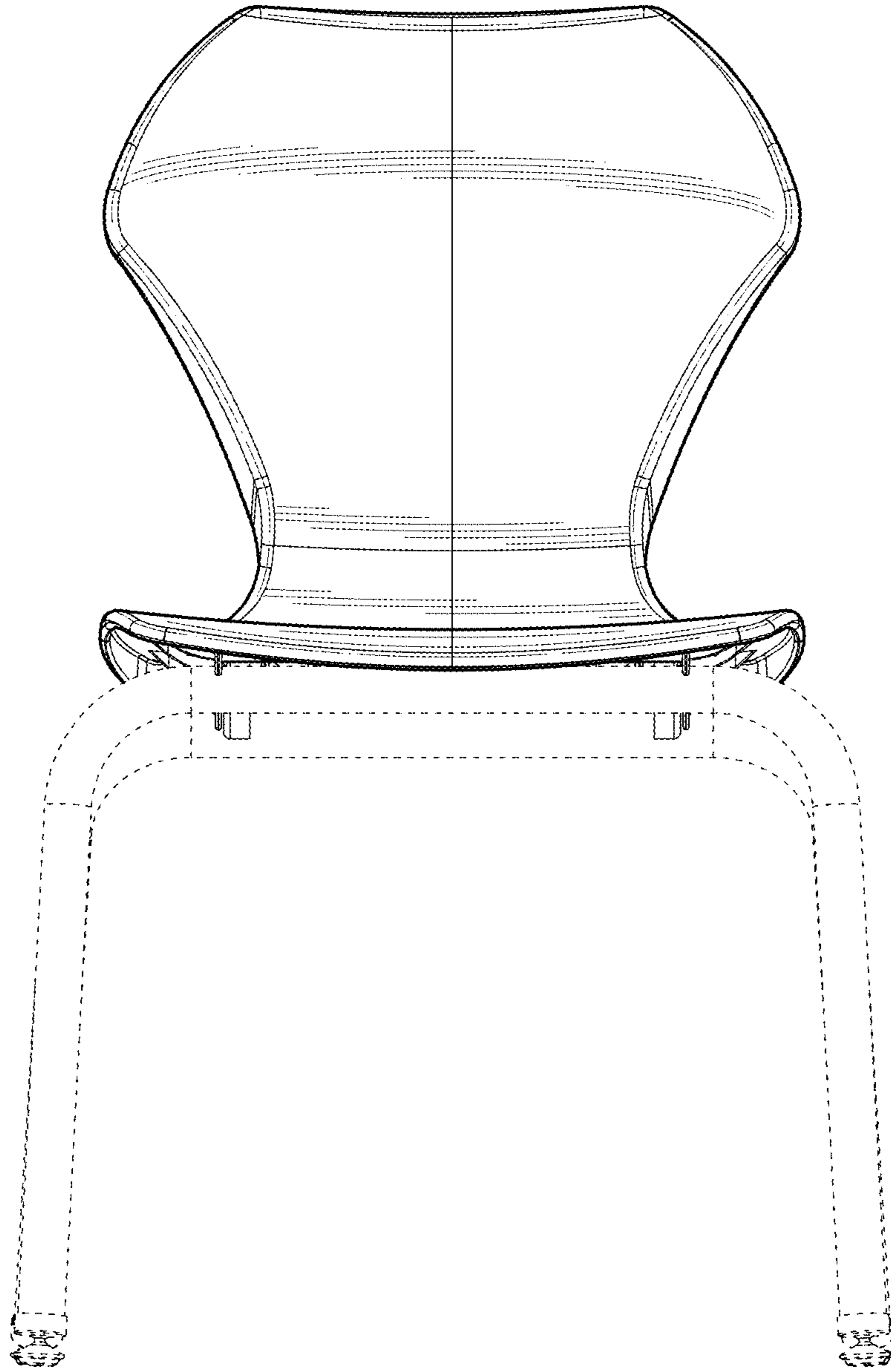


FIG. 3

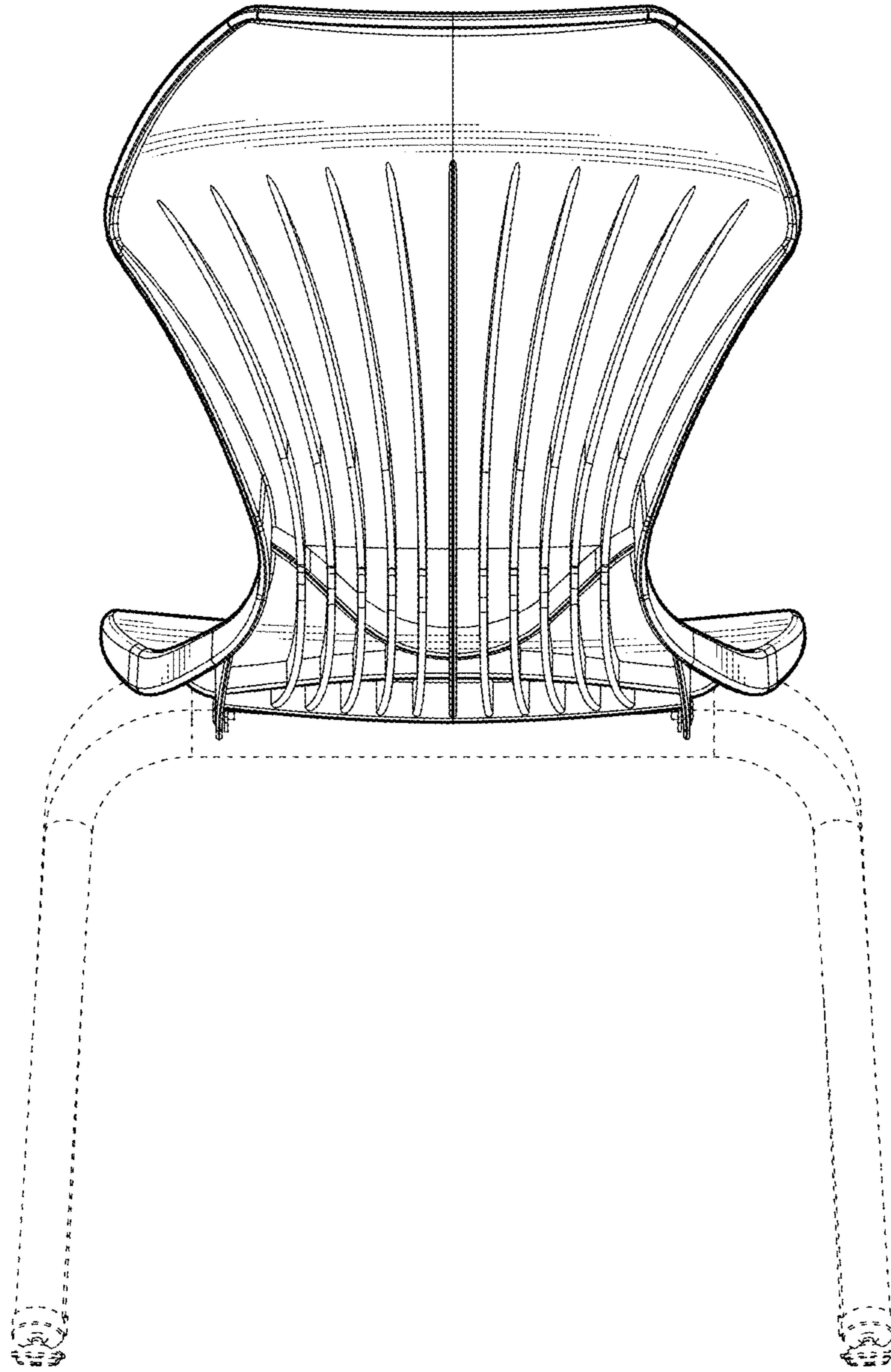


FIG. 4

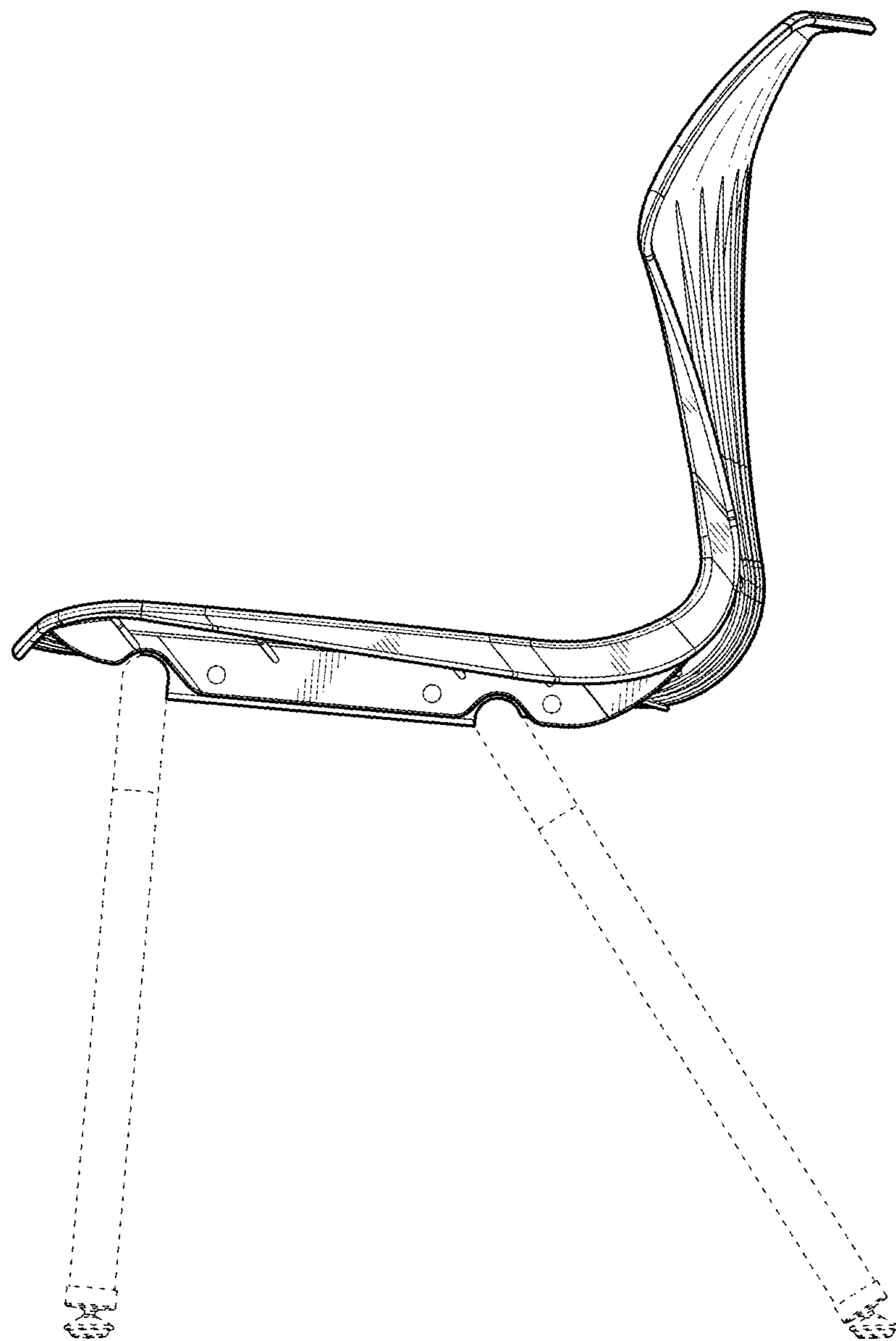


FIG. 5

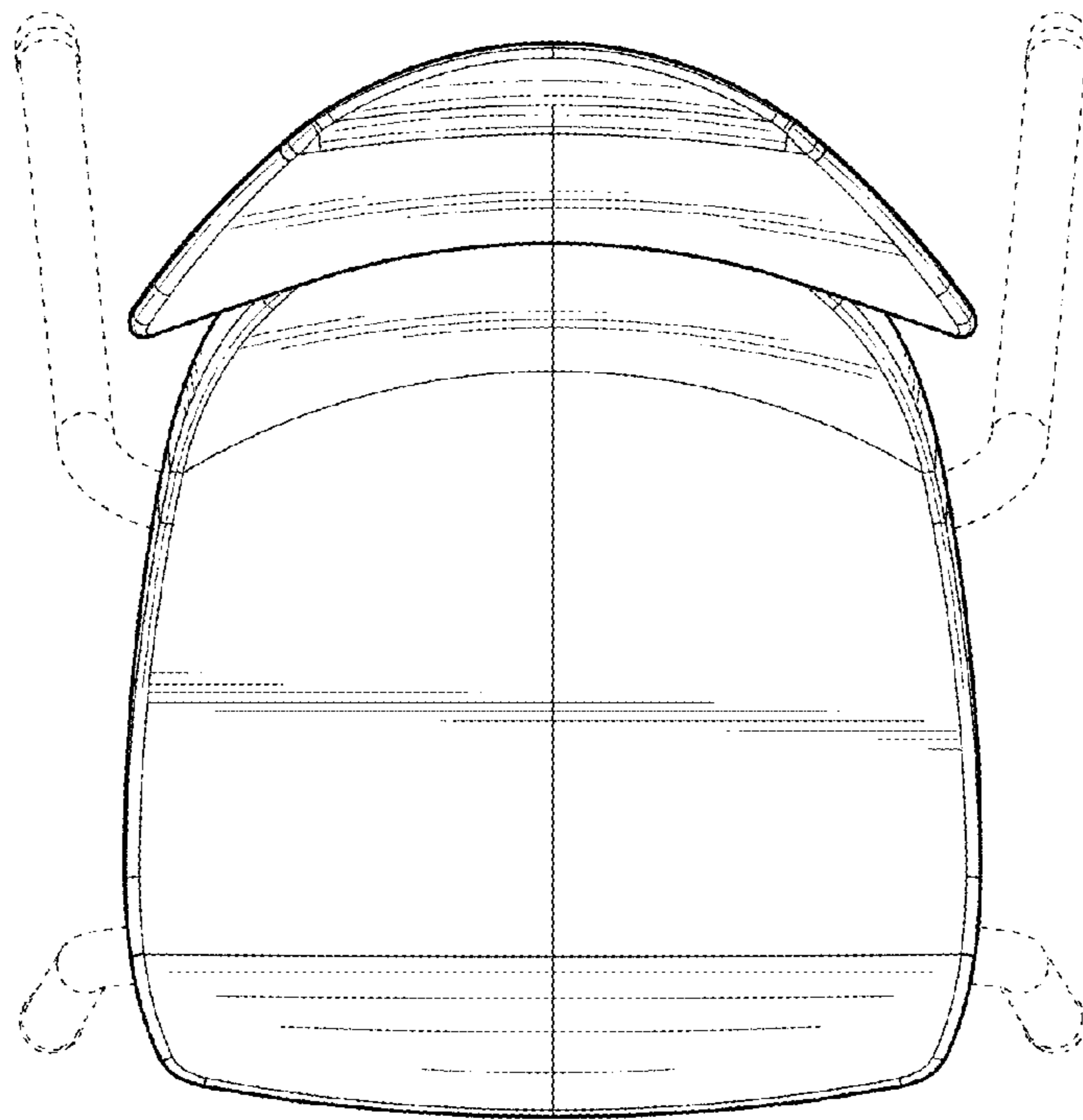


FIG. 6

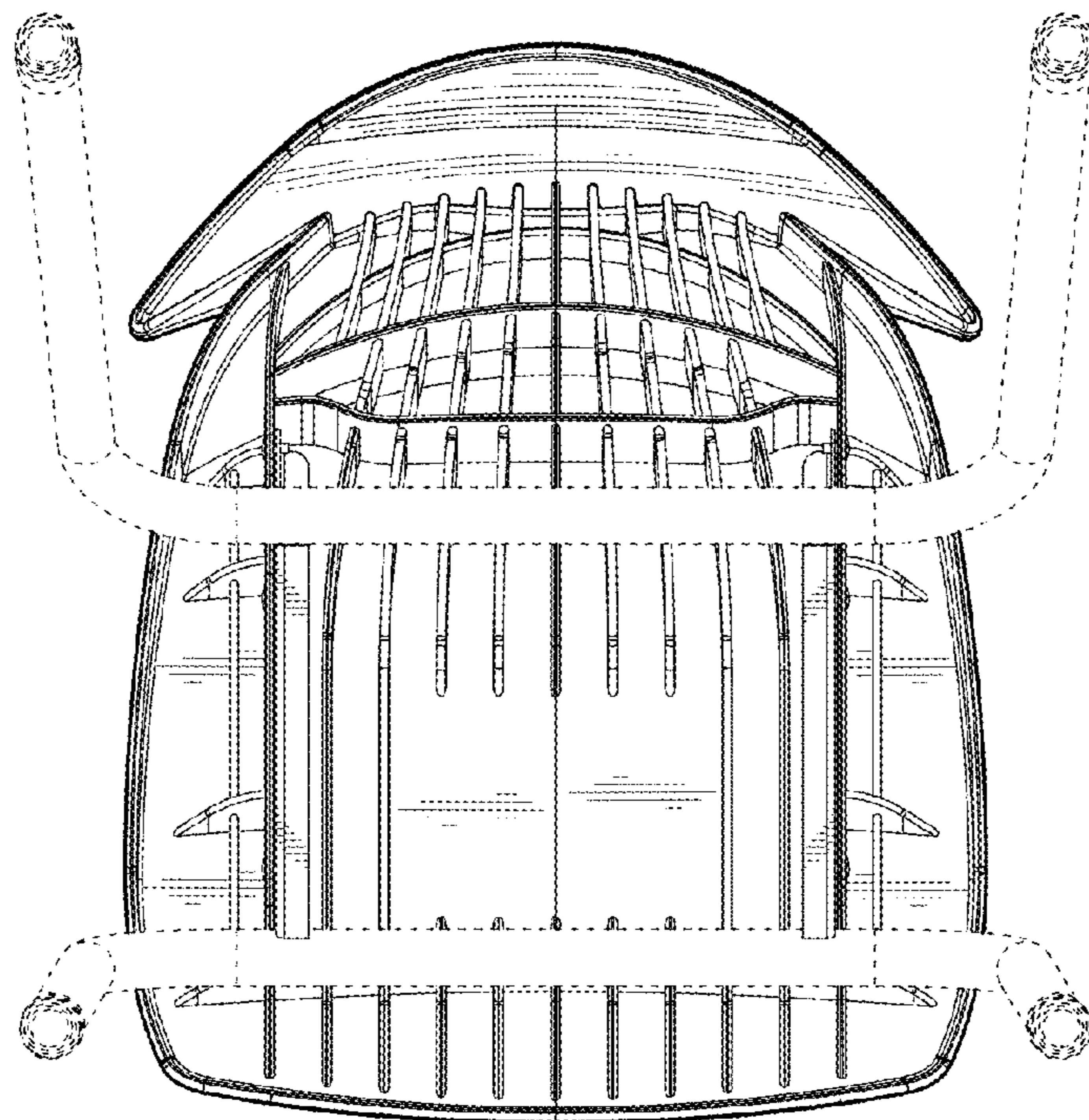


FIG. 7