

US00D764849S

(12) **United States Design Patent**
Piretti

(10) **Patent No.:** **US D764,849 S**

(45) **Date of Patent:** **** *Aug. 30, 2016**

(54) **CHAIR**

DESCRIPTION

(71) Applicant: **Pro-Cord S.p.A.**, Bologna (IT)

(72) Inventor: **Giancarlo Piretti**, Bologna (IT)

(73) Assignee: **PRO-CORD S.P.A.**, Bologna (IT)

(*) Notice: This patent is subject to a terminal disclaimer.

(**) Term: **14 Years**

(21) Appl. No.: **29/524,496**

(22) Filed: **Apr. 21, 2015**

(51) **LOC (10) Cl.** **06-01**

(52) **U.S. Cl.**
USPC **D6/716; D6/380**

(58) **Field of Classification Search**
USPC D6/334-336, 360, 366, 371, 372, 373,
D6/374, 375, 376, 379, 380, 716, 716.1,
D6/716.4
CPC A47C 3/04; A47C 4/02; A47C 4/03;
A47C 5/04; A47C 3/12; A47C 5/12
See application file for complete search history.

(56) **References Cited**

U.S. PATENT DOCUMENTS

D171,208 S * 12/1953 Jones 297/452.12
D171,210 S * 12/1953 Jones D6/375

(Continued)

FOREIGN PATENT DOCUMENTS

WO 9303653 3/1993

Primary Examiner — Mimoso De

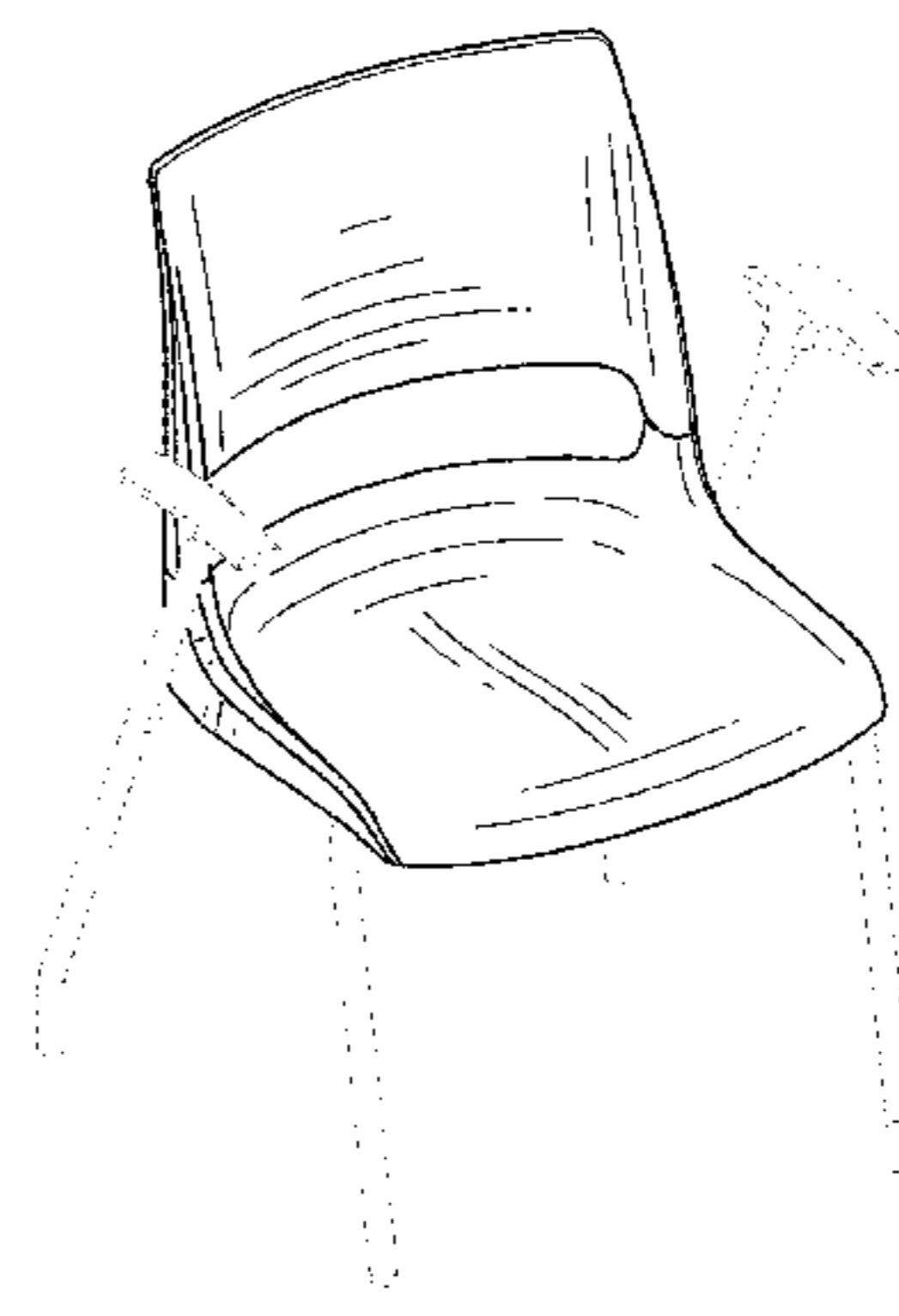
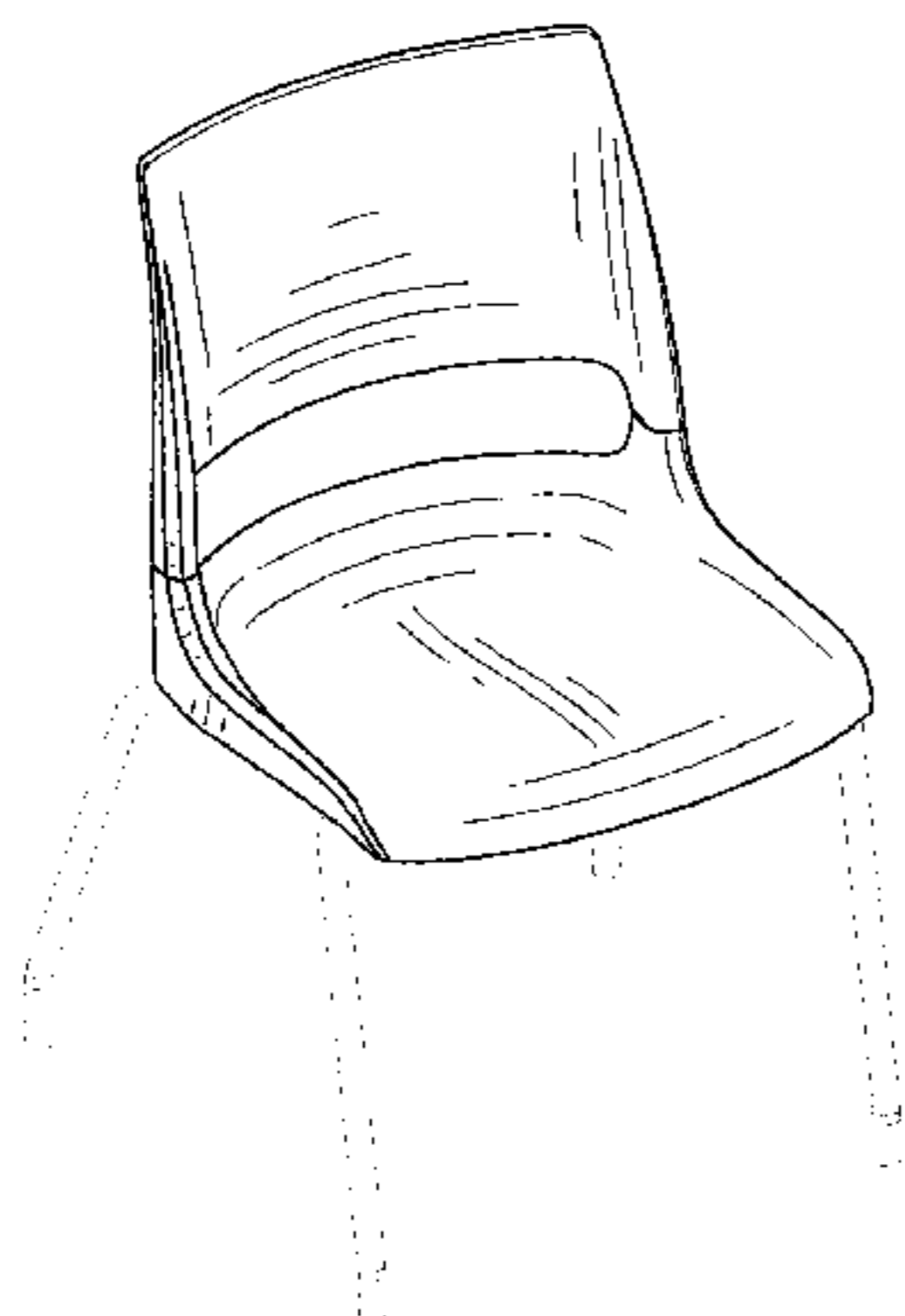
(74) *Attorney, Agent, or Firm* — Andrus Intellectual Property Law, LLP

(57) **CLAIM**

The ornamental design for a chair, as shown and described.

FIG. 1 is an isometric view of a chair;
FIG. 2 is a front elevation view thereof;
FIG. 3 is a back elevation view thereof;
FIG. 4 is a right side elevation view thereof;
FIG. 5 is a left side elevation view thereof;
FIG. 6 is a top plan view thereof;
FIG. 7 is a bottom plan view thereof;
FIG. 8 is an isometric view of a second embodiment of the chair;
FIG. 9 is a front elevation view thereof;
FIG. 10 is a back elevation view thereof;
FIG. 11 is a right side elevation view thereof;
FIG. 12 is a left side elevation view thereof;
FIG. 13 is a top plan view thereof;
FIG. 14 is a bottom plan view thereof;
FIG. 15 is an isometric view of a third embodiment of the chair;
FIG. 16 is a front elevation view thereof;
FIG. 17 is a right side elevation view thereof;
FIG. 18 is an isometric view of a fourth embodiment of the chair;
FIG. 19 is a front elevation view thereof;
FIG. 20 is a right side elevation view thereof, wherein the left side elevation view is a mirror image;
FIG. 21 is an isometric view of a fifth embodiment of the chair;
FIG. 22 is a front elevation view thereof;
FIG. 23 is a right side elevation view thereof, wherein the left side elevation view is a mirror image;
FIG. 24 is an isometric view of a sixth embodiment of the chair;
FIG. 25 is a front elevation view thereof;
FIG. 26 is a right side elevation view thereof, wherein the left side elevation view is a mirror image;
FIG. 27 is an isometric view of a seventh embodiment of the chair;
FIG. 28 is a front elevation view thereof;
FIG. 29 is a right side elevation view thereof;
FIG. 30 is an isometric view of the eighth embodiment of the chair;
FIG. 31 is a front elevation view thereof; and,
FIG. 32 is a right side elevation view thereof, wherein the left side elevation view is a mirror image.
The broken lines shown in the drawing figures are meant to illustrate environment and form no part of the claimed design.

1 Claim, 21 Drawing Sheets



(56)

References Cited

U.S. PATENT DOCUMENTS

2,997,339	A *	8/1961	Wilson	A47C 3/12 297/239	7,293,833	B2	11/2007	Takeuchi et al.	
D207,955	S *	6/1967	Rodrigo	D6/366	7,325,873	B2	2/2008	Stewart et al.	
4,232,900	A	11/1980	Parker			D564,248	S *	3/2008	Alter Molina D6/373
D275,060	S *	8/1984	Buhk	D6/360	D593,761	S *	6/2009	Kaloustian D6/374
D289,120	S *	4/1987	Chadwick	D6/380	D600,464	S *	9/2009	Olano Jauregui D6/373
4,733,910	A *	3/1988	Brennan	A47C 3/04 297/DIG. 2	D607,654	S *	1/2010	Fewchuk D6/374
4,796,952	A	1/1989	Piretti			D611,740	S *	3/2010	Koh D6/375
D300,885	S *	5/1989	Ochsner	D6/380	D637,839	S	5/2011	Piretti	
D307,837	S *	5/1990	Grant	D6/372	D638,641	S	5/2011	Piretti	
D367,982	S *	3/1996	Stirling	D6/366	D643,652	S	8/2011	Piretti	
D368,608	S *	4/1996	Stirling	D6/366	D650,616	S	12/2011	Piretti	
5,580,127	A	12/1996	Piretti			8,113,586	B2	2/2012	Chen	
6,149,236	A	11/2000	Bräuning			8,177,299	B2	5/2012	Fukai	
D515,331	S	2/2006	Piretti			D672,581	S	12/2012	Piretti	
7,118,177	B2	10/2006	Piretti			D673,395	S	1/2013	Piretti	
						D673,396	S	1/2013	Piretti	
						8,540,315	B2	9/2013	Piretti	
						8,668,267	B2	3/2014	Piretti	
						D710,638	S *	8/2014	Bellini D6/716
						2012/0098313	A1	4/2012	Cartis et al.	

* cited by examiner

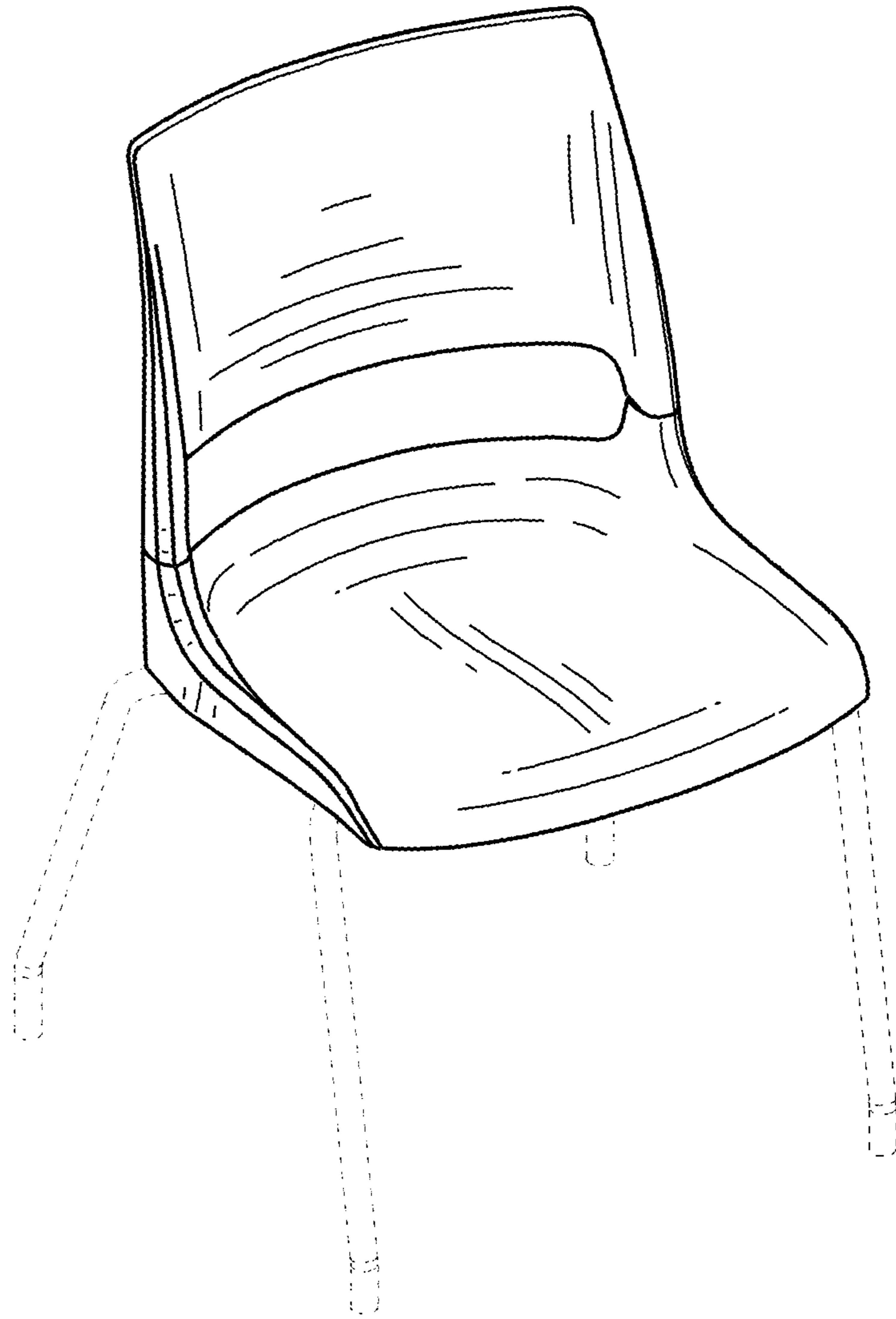


FIG. 1

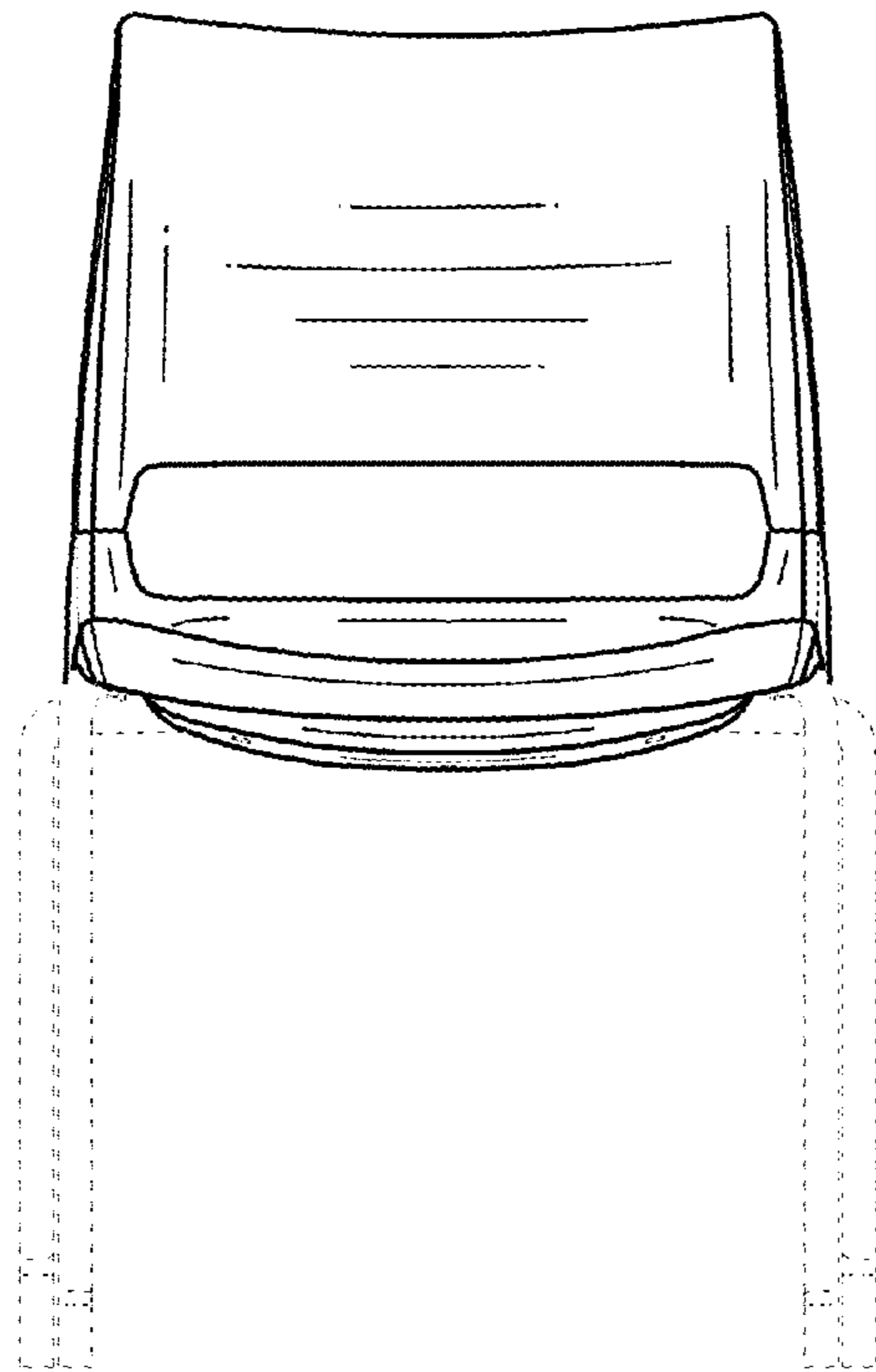


FIG. 2

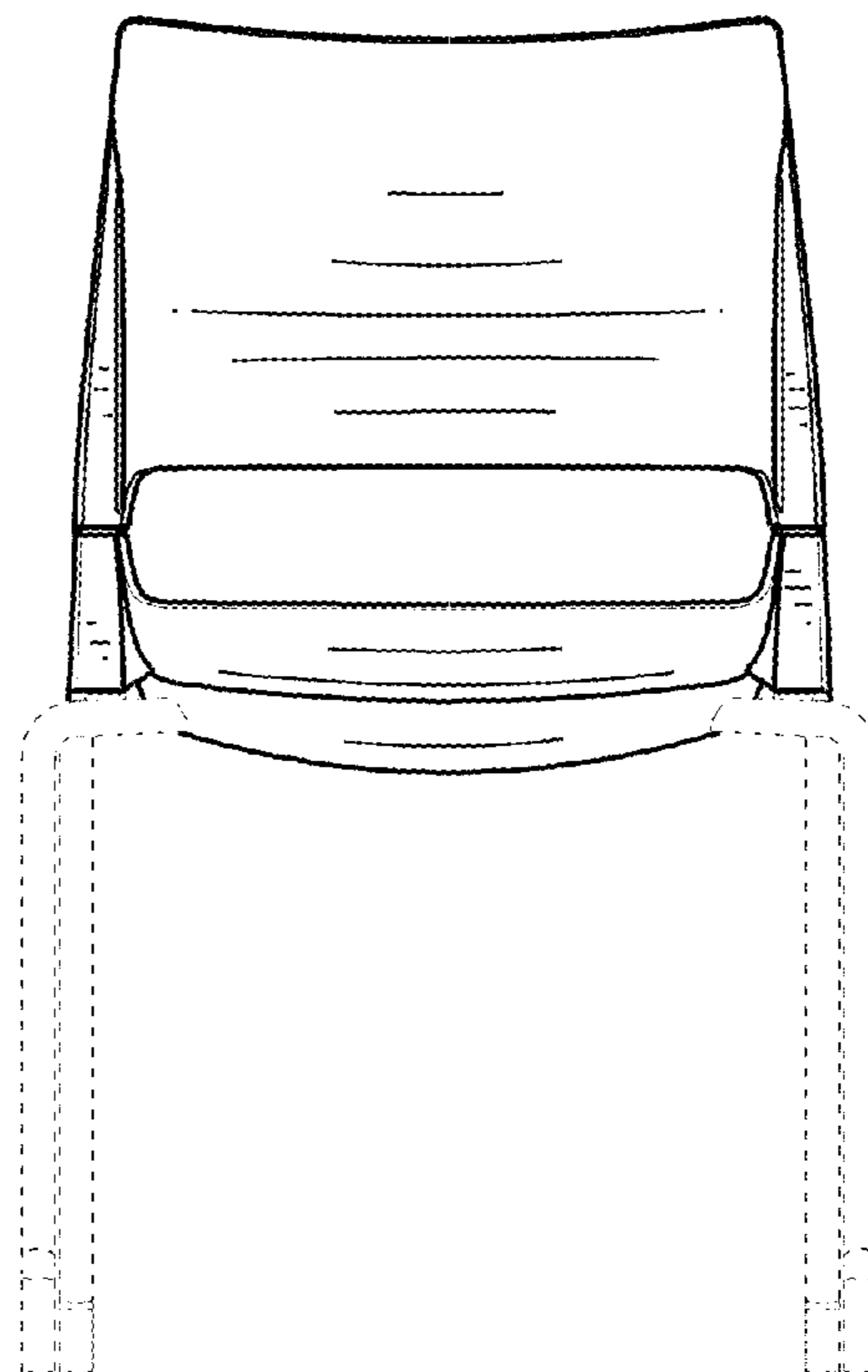


FIG. 3

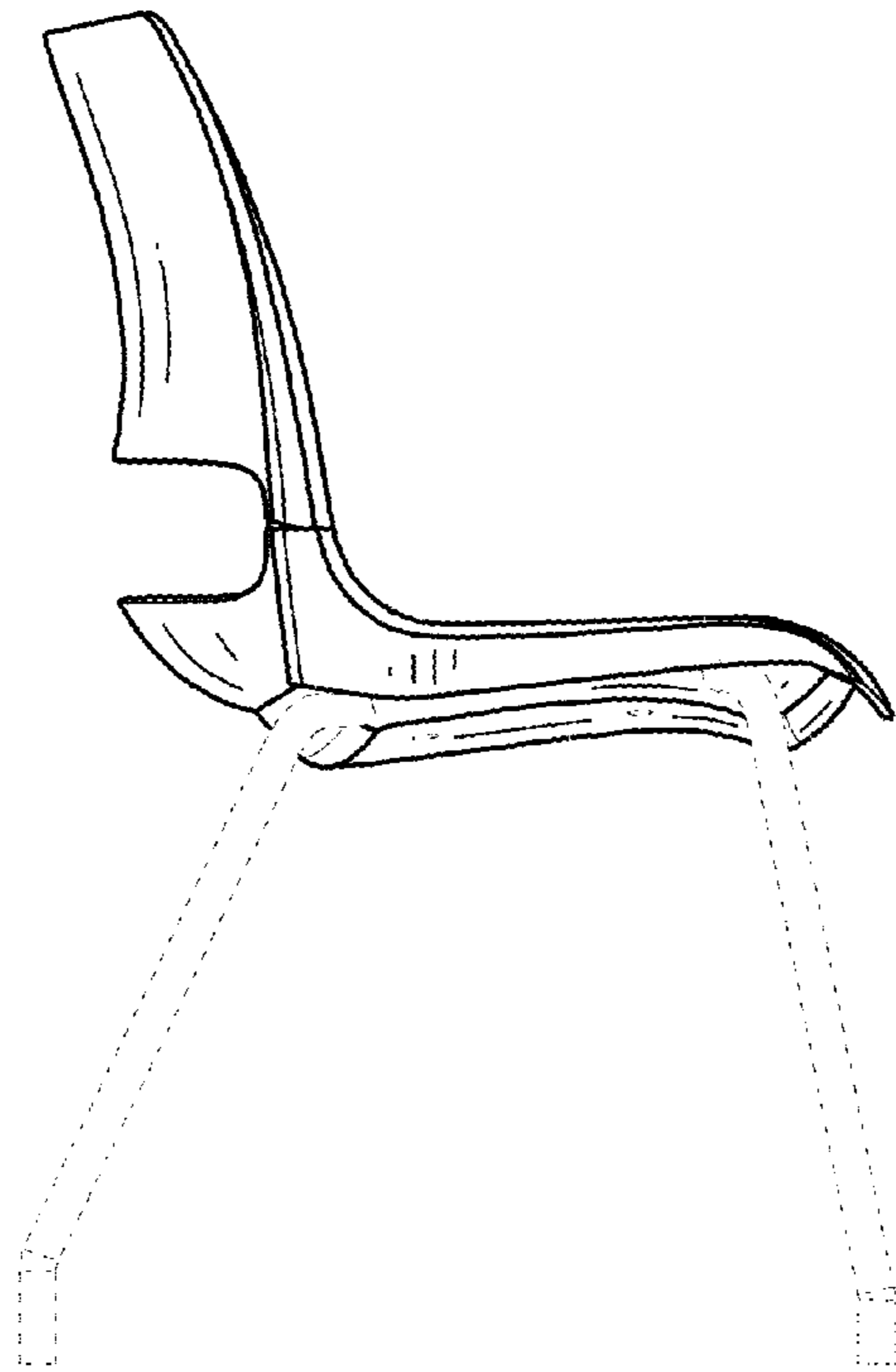


FIG. 4

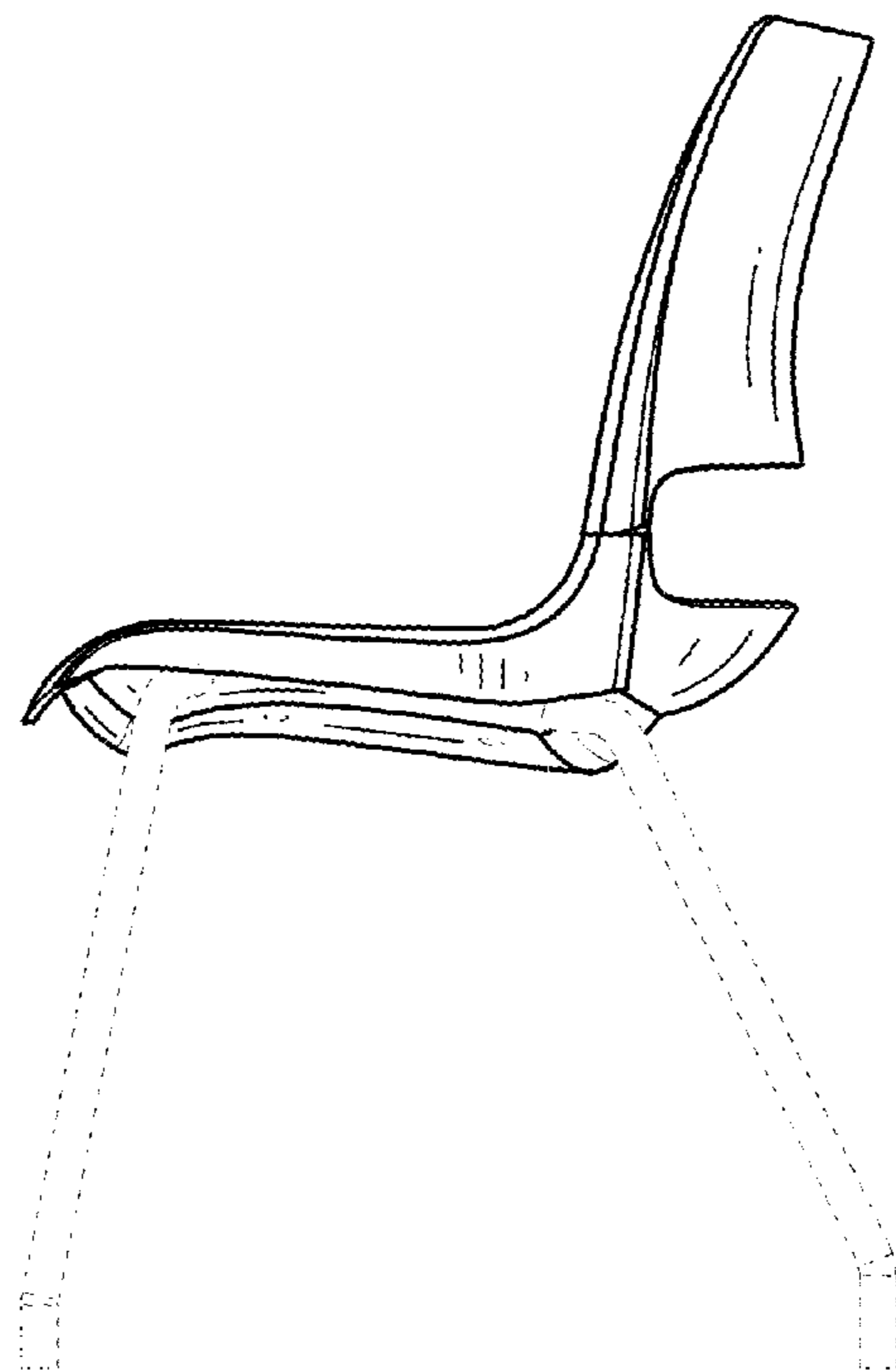


FIG. 5

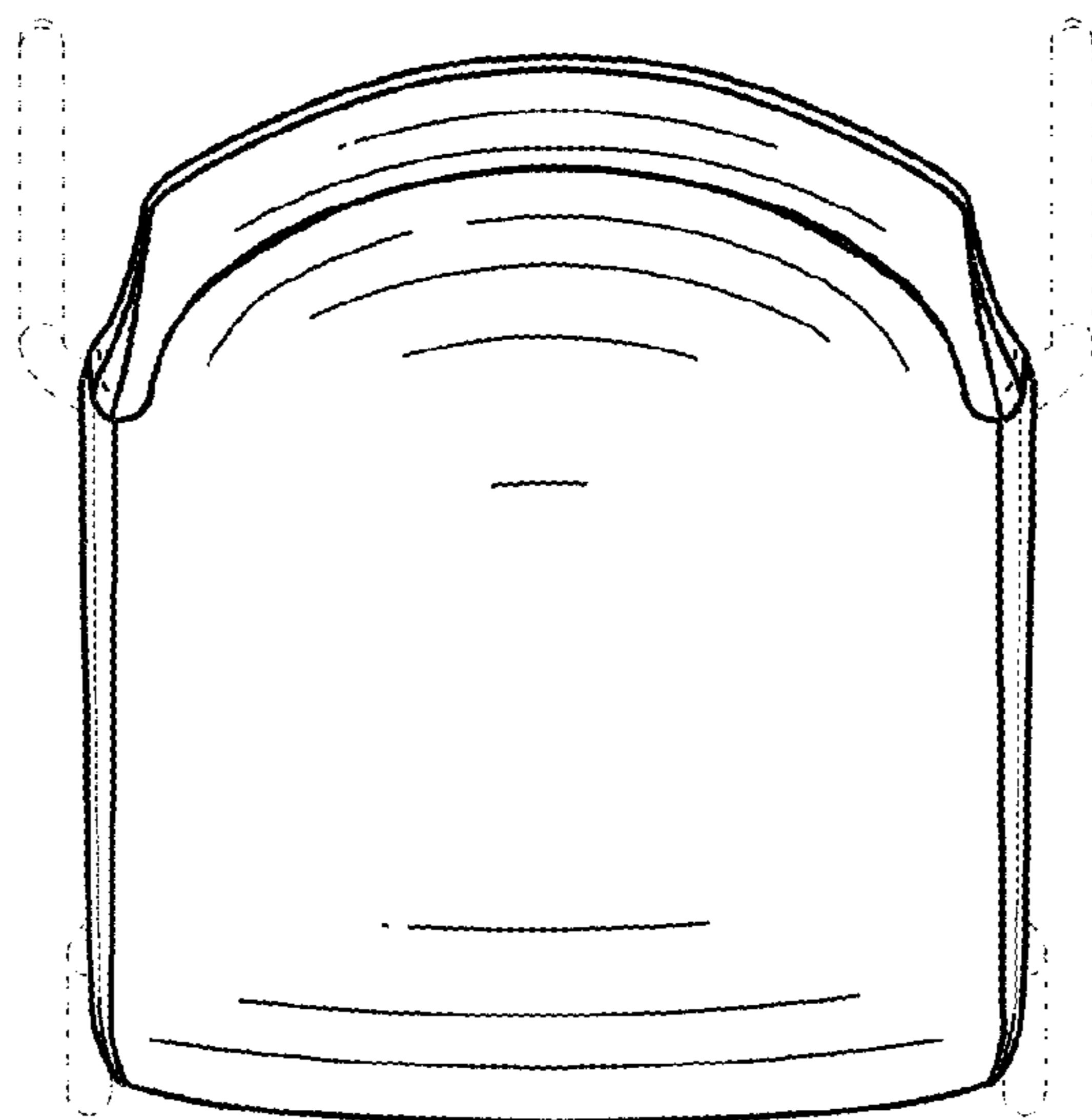


FIG. 6

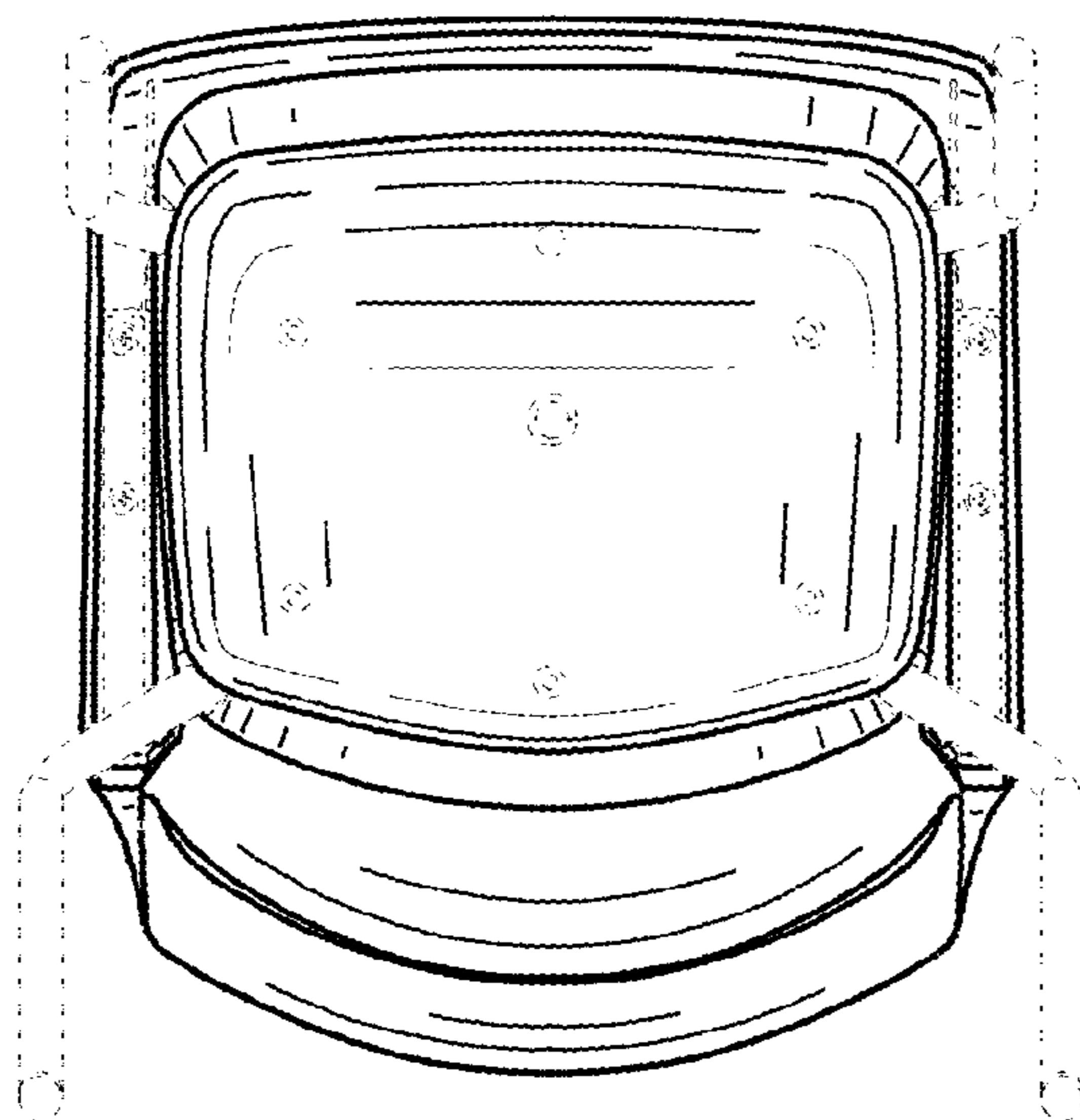


FIG. 7

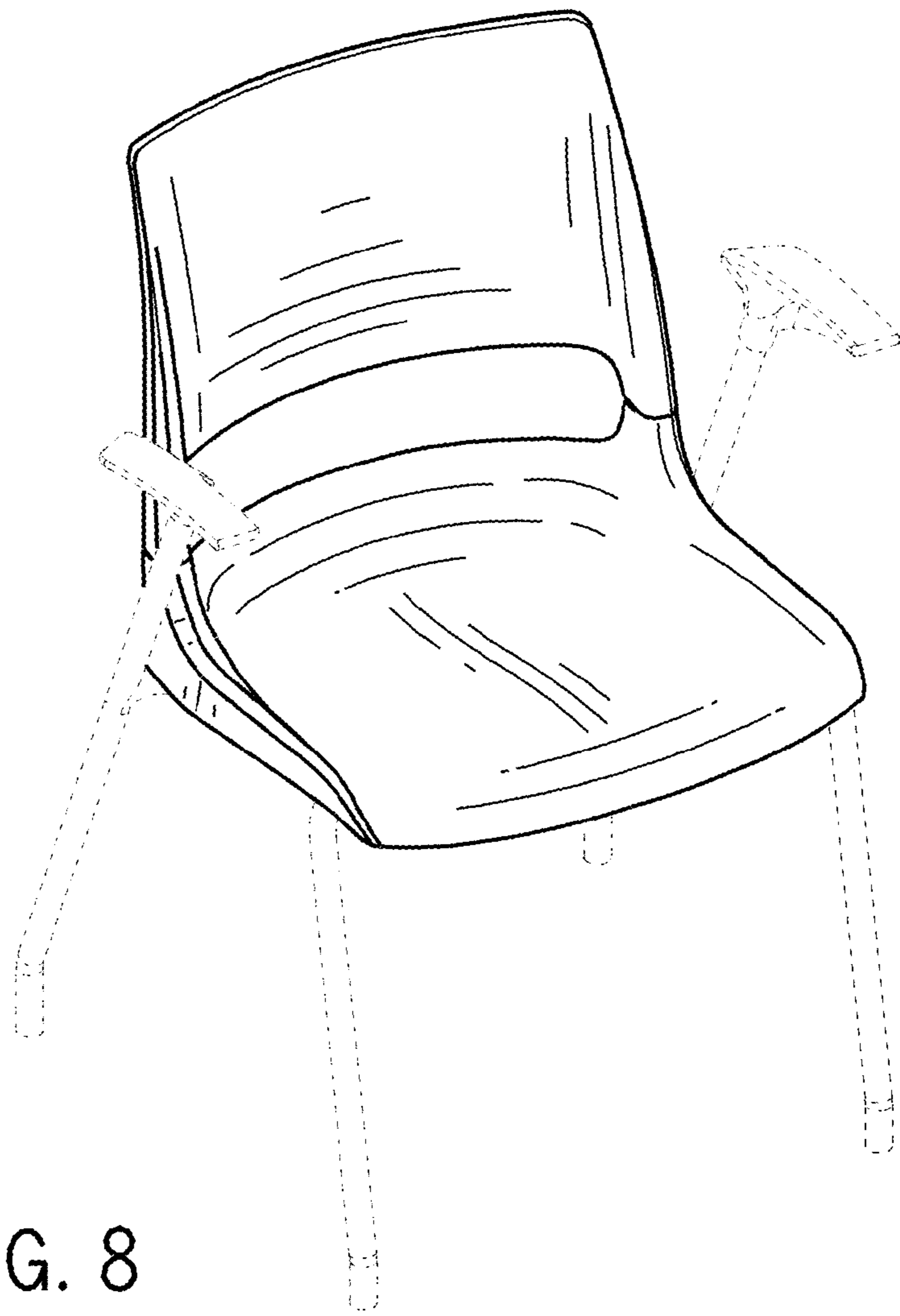


FIG. 8

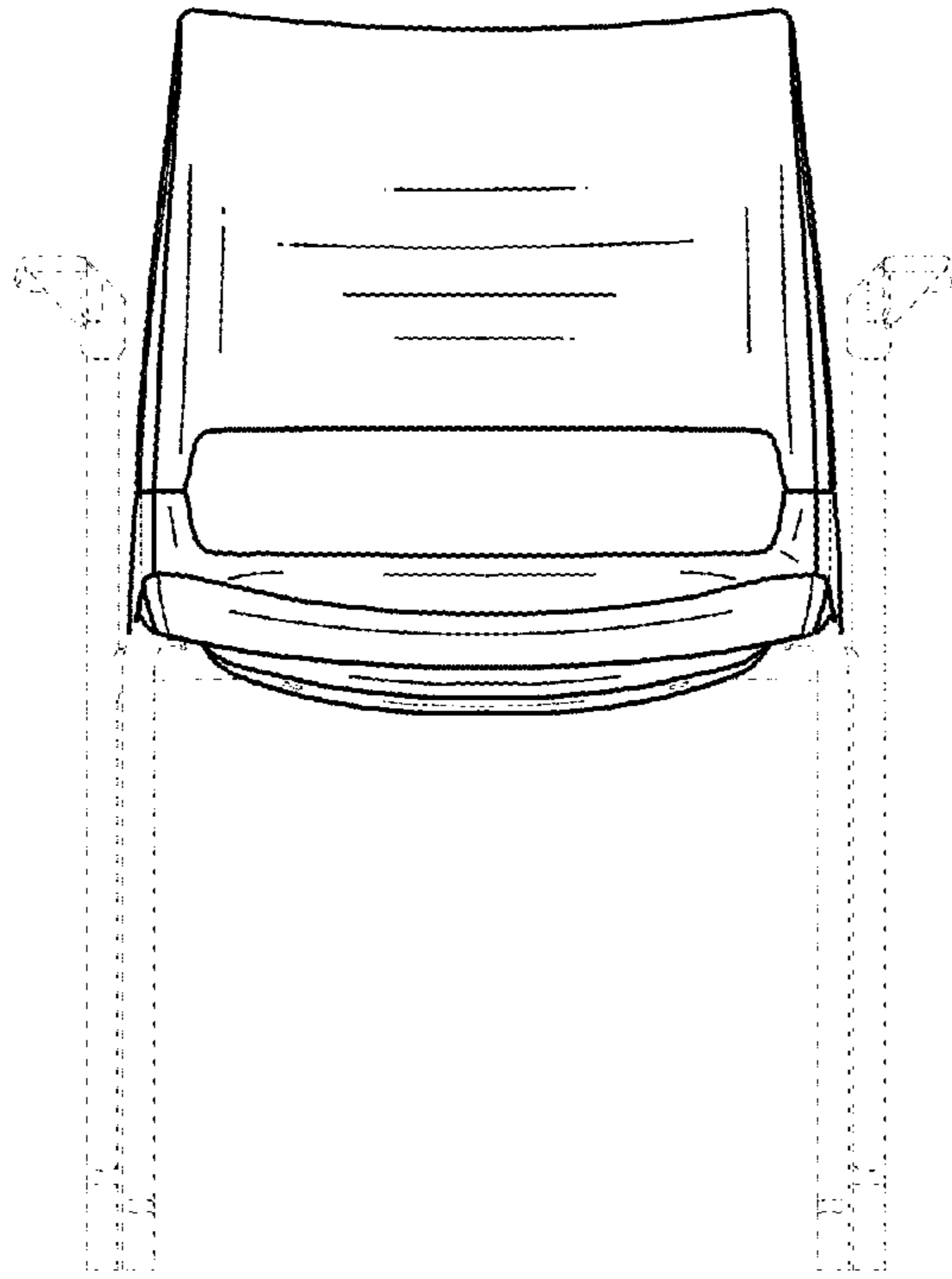


FIG. 9

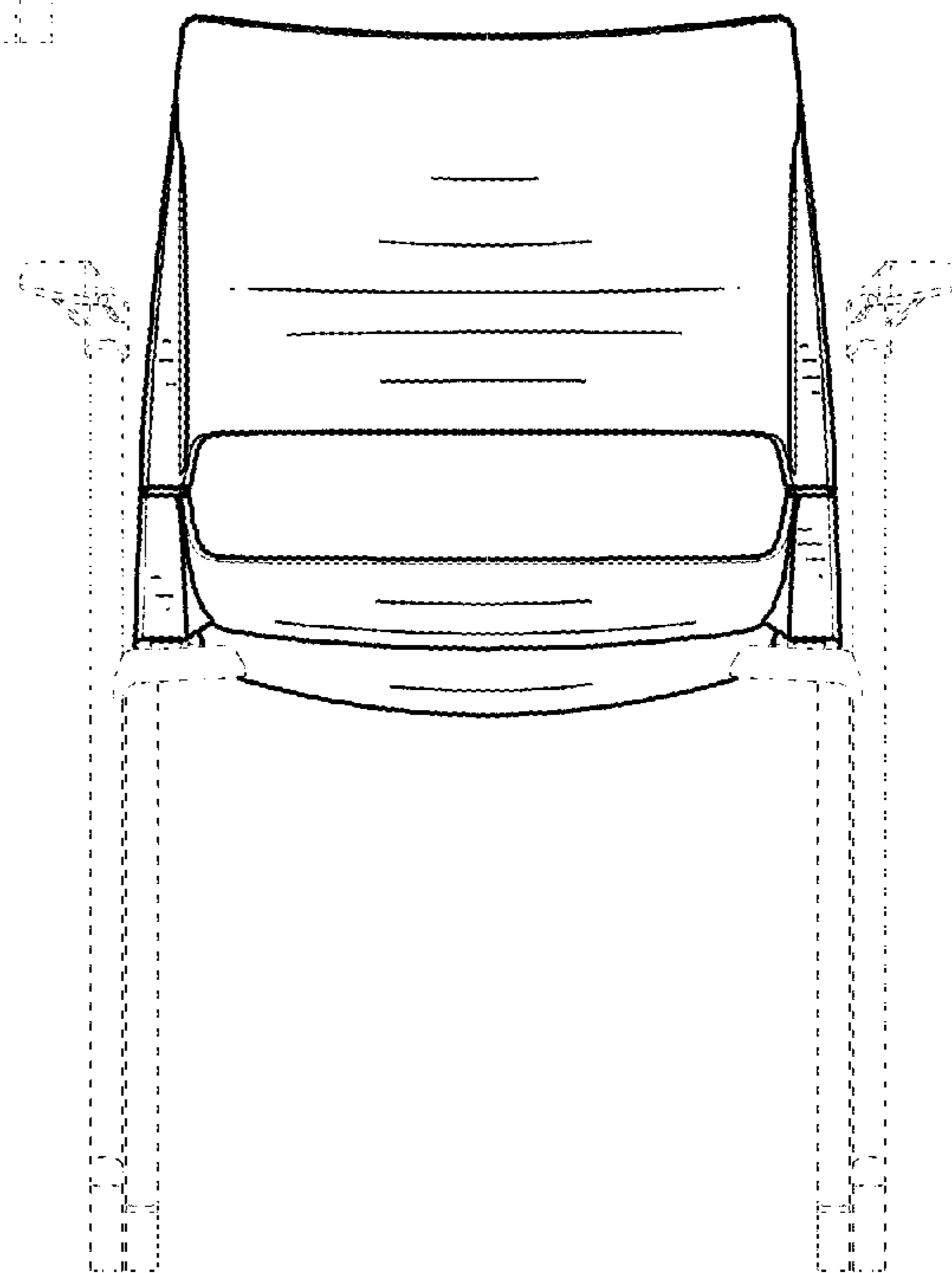


FIG. 10

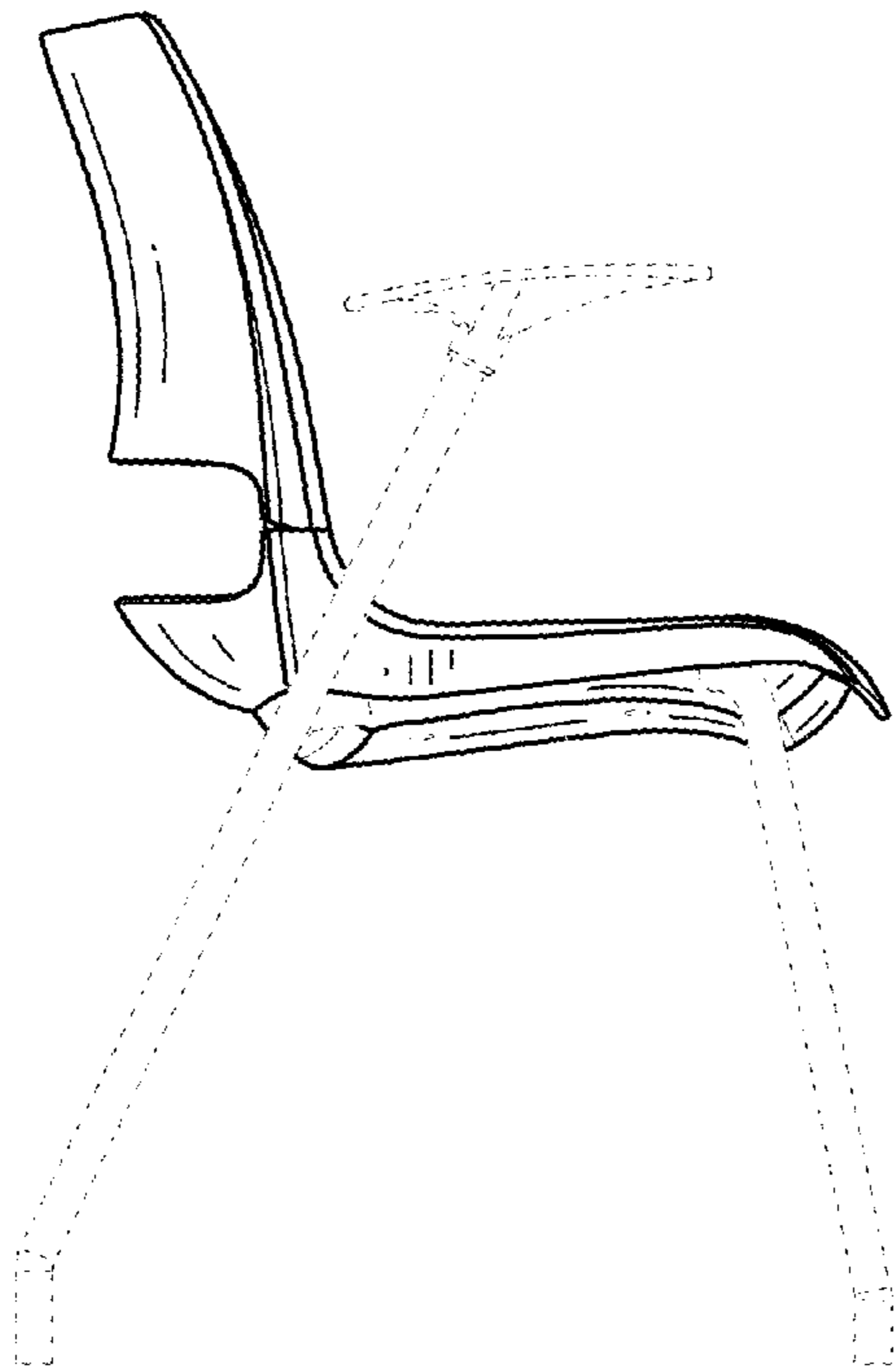


FIG. 11

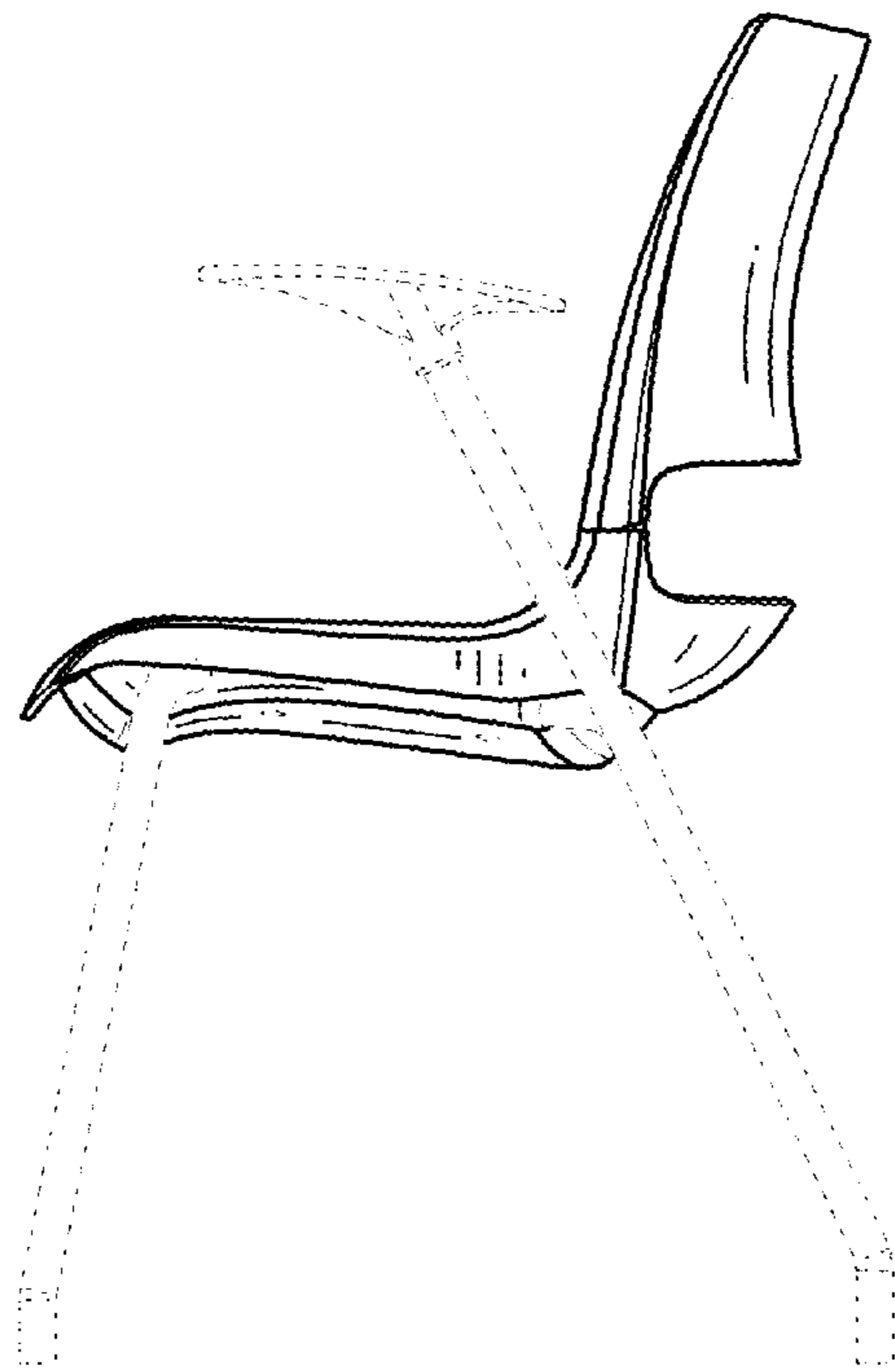


FIG. 12

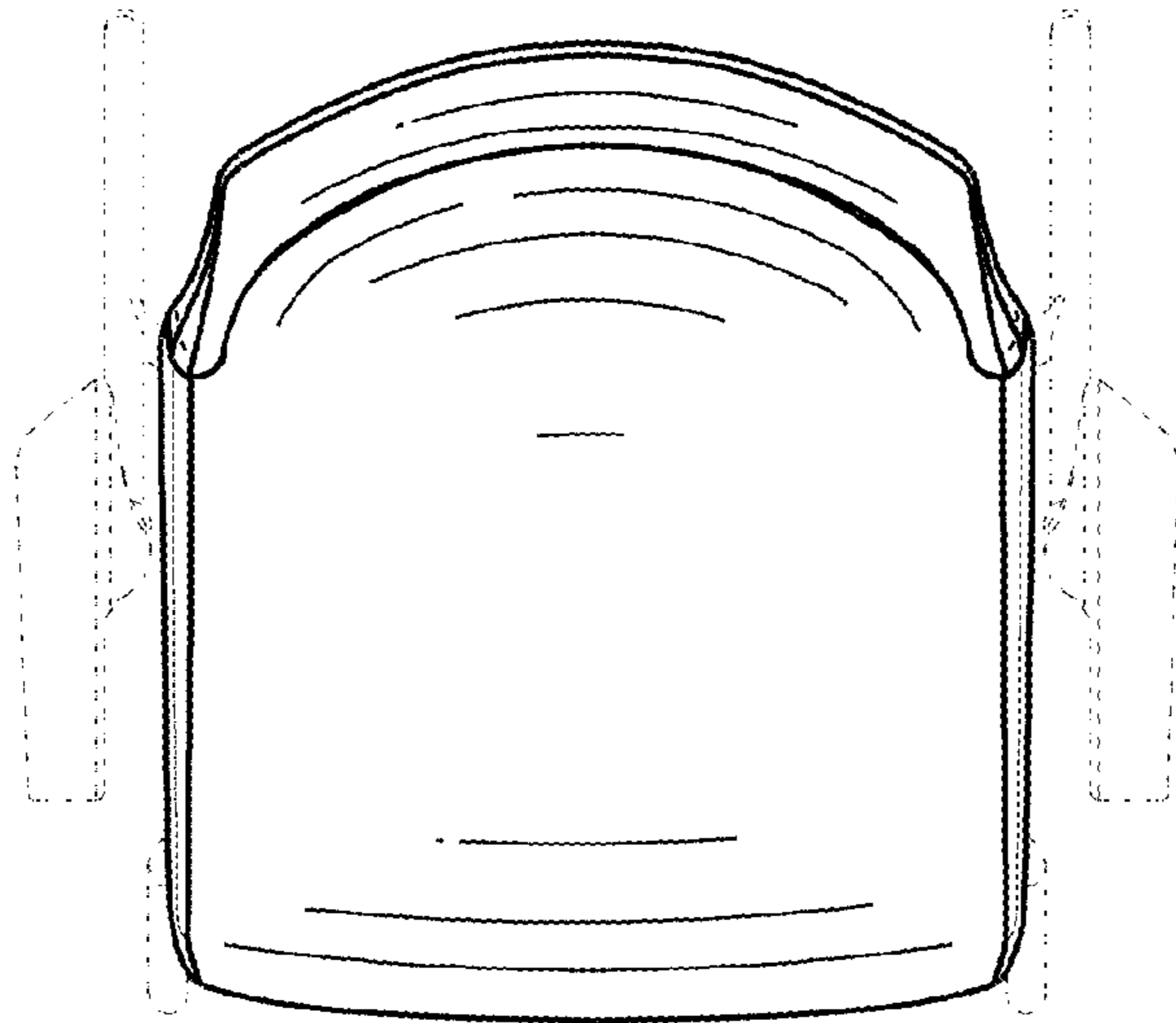


FIG. 13

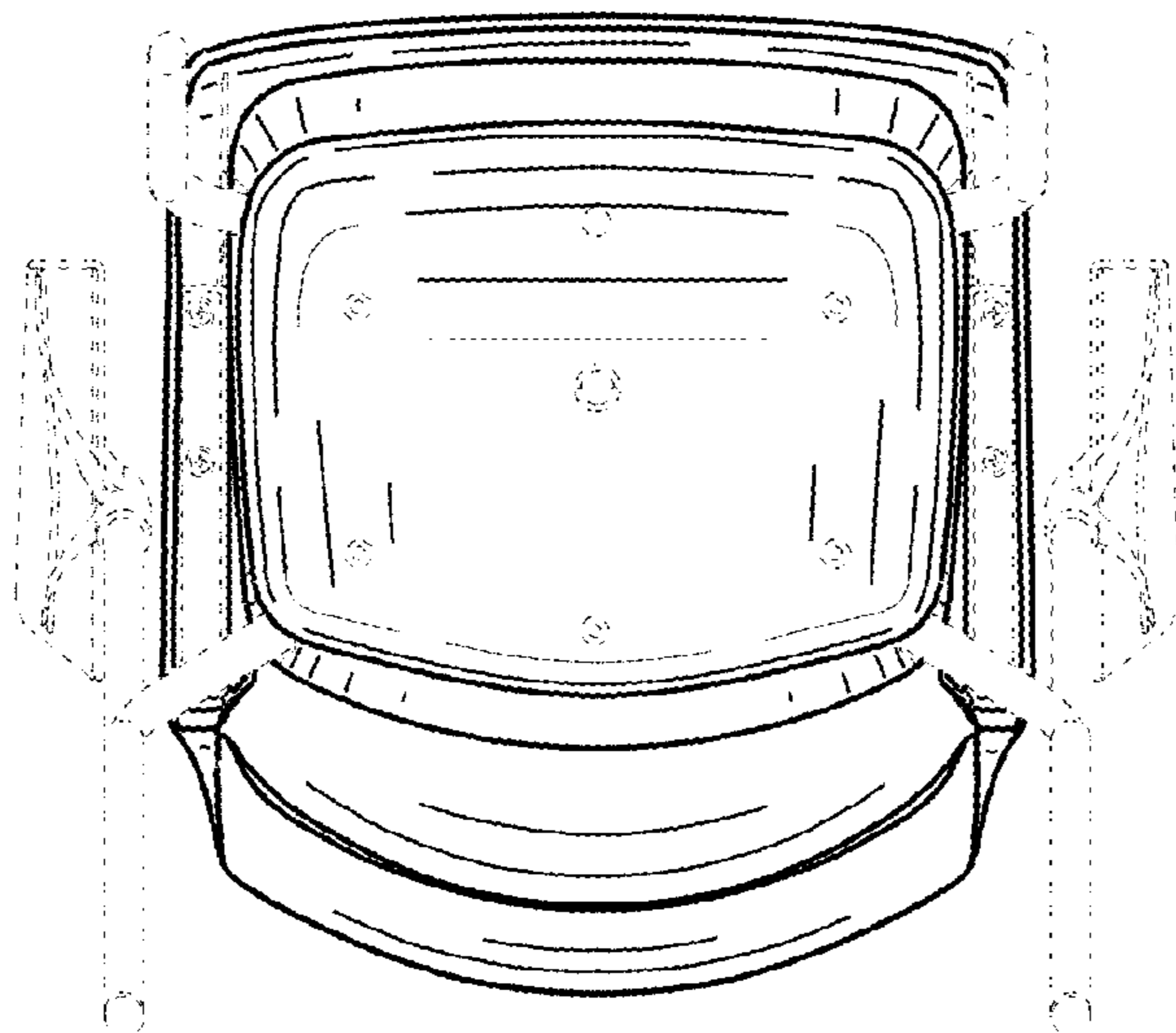


FIG. 14

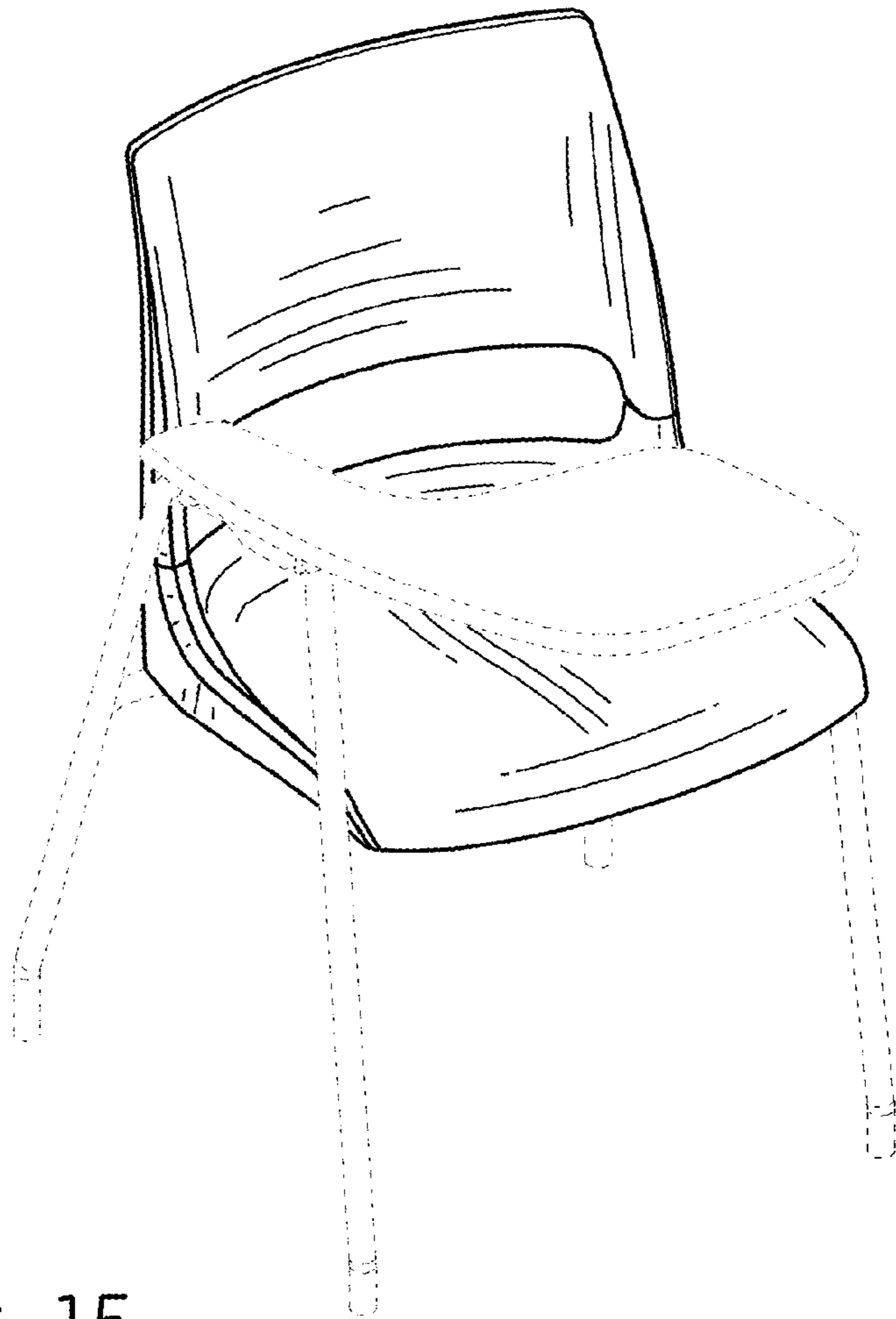


FIG. 15

FIG. 16

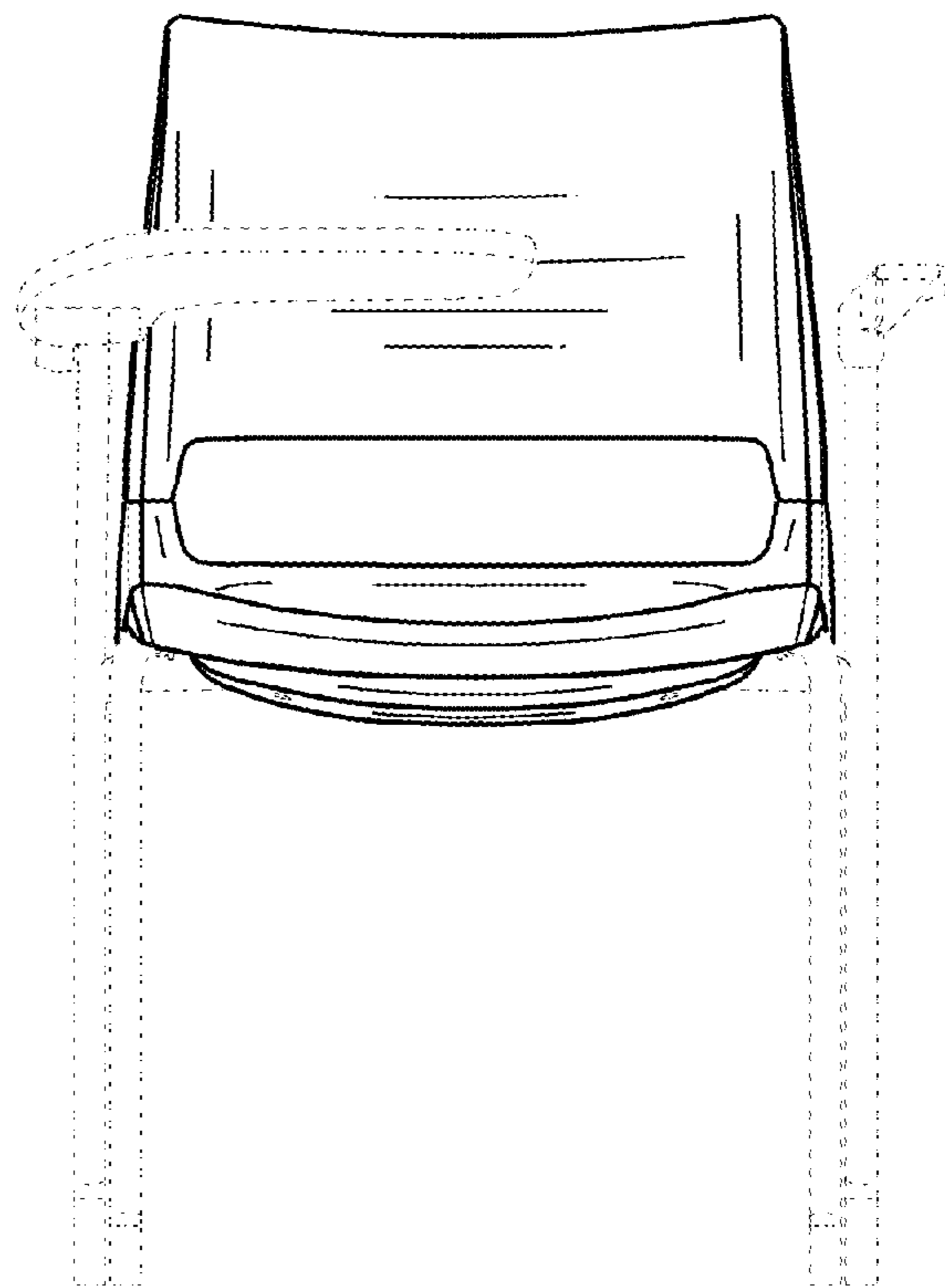
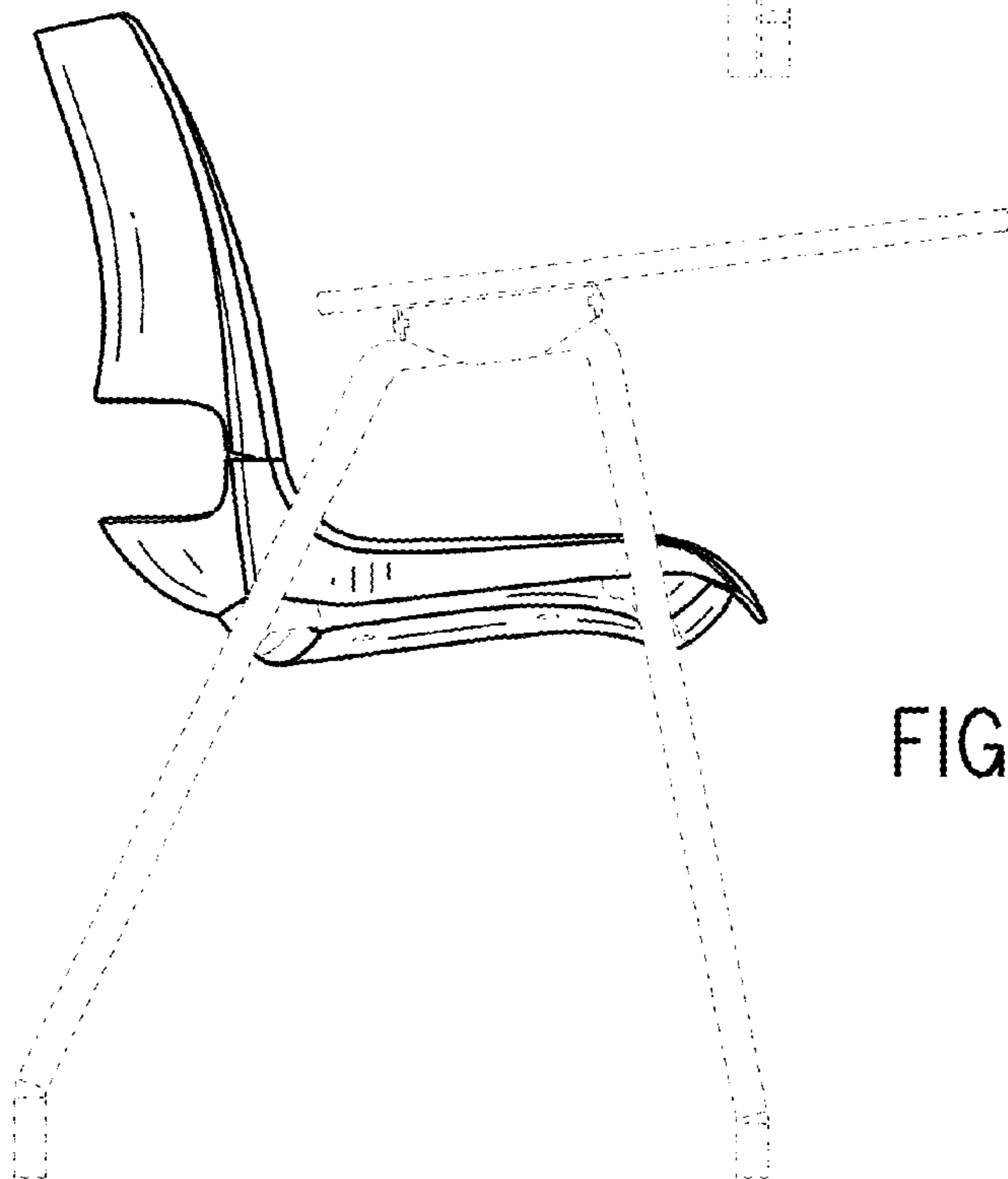


FIG. 17



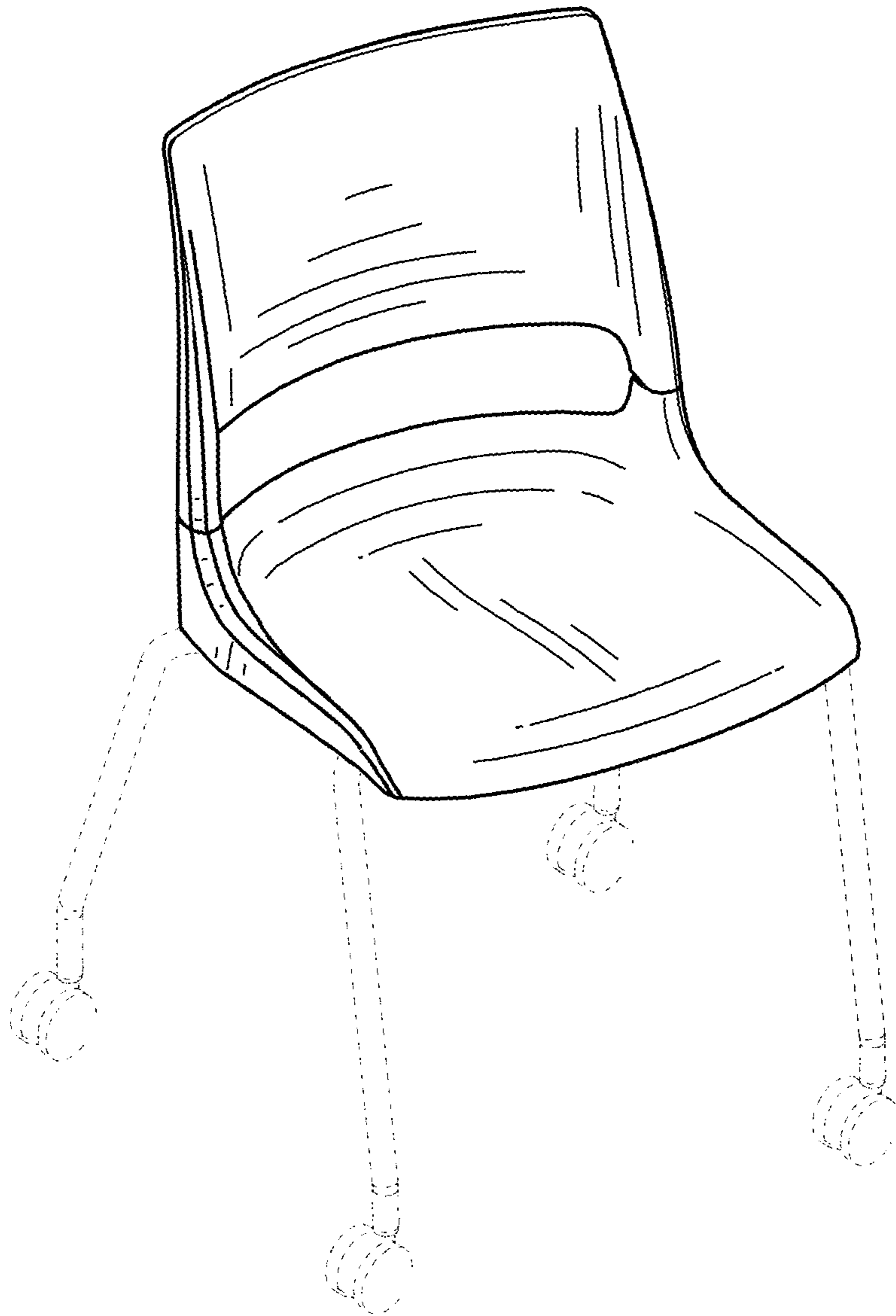


FIG. 18

FIG. 19

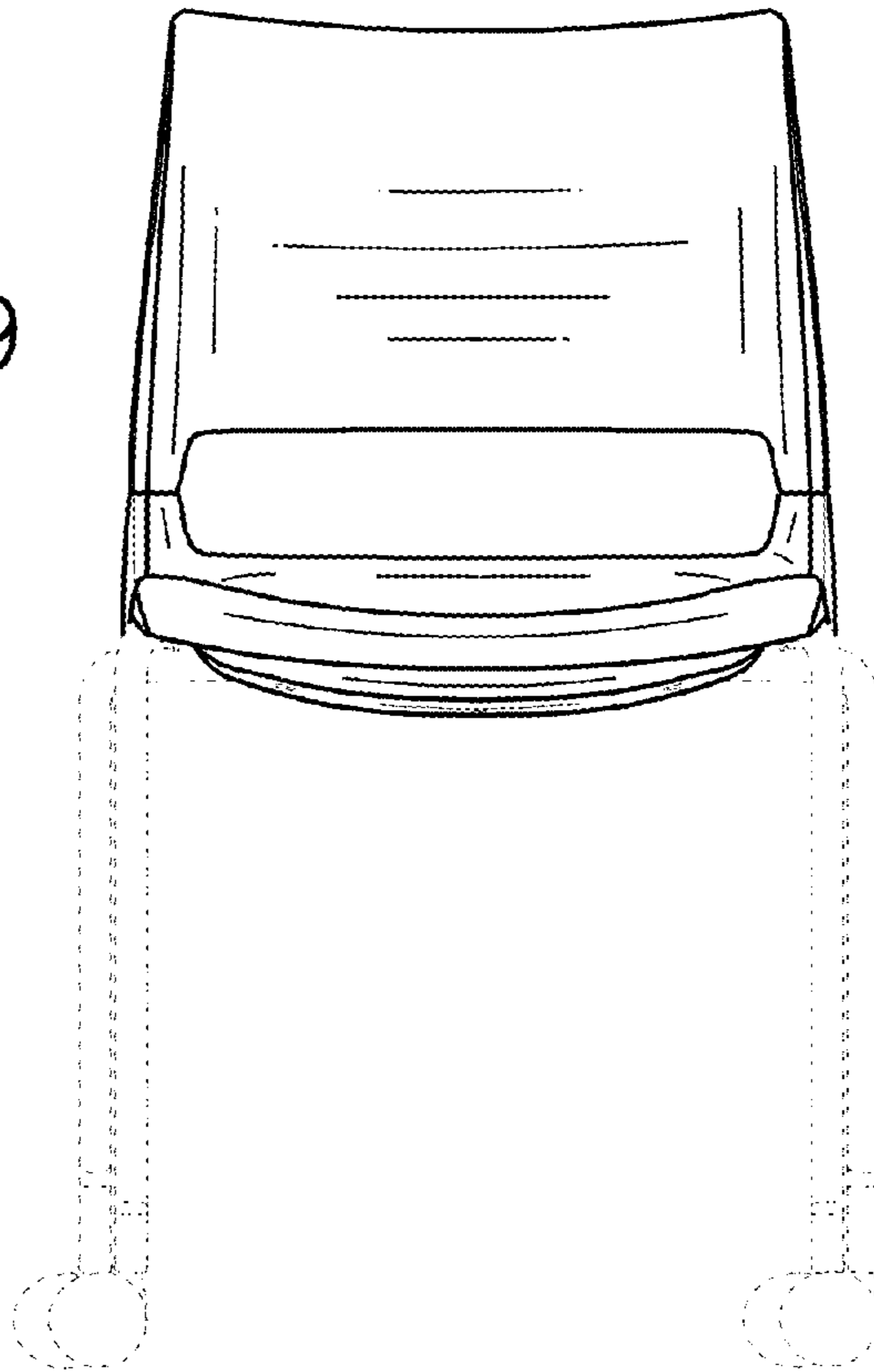
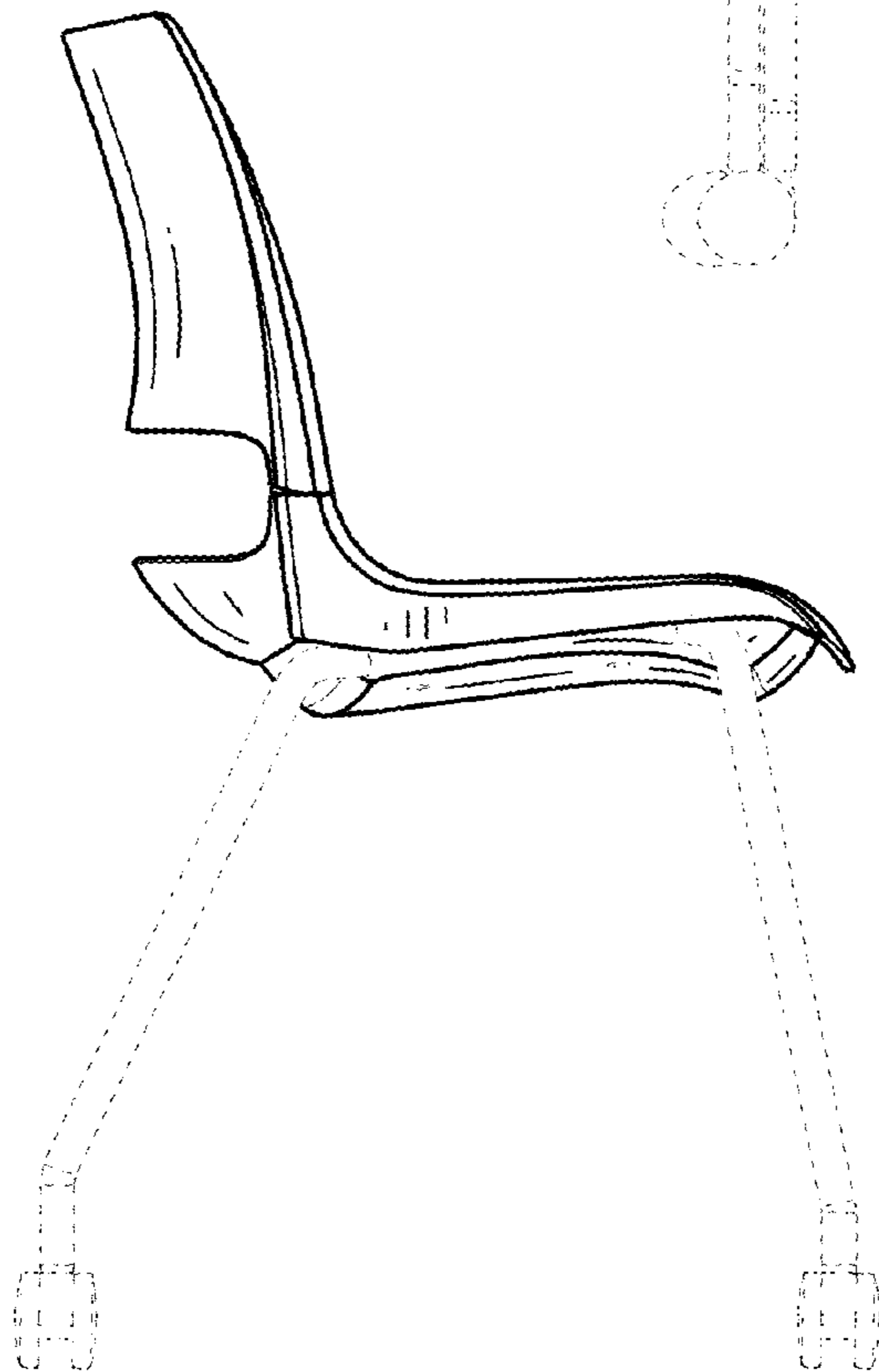


FIG. 20



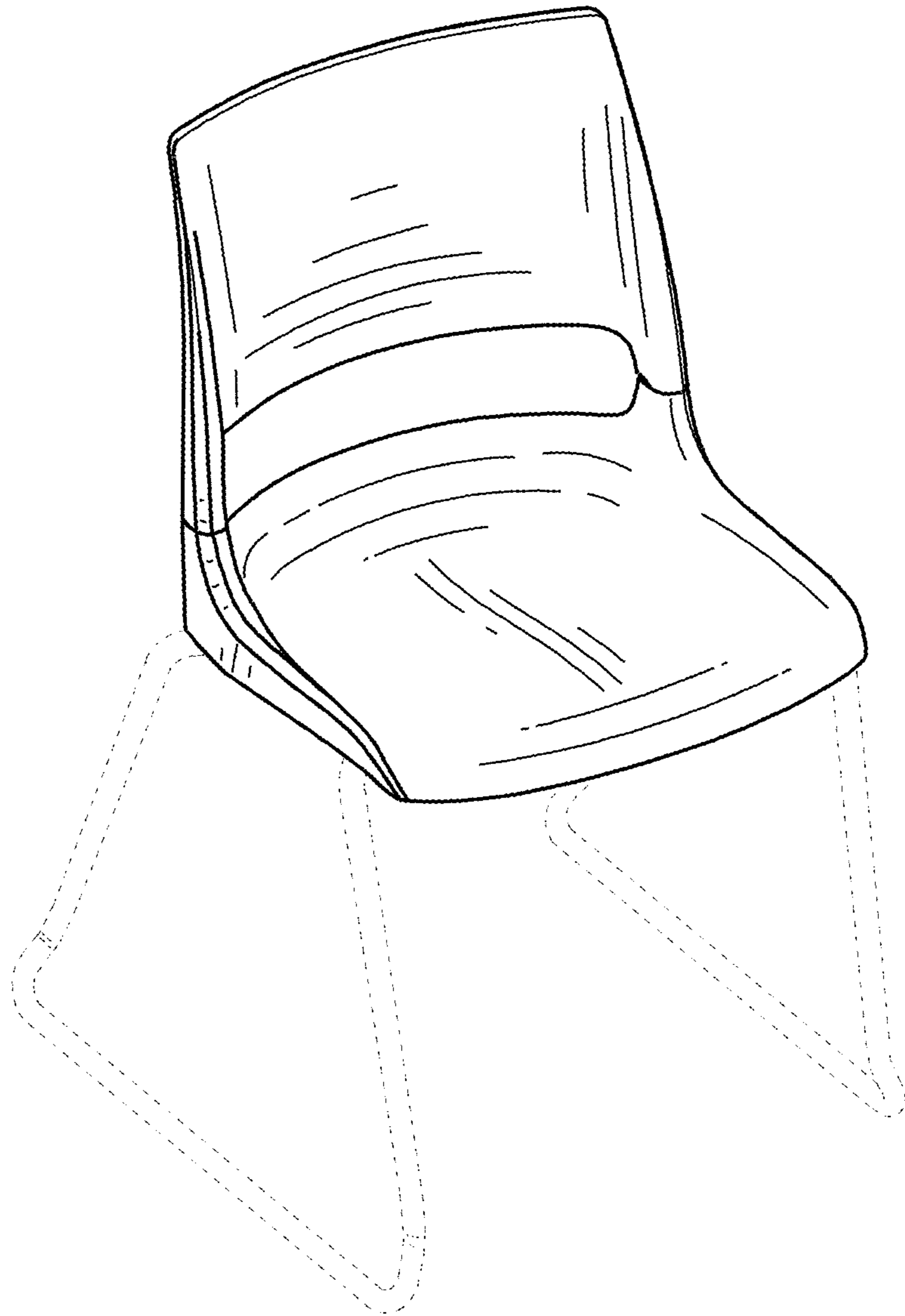


FIG. 21

FIG. 22

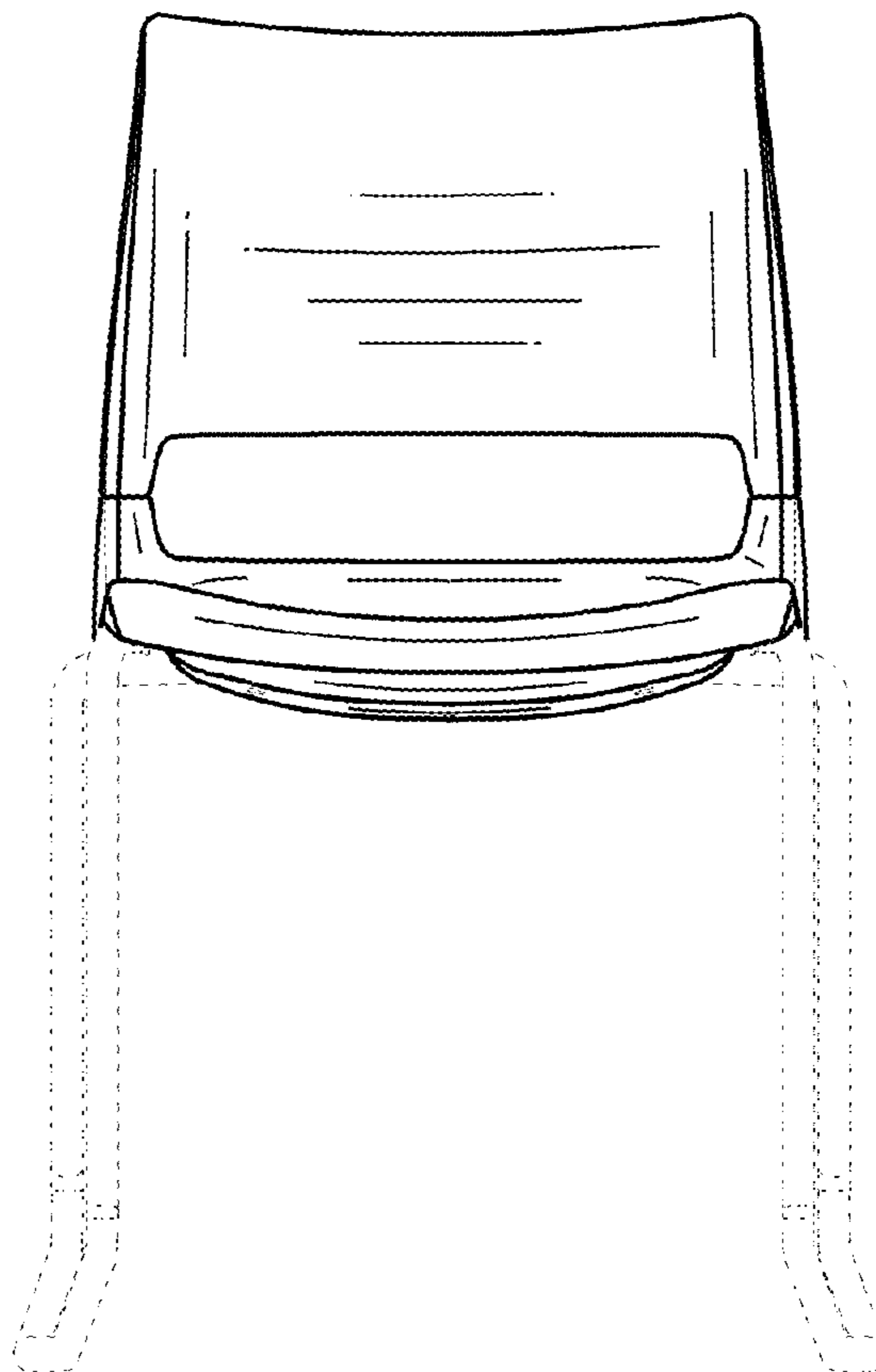
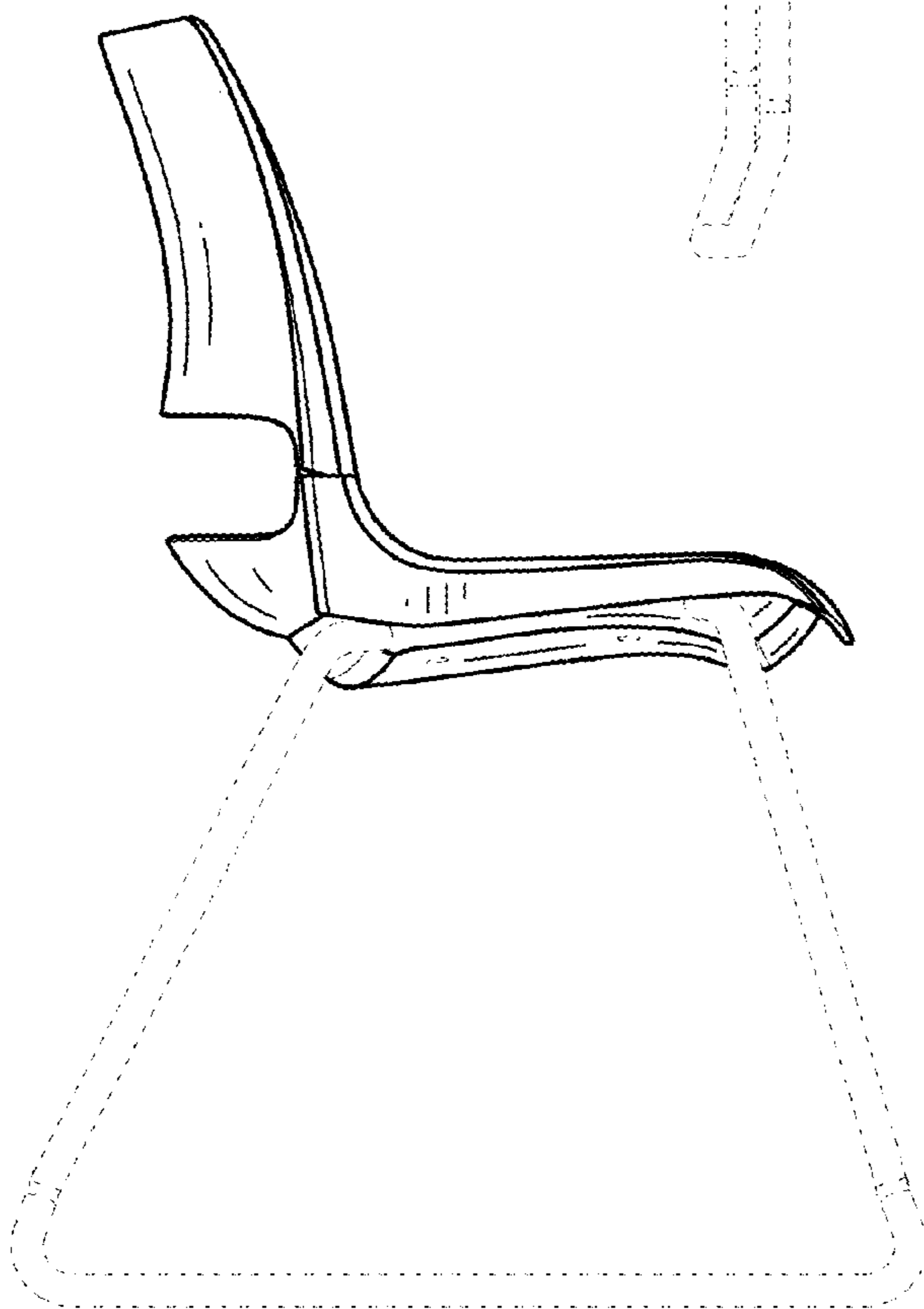


FIG. 23



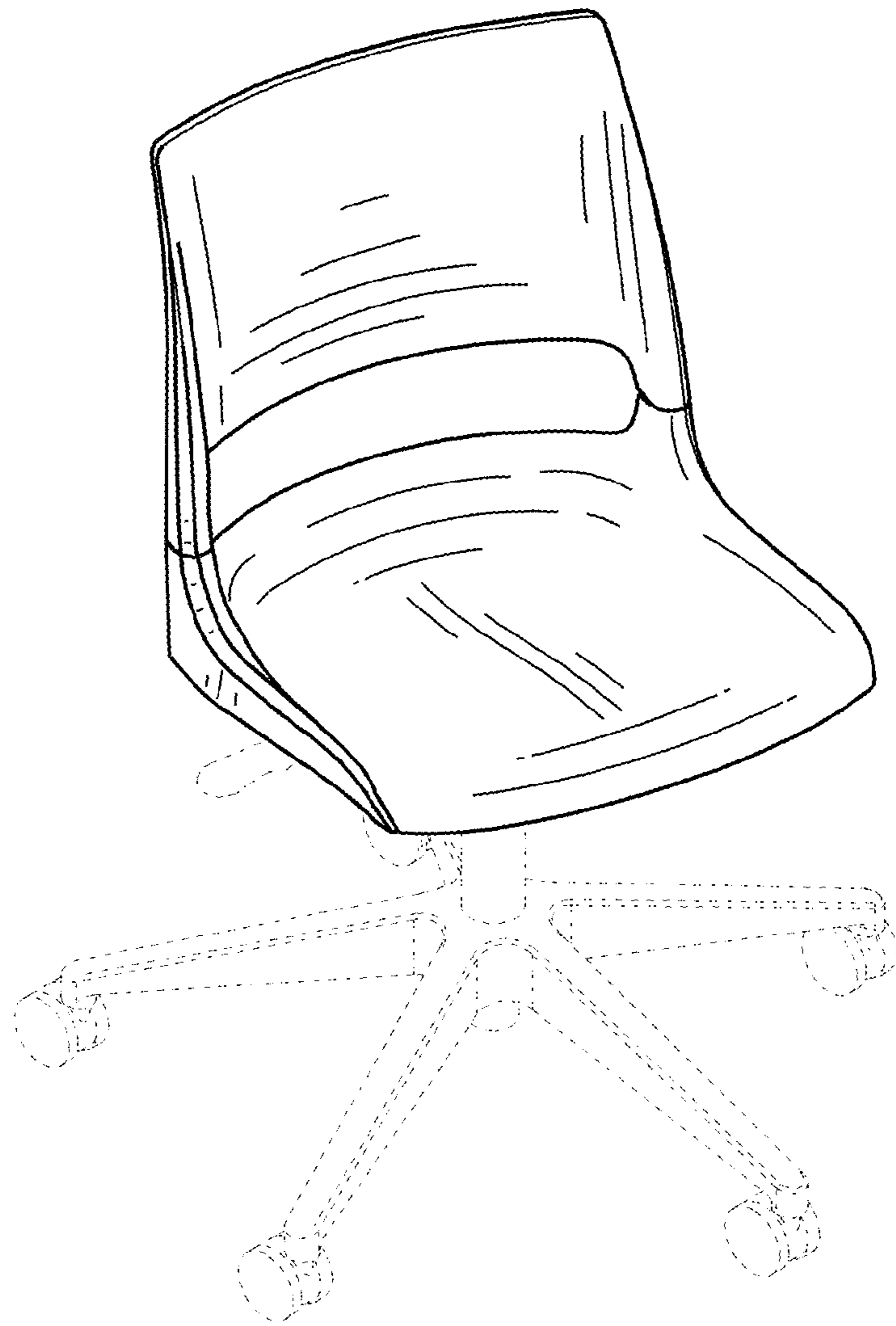


FIG. 24

FIG. 25

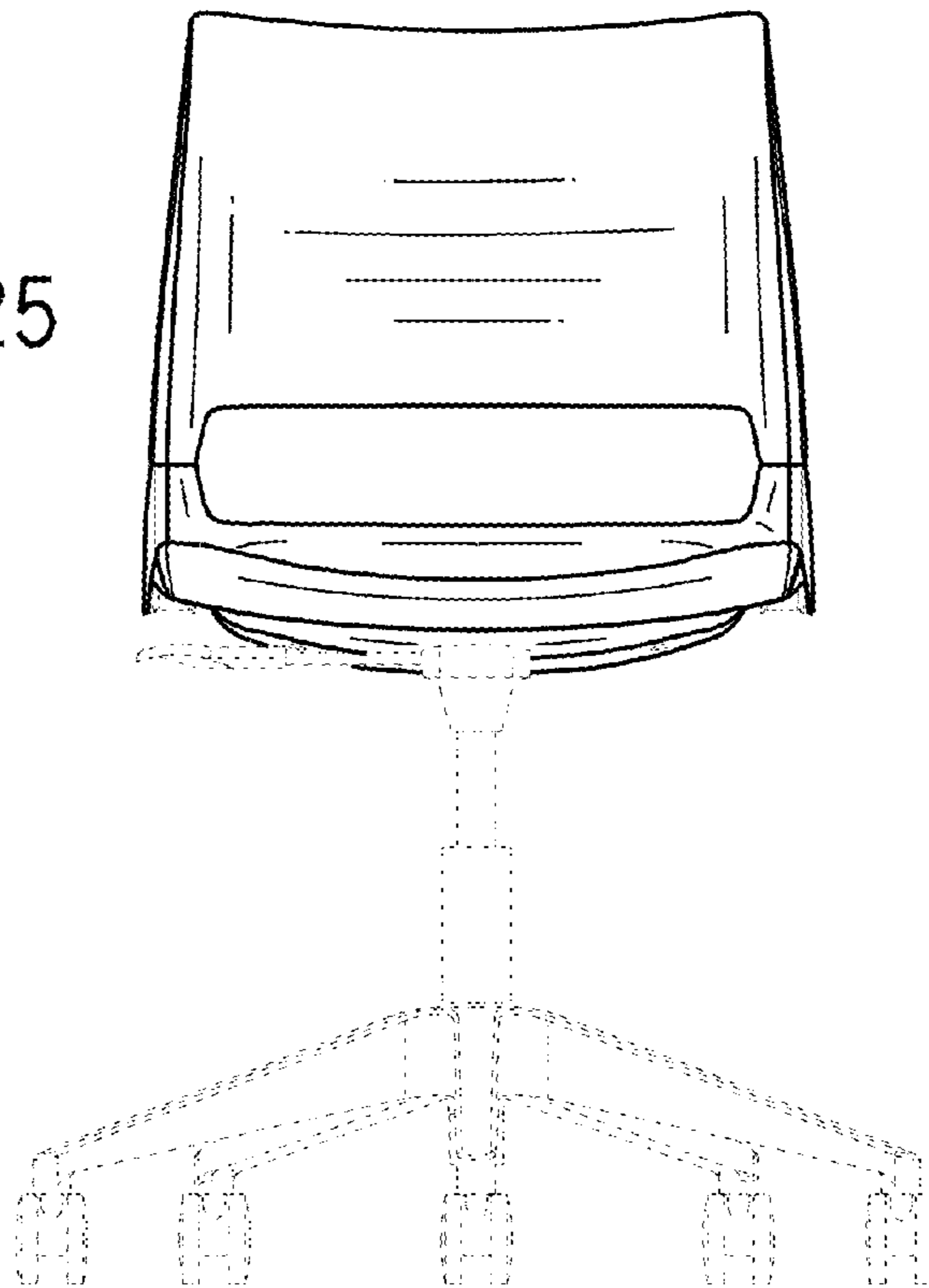
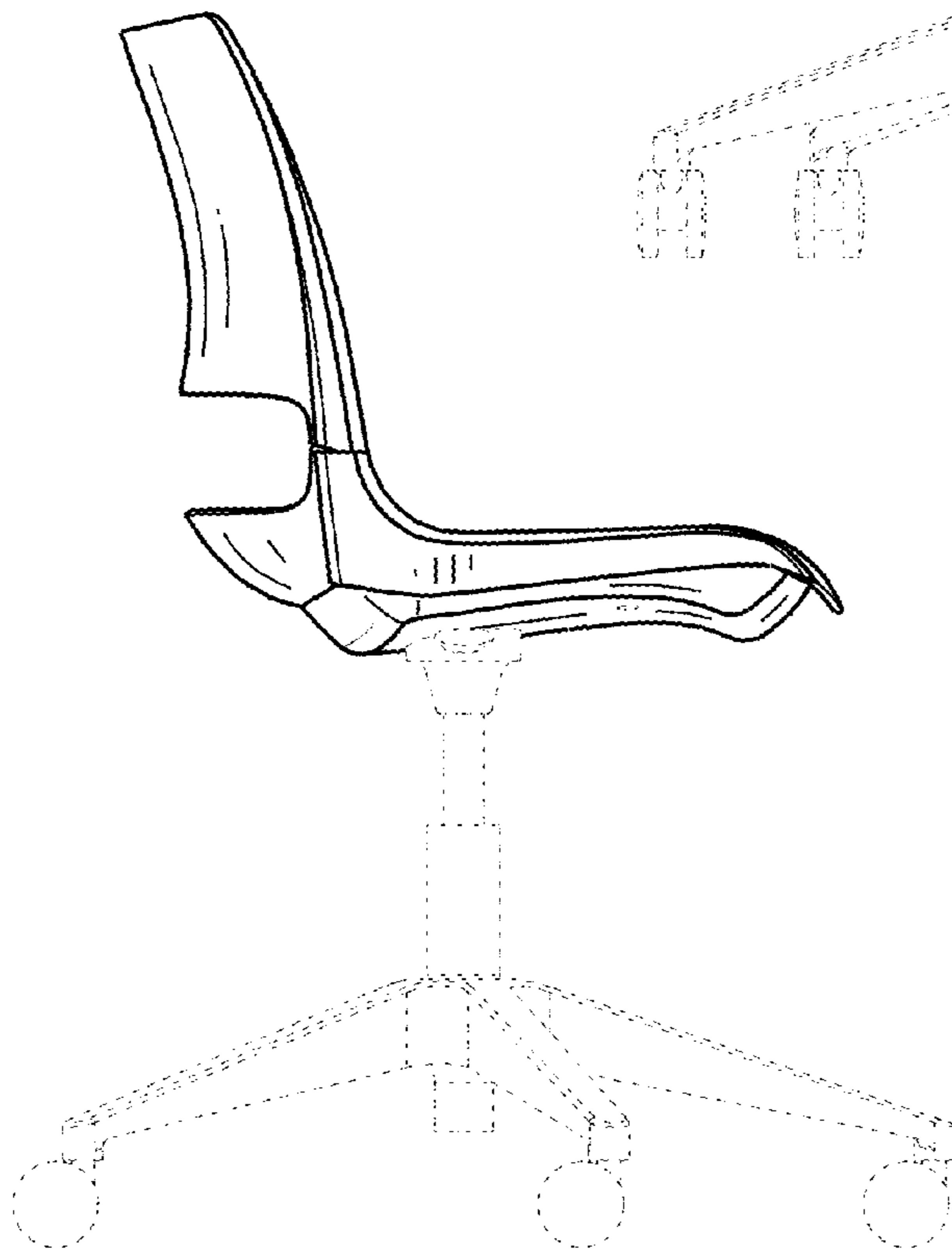


FIG. 26



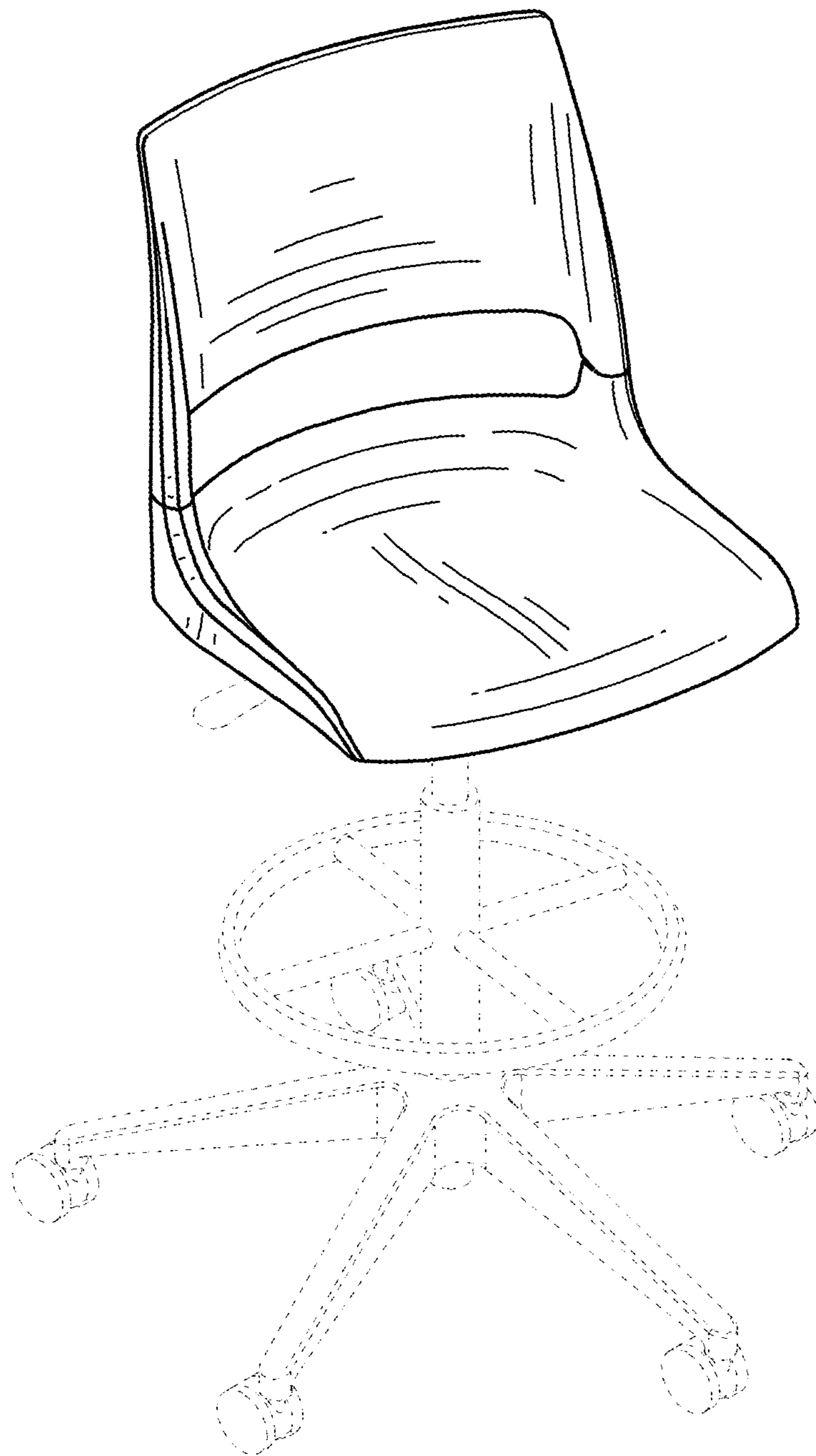


FIG. 27

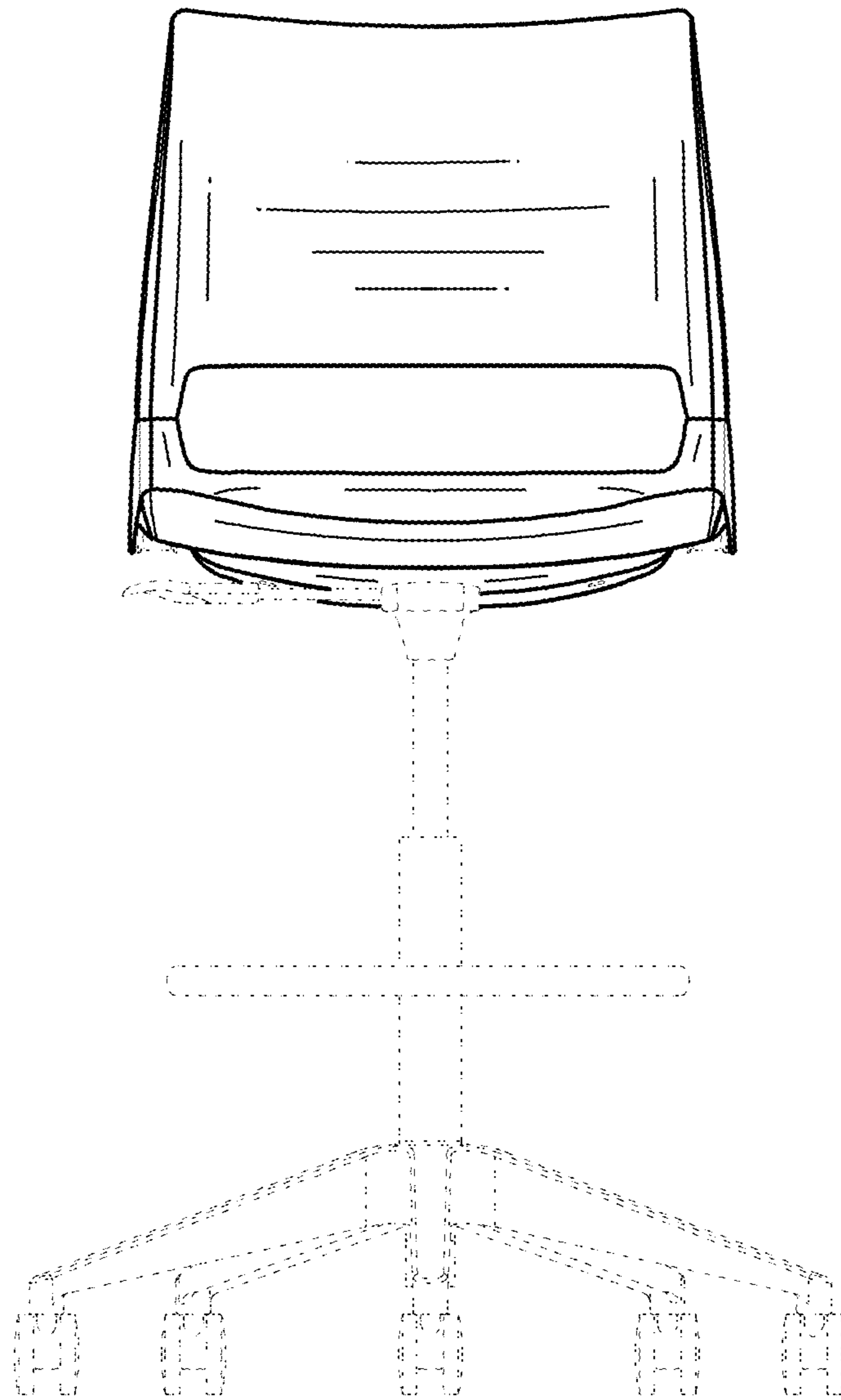


FIG. 28

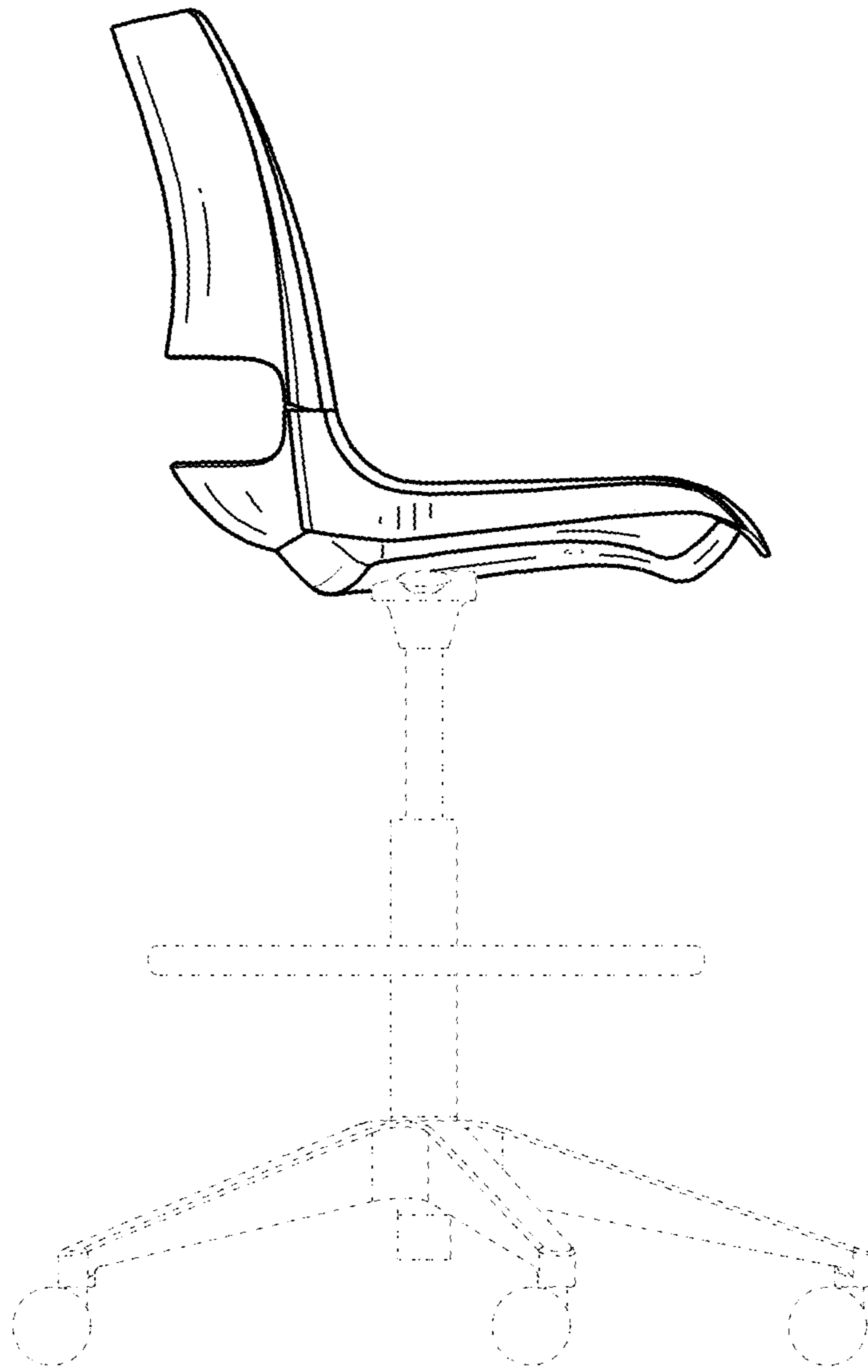


FIG. 29

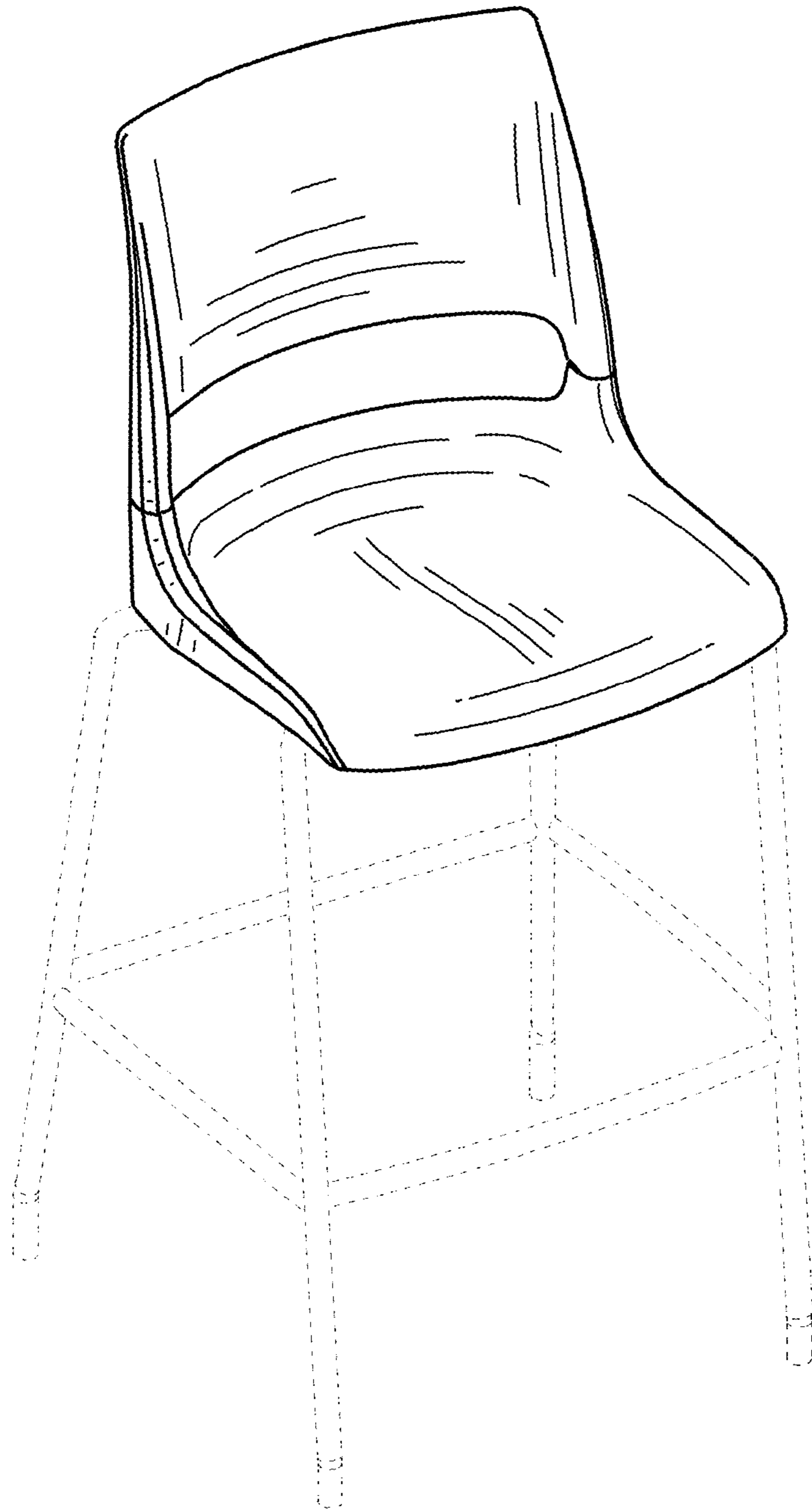


FIG. 30

FIG. 31

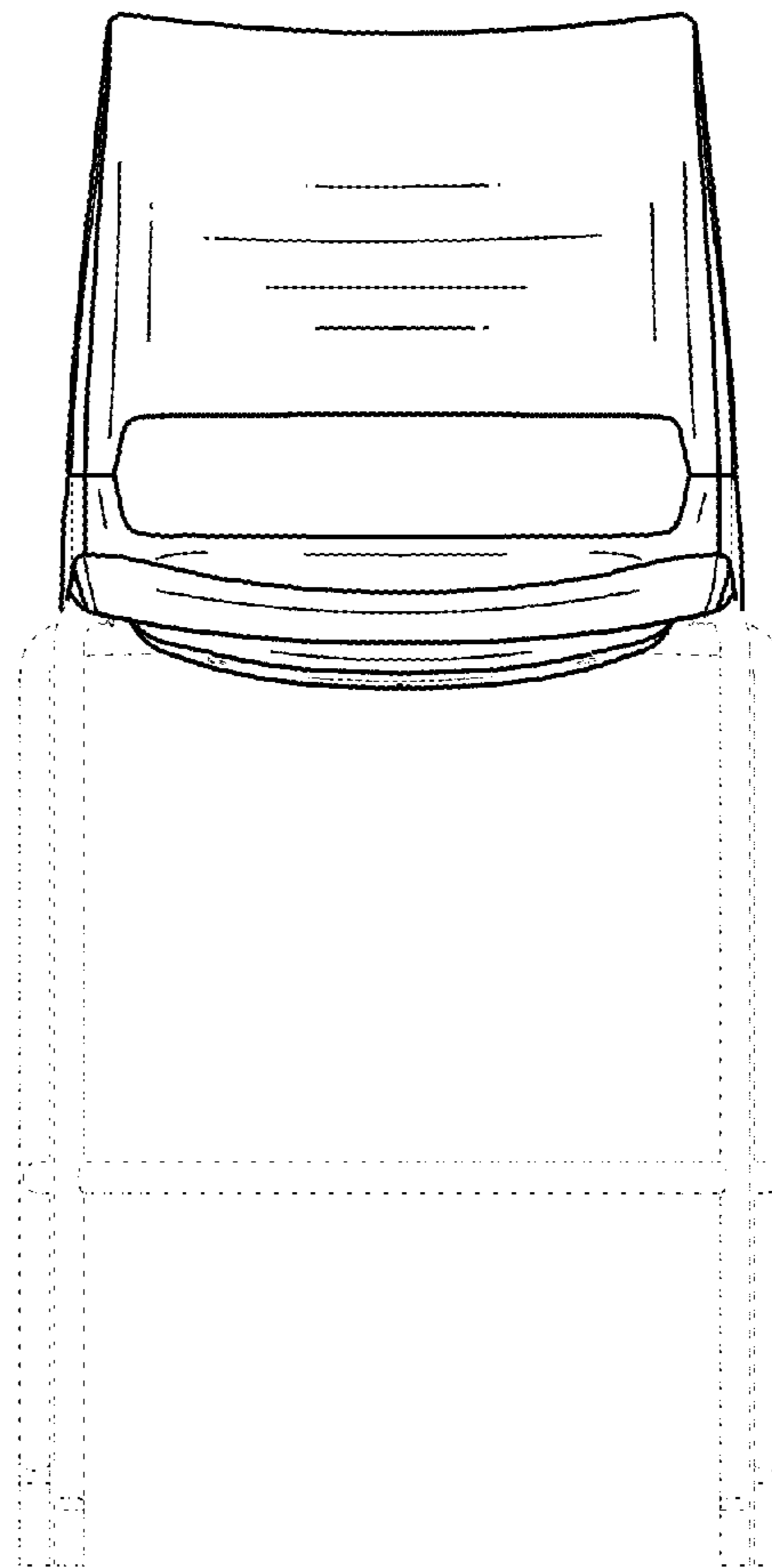


FIG. 32

