



US00D764848S

(12) **United States Design Patent**
Gill et al.

(10) **Patent No.:** **US D764,848 S**

(45) **Date of Patent:** **** Aug. 30, 2016**

(54) **TABLE BASE**

- (71) Applicant: **Adrian Smith + Gordon Gill Architecture LLP**, Chicago, IL (US)
- (72) Inventors: **Carlisle Gordon C. Gill**, Chicago, IL (US); **Marc Anthony Cerone**, Chicago, IL (US); **Elliot David Eakin**, Chicago, IL (US); **John Shannon Burcher**, Chicago, IL (US)
- (73) Assignee: **Adrian Smith + Gordon Gill Architecture LLP**, Chicago, IL (US)

(**) Term: **14 Years**

(21) Appl. No.: **29/493,956**

(22) Filed: **Jun. 16, 2014**

(51) **LOC (10) Cl.** **06-06**

(52) **U.S. Cl.**
USPC **D6/708**

(58) **Field of Classification Search**
USPC D6/708, 708.16, 691, 691.6, 692, 692.4
CPC A47B 13/00; A47B 13/02; A47B 13/06;
A47B 13/021; A47B 2200/0011; A47B
2200/0016; A47B 7/00
See application file for complete search history.

(56) **References Cited**

U.S. PATENT DOCUMENTS

- D669,710 S * 10/2012 Lievore D6/691.6
- D751,328 S * 3/2016 Zdanius D6/708

OTHER PUBLICATIONS

Structural Glass Curtainwall Hardware, Brochure, C.R. Laurence Company, available prior to Jun. 16, 2014 at <http://www.crlaurence.com/adv/Architects/sweets/084426%2011%20crl%20buyline%208621.pdf> (4 pages).

* cited by examiner

Primary Examiner — Mary Ann Calabrese
(74) *Attorney, Agent, or Firm* — Neal, Gerber & Eisenberg LLP

(57) **CLAIM**

The ornamental design for a table base, as shown and described.

DESCRIPTION

FIG. 1 is a perspective view of the table base of our new design shown with a table top in broken lines. FIG. 2 is an enlarged perspective view of the table base of FIG. 1 shown without any table top. FIG. 3 is a front view of the table base of FIG. 1, the rear view being a mirror image thereof. FIG. 4 is a left side view of the table base of FIG. 1, the right side view being a mirror image thereof. FIG. 5 is a top view of the table base of FIG. 1; and, FIG. 6 is a bottom view of the table base of FIG. 1. Those portions shown in broken lines are for environmental purposes only and form no part of the claimed design.

1 Claim, 6 Drawing Sheets

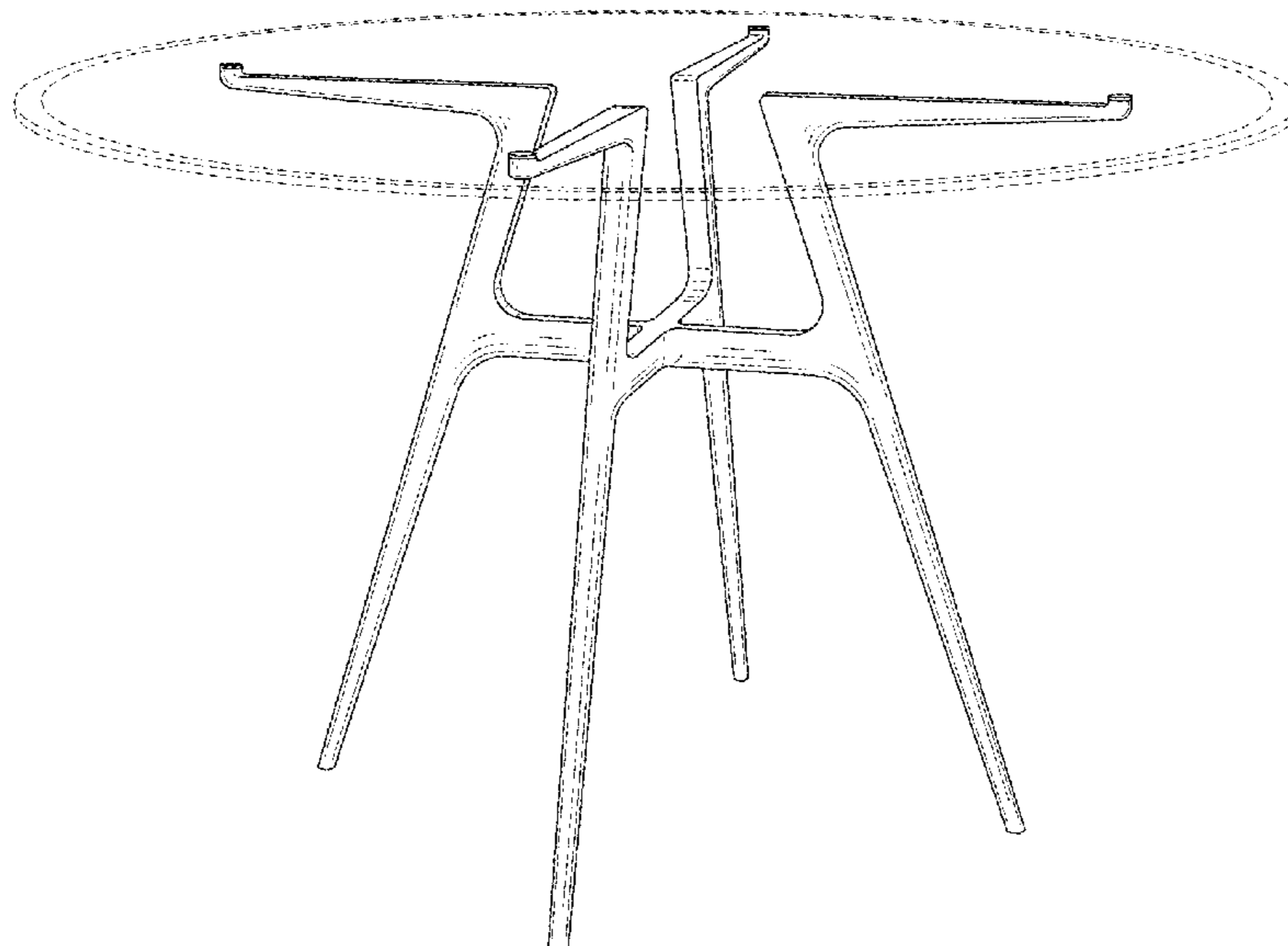


FIG. 1

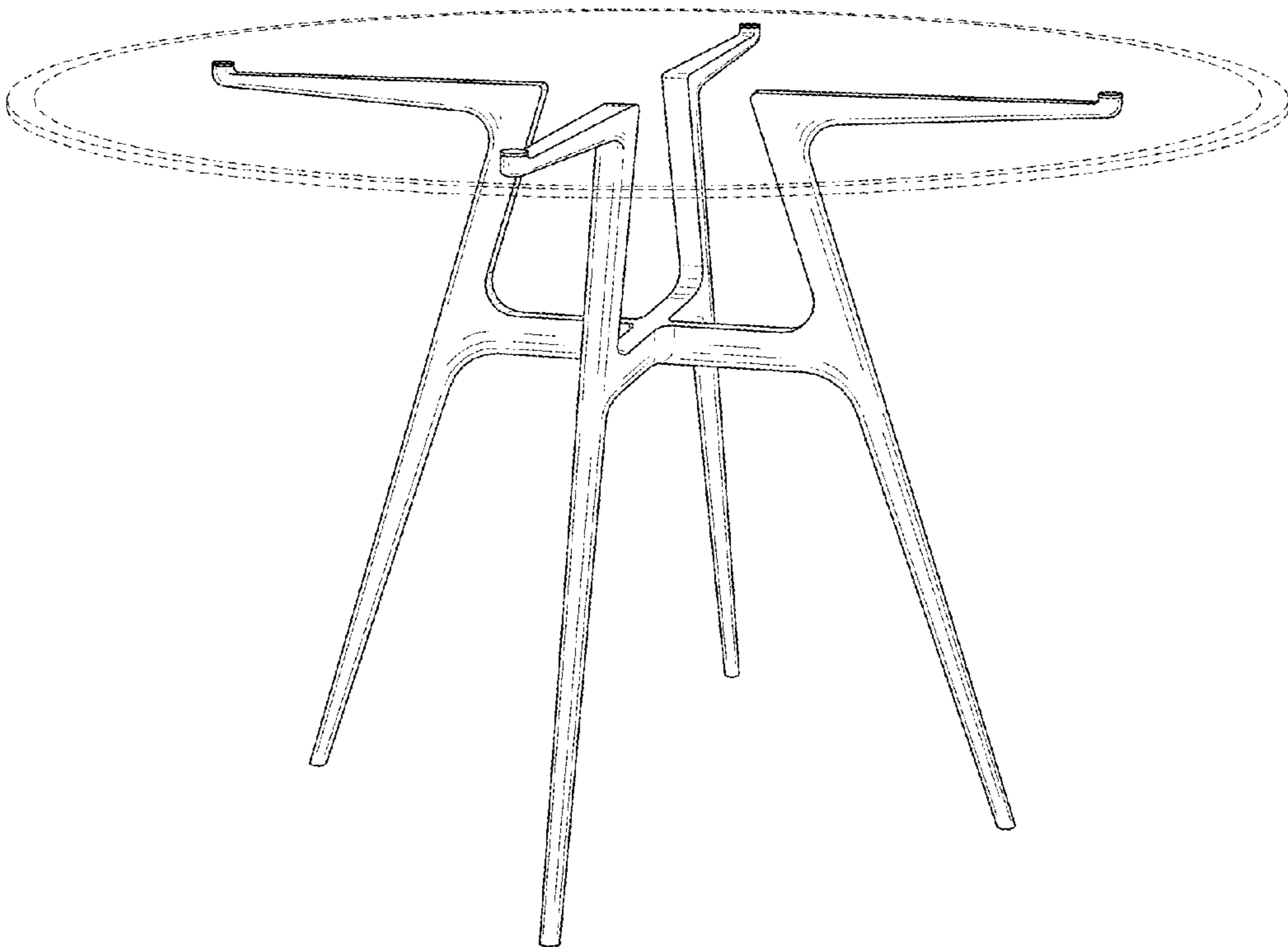


FIG. 2

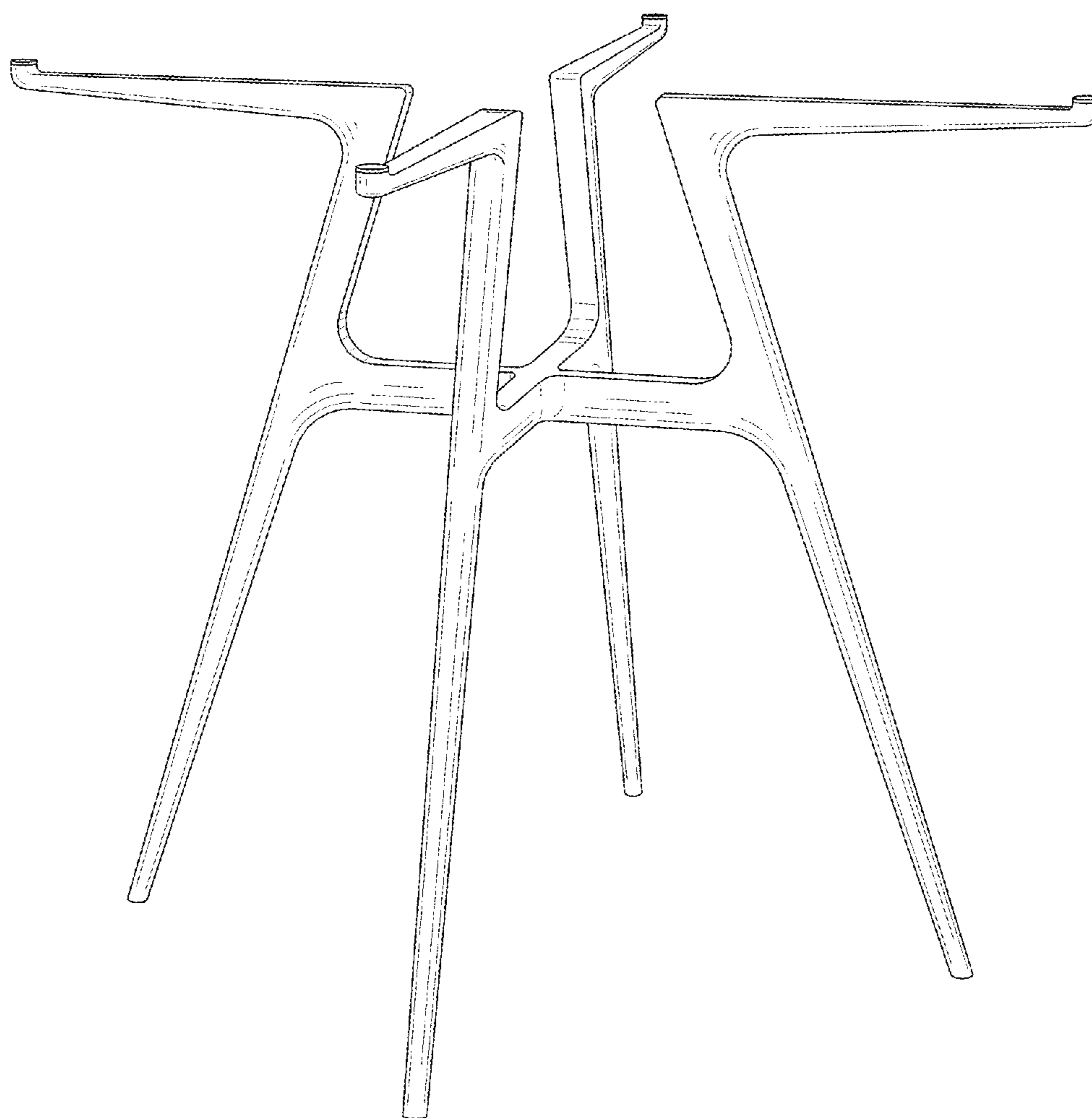


FIG. 3

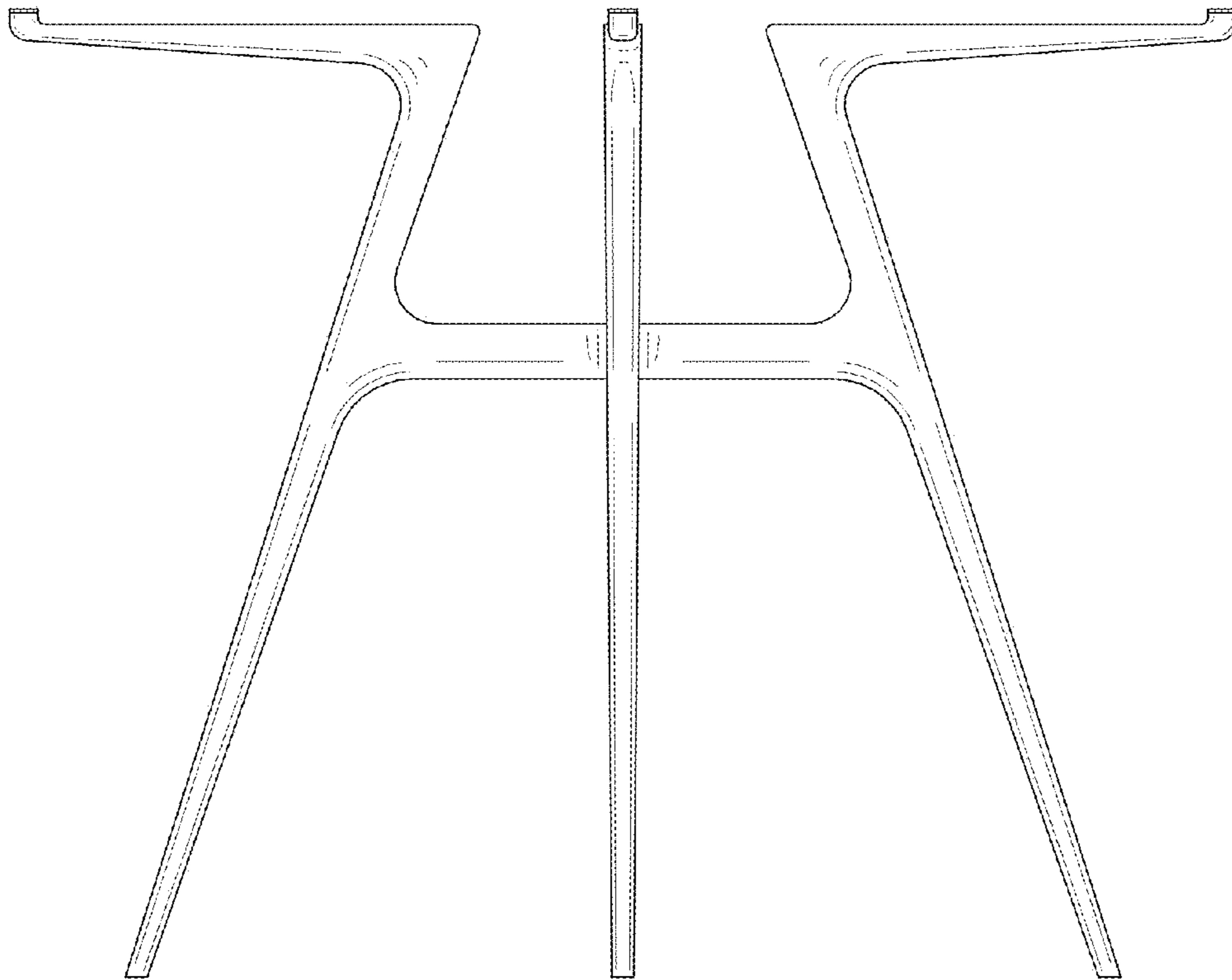


FIG. 4

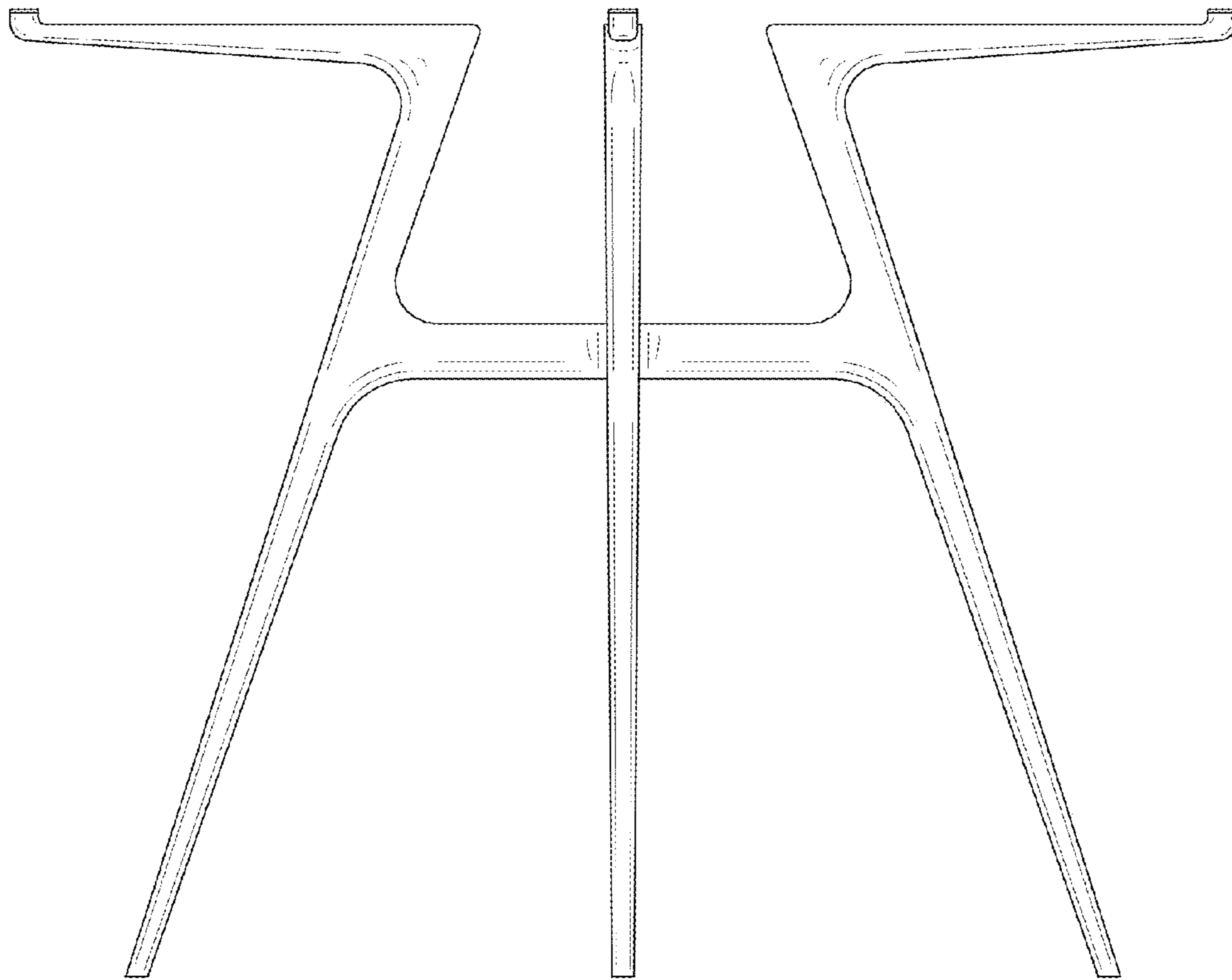


FIG. 5

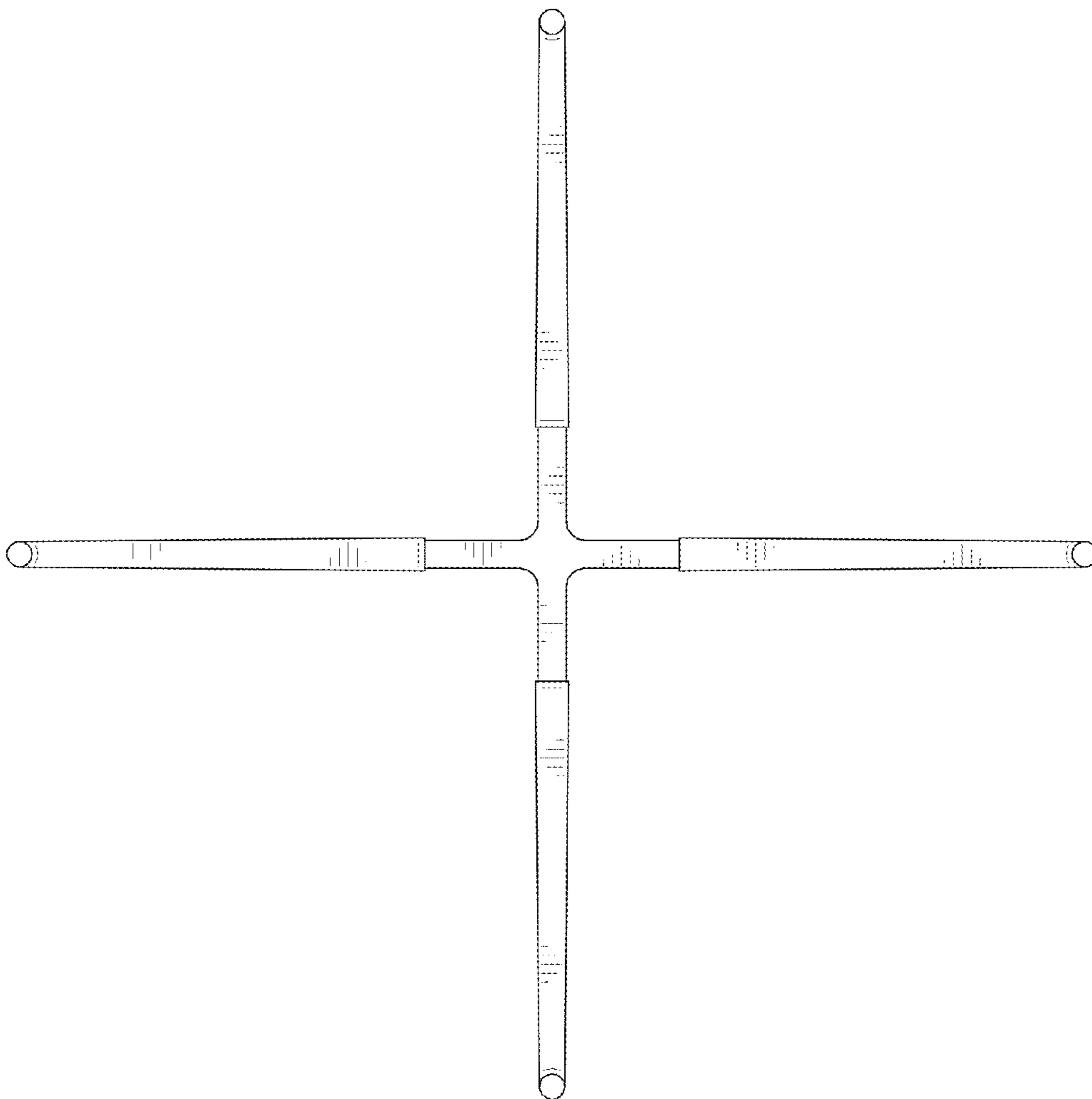


FIG. 6

