



US00D764847S

(12) **United States Design Patent** (10) **Patent No.:** **US D764,847 S**
Strater (45) **Date of Patent:** **** *Aug. 30, 2016**

(54) **DESK**

(71) Applicant: **Erin Strater**, Los Angeles, CA (US)

(72) Inventor: **Erin Strater**, Los Angeles, CA (US)

(*) Notice: This patent is subject to a terminal disclaimer.

(**) Term: **14 Years**

(21) Appl. No.: **29/525,135**

(22) Filed: **Apr. 27, 2015**

Related U.S. Application Data

(63) Continuation-in-part of application No. 29/469,963, filed on Oct. 16, 2013, now Pat. No. Des. 730,087.

(51) **LOC (10) Cl.** **06-06**

(52) **U.S. Cl.**
USPC **D6/707.19**

(58) **Field of Classification Search**
USPC D6/656, 656.11, 656.12, 656.13, D6/656.15, 691, 691.4, 691.6, 691.3; 108/150, 153.1, 155, 156, 157.1, 161; 248/188, 188.1, 188.8
CPC A47B 13/023; A47B 2013/024; A47B 2013/25; A47B 9/00; A47B 9/04; A47B 9/20; A47B 13/08; A47B 13/083; A47B 13/10; A47C 3/285

See application file for complete search history.

(56) **References Cited**

U.S. PATENT DOCUMENTS

D314,878 S *	2/1991	Hart	D6/691.3
D382,735 S *	8/1997	Zapf	D6/703.1
D661,129 S *	6/2012	Schweikarth	D6/349
D720,161 S *	12/2014	Udagawa	D6/656.13

* cited by examiner

Primary Examiner — Janice Seeger

(74) *Attorney, Agent, or Firm* — James R. Gourley; Carstens & Cahoon, LLP

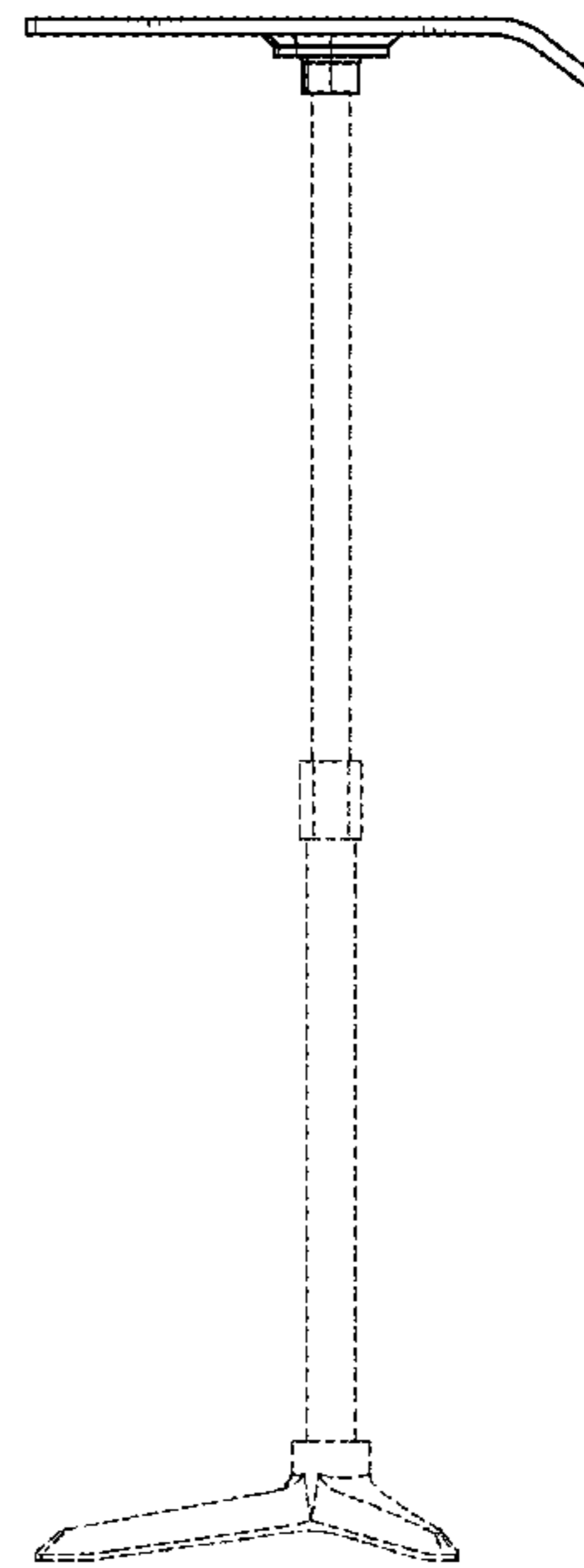
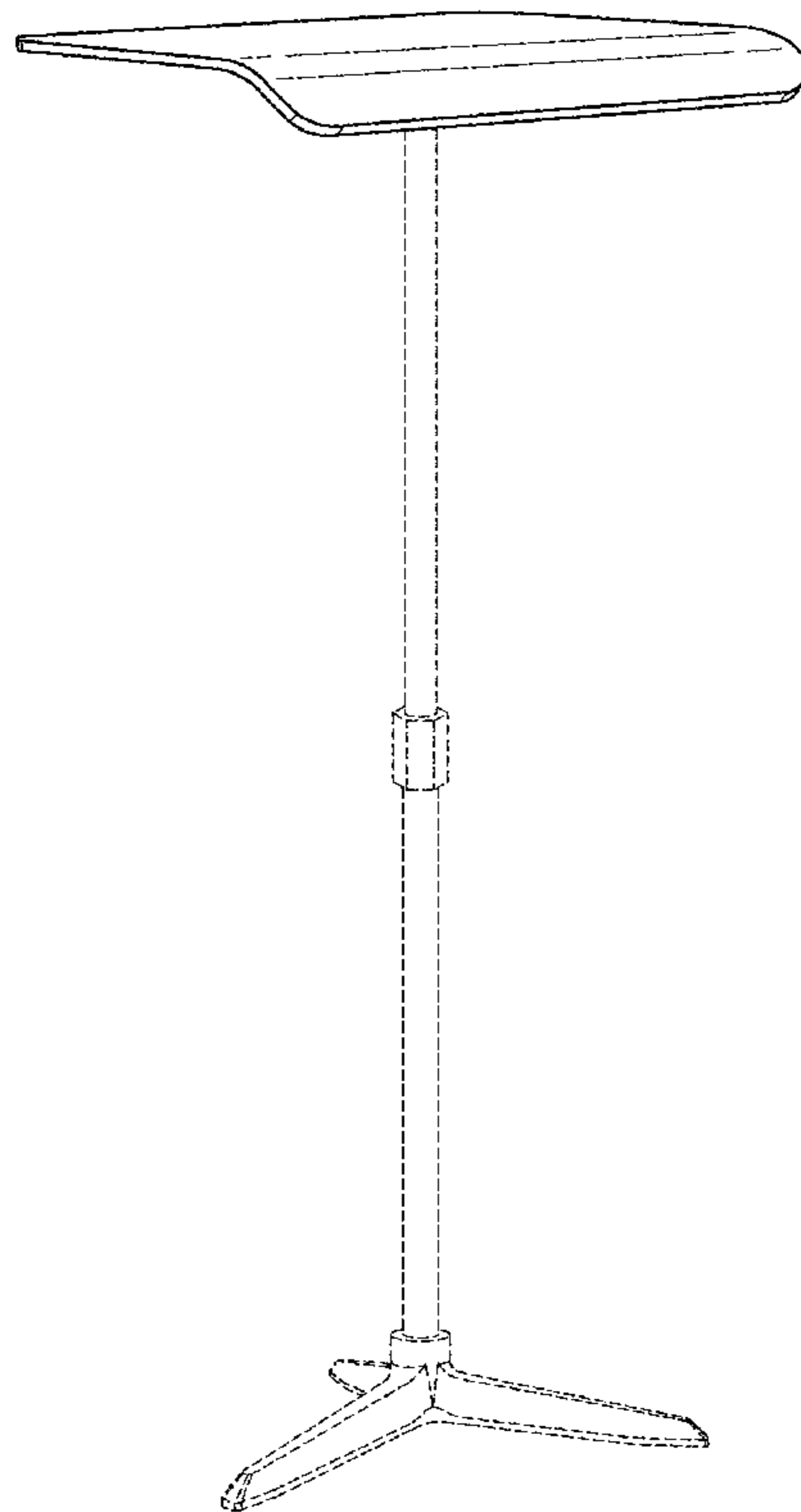
(57) **CLAIM**

The ornamental design for a desk, as shown and described.

DESCRIPTION

FIG. 1 is a perspective view of the desk of the present invention;
FIG. 2 is a front view of the desk of the present invention;
FIG. 3 is a back view of the desk of the present invention;
FIG. 4 is a side view of the desk of the present invention;
FIG. 5 is another side view of the desk of the present invention;
FIG. 6 is a top view of the desk of the present invention; and,
FIG. 7 is a bottom view of the desk of the present invention.
The broken lines are for illustrative purposes only and form no part of the claimed design.

1 Claim, 4 Drawing Sheets



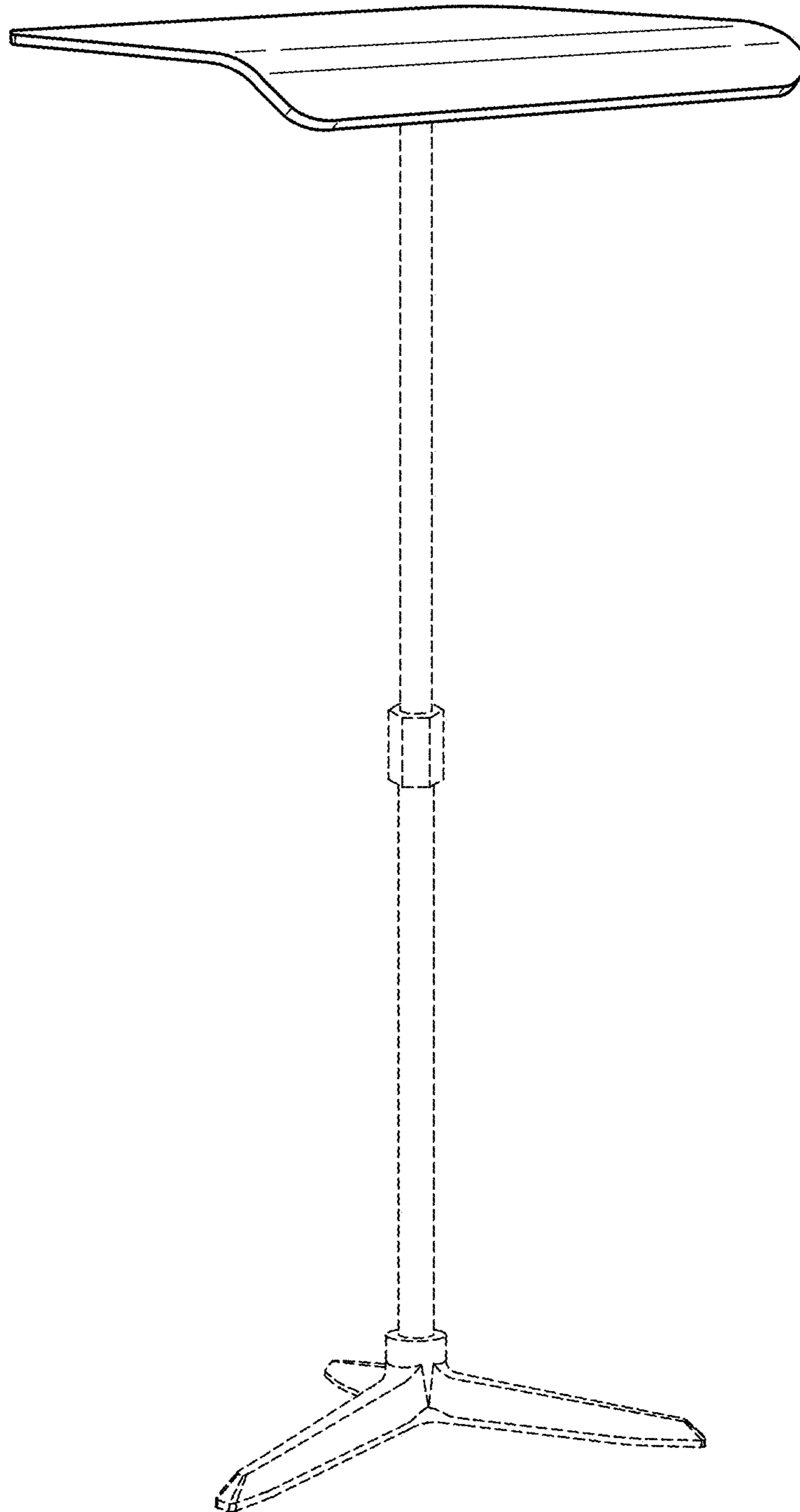


FIG. 1

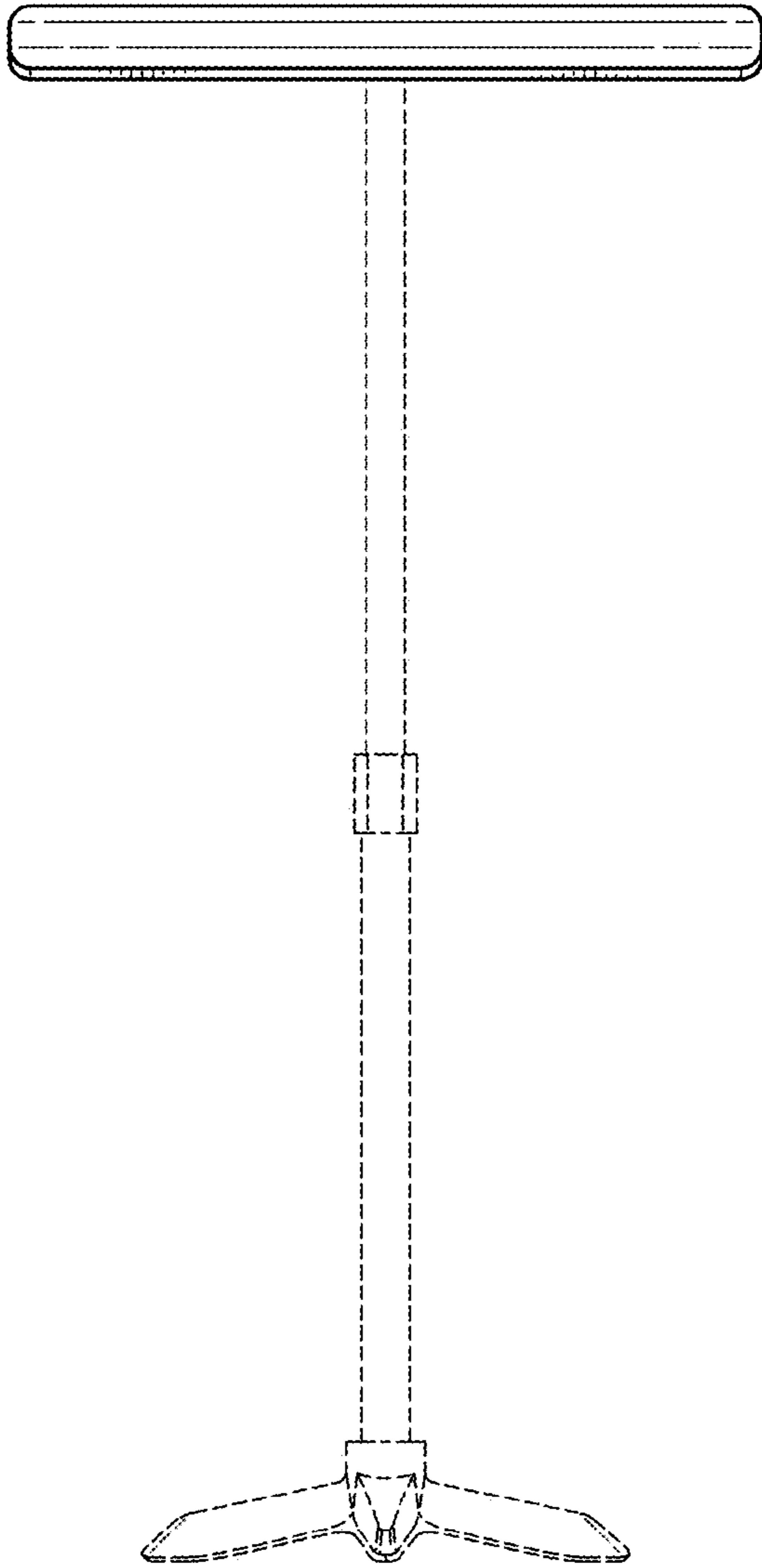


FIG. 2

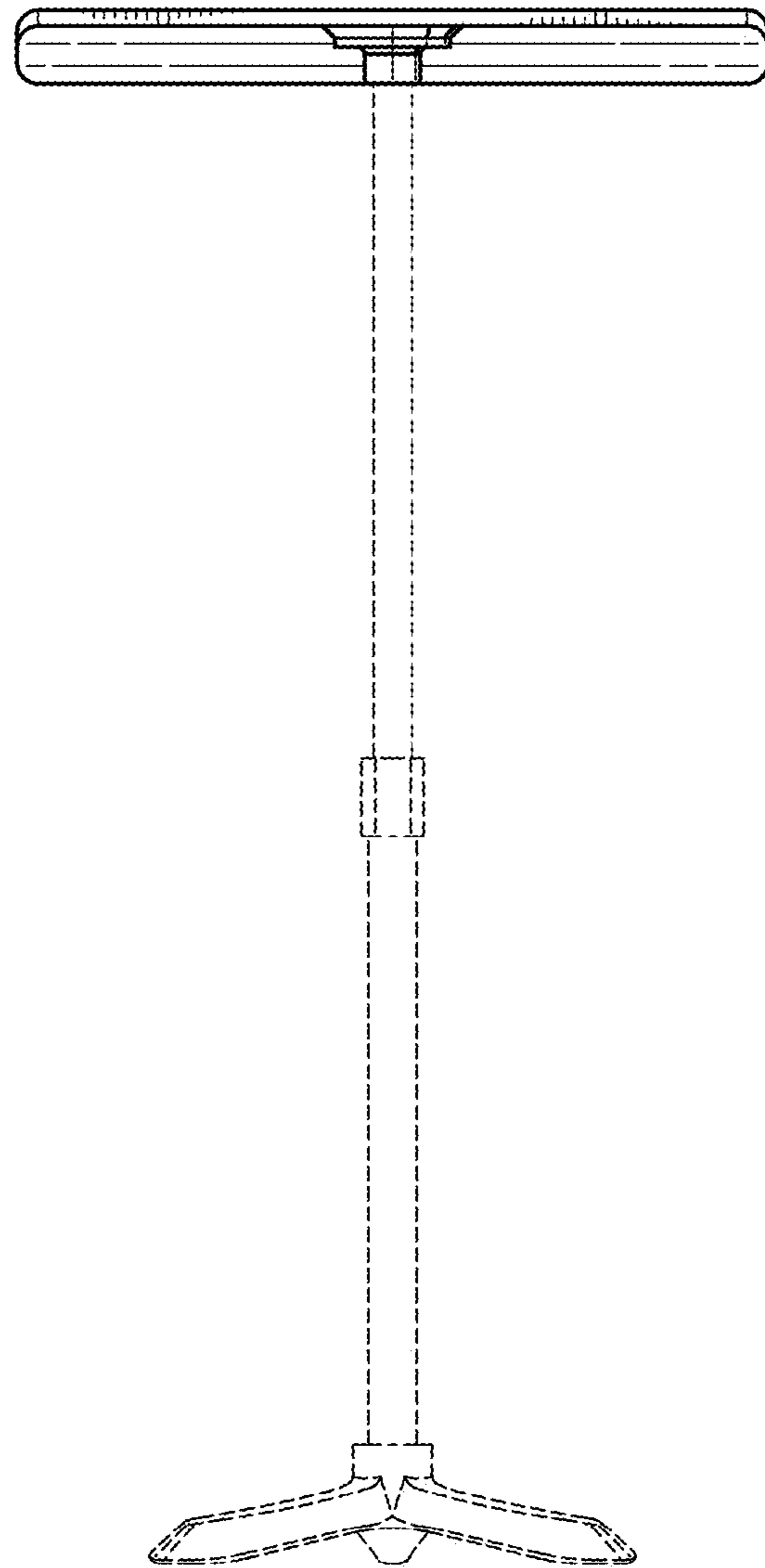


FIG. 3

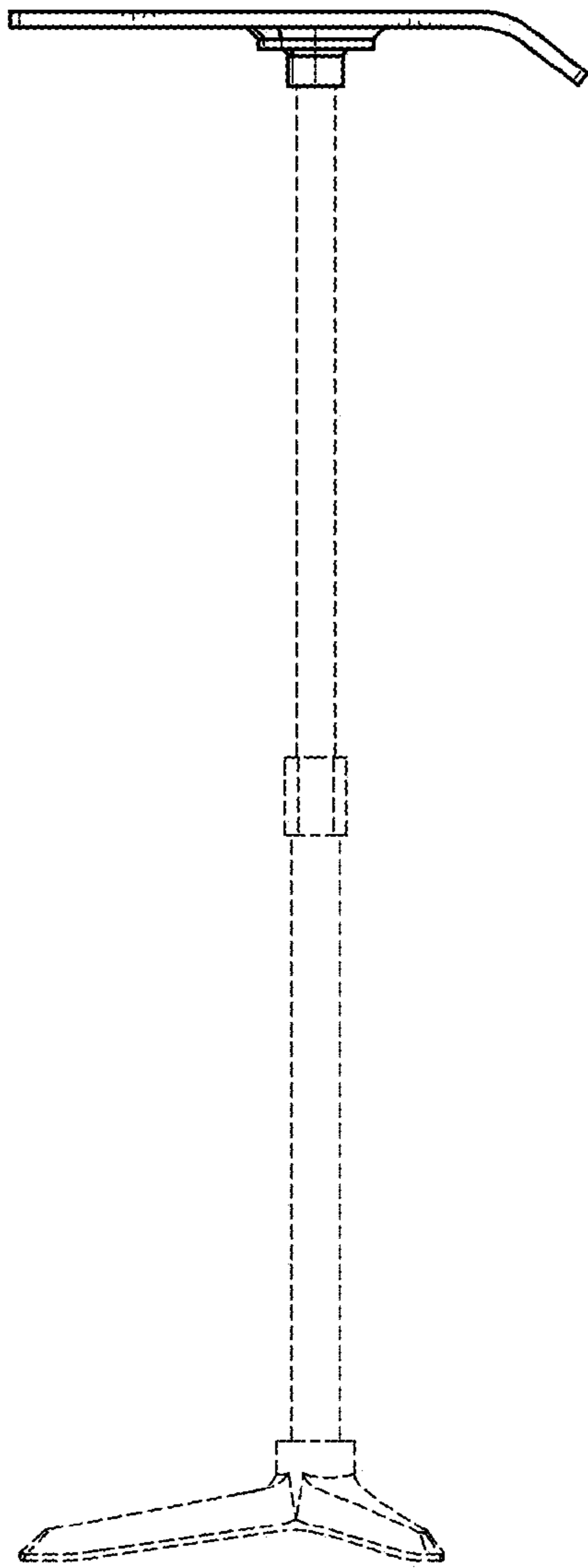


FIG. 4

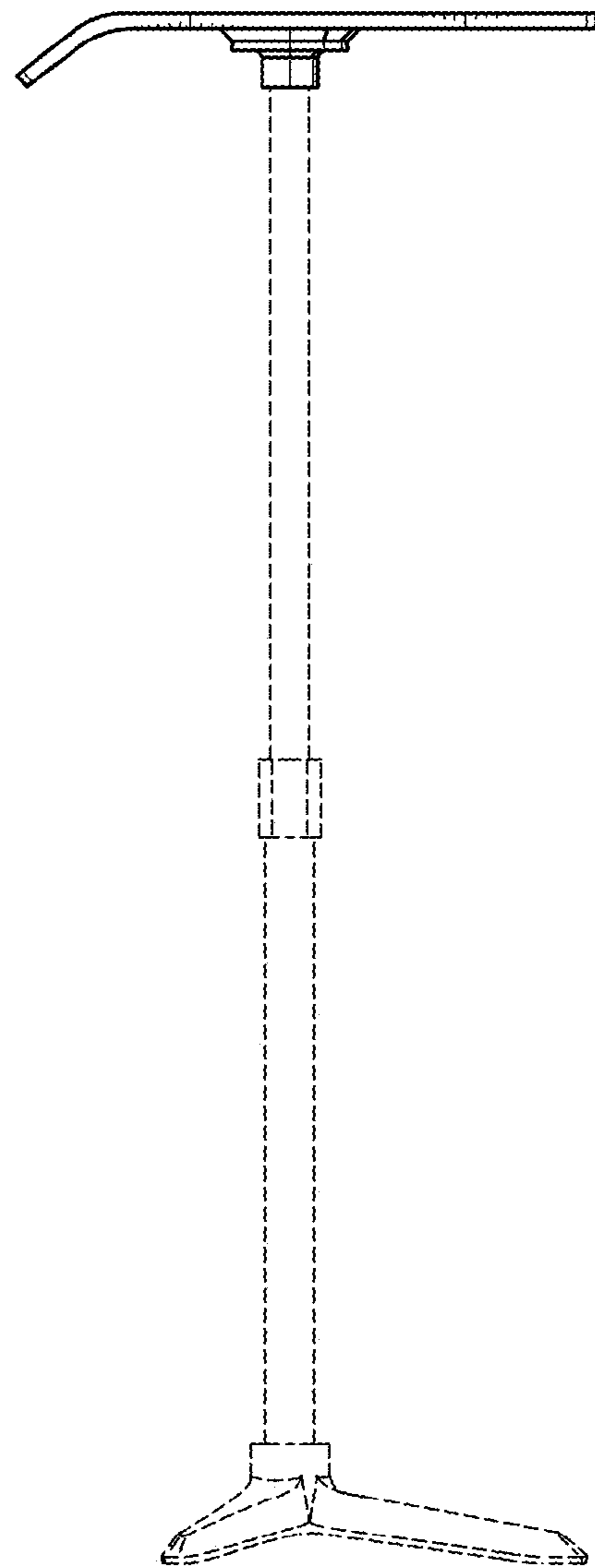


FIG. 5

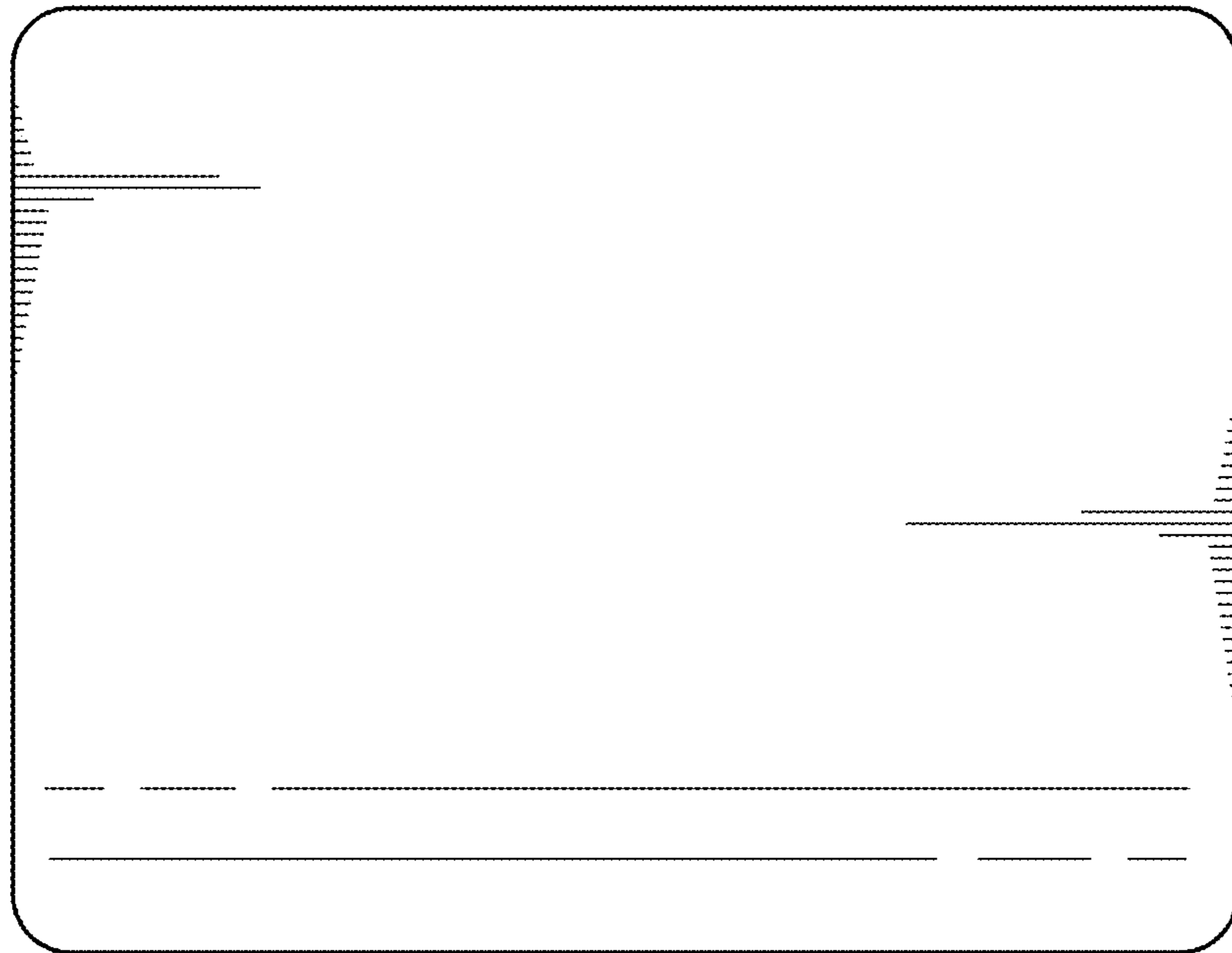


FIG. 6

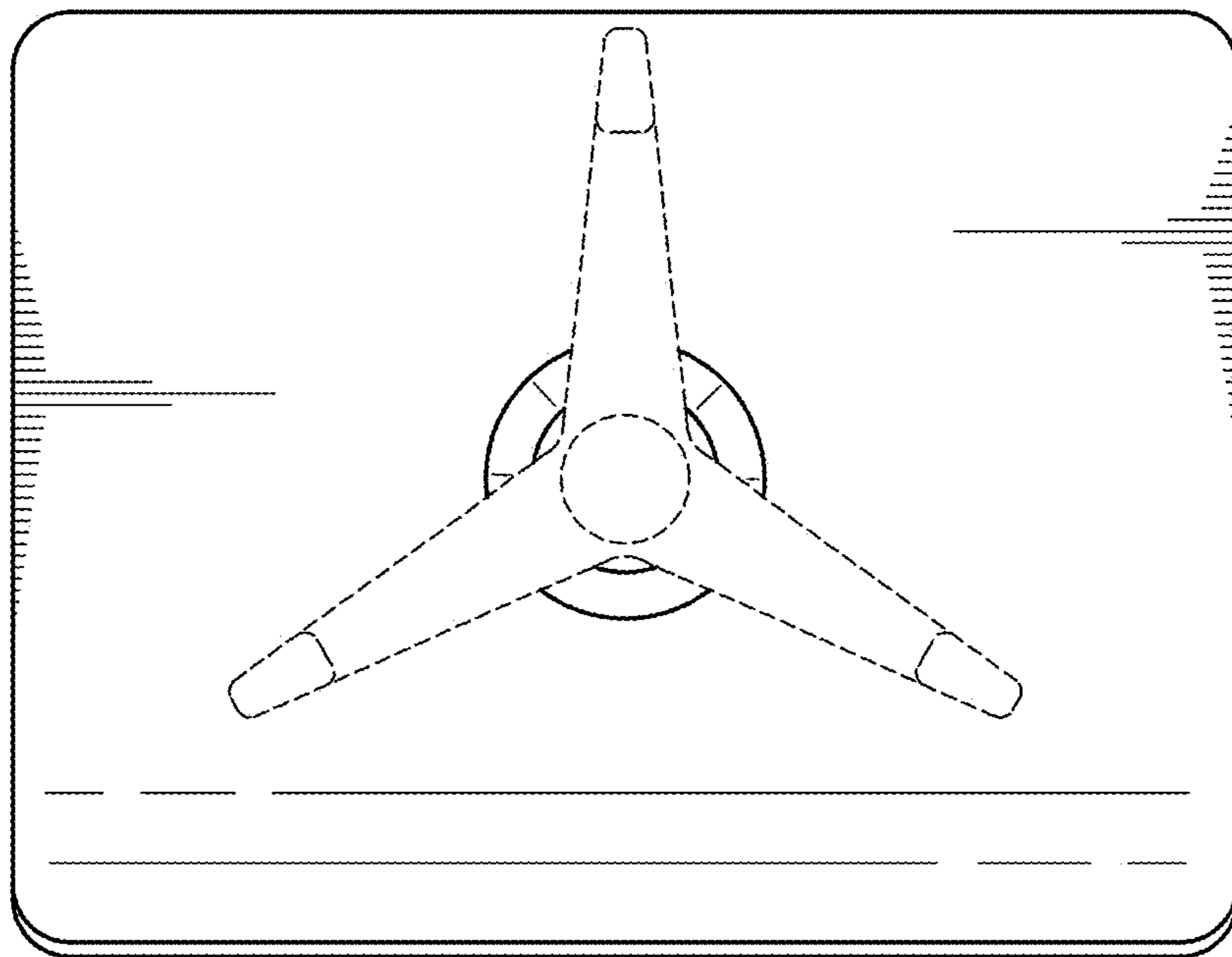


FIG. 7