

US00D764846S

(12) **United States Design Patent**
Reinhart

(10) **Patent No.:** **US D764,846 S**

(45) **Date of Patent:** **** Aug. 30, 2016**

(54) **CABINET DOOR**

(71) Applicant: **Continental Commercial Products, LLC**, Bridgeton, MO (US)

(72) Inventor: **Nickolas Reinhart**, Findlay, OH (US)

(73) Assignee: **Continental Commercial Products, LLC**, Bridgeton, MO (US)

(**) Term: **14 Years**

(21) Appl. No.: **29/502,325**

(22) Filed: **Sep. 15, 2014**

(51) **LOC (10) Cl.** **06-06**

(52) **U.S. Cl.**
USPC **D6/703**

(58) **Field of Classification Search**
USPC D6/657, 600, 63, 664, 664.1, 671,
D6/671.1, 671.3, 703.1, 703.2, 705.5,
D6/705.7, 718.13; 312/109, 138.1;
D25/55, 48.3
CPC A47B 96/20; A47B 96/205; A47B
2096/207; A47B 2096/208
See application file for complete search history.

(56) **References Cited**

U.S. PATENT DOCUMENTS

D221,089 S * 7/1971 Burgaman D6/671.1
4,853,062 A * 8/1989 Gartland A47B 96/205
144/350

D392,127 S * 3/1998 Paus D6/703
D434,581 S * 12/2000 Spann, Jr. D6/671
D485,916 S * 1/2004 Park D25/119
D560,928 S * 2/2008 Draheim D6/671
D697,347 S * 1/2014 Wysock D6/703
D756,534 S * 5/2016 Allen D25/48.3

* cited by examiner

Primary Examiner — Susan Bennett Hattan

Assistant Examiner — Rebecca Tsehaye

(74) *Attorney, Agent, or Firm* — Thompson Coburn, LLP;
Clyde Smith

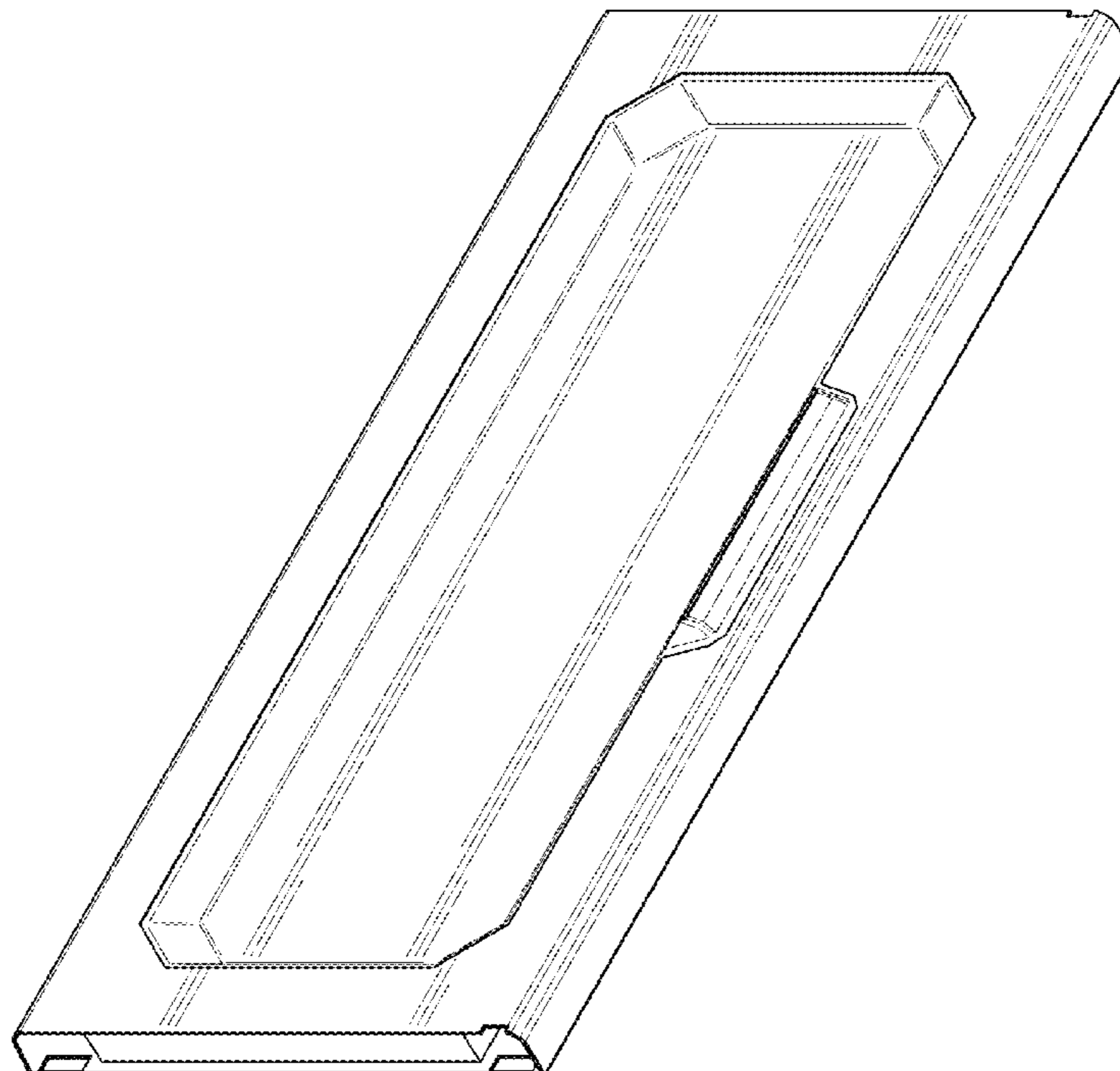
(57) **CLAIM**

The ornamental design for a cabinet door, as shown and described.

DESCRIPTION

FIG. 1 is a front perspective view of a cabinet door;
FIG. 2 is a rear perspective view of the cabinet door shown in FIG. 1;
FIG. 3 is a front elevational view thereof;
FIG. 4 is a rear elevational view thereof;
FIG. 5 is a top plan view thereof;
FIG. 6 is a bottom plan view thereof;
FIG. 7 is a left side elevational view thereof; and,
FIG. 8 is a right side elevational view thereof.
The ornamental design which is claimed is shown in solid lines in the drawings.

1 Claim, 5 Drawing Sheets



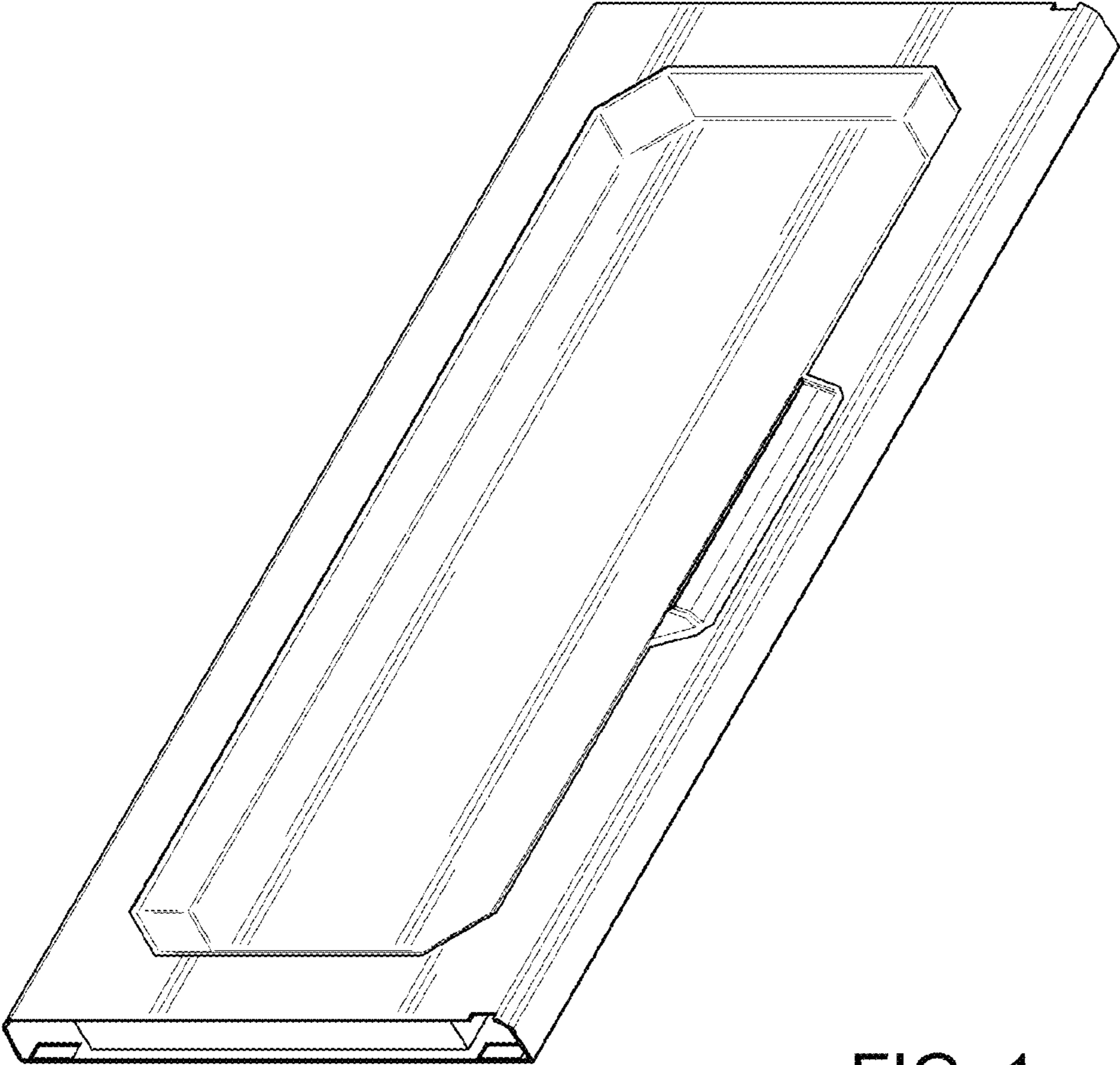


FIG. 1

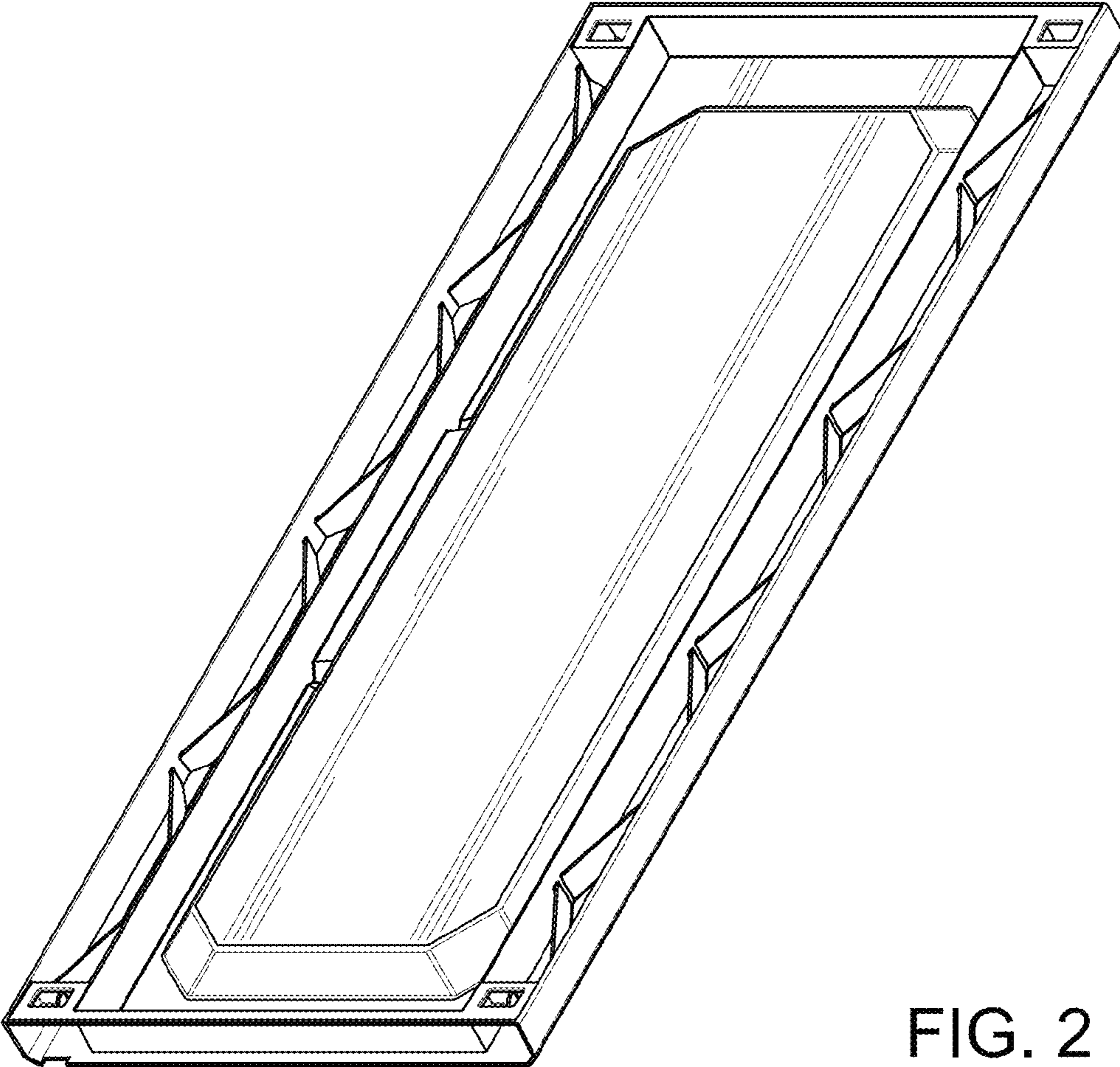


FIG. 2

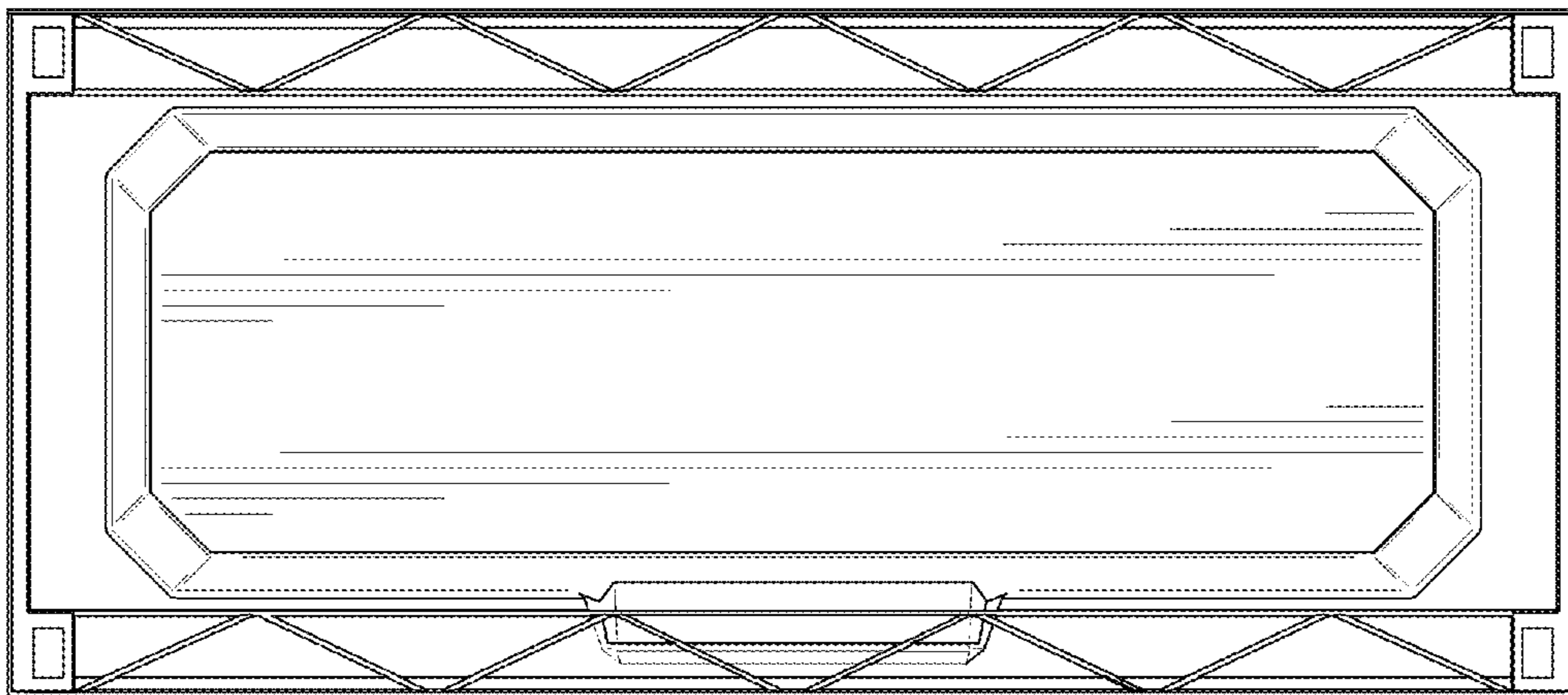


FIG. 4

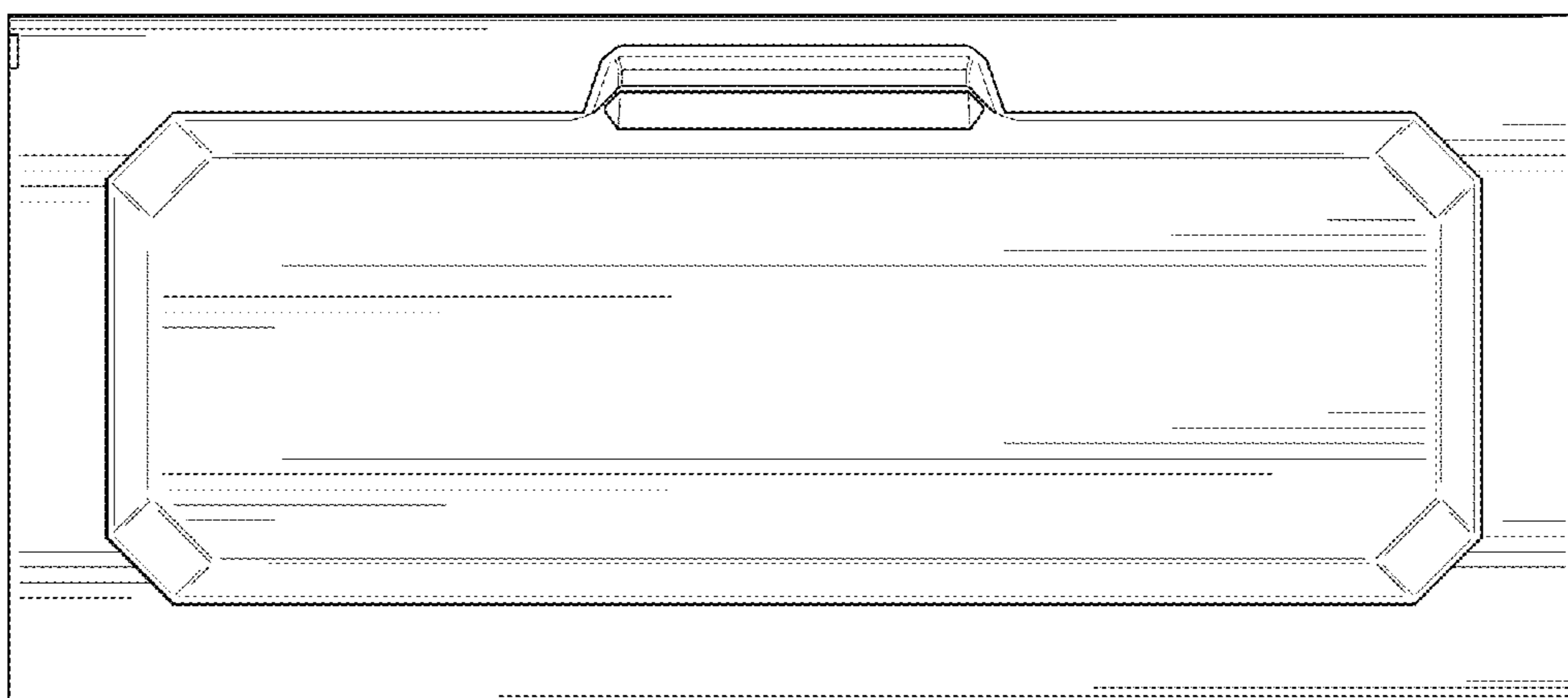


FIG. 3

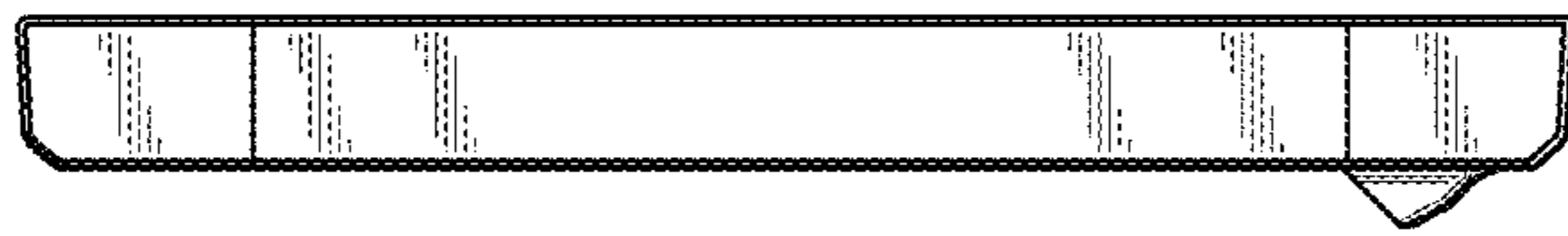


FIG. 5



FIG. 6

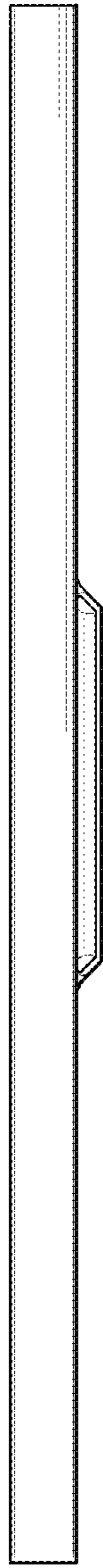


FIG. 7

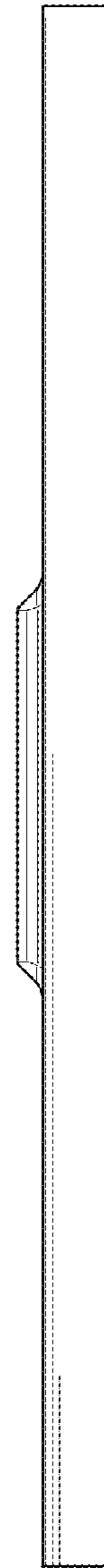


FIG. 8