



US00D764843S

(12) **United States Design Patent**
Peden et al.

(10) **Patent No.:** **US D764,843 S**

(45) **Date of Patent:** **** *Aug. 30, 2016**

(54) **END FRAME FOR SHELVES**

(71) Applicants: **Robert Preston Peden**, Santa Clara,
CA (US); **Shirley Ann Nathan**,
Sunnyvale, CA (US)

(72) Inventors: **Robert Preston Peden**, Santa Clara,
CA (US); **Shirley Ann Nathan**,
Sunnyvale, CA (US)

(*) Notice: This patent is subject to a terminal disclaimer.

(**) Term: **15 Years**

(21) Appl. No.: **29/529,425**

(22) Filed: **Jun. 6, 2015**

(51) **LOC (10) Cl.** **06-06**

(52) **U.S. Cl.**
USPC **D6/675.3**

(58) **Field of Classification Search**
USPC D6/675, 675.1, 675.3
CPC . A47F 2003/066; A47F 5/0018; A47F 5/106
See application file for complete search history.

(56) **References Cited**

U.S. PATENT DOCUMENTS

D233,294 S * 10/1974 **Goulder** D6/675.3
D241,217 S * 8/1976 **Cohen** D6/675.3

D244,077 S * 4/1977 **Saltz** D6/675.1
D251,947 S * 5/1979 **Taniwaki** D6/675.1
D286,115 S * 10/1986 **Evans** D6/675.1
D301,413 S * 6/1989 **Rosen** D6/661
D303,879 S * 10/1989 **Williams** D6/673
D362,761 S * 10/1995 **Hood** D6/643.1
D364,055 S * 11/1995 **Pakla** D6/675.1
D518,665 S * 4/2006 **Palmquist** D6/675.1
D543,056 S * 5/2007 **Chou** D6/675.1
D618,932 S * 7/2010 **Linder** D6/675.1
D647,329 S * 10/2011 **Ward** D6/675.3
D706,064 S * 6/2014 **Ota** D6/675.3
D712,181 S * 9/2014 **Martell** D6/675.1
D722,459 S * 2/2015 **Schluetter** D6/675.3

* cited by examiner

Primary Examiner — Kelley Donnelly

(57) **CLAIM**

An ornamental design for an end frame for shelves, as shown and described.

DESCRIPTION

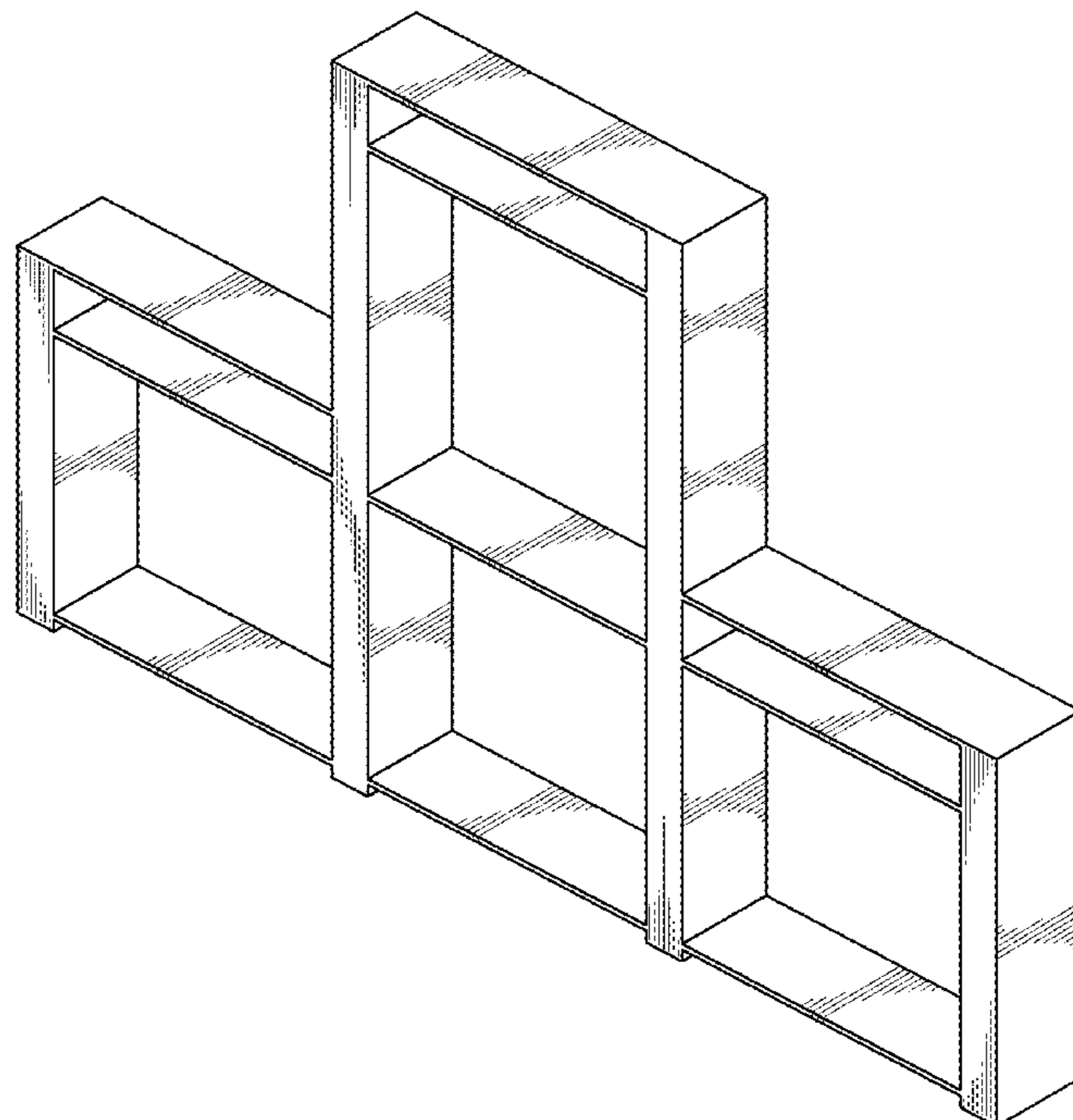
FIG. 1 is a perspective view of an end frame for shelves showing our new design.

FIG. 2 is a right side elevational view of the end frame of FIG. 1, the left side view being a mirror image thereof.

FIG. 3 is a front elevational view of the end frame of FIG. 1, the back elevational view being a mirror image thereof.

FIG. 4 is a top plan view of the end frame of FIG. 1; and, FIG. 5 is a bottom plan view of the end frame of FIG. 1.

1 Claim, 3 Drawing Sheets



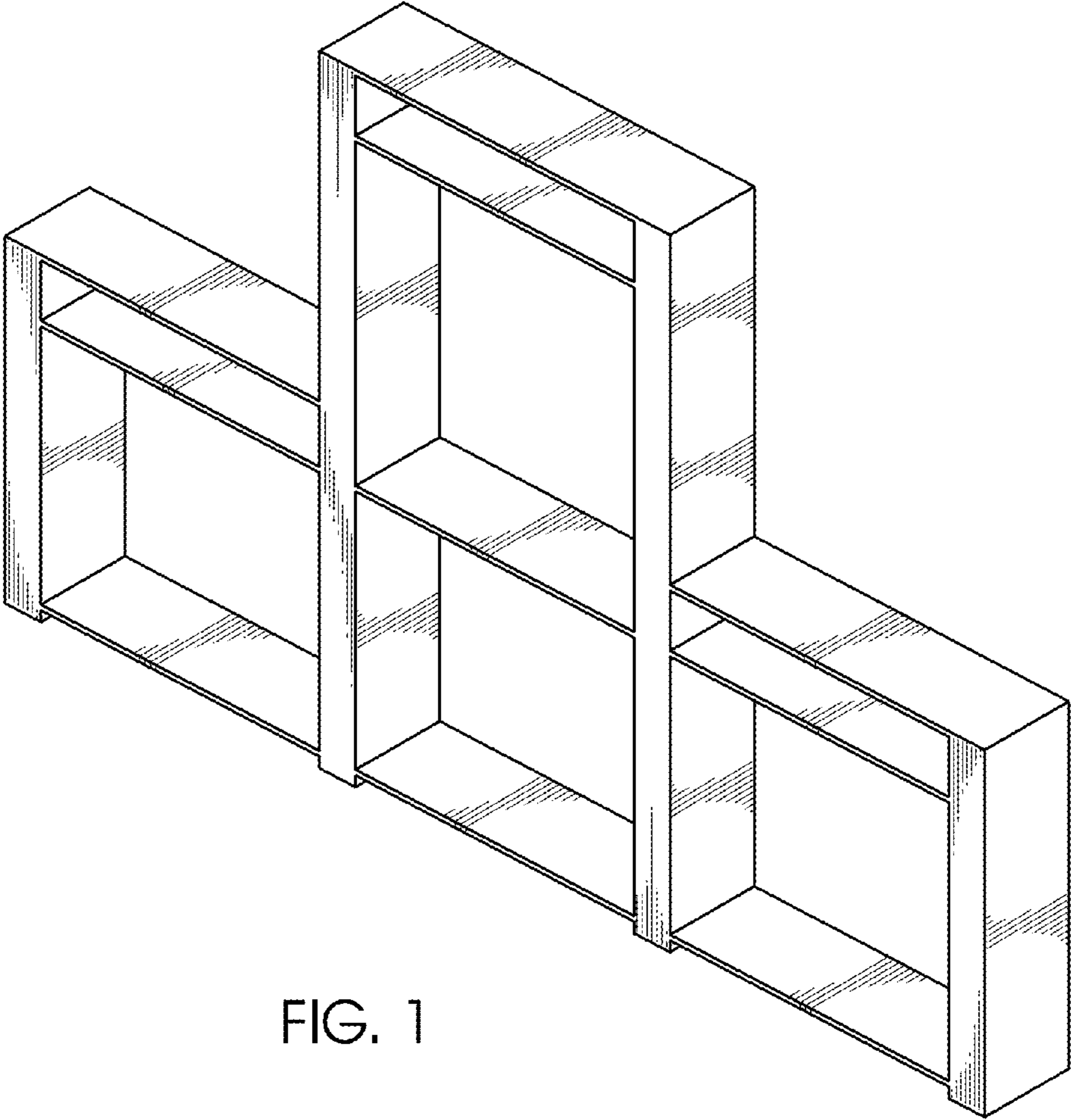


FIG. 1

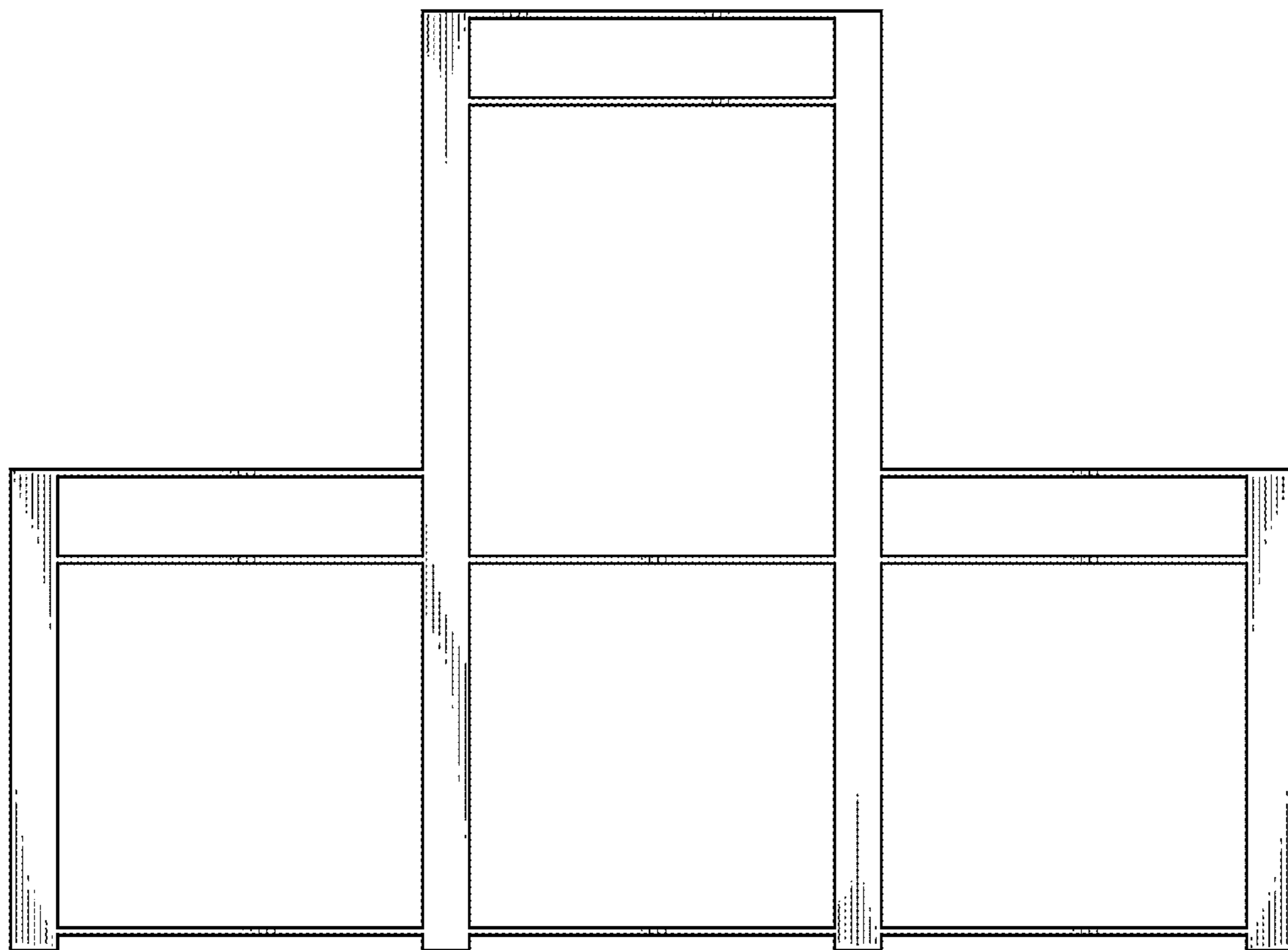


FIG. 2

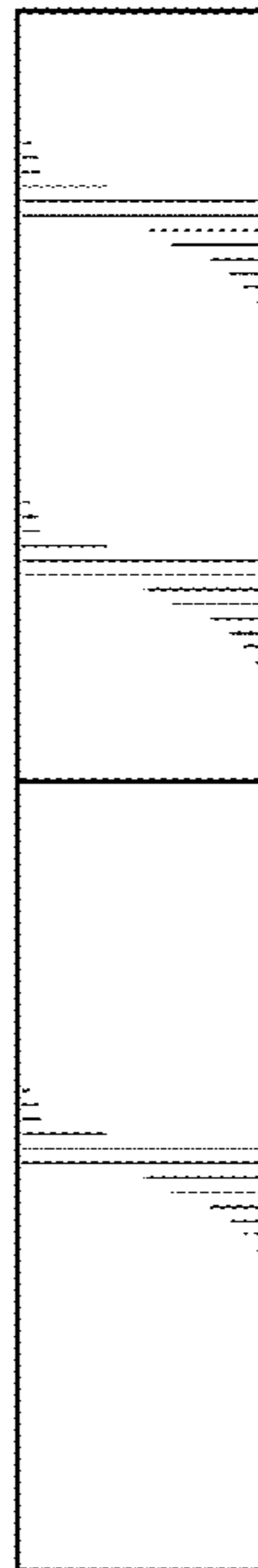


FIG. 3

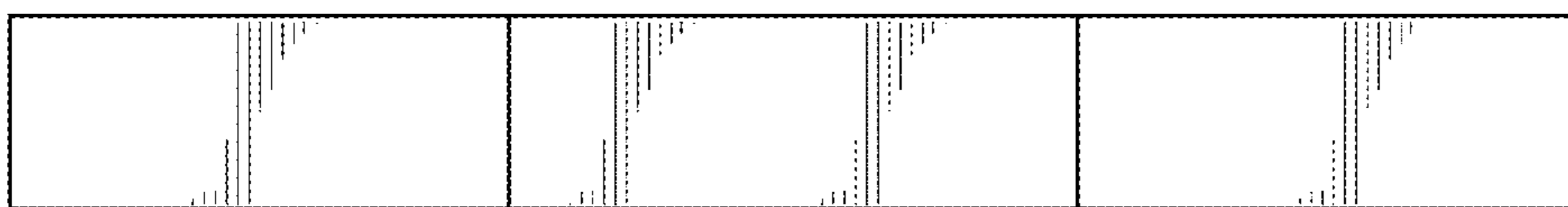


FIG. 4

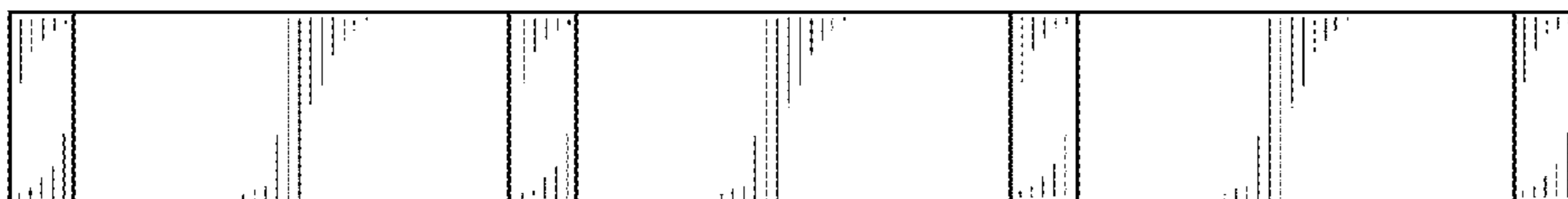


FIG. 5