



US00D764835S

(12) **United States Design Patent** (10) **Patent No.:** **US D764,835 S**
Buccola, Jr. et al. (45) **Date of Patent:** **** Aug. 30, 2016**

(54) **COVERING FOR AN ARCHITECTURAL OPENING**

(71) Applicant: **Hunter Douglas Inc.**, Pearl River, NY (US)
(72) Inventors: **Nickolas C. Buccola, Jr.**, Brighton, CO (US); **Terrence M. Drew**, Superior, CO (US); **Kenneth M. Faller**, Thornton, CO (US); **Kent A. Smith**, Broomfield, CO (US)
(73) Assignee: **Hunter Douglas Inc.**, Pearl River, NY (US)

(**) Term: **14 Years**
(21) Appl. No.: **29/497,575**
(22) Filed: **Jul. 25, 2014**

Related U.S. Application Data

(63) Continuation of application No. 14/212,387, filed on Mar. 14, 2014.
(60) Provisional application No. 61/801,811, filed on Mar. 15, 2013, provisional application No. 61/834,080, filed on Jun. 12, 2013.

(51) **LOC (10) Cl.** **06-10**
(52) **U.S. Cl.**
USPC **D6/575**

(58) **Field of Classification Search**
USPC D6/575, 576, 577, 578, 579, 580, 581; D8/17, 349, 350, 351, 353, 369, 376, D8/378; 160/84.01, 84.02, 84.03, 84.04, 160/84.05, 84.06, 84.07, 84.08, 106, 107, 160/108, 111, 113, 130, 133, 166.1, 176
CPC E06B 3/30; E06B 3/92; E06B 3/285; E06B 9/00; E06B 9/02; E06B 9/24; E06B 9/26; E06B 9/262; E06B 2009/2622; A47H 1/00; A47H 1/02; A47H 21/00; A47H 23/00; A47H 23/02; A47H 23/04; A47H 23/10; A47H 2001/0205; A47H 2023/025
See application file for complete search history.

(56) **References Cited**

U.S. PATENT DOCUMENTS

824,930 A 7/1906 Hopkins
2,280,358 A 4/1942 Tietig

(Continued)

FOREIGN PATENT DOCUMENTS

CA 2178167 A1 12/1996
CA 2777454 A1 11/2012

(Continued)

OTHER PUBLICATIONS

International Search Report and Written Opinion of PCT International Patent Application No. PCT/US14/42131, dated Dec. 19, 2014. 10 pages.

Primary Examiner — Karen S Acker
Assistant Examiner — Wendy Arminio

(74) *Attorney, Agent, or Firm* — Dorsey & Whitney LLP

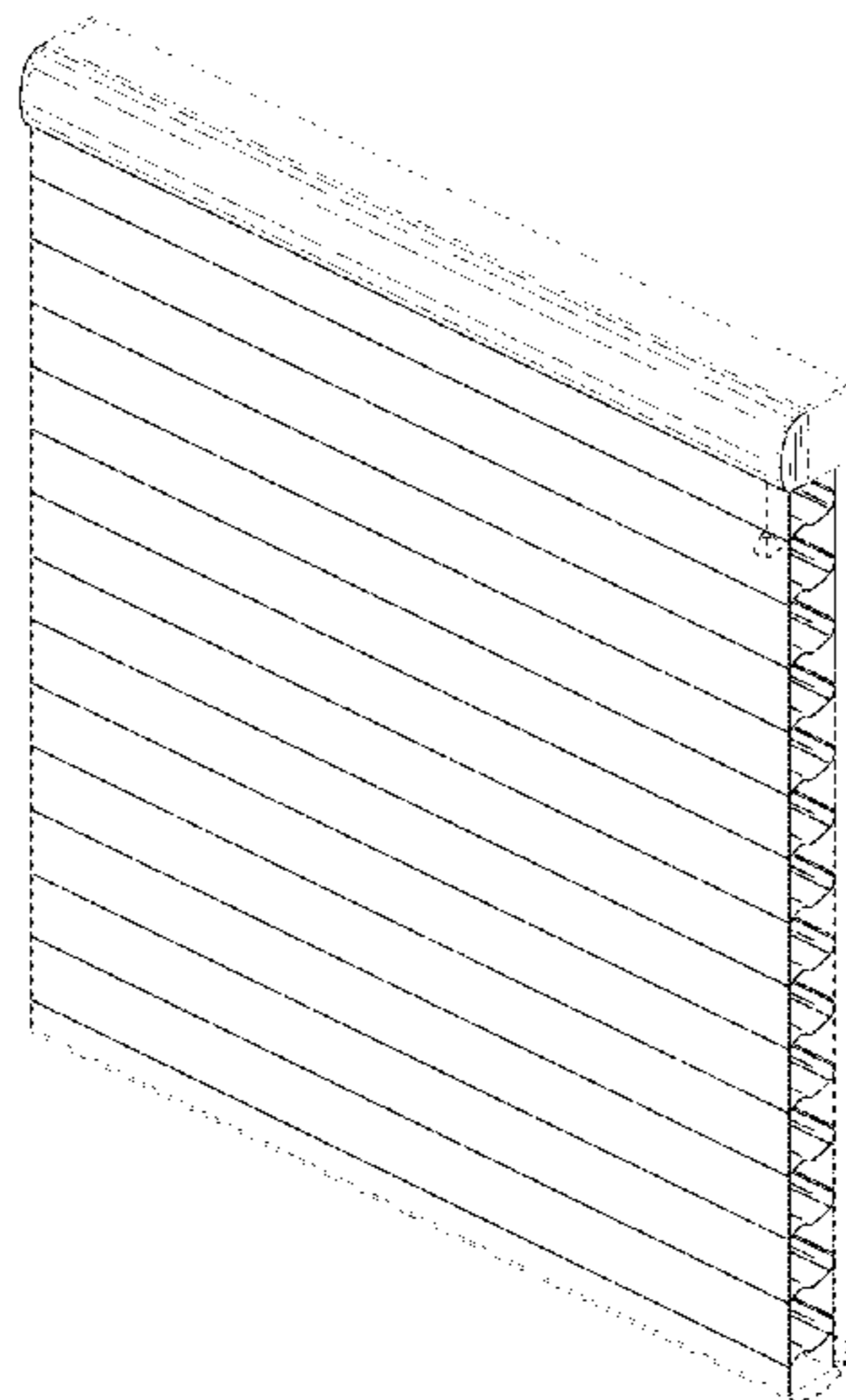
(57) **CLAIM**

We claim the ornamental design for a covering for an architectural opening, as shown and described.

DESCRIPTION

FIG. 1 is an isometric view of a covering for an architectural opening in accordance with the claimed design.
FIG. 2 is a front elevation view thereof.
FIG. 3 is a rear elevation view thereof.
FIG. 4 is a right side elevation view thereof.
FIG. 5 is a left side elevation view thereof.
FIG. 6 is a top plan view thereof; and,
FIG. 7 is a bottom plan view thereof.
The dash-dot-dash broken lines illustrate the boundaries of the claimed design and form no part thereof.

1 Claim, 5 Drawing Sheets



(56)

References Cited

U.S. PATENT DOCUMENTS

2,503,101 A 4/1950 Drury
 3,007,342 A 11/1961 Wardlaw
 3,063,495 A 11/1962 Petrick
 4,020,889 A 5/1977 Karoll
 4,237,956 A 12/1980 Sivin et al.
 4,372,432 A 2/1983 Waine et al.
 4,433,765 A 2/1984 Rude et al.
 4,610,293 A 9/1986 Weiblen
 4,813,468 A 3/1989 Fraser
 5,205,334 A * 4/1993 Judkins B23Q 3/15526
 160/108
 5,228,936 A 7/1993 Goodhue
 5,313,999 A 5/1994 Colson et al.
 D348,371 S * 7/1994 Judkins D6/577
 5,419,385 A * 5/1995 Vogel E06B 9/262
 160/121.1
 5,647,421 A 7/1997 Hoffmann et al.
 5,791,390 A 8/1998 Watanabe
 5,897,731 A 4/1999 Colson et al.
 6,164,362 A 12/2000 Yang
 D446,070 S * 8/2001 Judkins D6/575
 6,289,964 B1 9/2001 Colson et al.
 6,435,252 B2 8/2002 Colson et al.
 6,516,856 B2 2/2003 Lai
 6,530,413 B2 3/2003 Hwang
 6,651,720 B1 11/2003 DiSilvestro et al.
 6,712,115 B2 * 3/2004 Judkins E06B 9/264
 106/178.1 R
 6,834,701 B2 12/2004 Colson et al.
 6,876,493 B1 4/2005 Lin
 7,059,377 B2 6/2006 Nien et al.
 7,063,122 B2 6/2006 Colson et al.
 7,093,643 B2 8/2006 Ikle
 7,128,126 B2 10/2006 Smith et al.
 7,143,802 B2 12/2006 Strand et al.
 7,159,635 B2 1/2007 Holt et al.
 7,500,505 B2 * 3/2009 Smith E06B 9/42
 160/120
 7,549,455 B2 6/2009 Harper et al.
 7,571,756 B2 8/2009 Smith et al.
 7,617,858 B2 * 11/2009 Hoffmann E06B 9/323
 160/11
 7,617,859 B2 11/2009 Auger
 7,686,060 B2 * 3/2010 Anthony E06B 9/34
 160/116
 7,740,044 B2 6/2010 Gutierrez
 7,849,907 B2 12/2010 Jang
 7,857,033 B2 12/2010 Malausa
 D659,455 S * 5/2012 Marocco D6/575
 D659,456 S * 5/2012 Marocco D6/575
 8,186,412 B2 * 5/2012 Lin E06B 9/262
 160/108
 D711,156 S * 8/2014 Judkins D6/575
 8,820,386 B2 9/2014 Mullet et al.
 9,259,833 B2 2/2016 Bonini et al.
 2001/0001414 A1 5/2001 Colson et al.

2002/0189771 A1 12/2002 Colson et al.
 2003/0000652 A1 * 1/2003 Hwang E06B 9/388
 160/84.01
 2004/0074611 A1 4/2004 Colson et al.
 2004/0079492 A1 * 4/2004 Lin E06B 9/262
 160/84.01
 2004/0226663 A1 * 11/2004 Smith E06B 9/262
 160/84.05
 2005/0051281 A1 3/2005 Lai
 2005/0087309 A1 4/2005 Nien
 2005/0139329 A1 * 6/2005 Hoffmann E06B 9/80
 160/84.01
 2006/0027339 A1 2/2006 Hsu
 2006/0137833 A1 6/2006 Nichols et al.
 2007/0144686 A1 6/2007 Drew
 2008/0053626 A1 3/2008 Jarosinski et al.
 2008/0093030 A1 4/2008 Gutierrez
 2008/0149280 A1 6/2008 Smith et al.
 2008/0223532 A1 9/2008 Auger
 2011/0067820 A1 * 3/2011 Hsu E06B 9/262
 160/84.03
 2012/0118514 A1 5/2012 Hughes
 2012/0222824 A1 9/2012 Lin
 2012/0291964 A1 11/2012 Marocco
 2012/0291965 A1 11/2012 Marocco
 2013/0098564 A1 4/2013 Jang
 2013/0306250 A1 11/2013 Mullet et al.
 2014/0053989 A1 * 2/2014 Colson E06B 9/34
 160/84.04
 2014/0166218 A1 6/2014 Ng
 2014/0216666 A1 * 8/2014 Smith E06B 9/38
 160/84.04
 2014/0262066 A1 * 9/2014 Certain E06B 9/26
 160/84.02
 2014/0262068 A1 9/2014 Buccola, Jr. et al.
 2014/0262069 A1 9/2014 Drew et al.
 2014/0367053 A1 * 12/2014 Cha A47H 5/032
 160/84.01
 2014/0367054 A1 * 12/2014 Cha A47H 5/032
 160/84.01
 2015/0047792 A1 * 2/2015 Lukosiunas E06B 9/26
 160/84.05
 2015/0226001 A1 * 8/2015 Adams E06B 9/72
 160/84.02
 2015/0292261 A1 * 10/2015 Chou E06B 9/262
 160/138
 2015/0376941 A1 12/2015 Fujita et al.

FOREIGN PATENT DOCUMENTS

CA 2779772 A1 3/2013
 CA 2656981 C 10/2013
 CA 2915204 A1 12/2014
 DE 1093527 B 11/1960
 EP 1455048 A2 9/2004
 FR 1557062 A 2/1969
 GB 2182738 A 5/1987
 WO 2007038447 A2 4/2007

* cited by examiner

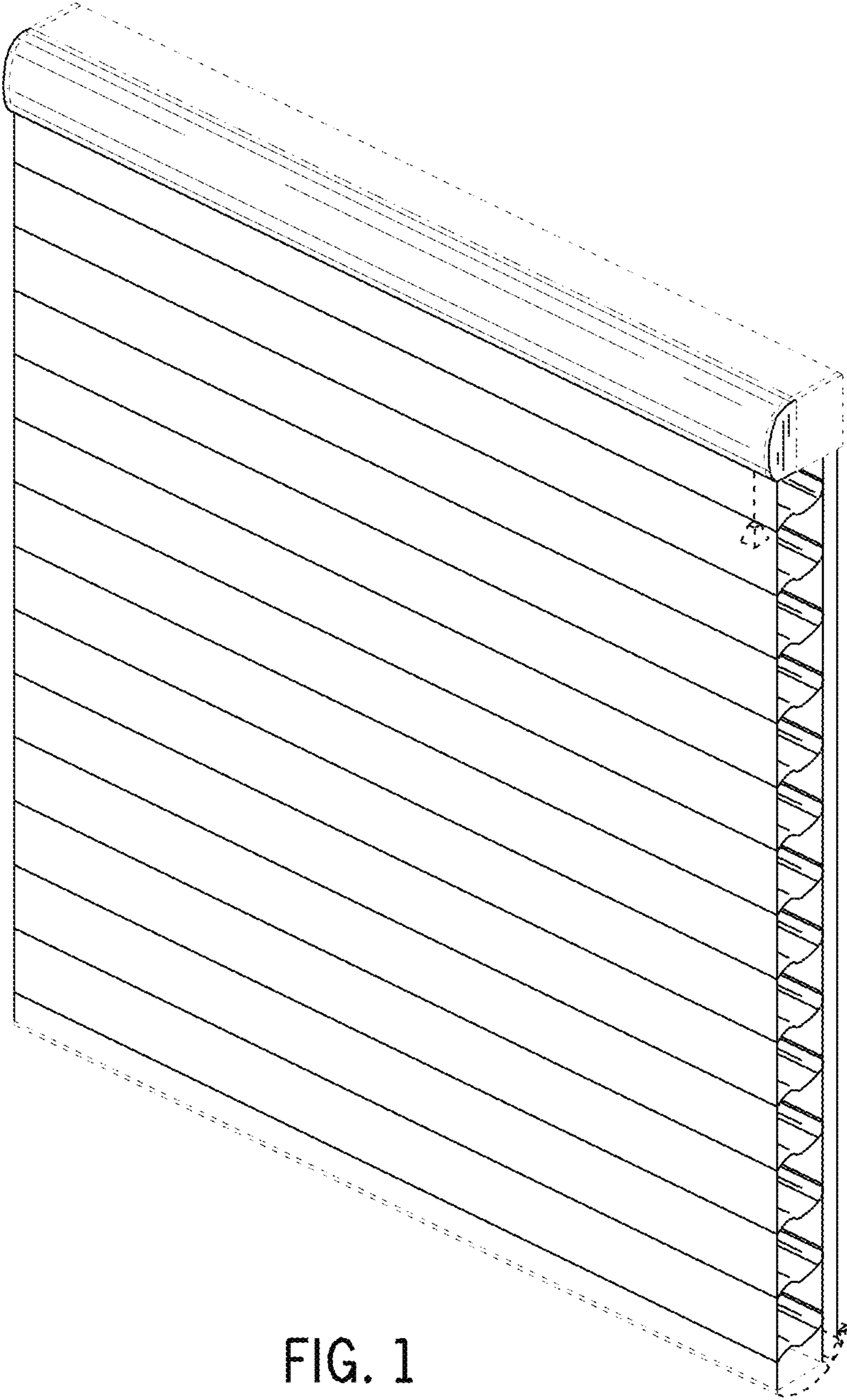


FIG. 1

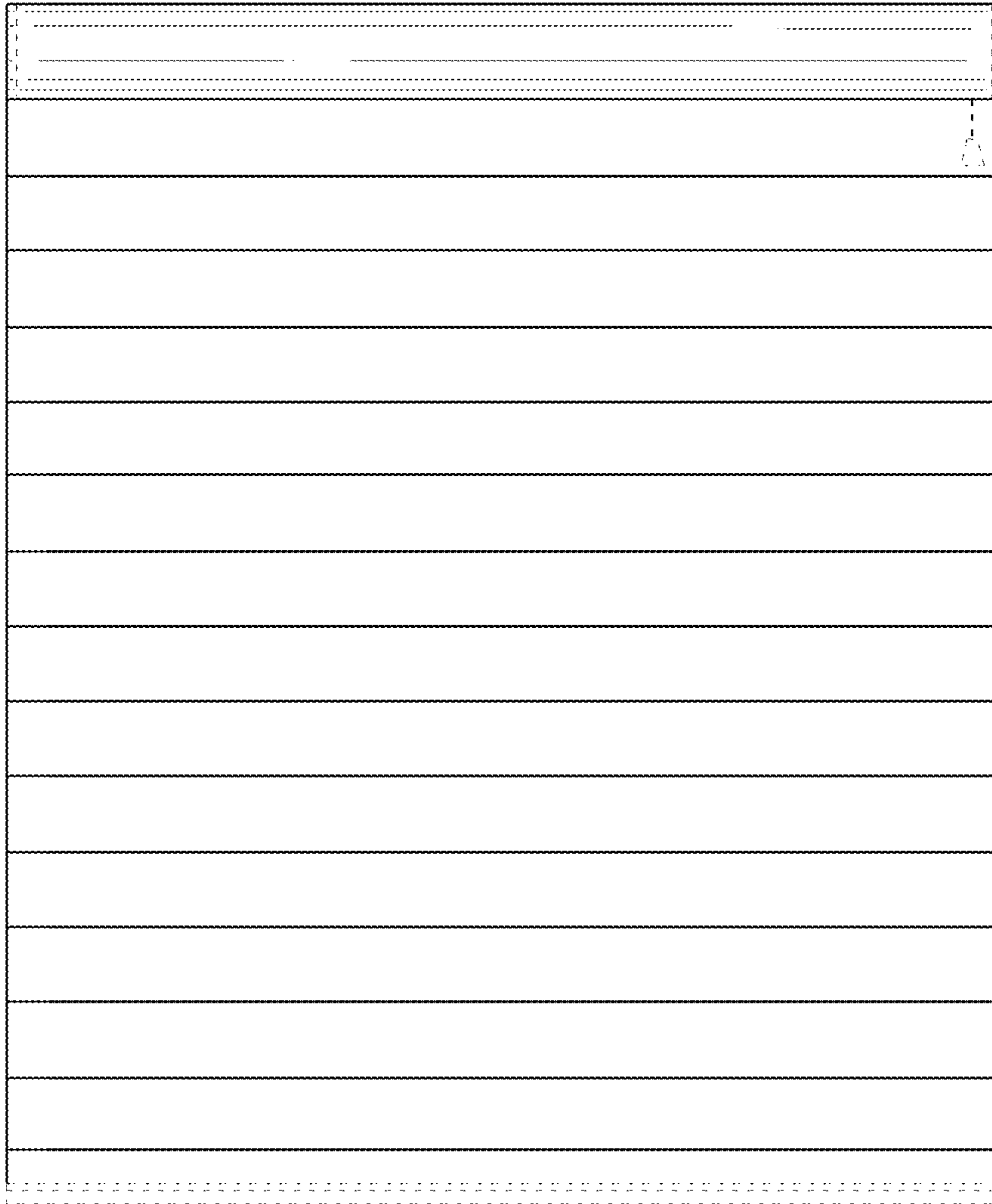


FIG. 2

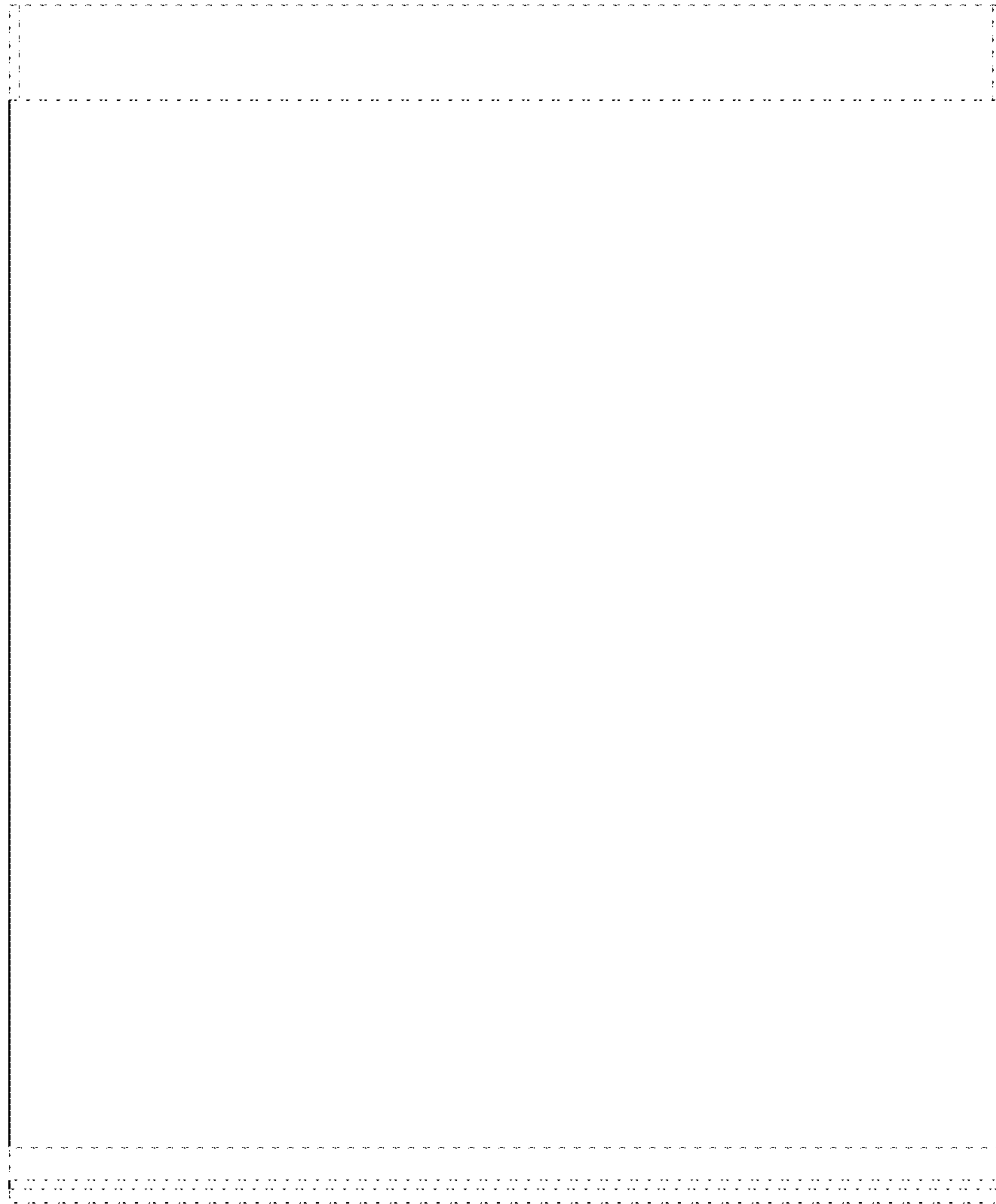


FIG. 3

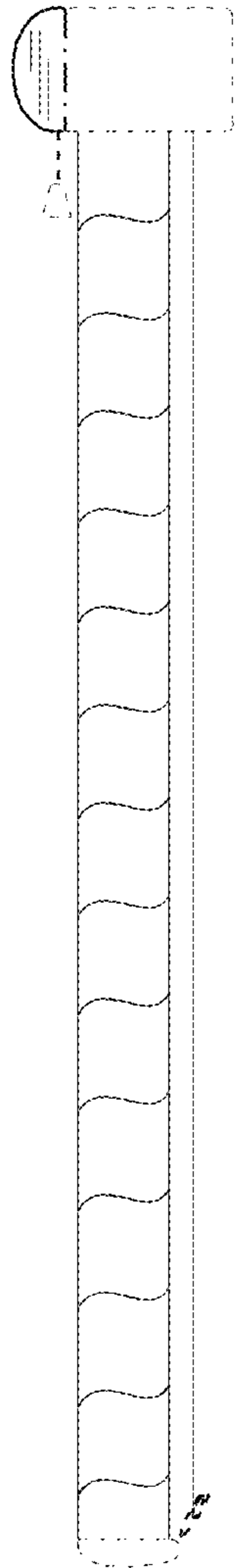


FIG. 4

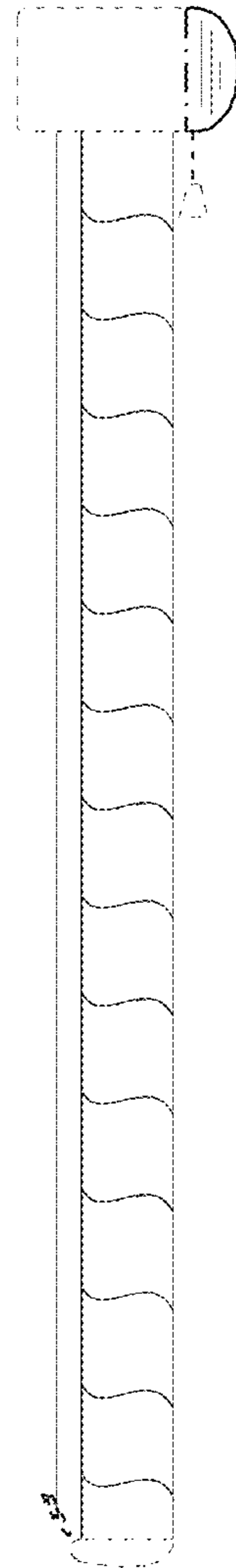


FIG. 5

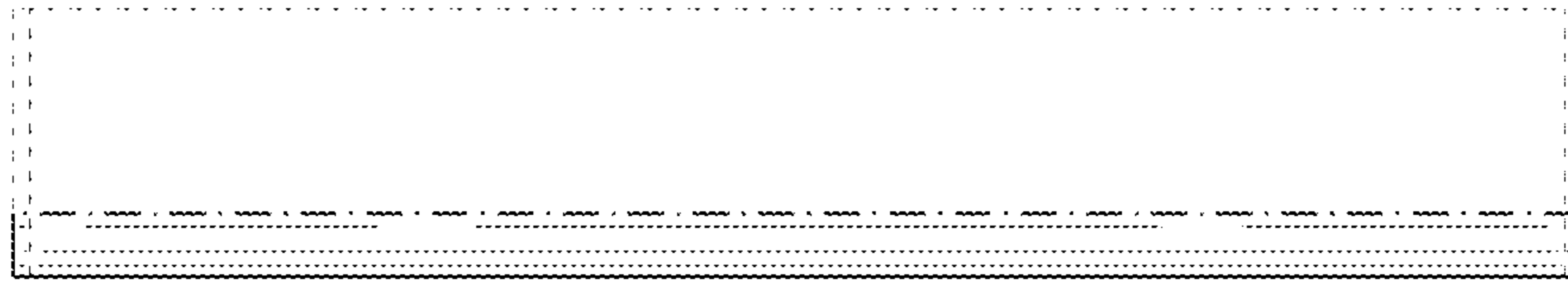


FIG. 6

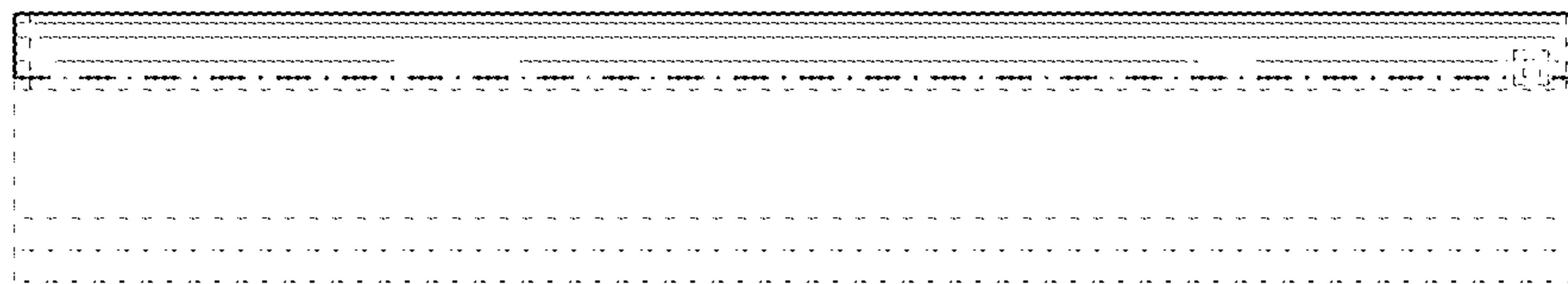


FIG. 7