



US00D764834S

(12) **United States Design Patent** (10) **Patent No.:** **US D764,834 S**  
**Citterio** (45) **Date of Patent:** **\*\* Aug. 30, 2016**

(54) **SHELF**  
(71) Applicant: **HANSGROHE SE**, Schiltach (DE)  
(72) Inventor: **Antonio Citterio**, Milan (IT)  
(73) Assignee: **Hansgrohe SE**, Schiltach (DE)  
(\*\*) Term: **14 Years**  
(21) Appl. No.: **29/491,884**  
(22) Filed: **May 27, 2014**

D546,611 S \* 7/2007 Bouroullec ..... D6/574  
D572,056 S \* 7/2008 McConnell ..... D6/574  
D598,228 S \* 8/2009 West ..... D6/574  
D690,533 S \* 10/2013 Majcher ..... D6/574  
D724,876 S \* 3/2015 Gokhale ..... D6/705

**FOREIGN PATENT DOCUMENTS**

EM 000324223-0003 4/2005  
EM 000324223-0004 4/2005  
EM 000887740-0006 2/2008  
EM 000887740-0009 2/2008  
EM 001200117-0001 3/2010  
EM 002013425-0006 3/2012  
EM 001336812-0007 7/2012

(30) **Foreign Application Priority Data**

Dec. 3, 2013 (EM) ..... 001391742-0008

(51) **LOC (10) Cl.** ..... **06-04**  
(52) **U.S. Cl.**  
USPC ..... **D6/574**

(58) **Field of Classification Search**  
USPC ..... D6/574, 320-324; D7/698; D2/672;  
D26/72; 108/28-29, 152; 211/13.1, 42,  
211/86.01, 88.01, 90.01, 90.03, 126.1, 134,  
211/153; 248/205.3, 235, 243, 247, 250  
CPC .. A47B 43/00; A47B 43/04; A47B 47/0066;  
A47B 47/04; A47B 63/00; A47B 69/00;  
A47B 71/00  
See application file for complete search history.

(56) **References Cited**

**U.S. PATENT DOCUMENTS**

D328,680 S \* 8/1992 Zapf ..... D6/707.19  
D383,339 S \* 9/1997 Grosfillex ..... D6/705.7  
D512,867 S \* 12/2005 Gates ..... D6/574  
D541,563 S \* 5/2007 LaBonia, Jr. .... D6/705

\* cited by examiner

*Primary Examiner* — Wan Laymon

*Assistant Examiner* — Mark Booker

(74) *Attorney, Agent, or Firm* — Lora J. Graentzdoerffer

(57) **CLAIM**

The ornamental design for a shelf, as shown and described.

**DESCRIPTION**

FIG. 1 is a perspective view of a shelf showing my design;  
FIG. 2 is a front elevational view;  
FIG. 3 is a rear elevational view;  
FIG. 4 is a left side elevational view;  
FIG. 5 is a right side elevational view;  
FIG. 6 is a top plan view; and,  
FIG. 7 is a bottom plan view.

The broken lines in the drawings represent unclaimed portions of the design and form no part of the claimed design.

**1 Claim, 7 Drawing Sheets**

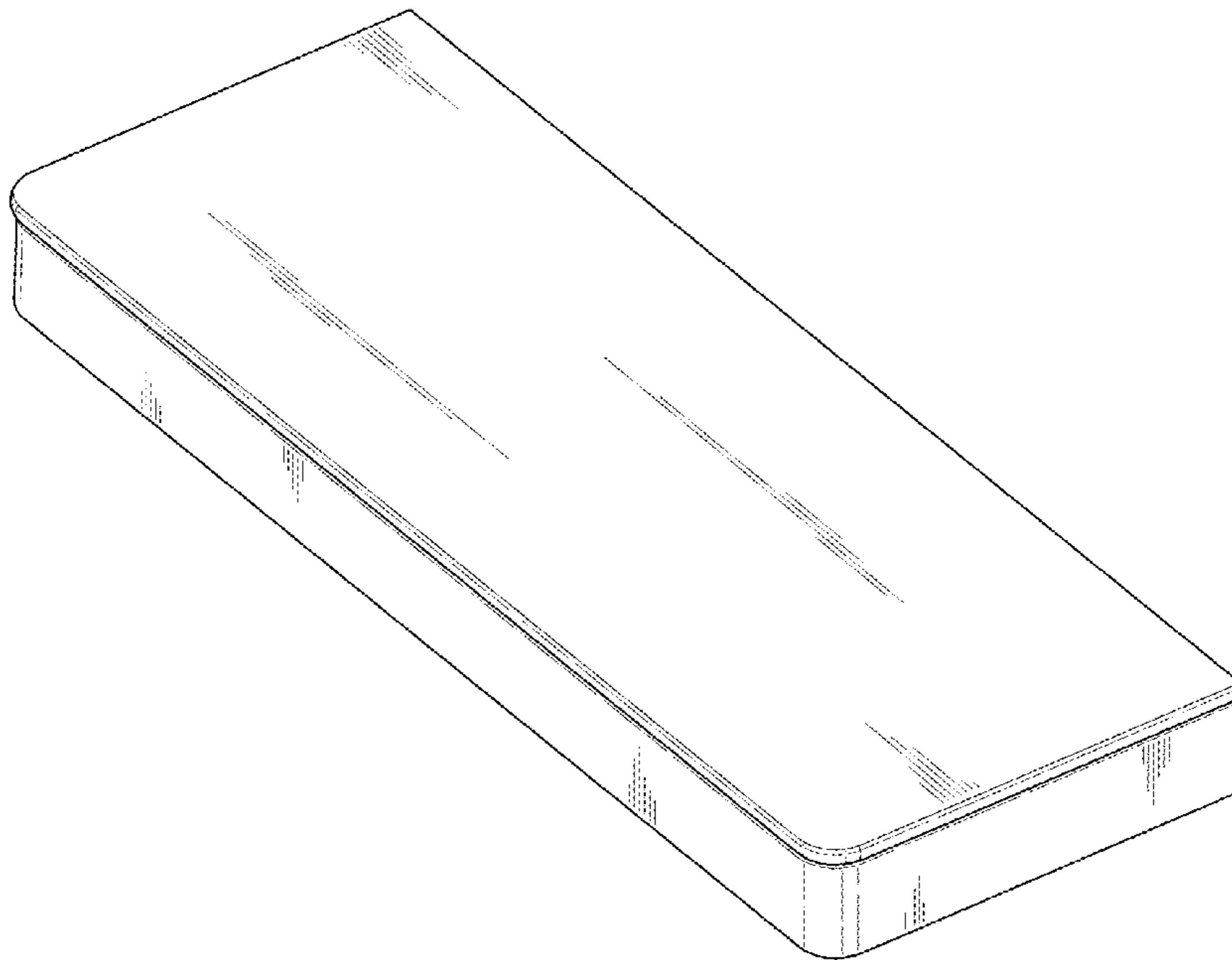


FIG. 1

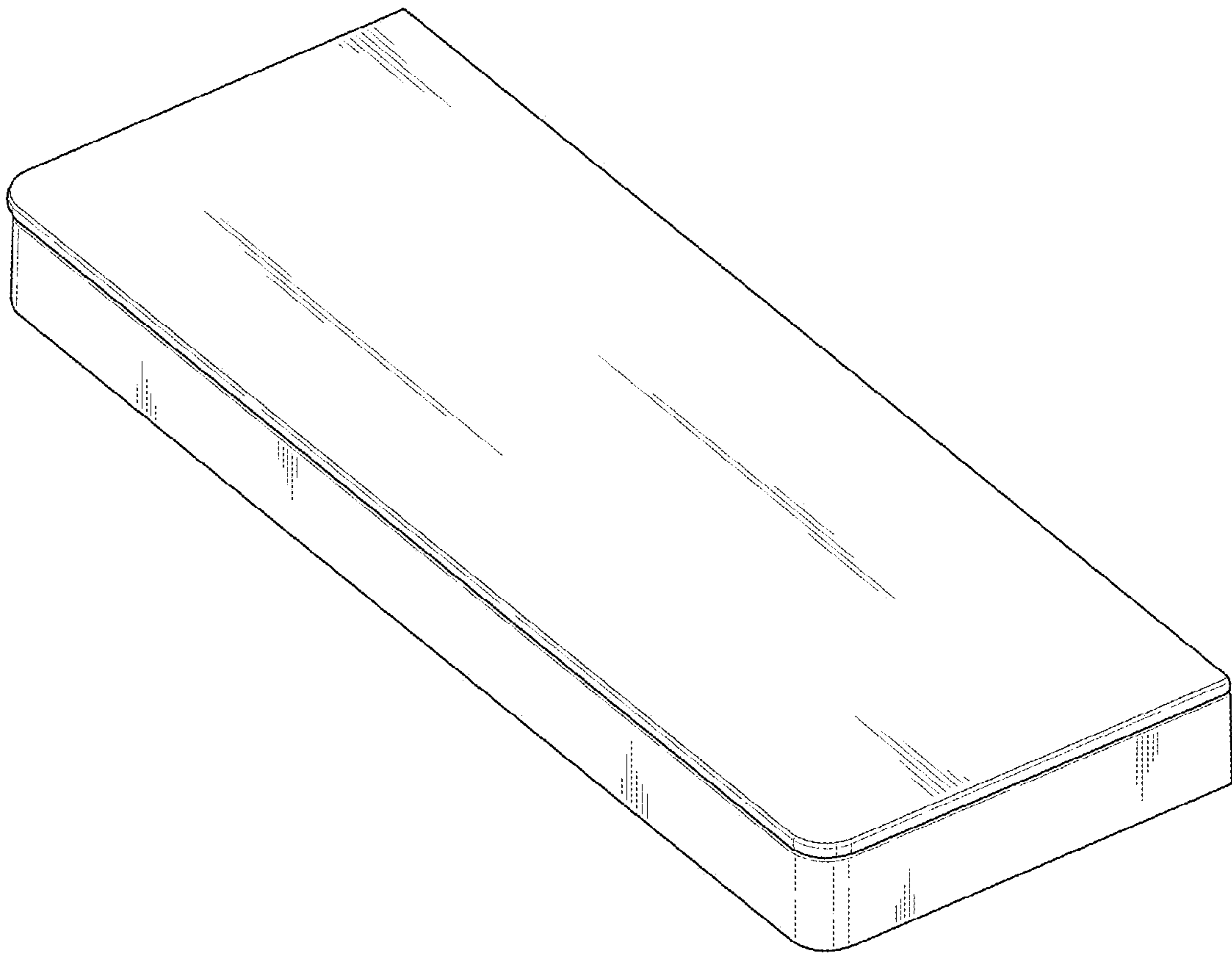


FIG. 2

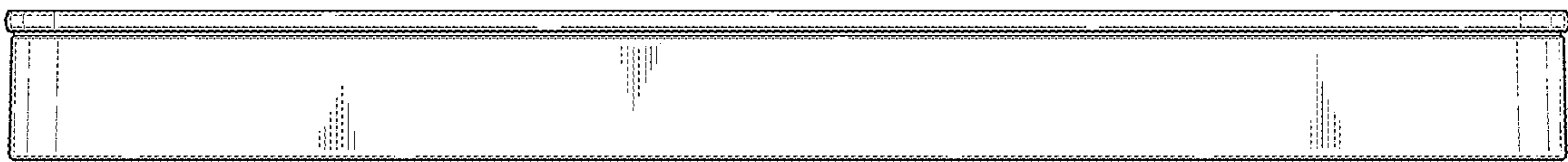


FIG. 3

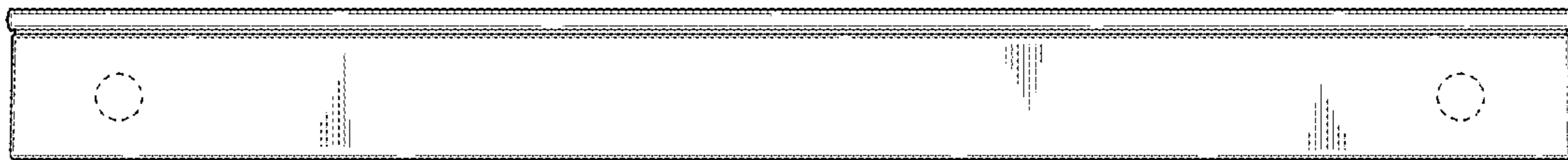


FIG. 4

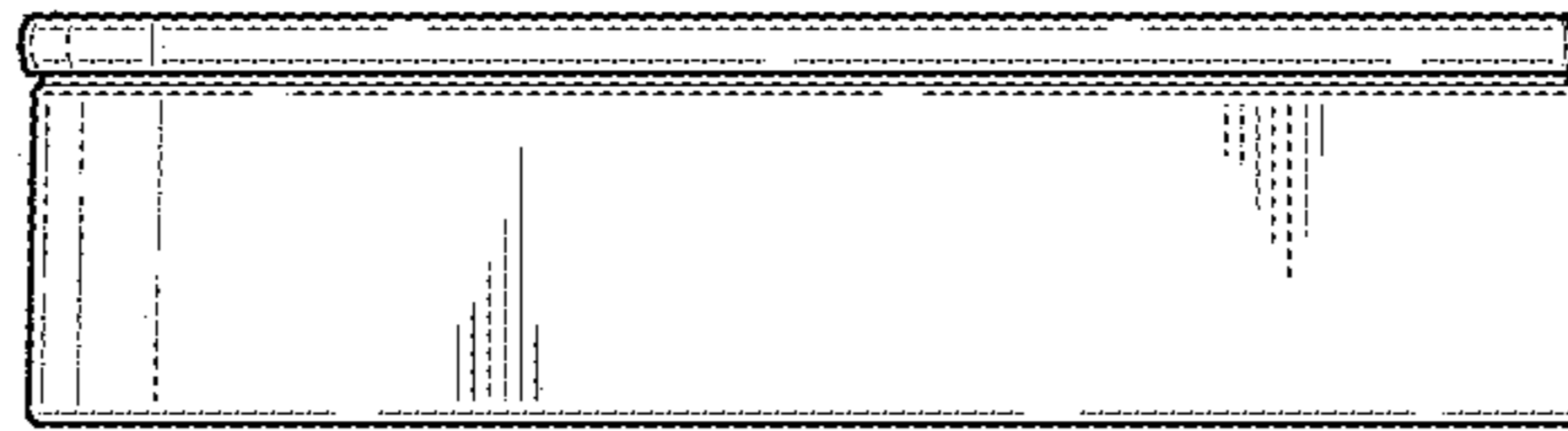


FIG. 5

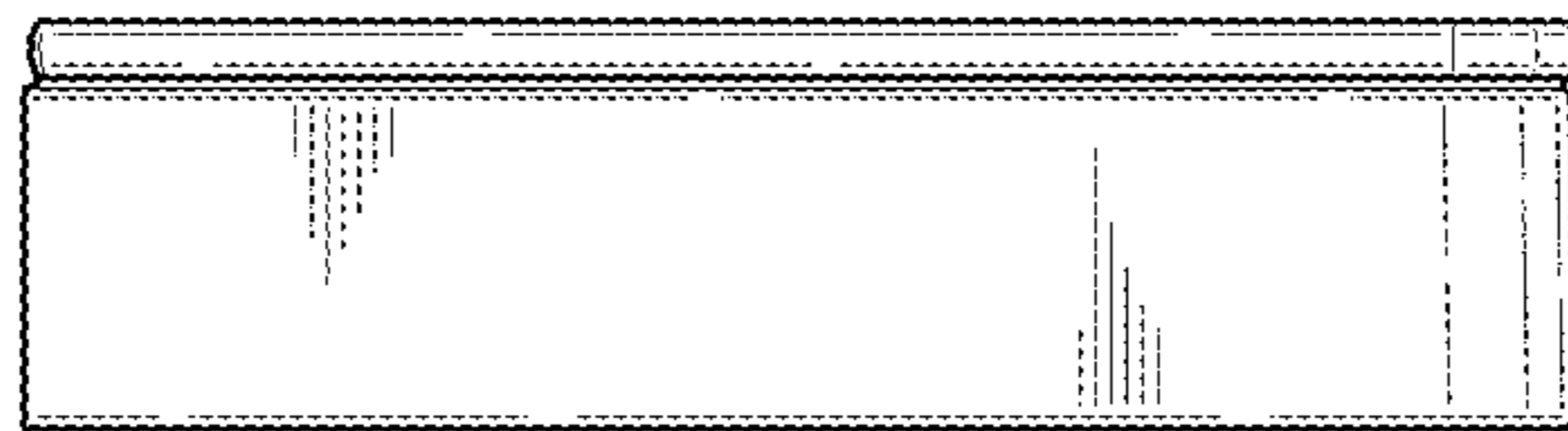


FIG. 6

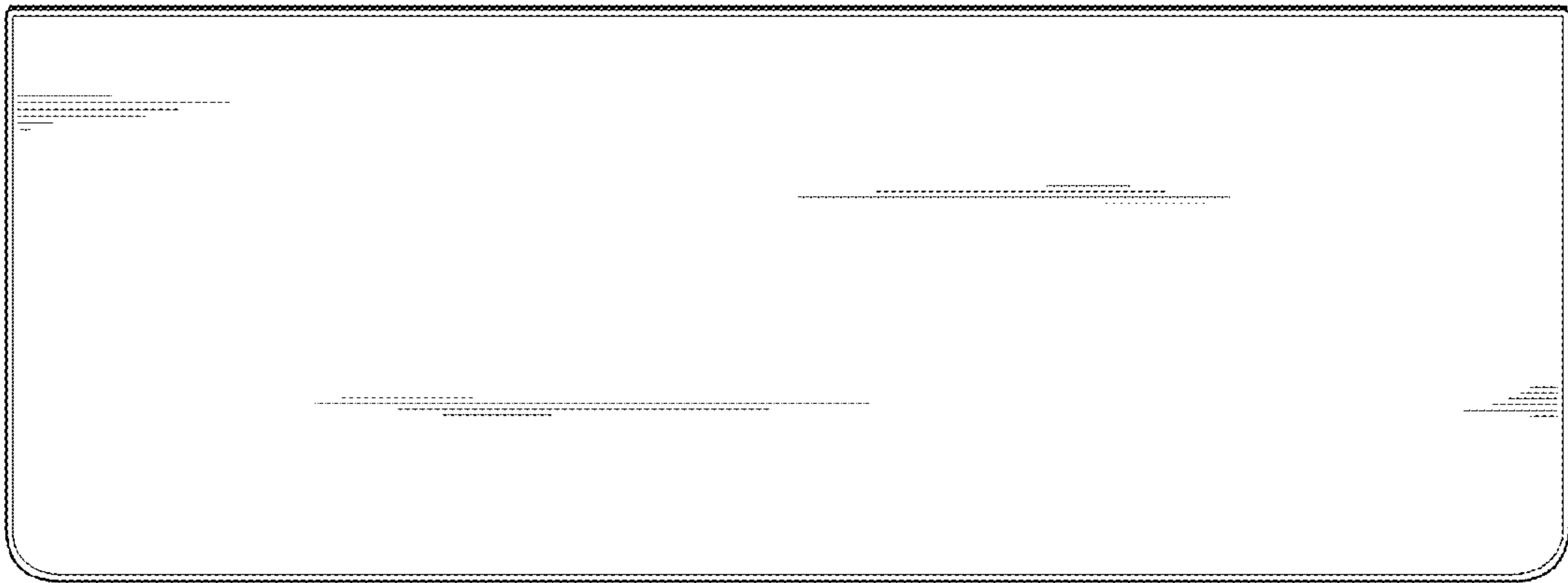


FIG. 7

