

US00D764833S

(12) **United States Design Patent**  
**Citterio**

(10) **Patent No.:** **US D764,833 S**

(45) **Date of Patent:** **\*\* Aug. 30, 2016**

(54) **TOWEL BAR**

(71) Applicant: **HANSGROHE SE**, Schiltach (DE)

(72) Inventor: **Antonio Citterio**, Milan (IT)

(73) Assignee: **Hansgrohe SE**, Schiltach (DE)

(\*\*) Term: **14 Years**

(21) Appl. No.: **29/492,165**

(22) Filed: **May 29, 2014**

(30) **Foreign Application Priority Data**

Dec. 3, 2013 (EM) ..... 001391742-0002

(51) **LOC (10) Cl.** ..... **06-04**

(52) **U.S. Cl.**  
USPC ..... **D6/549**

(58) **Field of Classification Search**  
USPC ..... D6/546-550, 512-525; D8/300,  
D8/315-321, 354, 363, 373, 380;  
108/28-29; 211/13.1, 16, 85.5, 86.01,  
211/87.01, 88.04, 100, 105.1, 105.2, 106,  
211/113, 123, 181.1, 182-183; 248/49,  
248/175, 176.1, 200, 201, 205.1, 251, 302,  
248/309.1, 315; 242/570, 590, 595-598;  
D25/45

CPC ..... A47K 10/3836; A47K 10/38  
See application file for complete search history.

(56) **References Cited**

**U.S. PATENT DOCUMENTS**

- 4,372,449 A \* 2/1983 Fink ..... D06F 57/12  
211/106
- 4,465,198 A \* 8/1984 Martin ..... A47K 10/04  
211/105.3
- 4,922,576 A \* 5/1990 Weidner ..... E05B 1/0015  
16/413
- D338,608 S \* 8/1993 Martin ..... D8/302
- D340,377 S \* 10/1993 Brazis ..... D6/549
- D364,768 S \* 12/1995 Moon ..... D6/549

- 6,024,231 A \* 2/2000 Bates ..... A47K 10/04  
211/105.1
- D449,215 S \* 10/2001 Bertani ..... D8/316
- D506,377 S \* 6/2005 Marzolf ..... D8/300
- D530,590 S \* 10/2006 Singtoroj ..... D8/302
- D540,598 S 4/2007 Massaud
- D551,056 S \* 9/2007 Ricereto ..... D8/317
- D568,100 S \* 5/2008 Jeon ..... D7/402
- D569,704 S \* 5/2008 Ricereto ..... D8/315

(Continued)

**FOREIGN PATENT DOCUMENTS**

EM 001336812-0002 7/2012

**OTHER PUBLICATIONS**

Hansgrohe website, Axor Universal Towel Bar/Rail long, May 19, 2016, [http://www.hansgrohe-usa.com/article/detail-axor-universal-accessories-axor-universal-towel-bar-rail-long-42833000.html?fsid=&pageid=&q=tower%20bar.\\*](http://www.hansgrohe-usa.com/article/detail-axor-universal-accessories-axor-universal-towel-bar-rail-long-42833000.html?fsid=&pageid=&q=tower%20bar.*)

(Continued)

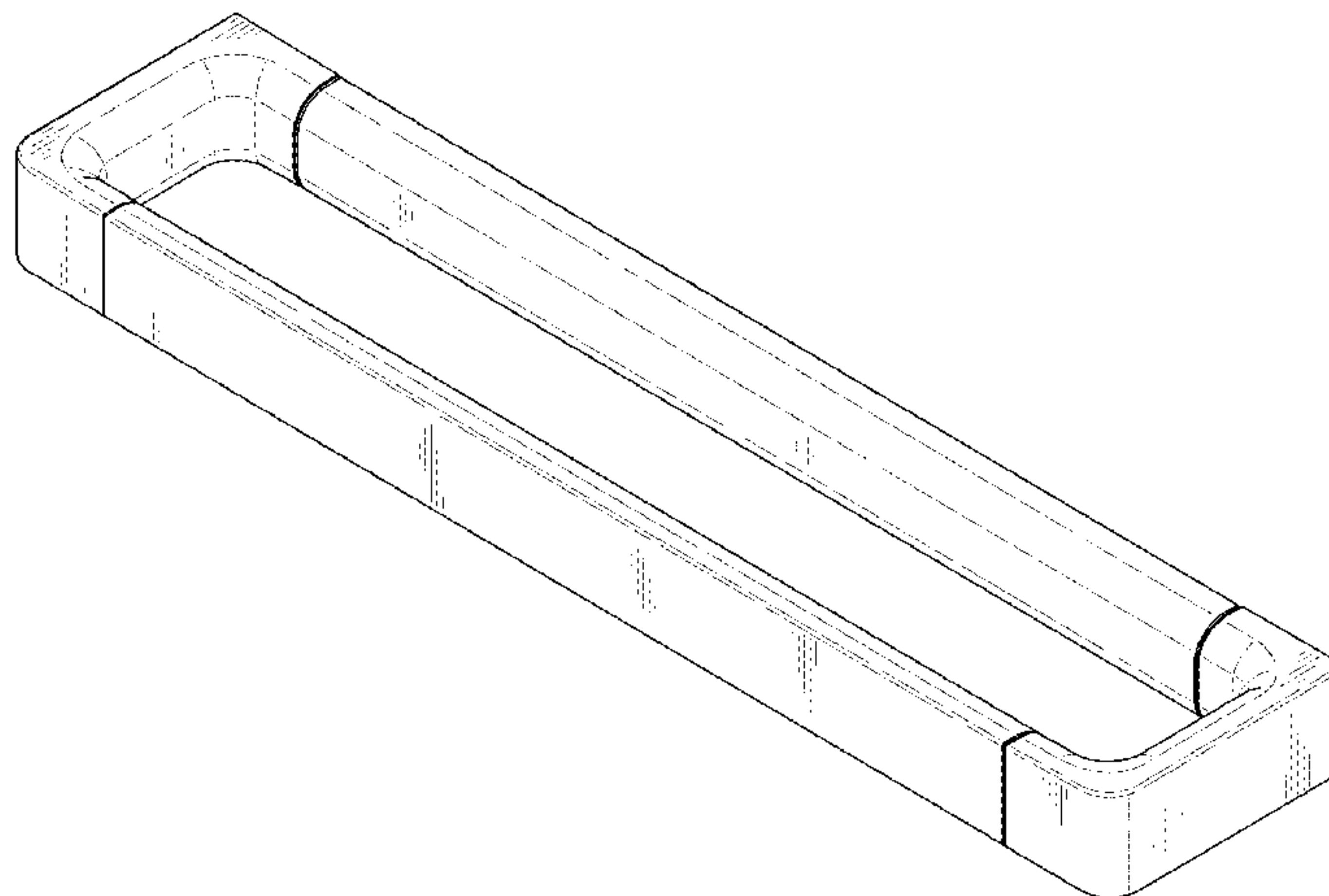
*Primary Examiner* — David Muller  
*Assistant Examiner* — Nathan Johnston  
(74) *Attorney, Agent, or Firm* — Lora J. Graentzdoerffer

(57) **CLAIM**  
The ornamental design for a towel bar, as shown and described.

**DESCRIPTION**

FIG. 1 is a perspective view of a towel bar showing my new design;  
FIG. 2 is a front elevation view;  
FIG. 3 is a rear elevation view;  
FIG. 4 is a left side elevation view;  
FIG. 5 is a right side elevation view;  
FIG. 6 is a top plan view; and,  
FIG. 7 is a bottom plan view.  
The broken lines in the drawings represent unclaimed portions of the design and form no part of the claimed design.

**1 Claim, 7 Drawing Sheets**



(56)

**References Cited**

U.S. PATENT DOCUMENTS

D587,067 S \* 2/2009 Kim ..... D7/402  
D588,172 S \* 3/2009 Yang ..... D15/89  
D606,839 S 12/2009 Urquiola  
D610,173 S \* 2/2010 Kim ..... D15/89  
D679,985 S \* 4/2013 Ramsland ..... D8/317  
8,479,931 B1 \* 7/2013 Richards ..... A47H 1/022  
211/105.2  
8,550,263 B2 \* 10/2013 Martin ..... A47K 1/08  
211/105.3  
D719,008 S \* 12/2014 Han ..... D8/315  
D730,148 S \* 5/2015 Magnusson ..... D8/313

D732,249 S \* 6/2015 Roberson ..... D32/3  
D736,055 S \* 8/2015 Funnell, II ..... D8/315  
2003/0173319 A1 \* 9/2003 Nei ..... A47H 1/022  
211/105.2  
2009/0308995 A1 \* 12/2009 Kuo ..... A47K 10/10  
248/231.91  
2010/0224743 A1 \* 9/2010 Carpenter ..... F16M 13/00  
248/176.1

OTHER PUBLICATIONS

Brochure—AGUABLU, 3 pgs., Zucchetti Rubinetteria S.p. A., Gozzano, Italy (at least as early as Sep. 30, 2006).

\* cited by examiner

FIG. 1

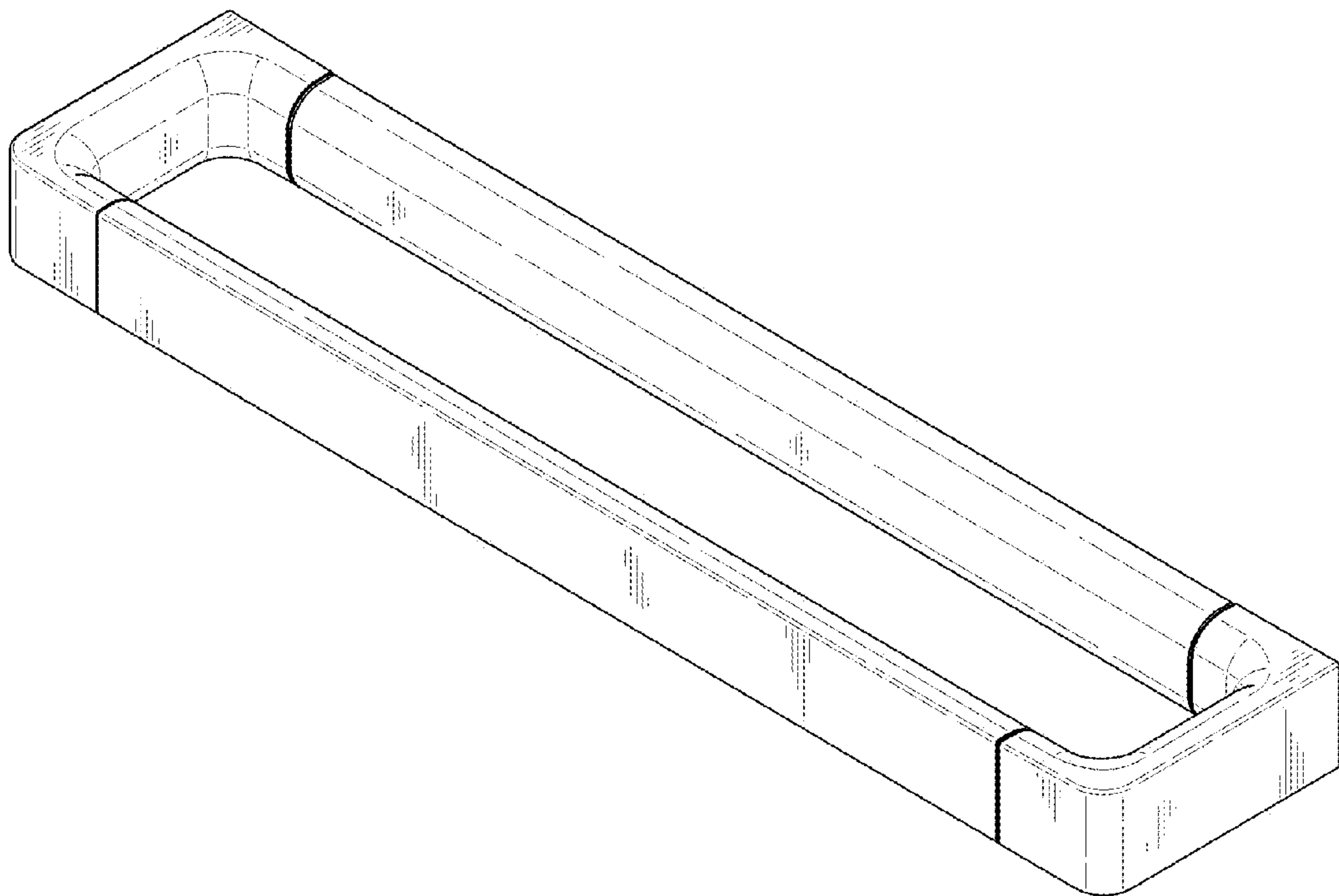


FIG. 2



FIG. 3



FIG. 4



FIG. 5

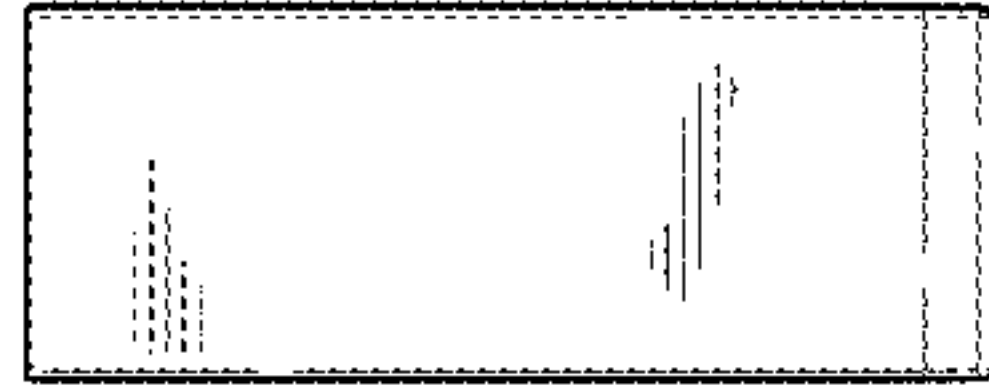


FIG. 6

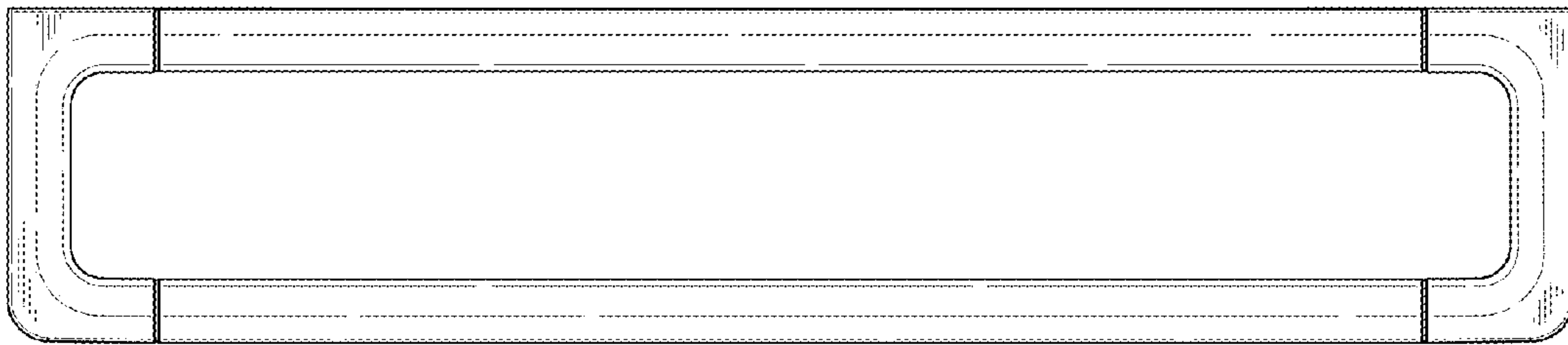




FIG. 7

