

US00D764830S

(12) **United States Design Patent** (10) **Patent No.:** **US D764,830 S**
Rancatore, Jr. (45) **Date of Patent:** **** Aug. 30, 2016**

(54) **SQUEEZER FOR FRANGIBLE CONTAINER**

(71) Applicant: **Paul Rancatore, Jr.**, Slidell, LA (US)

(72) Inventor: **Paul Rancatore, Jr.**, Slidell, LA (US)

(**) Term: **14 Years**

(21) Appl. No.: **29/500,229**

(22) Filed: **Aug. 22, 2014**

(51) **LOC (10) Cl.** **23-02**

(52) **U.S. Cl.**
USPC **D6/541**

(58) **Field of Classification Search**
USPC D6/541; D11/78.1; D3/215, 247;
40/630, 633; D19/26; 244/222;
D8/395; 24/60, 485, 563, 555;
D28/21-34, 39-43; 132/101, 126,
132/128-131, 144, 148, 219, 275-284
CPC Y10T 29/49826; A61B 17/068; A61B
17/07207; A61B 17/0643; A61B 17/072
See application file for complete search history.

(56) **References Cited**

U.S. PATENT DOCUMENTS

- 1,992,442 A * 2/1935 Revelle B65D 35/565
222/105
- 2,759,636 A 8/1956 Albert et al.
- 3,211,341 A 10/1965 Bailey
- D204,050 S * 3/1966 Scott D6/541
- 3,281,016 A 10/1966 Thompson
- 3,675,822 A 7/1972 Casali et al.
- 4,565,303 A 1/1986 Gilbertson
- D312,773 S * 12/1990 Salinas D16/336
- 5,145,093 A 9/1992 Zeller
- D344,671 S * 3/1994 Schaumburg D8/373
- 5,322,194 A 6/1994 Roberts
- D348,370 S * 7/1994 Yarmunilert D6/541
- D349,041 S * 7/1994 Wical D11/164
- D363,453 S * 10/1995 Herdt D11/78.1
- 5,480,066 A 1/1996 Blum
- D384,591 S * 10/1997 Richards D11/78.1

- 5,897,030 A 4/1999 Stangle
- D453,294 S * 2/2002 Bitzer D8/395
- D523,330 S * 6/2006 Mattesky D8/395
- D530,192 S * 10/2006 Becerra D8/395
- D581,311 S * 11/2008 Cornett D11/78.1
- D585,156 S * 1/2009 Hsu D28/42
- D605,814 S * 12/2009 Hsu D28/42
- D623,048 S * 9/2010 Moy D8/395
- D631,058 S * 1/2011 Chin D14/480.7
- D636,293 S * 4/2011 Dolce D11/222
- 8,033,428 B1 10/2011 McEwin
- D677,193 S * 3/2013 MacDonald D11/78.1
- D710,741 S * 8/2014 Hirschorn D11/78.1
- D715,686 S * 10/2014 Crafton D11/202

(Continued)

OTHER PUBLICATIONS

Youtube.com, Paul Rancatore, Jr.—Squeezer for Frangible Container video, Oct. 30, 2014, <https://www.youtube.com/watch?v=rjGKHjc9IIM>.*

(Continued)

Primary Examiner — David Muller
Assistant Examiner — Nathan Johnston
(74) *Attorney, Agent, or Firm* — Robert C. Montgomery;
Montgomery Patent & Design

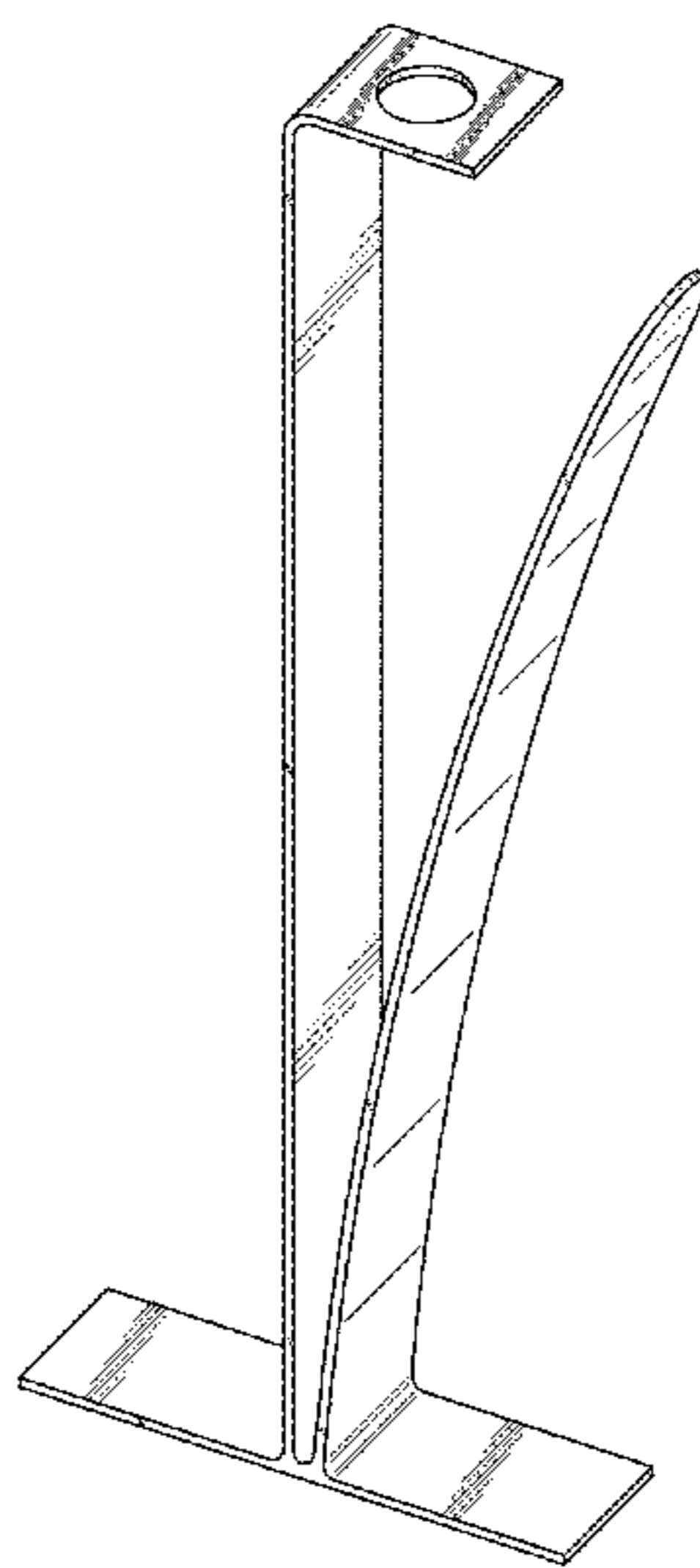
(57) **CLAIM**

The ornamental design for a squeezer for a frangible container, as shown and described.

DESCRIPTION

FIG. 1 is a perspective front view of the squeezer for a frangible container, showing my new design;
FIG. 2 is a front elevation view thereof;
FIG. 3 is a rear elevation view thereof;
FIG. 4 is a right side elevation view; the left side elevation view being a mirror image thereof;
FIG. 5 is a top plan view thereof; and,
FIG. 6 is a bottom plan view thereof.

1 Claim, 5 Drawing Sheets



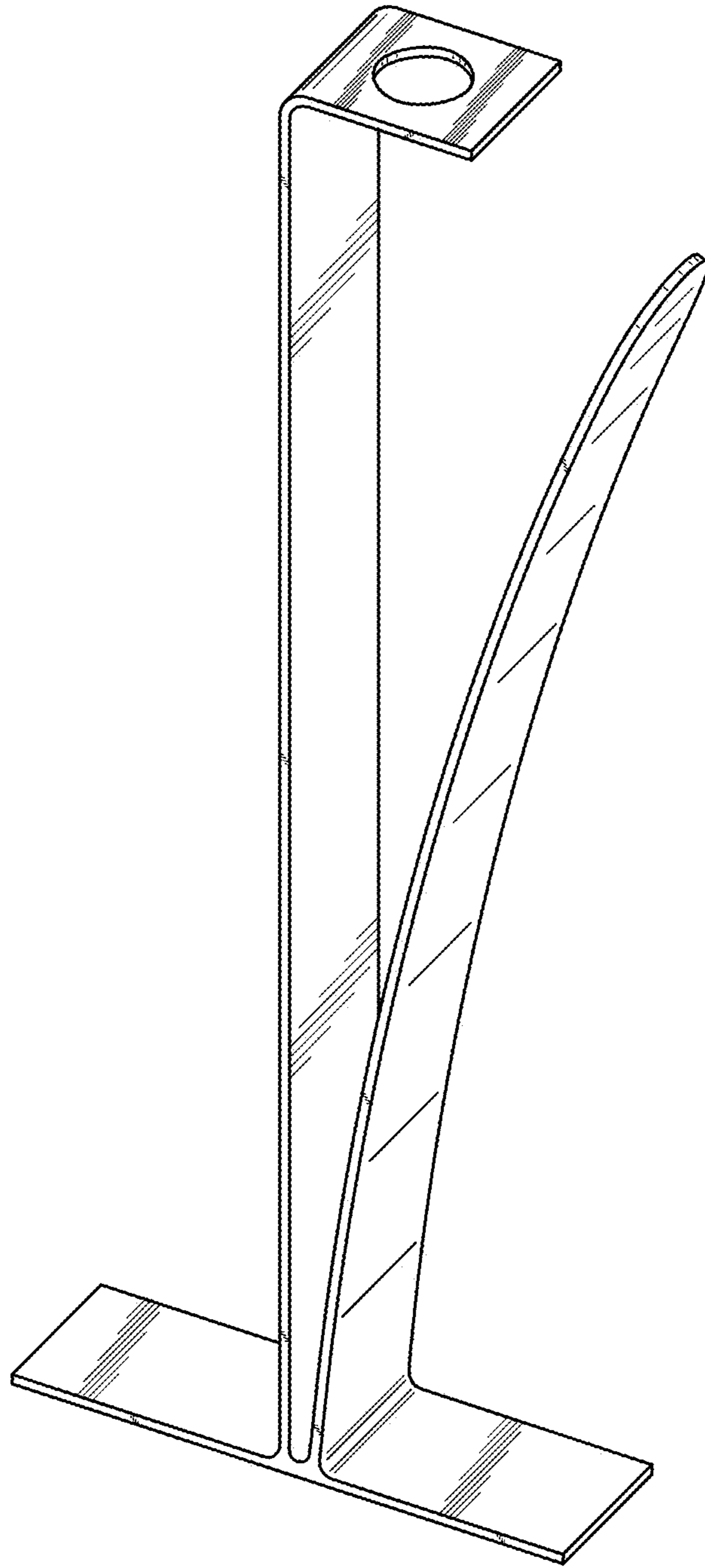


Fig. 1

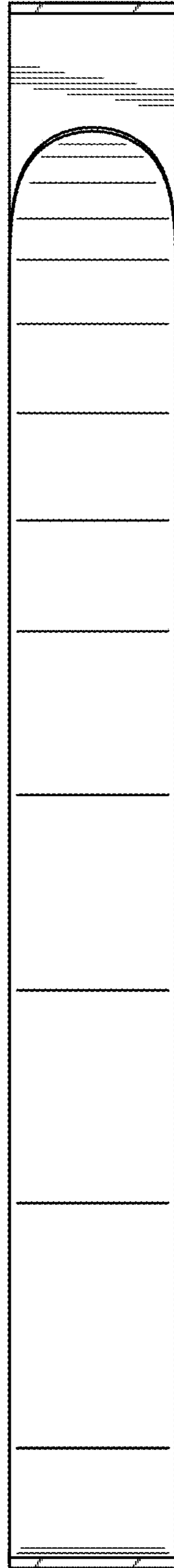


Fig. 2

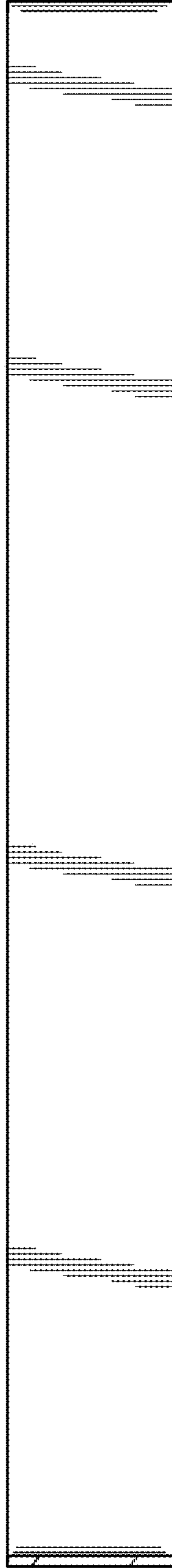


Fig. 3

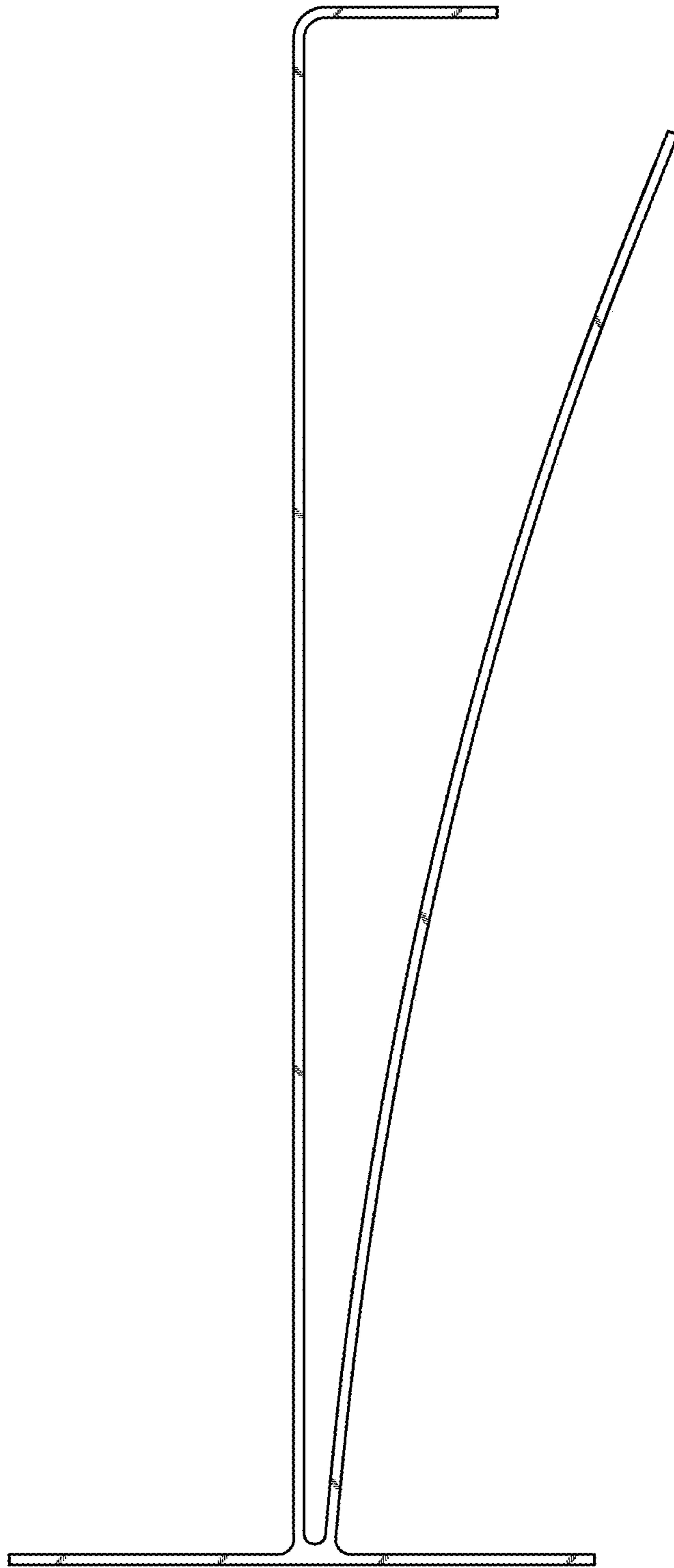


Fig. 4

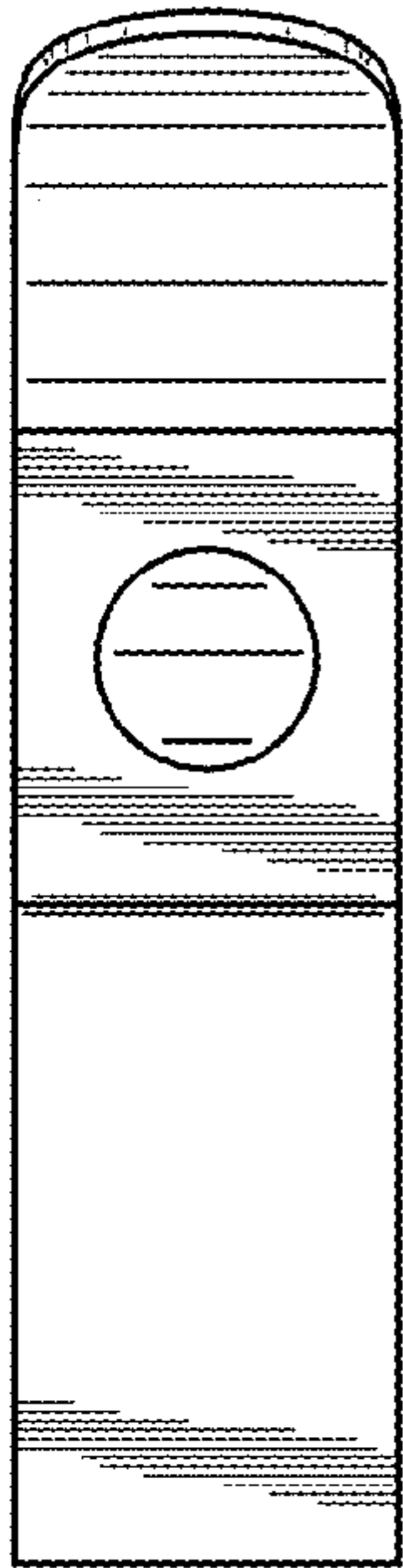


Fig. 5

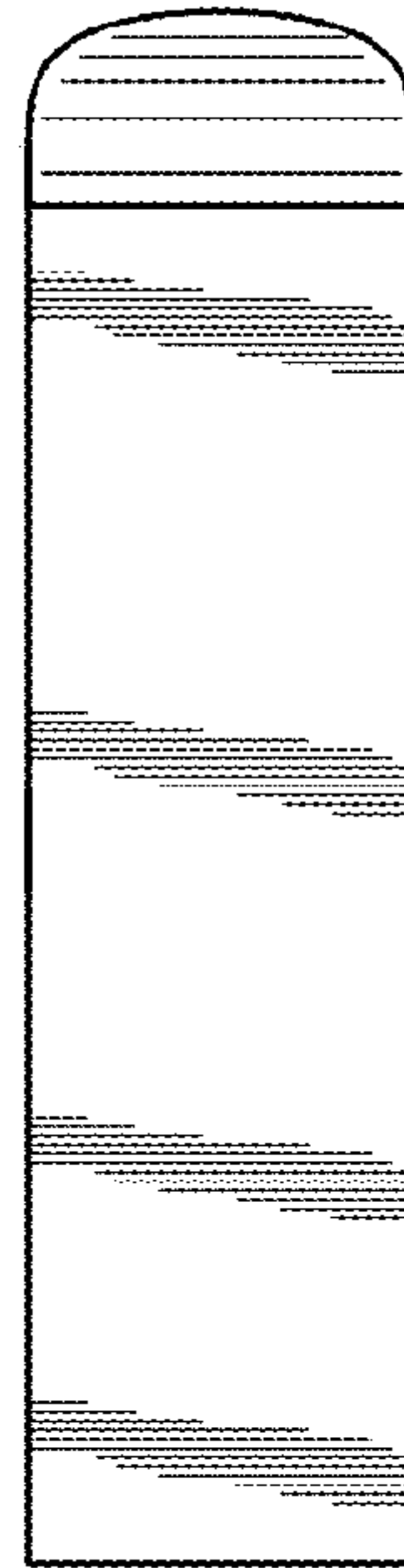


Fig. 6