

US00D764829S

(12) **United States Design Patent**
Citterio

(10) **Patent No.:** **US D764,829 S**

(45) **Date of Patent:** **** Aug. 30, 2016**

(54) **BATHROOM DISH**
(71) Applicant: **HANSGROHE SE**, Schiltach (DE)
(72) Inventor: **Antonio Citterio**, Milan (IT)
(73) Assignee: **Hansgrohe SE**, Schiltach (DE)
(**) Term: **14 Years**

2,722,719 A * 11/1955 Altstadter B26D 3/006
206/523
D341,971 S * 12/1993 Corbin D6/536
D345,067 S * 3/1994 Shafer D6/536
D612,180 S * 3/2010 Mayer D6/524
D636,200 S * 4/2011 Yang D6/536
D704,953 S * 5/2014 Reitze D6/536

(21) Appl. No.: **29/491,881**
(22) Filed: **May 27, 2014**

FOREIGN PATENT DOCUMENTS

EM 001007314-0007 9/2008

* cited by examiner

Primary Examiner — Wan Laymon

Assistant Examiner — Mark Booker

(74) *Attorney, Agent, or Firm* — Lora J. Graentzdoerffer

(30) **Foreign Application Priority Data**

Dec. 3, 2013 (EM) 001391742-0007

(51) **LOC (10) Cl.** **23-02**

(52) **U.S. Cl.**
USPC **D6/532**

(58) **Field of Classification Search**
USPC D6/532, 531, 527, 534, 535, 536-540;
D28/76; 4/628, 654, 656; 206/77.1,
206/557; 211/85.12, 88.01, 134; 248/309.1,
248/311.2
CPC A47K 5/02; A47K 1/08; A47K 5/00;
A61Q 19/00; B65D 83/00
See application file for complete search history.

(57) **CLAIM**

The ornamental design for a bathroom dish, as shown and described.

(56) **References Cited**

U.S. PATENT DOCUMENTS

D53,556 S * 7/1919 Baker D6/540
D167,893 S * 10/1952 Hallward D6/535

DESCRIPTION

FIG. 1 is a perspective view of a bathroom dish showing my design;
FIG. 2 is a front elevational view;
FIG. 3 is a rear elevational view;
FIG. 4 is a left side elevational view;
FIG. 5 is a right side elevational view;
FIG. 6 is a top plan view; and,
FIG. 7 is a bottom plan view.

The broken lines in the drawings represent unclaimed portions of the design and form no part of the claimed design.

1 Claim, 7 Drawing Sheets

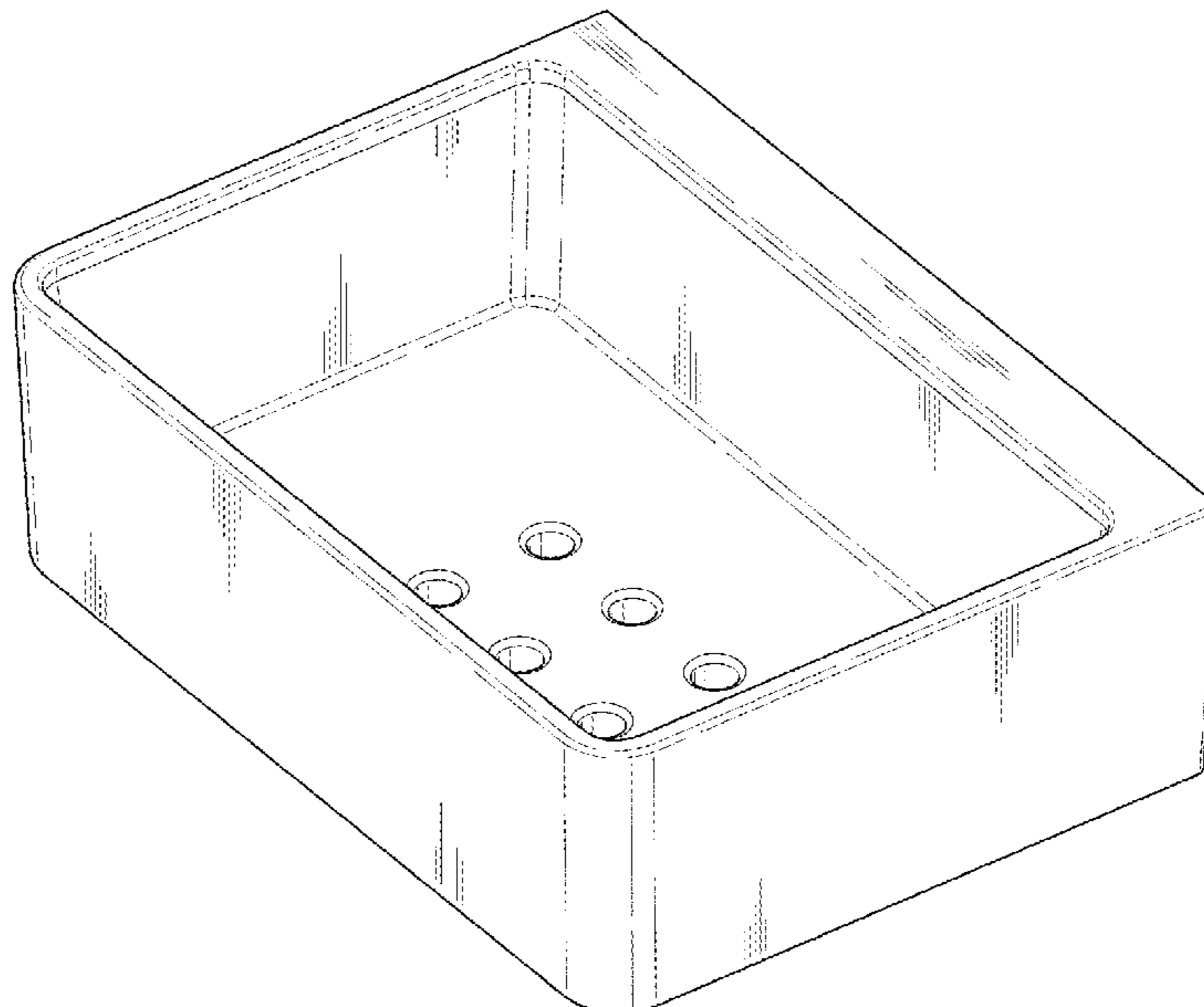


FIG. 1

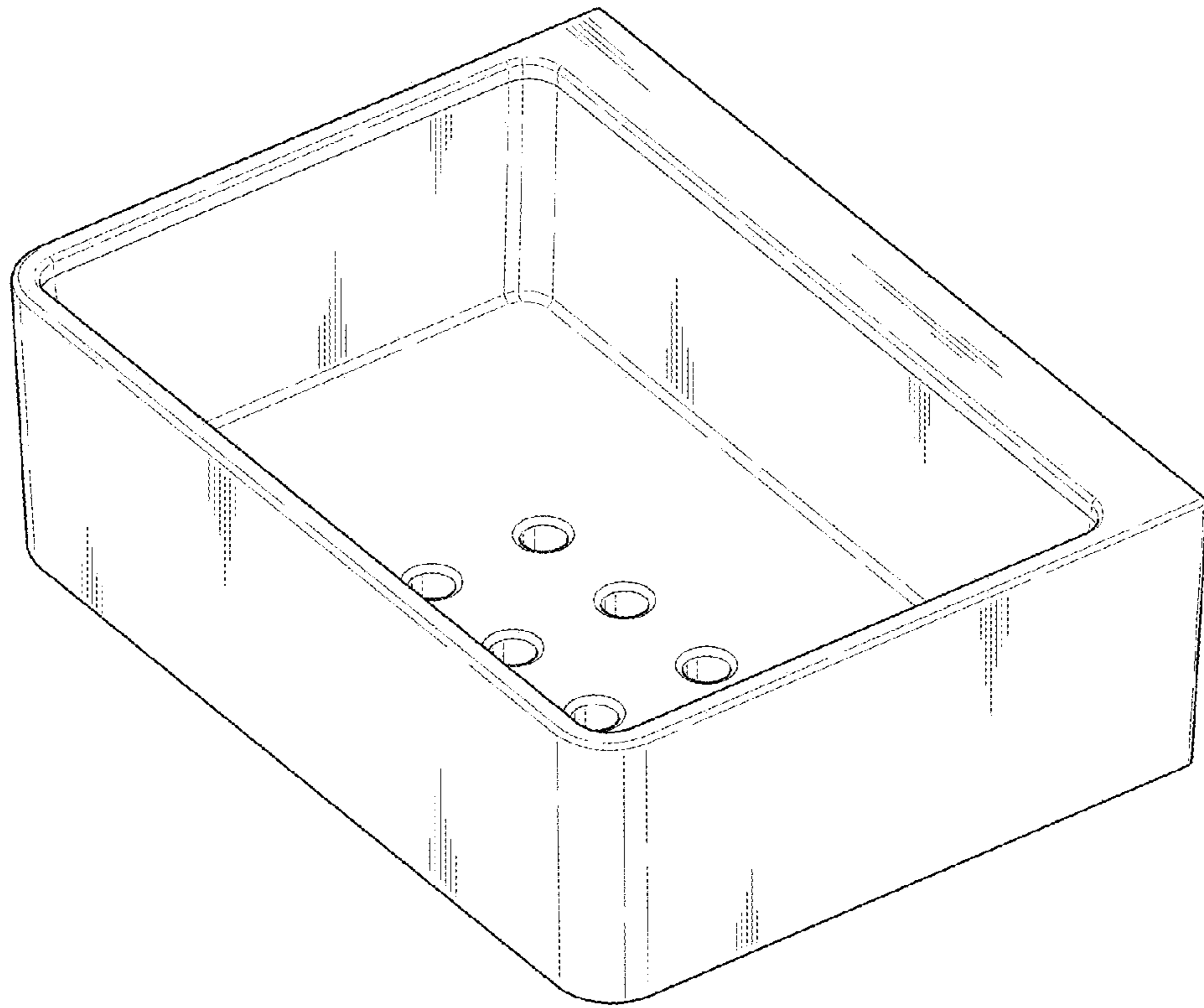


FIG. 2

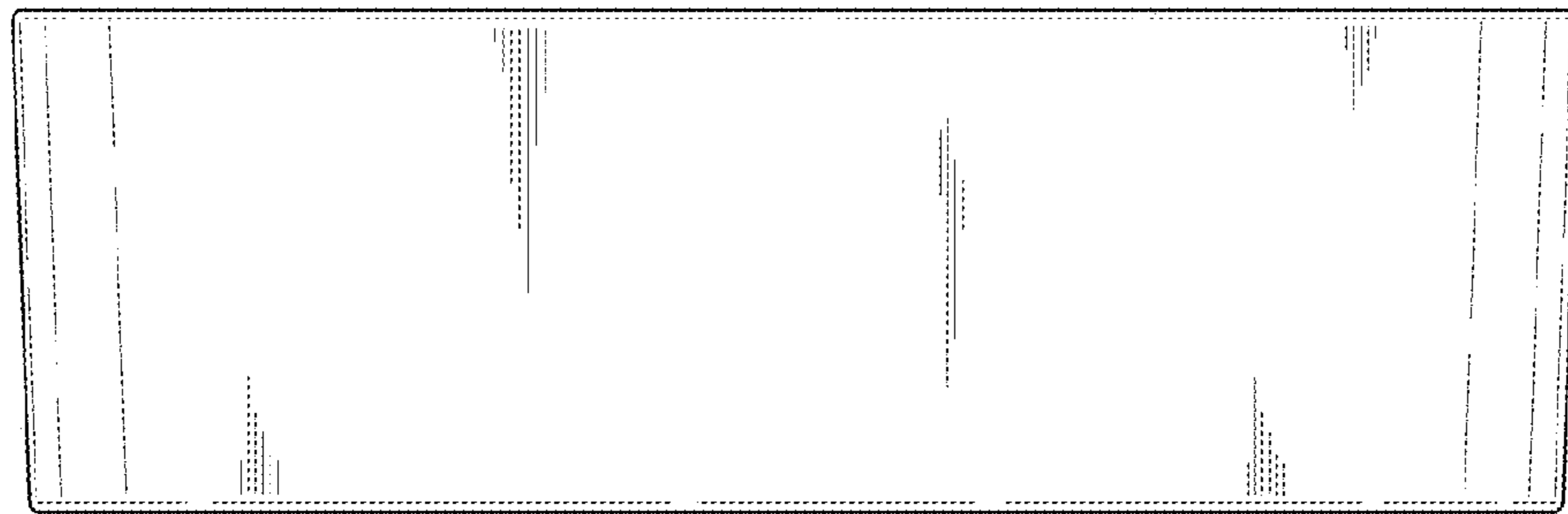


FIG. 3

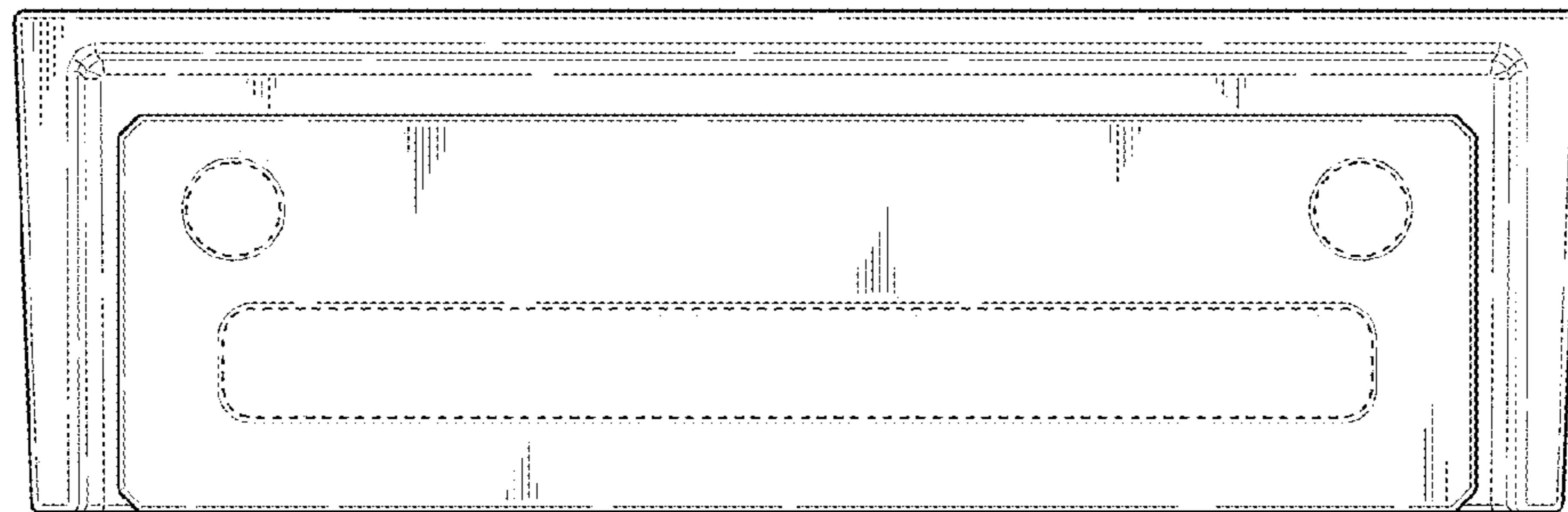


FIG. 4

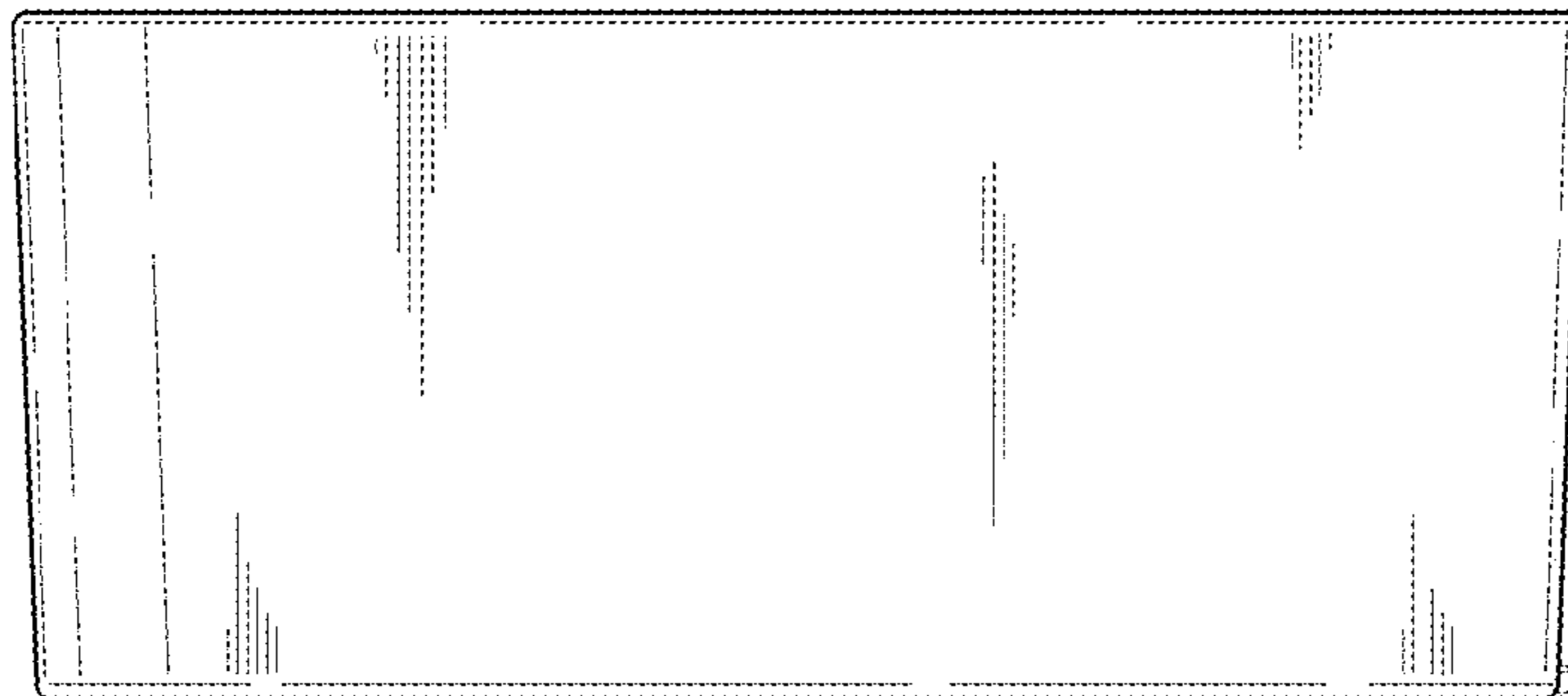


FIG. 5

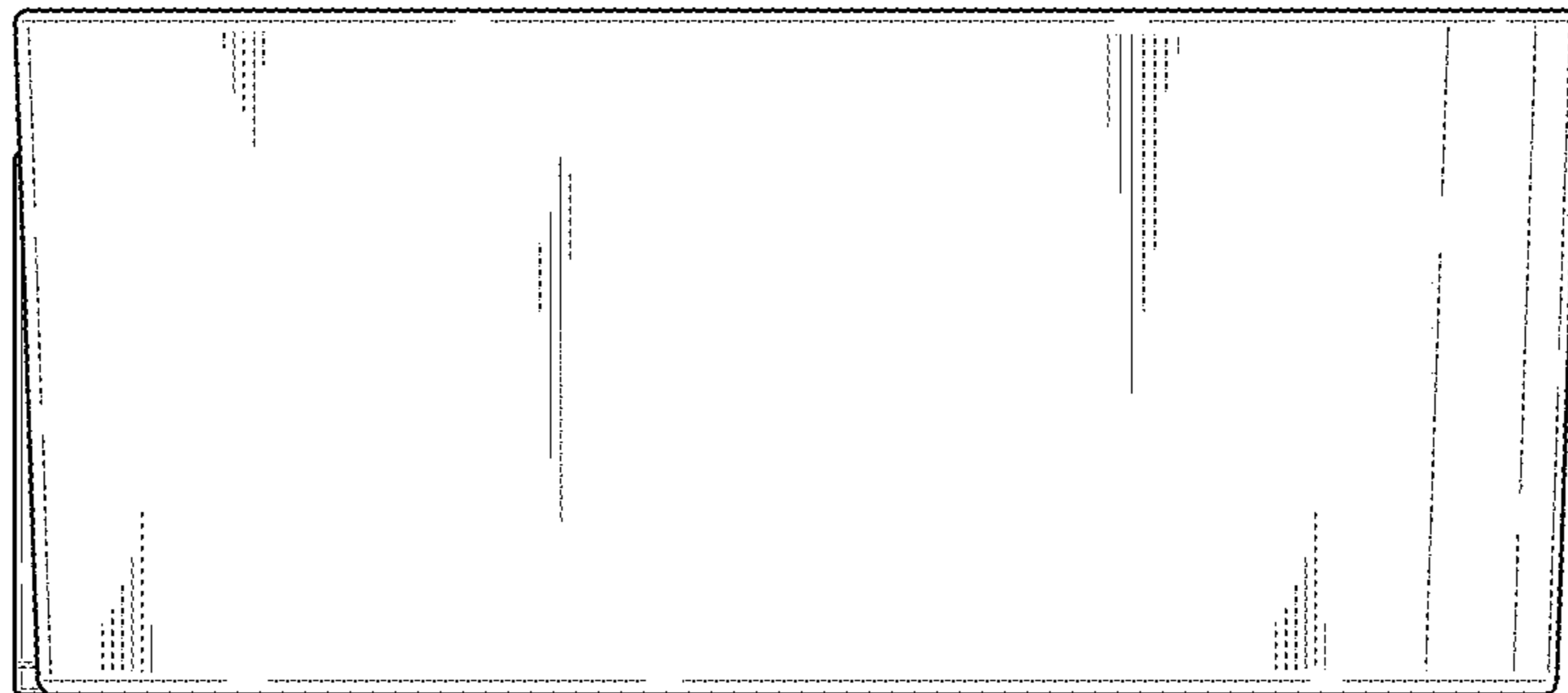


FIG. 6

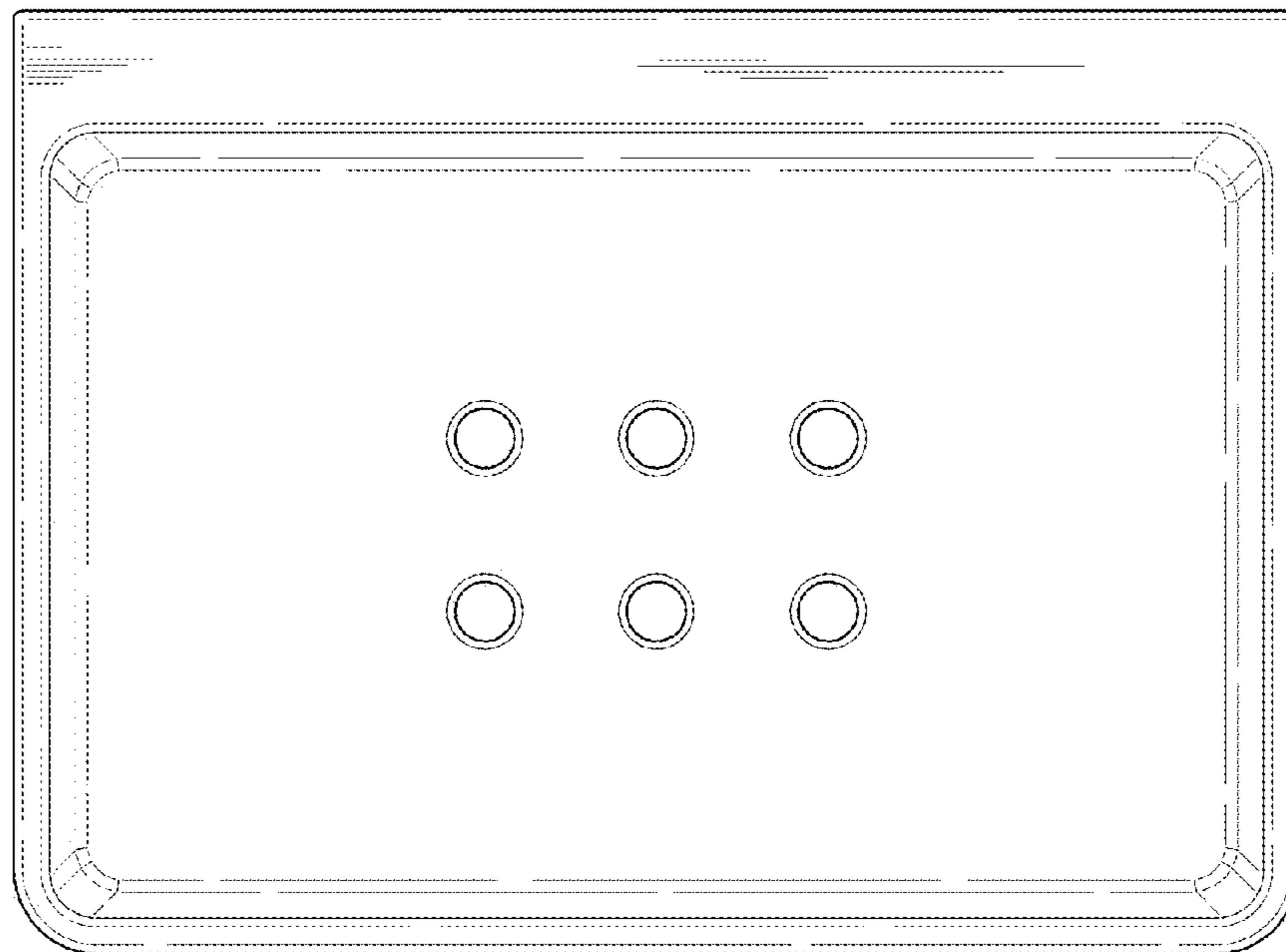


FIG. 7

