



US00D764828S

(12) **United States Design Patent** (10) **Patent No.:** **US D764,828 S**  
**Chang et al.** (45) **Date of Patent:** **\*\* Aug. 30, 2016**

(54) **PAPER TOWEL HOLDER**  
(71) Applicant: **3M INNOVATIVE PROPERTIES COMPANY**, St. Paul, MN (US)  
(72) Inventors: **Pei-Chun Chang**, Taoyuan (TW); **Hui-Lin Wang**, Taipei (TW); **Hsi Che Cheng**, Taipei (TW)

D327,598 S \* 7/1992 Emery ..... D6/522  
D383,343 S \* 9/1997 Goodman ..... D6/522  
D409,423 S \* 5/1999 Malik ..... D6/518  
D428,743 S \* 8/2000 Goodman ..... D6/522  
D553,887 S \* 10/2007 Goodman ..... D6/513  
D576,435 S \* 9/2008 Snell ..... D6/513  
D723,298 S \* 3/2015 Goodman ..... D6/513

(73) Assignee: **3M INNOVATIVE PROPERTIES COMPANY**, St. Paul, MN (US)

**FOREIGN PATENT DOCUMENTS**

TW D151375 1/2013

(\*\*) Term: **14 Years**

\* cited by examiner

(21) Appl. No.: **29/506,475**

*Primary Examiner* — Wan Laymon

(22) Filed: **Oct. 16, 2014**

*Assistant Examiner* — Mark Booker

(51) **LOC (10) Cl.** ..... **06-04**

(74) *Attorney, Agent, or Firm* — Irina Hass

(52) **U.S. Cl.**  
USPC ..... **D6/522**

(57) **CLAIM**

The ornamental design for a paper towel holder, as shown and described.

(58) **Field of Classification Search**  
USPC ..... D6/522, 518–521; 206/389, 391;  
211/13.1, 45, 59.1, 89.01; 242/570,  
242/590, 597.7; 248/309.1, 309.2  
CPC ..... A47K 10/04; A47K 10/02; A47K 10/10;  
A47K 10/3836; A47K 2010/324; A47K  
2010/389; B08B 1/006  
See application file for complete search history.

**DESCRIPTION**

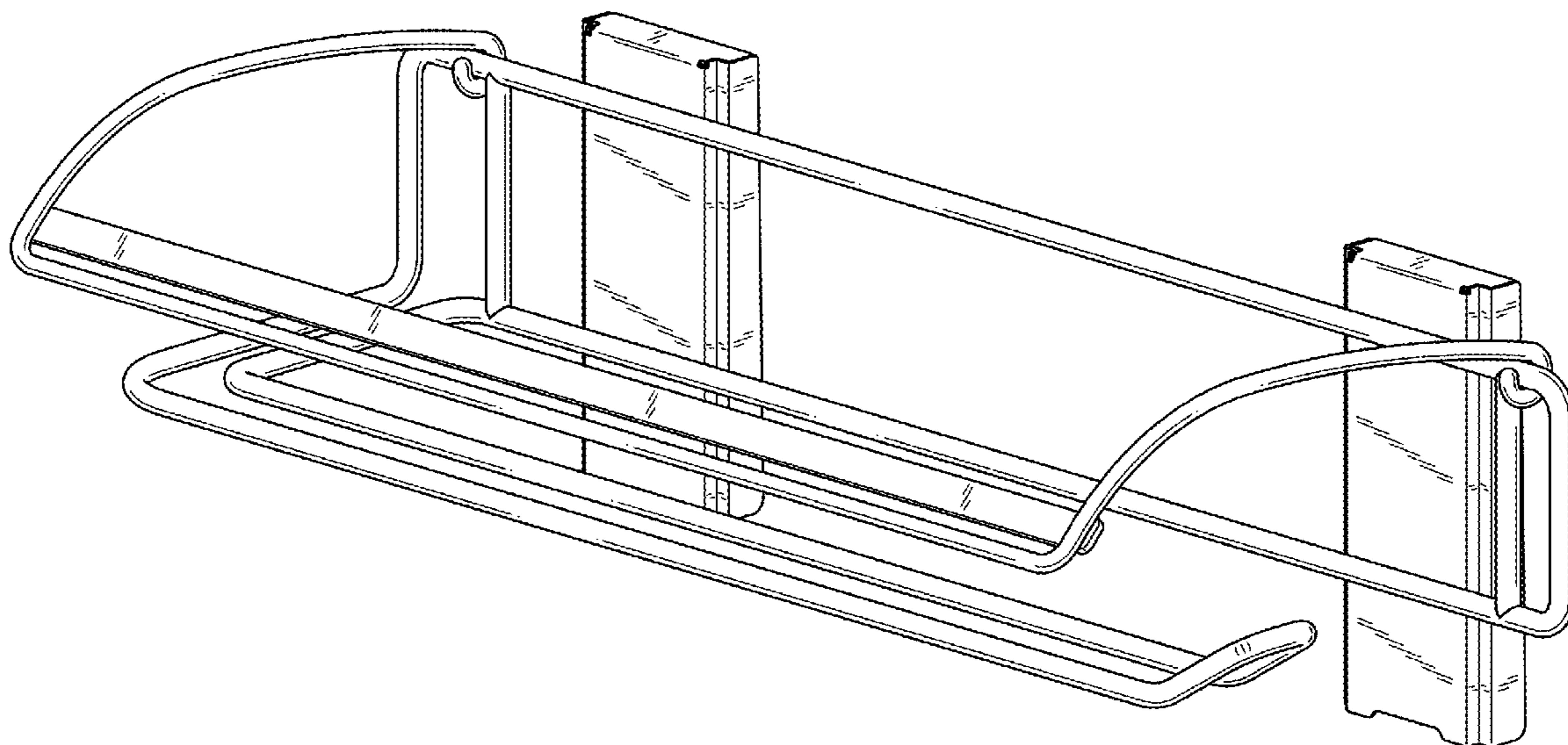
FIG. 1 is a perspective view showing the new design for a paper towel holder;  
FIG. 2 is a front view thereof;  
FIG. 3 is a rear view thereof;  
FIG. 4 is a top view thereof;  
FIG. 5 is a bottom view thereof;  
FIG. 6 is a left side view thereof; and,  
FIG. 7 is a right side view thereof.

(56) **References Cited**

**U.S. PATENT DOCUMENTS**

D285,850 S \* 9/1986 Waldron ..... D34/6  
D317,385 S \* 6/1991 Wolff ..... D6/522

**1 Claim, 6 Drawing Sheets**



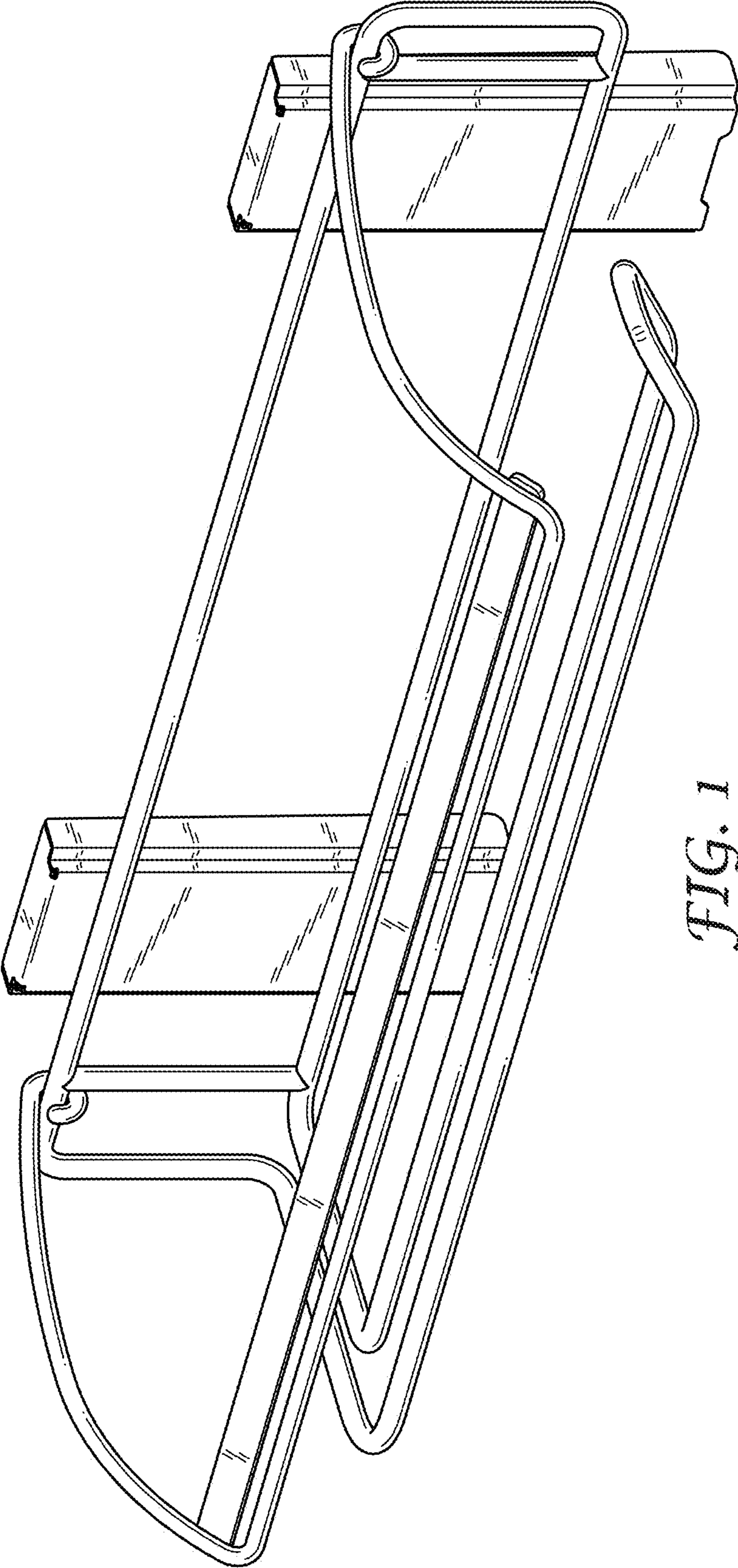


FIG. 1

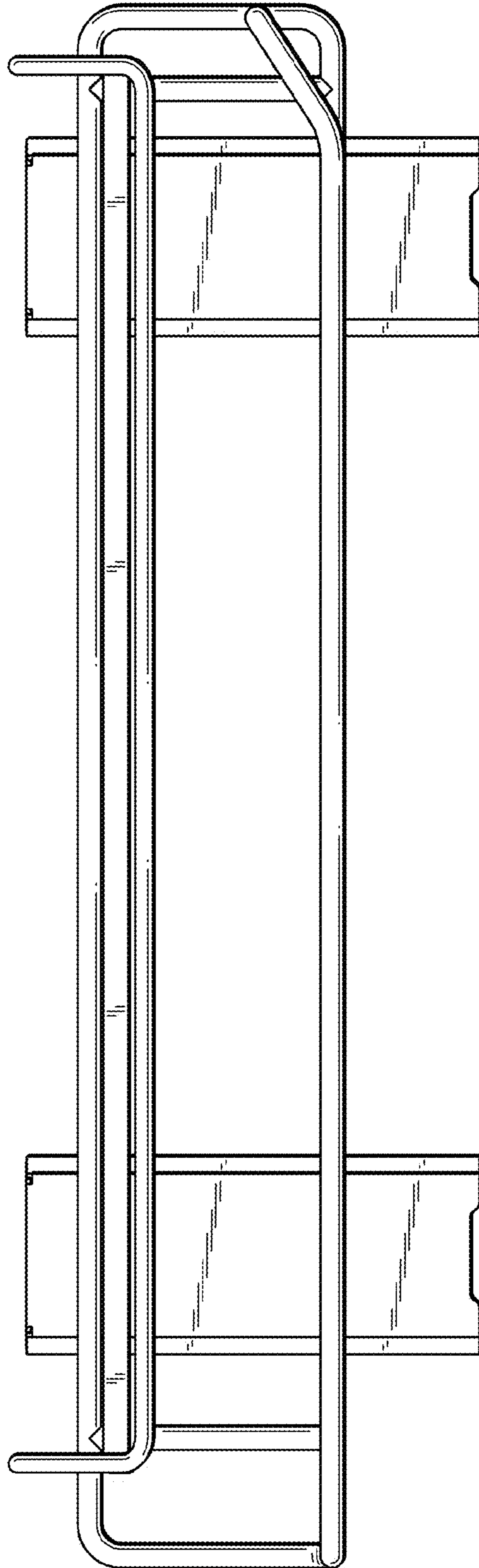


FIG. 2

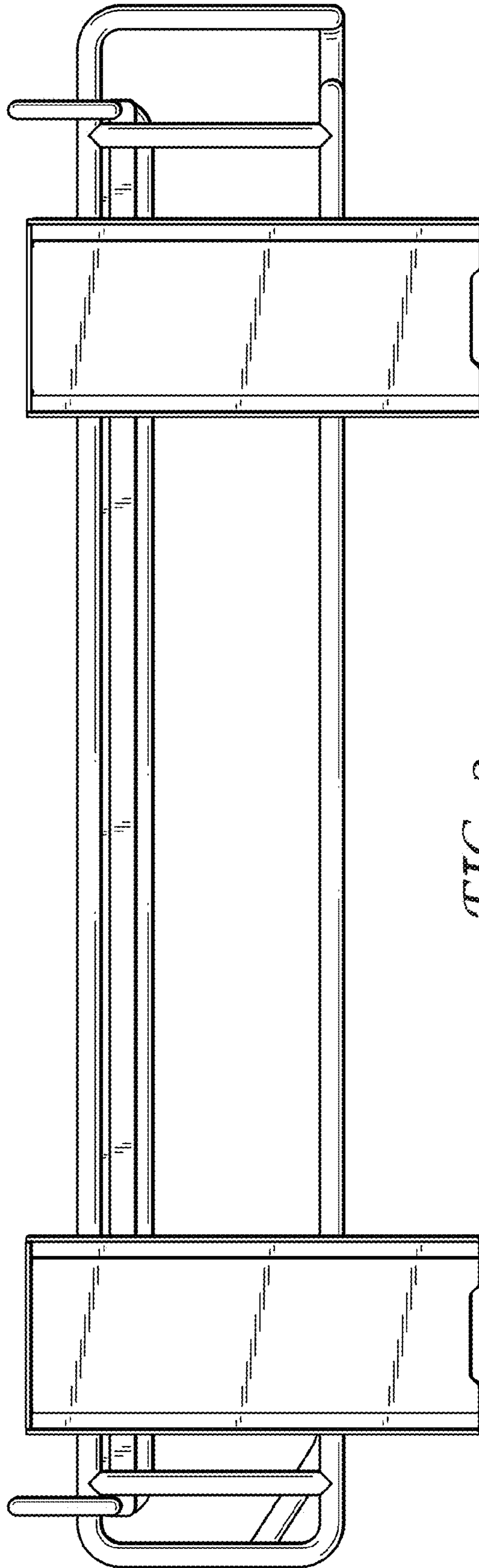


FIG. 3

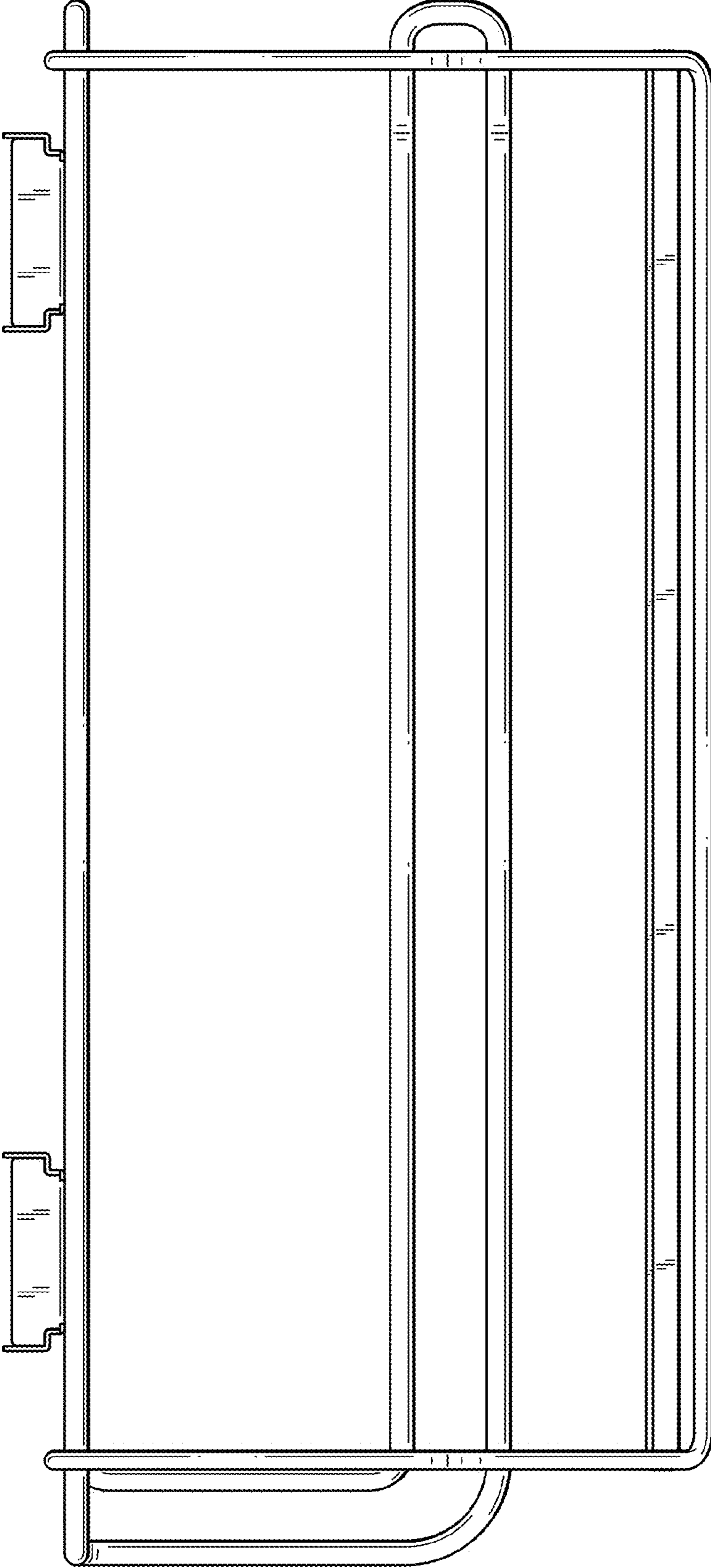


FIG. 4

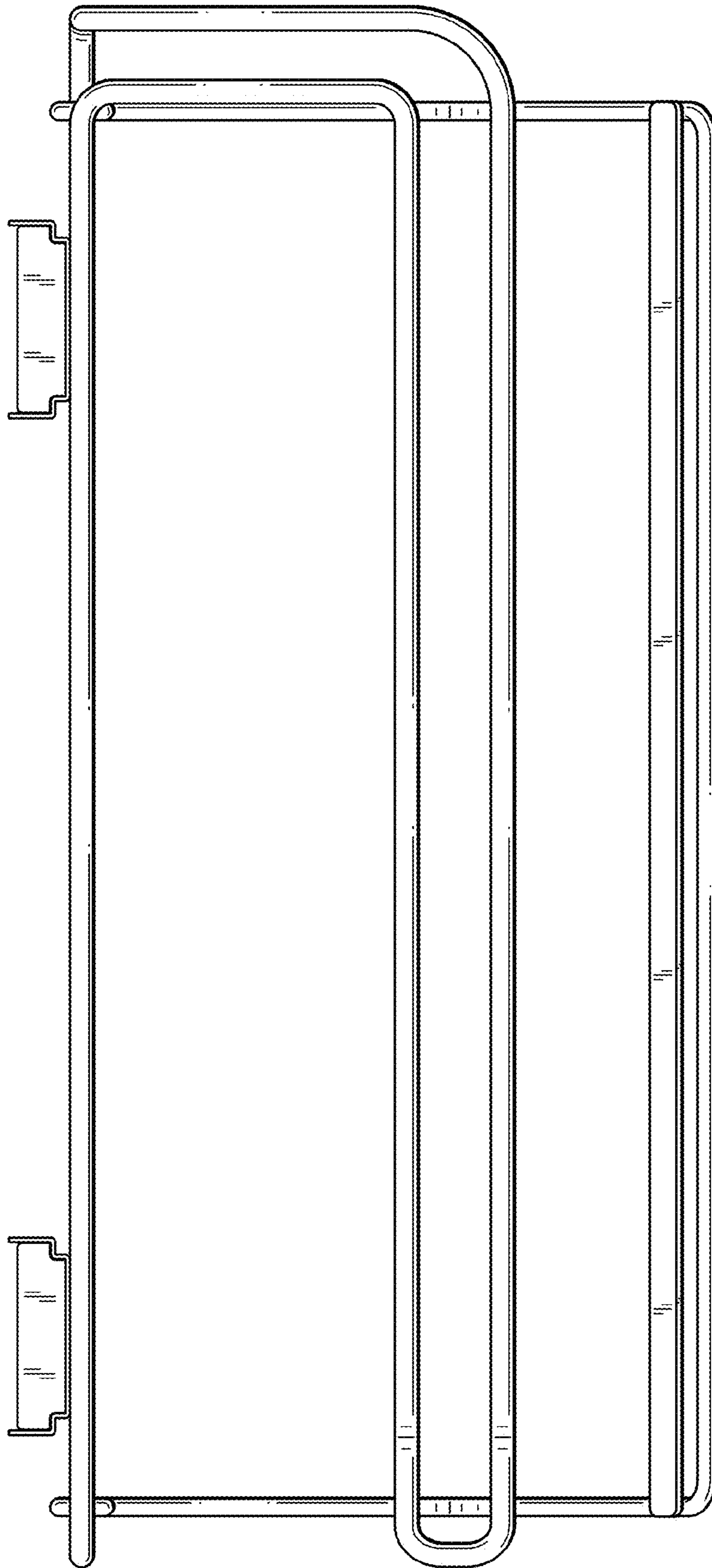


FIG. 5

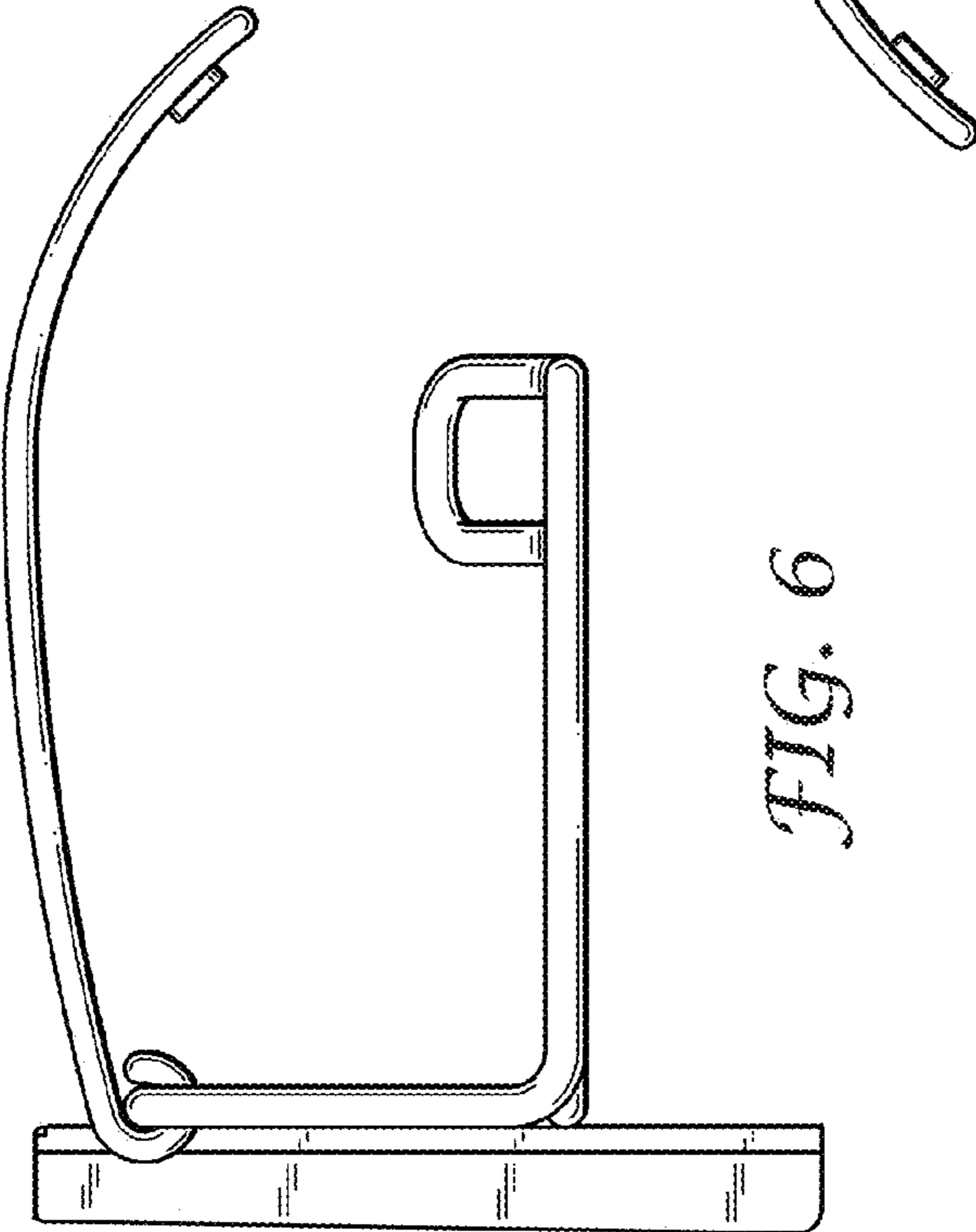


FIG. 6

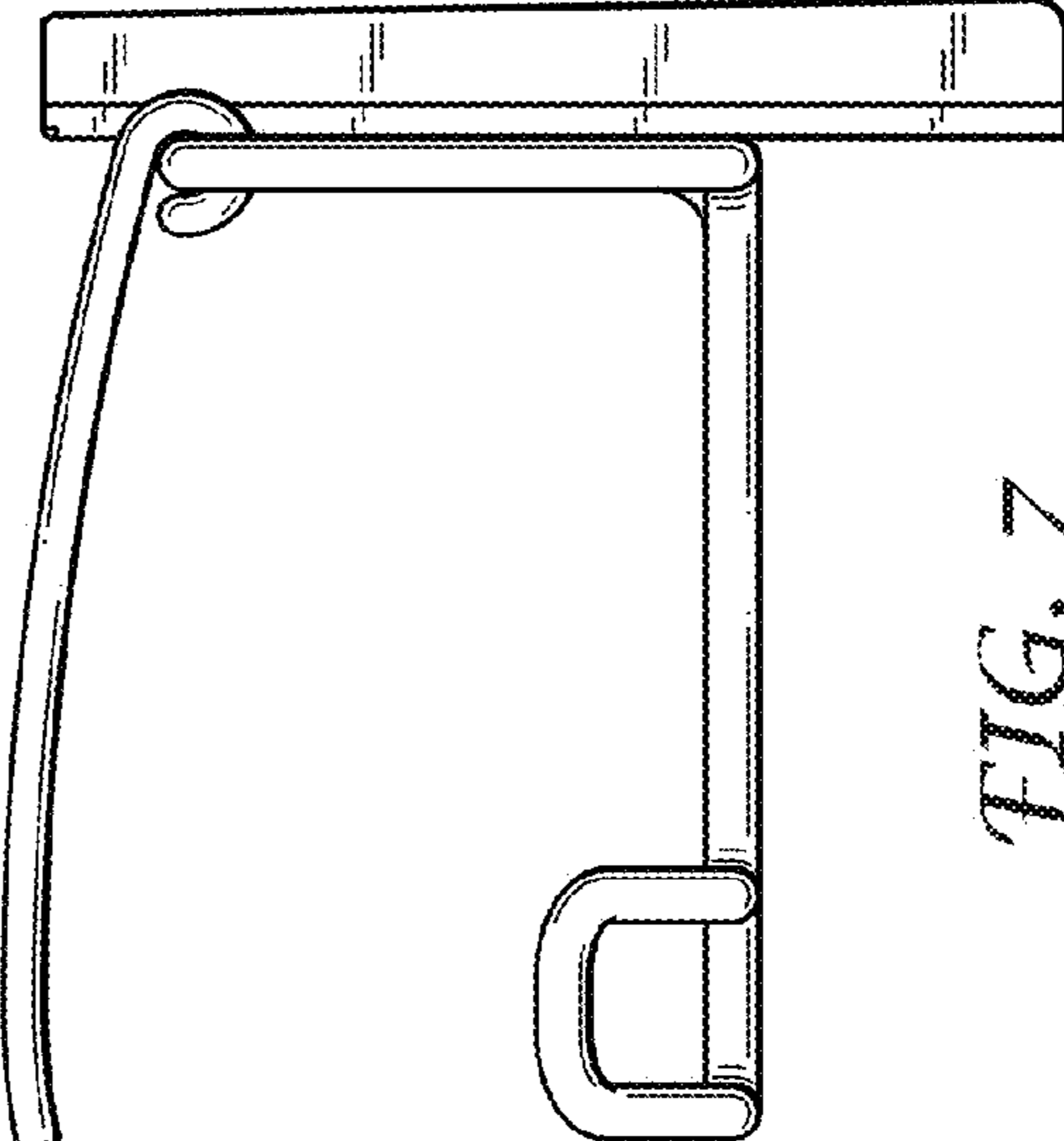


FIG. 7