

US00D764826S

(12) **United States Design Patent** (10) **Patent No.:** **US D764,826 S**
Webb (45) **Date of Patent:** **** Aug. 30, 2016**

(54) **FURNITURE**

(71) Applicant: **Roger Webb Associates Ltd**, London (GB)

(72) Inventor: **Roger Webb**, London (GB)

(73) Assignee: **ROGER WEBB ASSOCIATES LTD**, London (GB)

(**) Term: **14 Years**

(21) Appl. No.: **29/475,303**

(22) Filed: **Dec. 2, 2013**

(30) **Foreign Application Priority Data**

May 31, 2013	(EM)	001372817-0001
May 31, 2013	(EM)	001372817-0002
May 31, 2013	(EM)	001372817-0003
May 31, 2013	(EM)	001372817-0004
May 31, 2013	(EM)	001372817-0005
May 31, 2013	(EM)	001372817-0006
May 31, 2013	(EM)	001372817-0007
May 31, 2013	(EM)	001372817-0008
May 31, 2013	(EM)	001372817-0009
May 31, 2013	(EM)	001372817-0010
May 31, 2013	(EM)	001372817-0011
May 31, 2013	(EM)	001372817-0012

(51) **LOC (10) Cl.** **06-01**

(52) **U.S. Cl.**
USPC **D6/381**

(58) **Field of Classification Search**
USPC D6/334-338, 349, 355, 361, 368-370, D6/376, 379-381, 716, 716.1, 716.2, 340, D6/354, 377, 709, 710, 716.4, 367; 297/16.1, 42, 94, 135, 175, 232, 233, 297/350, 351, 445.1, 448.1, 448.2, 451.9, 297/452.1, DIG. 7; 5/12.1, 12.2
CPC A47C 1/02; A47C 1/024; A47C 7/18; A47C 7/24; A47C 17/00; A47C 17/02; A47C 17/175

See application file for complete search history.

(56) **References Cited**

U.S. PATENT DOCUMENTS

D132,793	S	*	6/1942	Reiss	D6/364
D239,671	S	*	4/1976	Giovani	D6/371
D244,894	S	*	7/1977	Tillberg	D6/381
D261,953	S	*	11/1981	Aronowitz	D6/363
D261,954	S	*	11/1981	Aronowitz	D6/363
D261,955	S	*	11/1981	Aronowitz	D6/363
D262,163	S	*	12/1981	Aronowitz	D6/364
D262,164	S	*	12/1981	Aronowitz	D6/364
D262,166	S	*	12/1981	Aronowitz	D6/378
D262,421	S	*	12/1981	Aronowitz	D6/364
D264,027	S	*	4/1982	Aronowitz	D6/364
D284,142	S	*	6/1986	Raftery	D6/334
D336,377	S	*	6/1993	Gibson	D6/334
D433,825	S	*	11/2000	Piretti	D6/334
D545,070	S	*	6/2007	Hutton	D6/334
7,287,816	B1	*	10/2007	Karl	A47C 31/113 297/452.1
D577,211	S	*	9/2008	Natuzzi	D6/334
D586,590	S	*	2/2009	Schweikarth	D6/716
D624,328	S	*	9/2010	Grandin	D6/381
D639,083	S	*	6/2011	Martin	D6/381
D657,155	S	*	4/2012	Grandin	D6/381
D657,964	S	*	4/2012	Amini	D6/334
D662,733	S	*	7/2012	Metcalf	D6/717
D668,892	S	*	10/2012	Metcalf	D6/717
D717,552	S	*	11/2014	Baraldi	D6/334
D717,553	S	*	11/2014	Baraldi	D6/334

* cited by examiner

Primary Examiner — Sandra Snapp

(74) *Attorney, Agent, or Firm* — Abelman, Frayne & Schwab

(57) **CLAIM**

The ornamental design for furniture, as shown and described.

DESCRIPTION

FIG. 1 is a front elevation view of a 1st embodiment of furniture,
FIG. 2 is a left side elevation view thereof, the right side elevation view is a mirror image thereof,
FIG. 3 is a rear elevation view thereof,
FIG. 4 is a top plan view thereof,

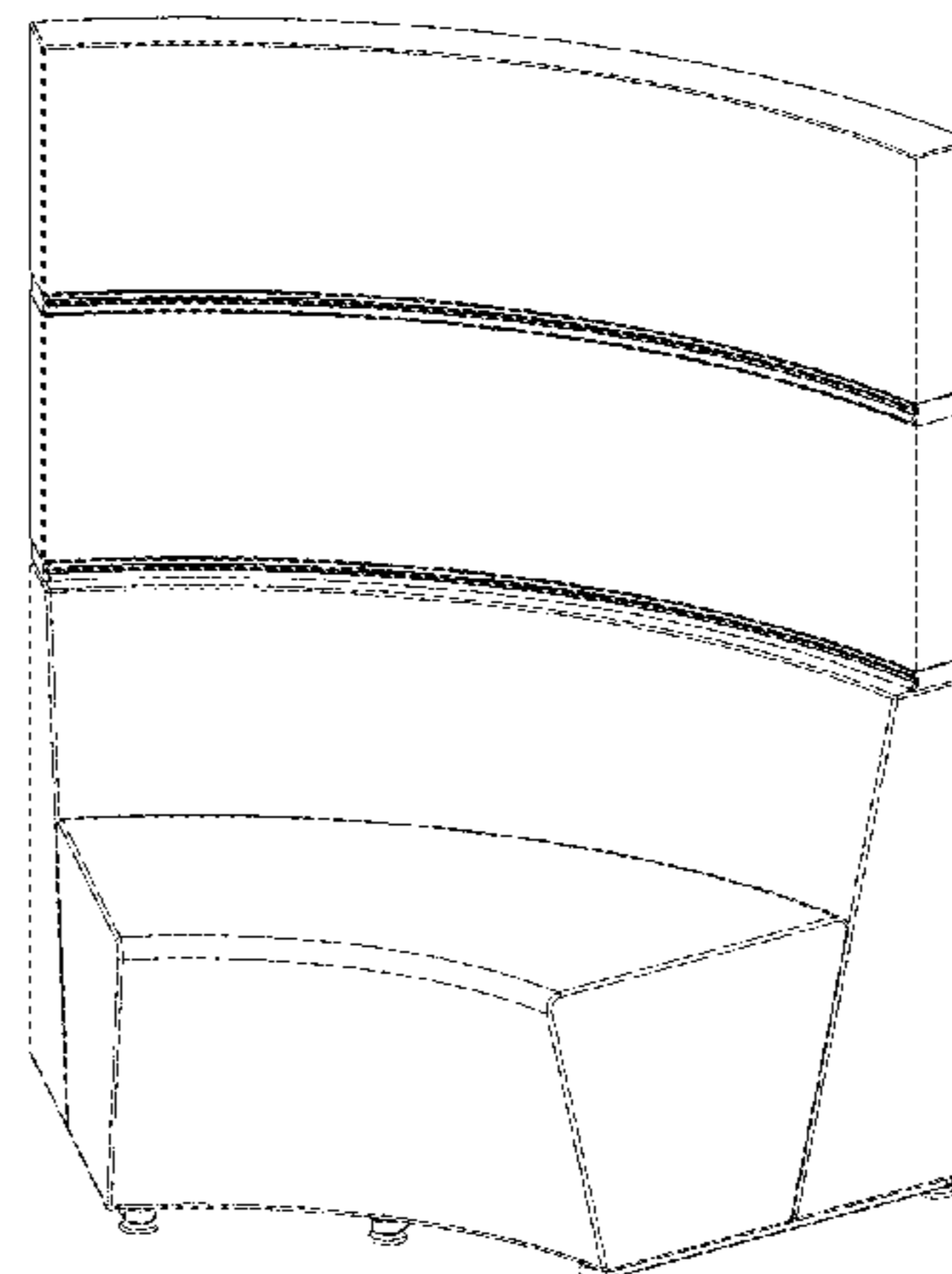
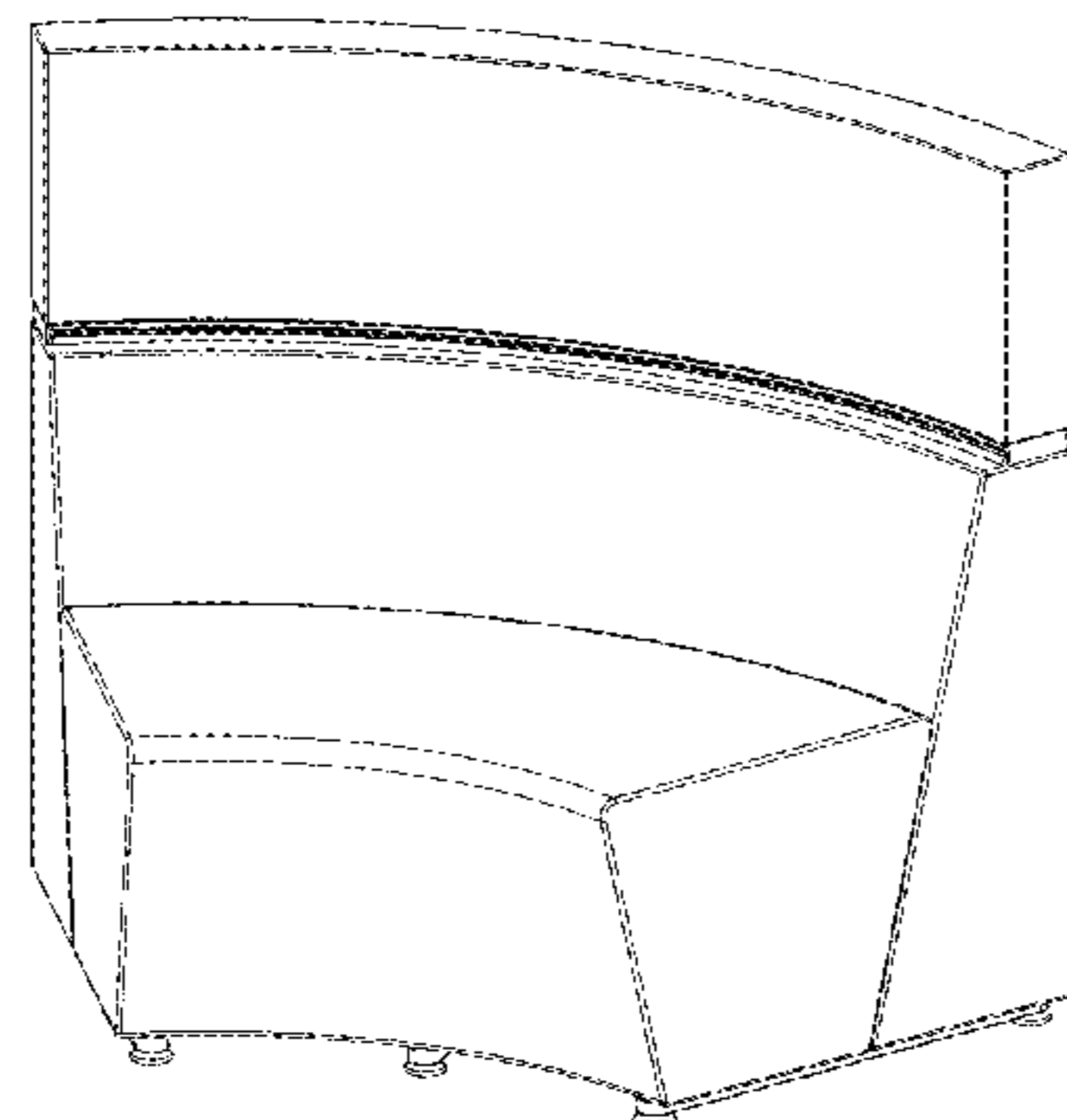


FIG. 5 is a top front right side perspective view thereof,
FIG. 6 is a top rear left side perspective view thereof,
FIG. 7 is a front elevation view of a 2nd embodiment of furniture,
FIG. 8 is a left side elevation view thereof, the right side elevation view is a mirror image of the left side elevation view,
FIG. 9 is a rear elevation view thereof,
FIG. 10 is a top plan view thereof,
FIG. 11 is a top front right side perspective view thereof,
FIG. 12 is a top rear left side perspective view thereof,
FIG. 13 is a front elevation view of a 3rd embodiment of furniture,
FIG. 14 is a left side elevation view thereof, the right side elevation view is a mirror image of the left side elevation view,
FIG. 15 is a rear elevation view thereof,
FIG. 16 is a top plan view thereof,
FIG. 17 is a top front right side perspective view thereof,
FIG. 18 is a top rear left side perspective view thereof,
FIG. 19 is a front elevation view of a 4th embodiment of furniture,
FIG. 20 is a left side elevation view thereof, the right side elevation view is a mirror image of the left side view,
FIG. 21 is a rear elevation view thereof,
FIG. 22 is a top plan view thereof
FIG. 23 is a top front right side perspective view thereof,
FIG. 24 is a top rear left side perspective view thereof,
FIG. 25 is a front elevation view of a 5th embodiment of furniture,
FIG. 26 is a left side elevation view thereof, the right side elevation view is a mirror image of the left side elevation view,
FIG. 27 is a rear elevation view thereof,

FIG. 28 is a top plan view thereof
FIG. 29 is a top front right side perspective view thereof,
FIG. 30 is a top rear left side perspective view thereof,
FIG. 31 is a front elevation view of an 6th embodiment of furniture,
FIG. 32 is a left side elevation view thereof, the right side elevation view is mirror image of the left side elevation view,
FIG. 33 is a rear elevation view thereof,
FIG. 34 is a top plan view thereof,
FIG. 35 is a top front right side perspective view thereof,
FIG. 36 is a top rear left side perspective view thereof,
FIG. 37 is a front elevation view of a 7th embodiment of furniture,
FIG. 38 is a left side elevation view thereof, the right side elevation view is a mirror image of the left side elevation view,
FIG. 39 is a rear elevation view thereof,
FIG. 40 is a top plan view thereof,
FIG. 41 is a top front right side perspective view thereof,
FIG. 42 is a top rear left side perspective view thereof,
FIG. 43 is a front elevation view of a 8th embodiment of furniture,
FIG. 44 is a left side elevation view thereof, the right side elevation view is a mirror image of the left side elevation view,
FIG. 45 is a rear elevation view thereof,
FIG. 46 is a top plan view thereof,
FIG. 47 is a top front right side perspective view thereof;
and,
FIG. 48 is a top rear left side perspective view thereof.
In all the above figures the bottom view is not shown and is not claimed.

1 Claim, 48 Drawing Sheets

FIG. 1

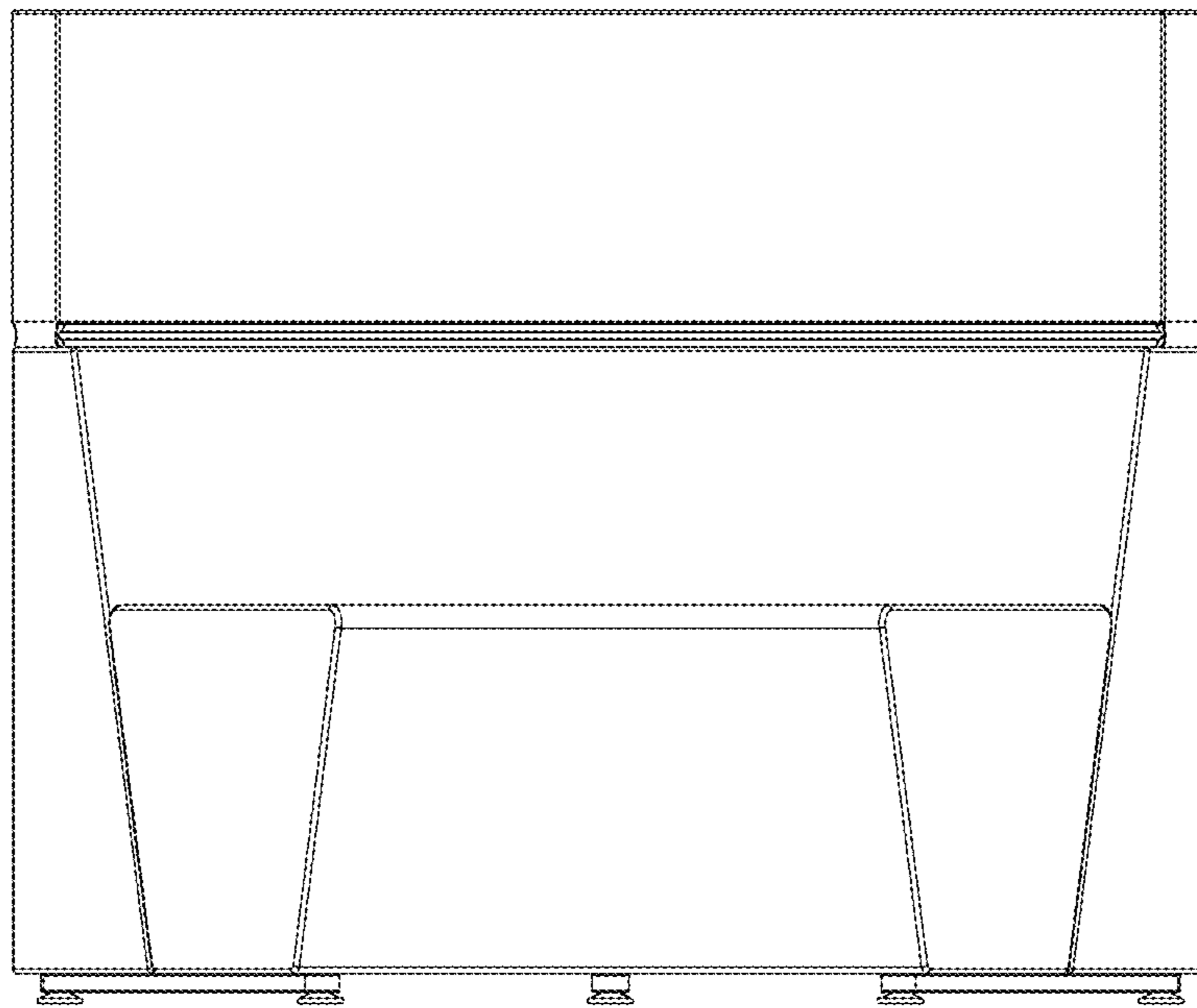


FIG. 2

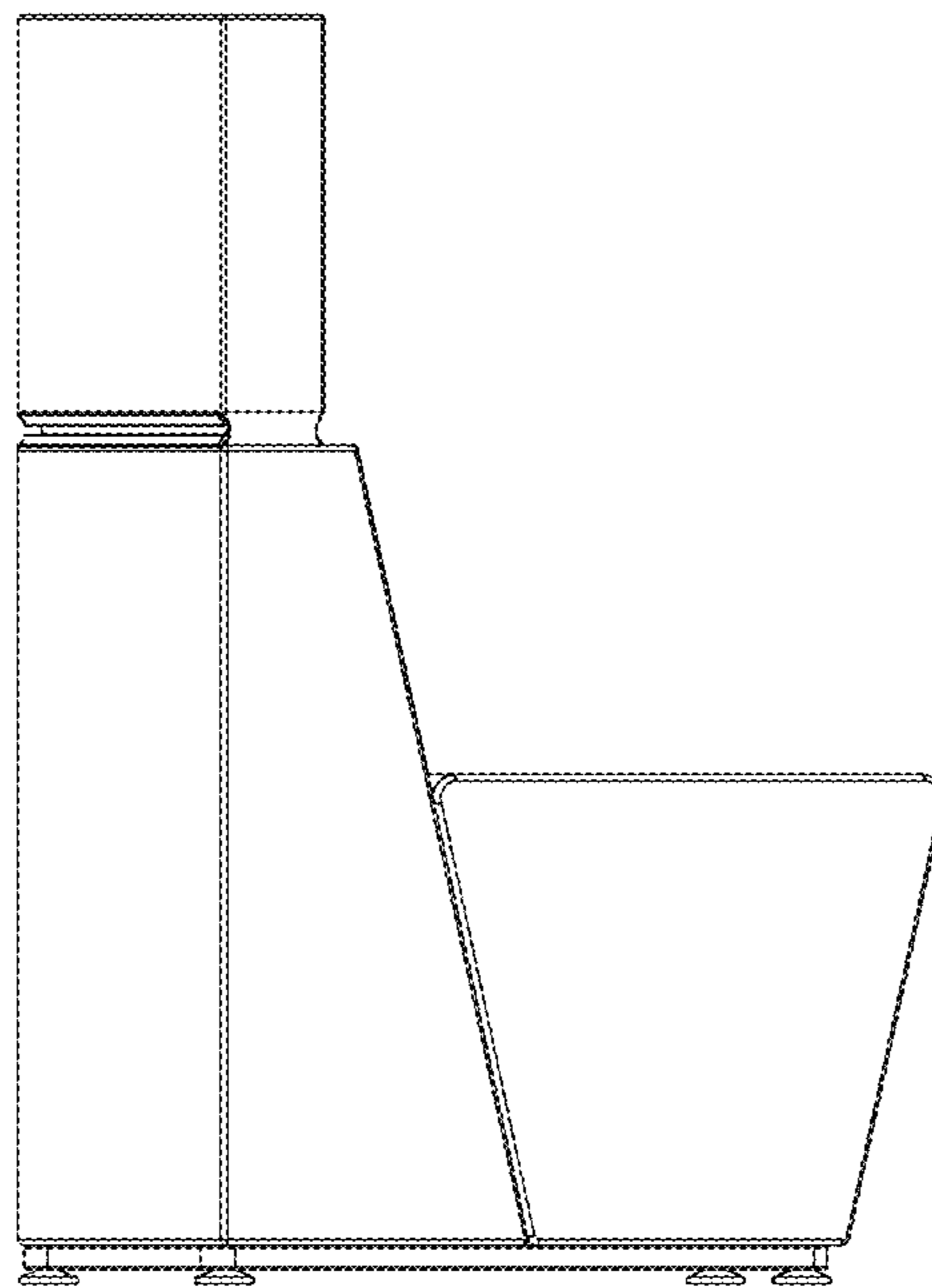


FIG. 3

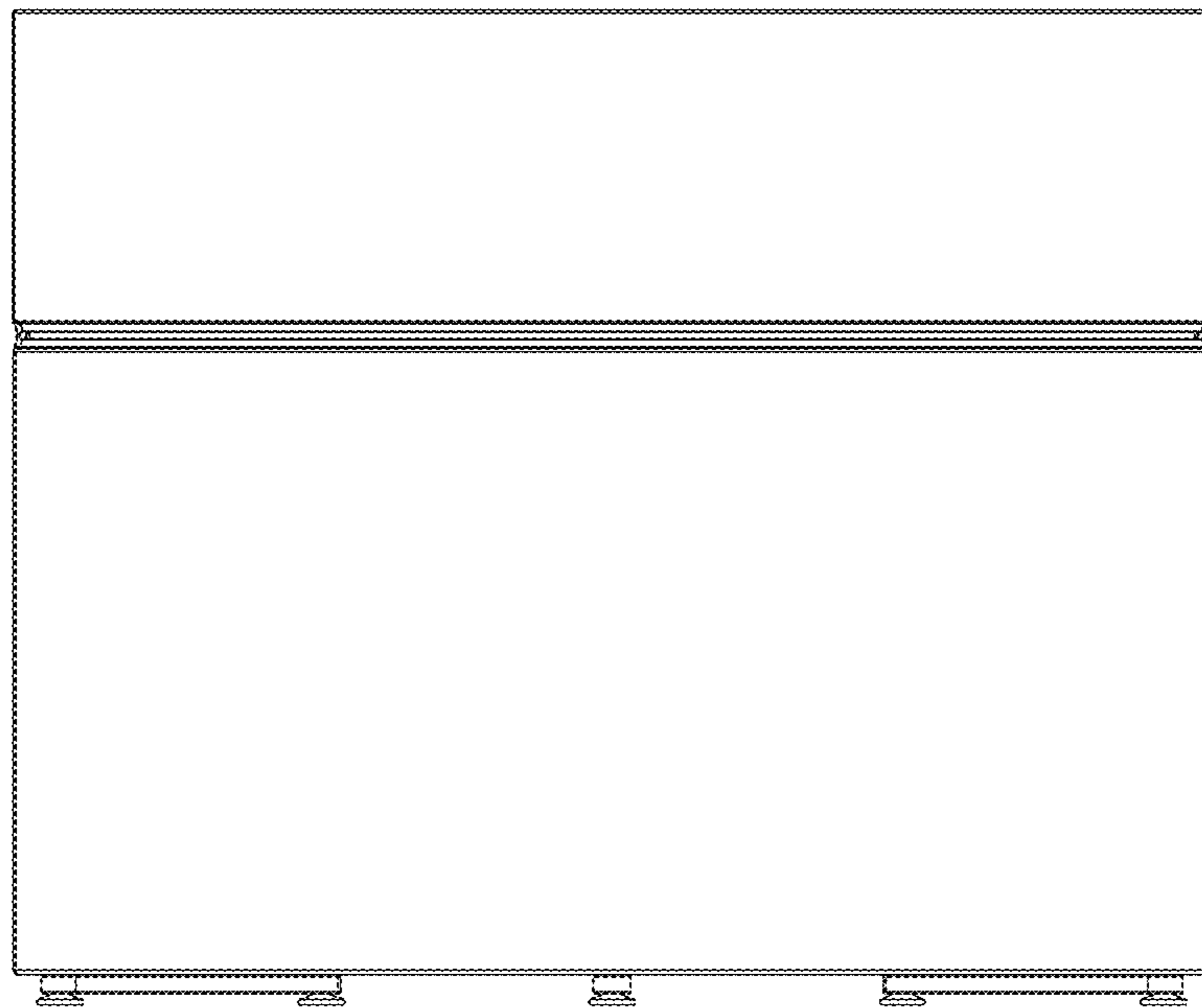


FIG. 4

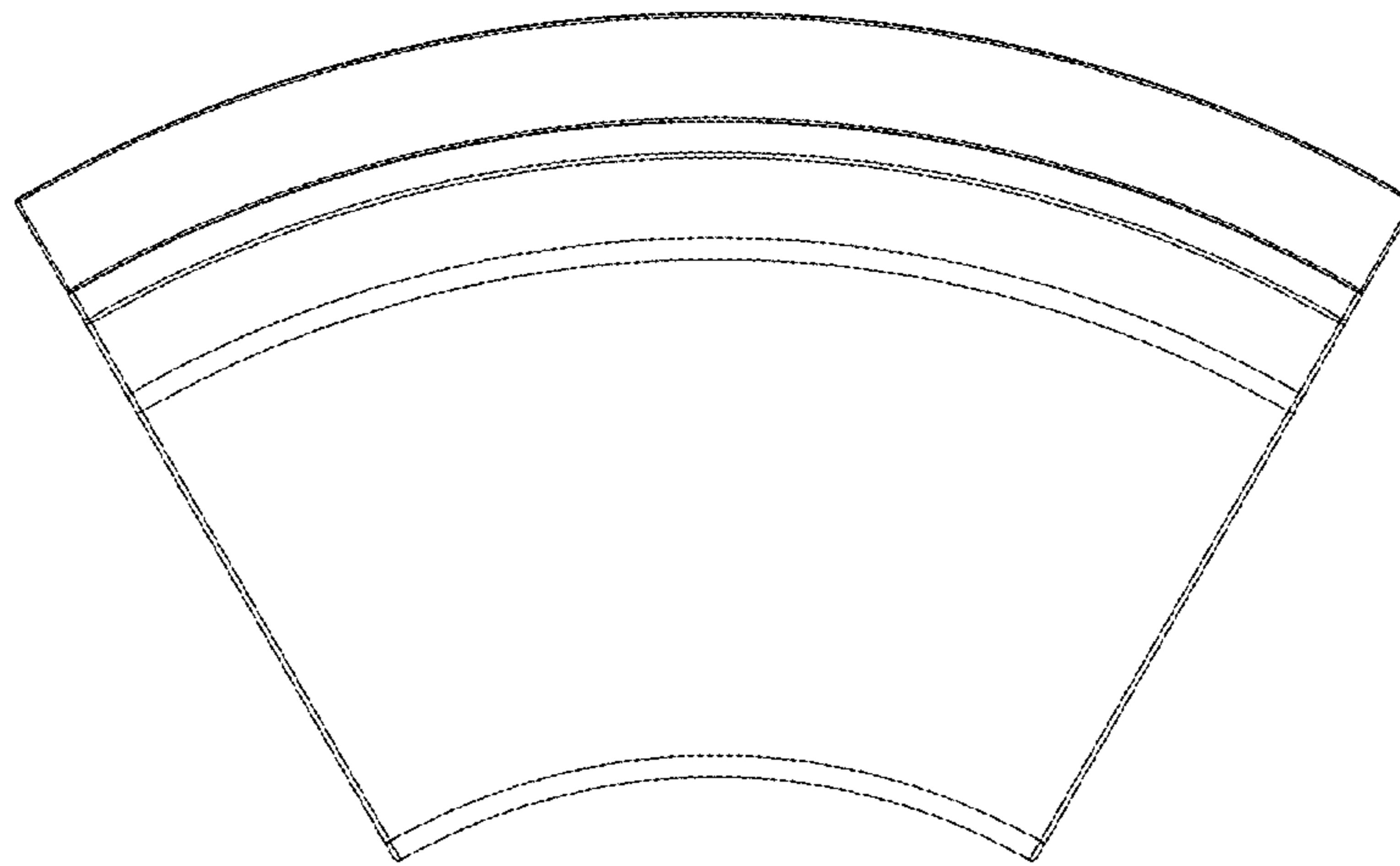


FIG. 5

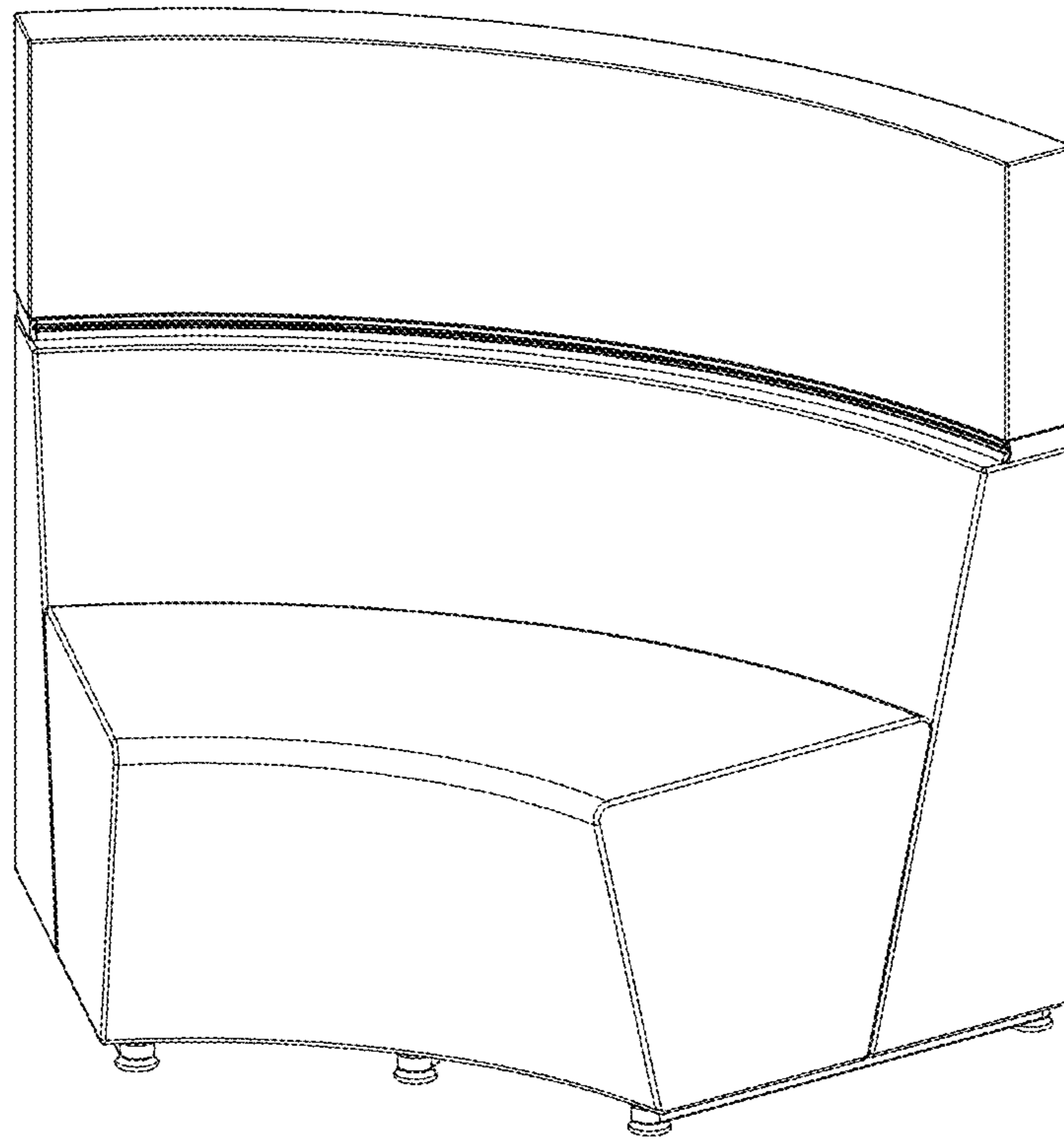


FIG. 6

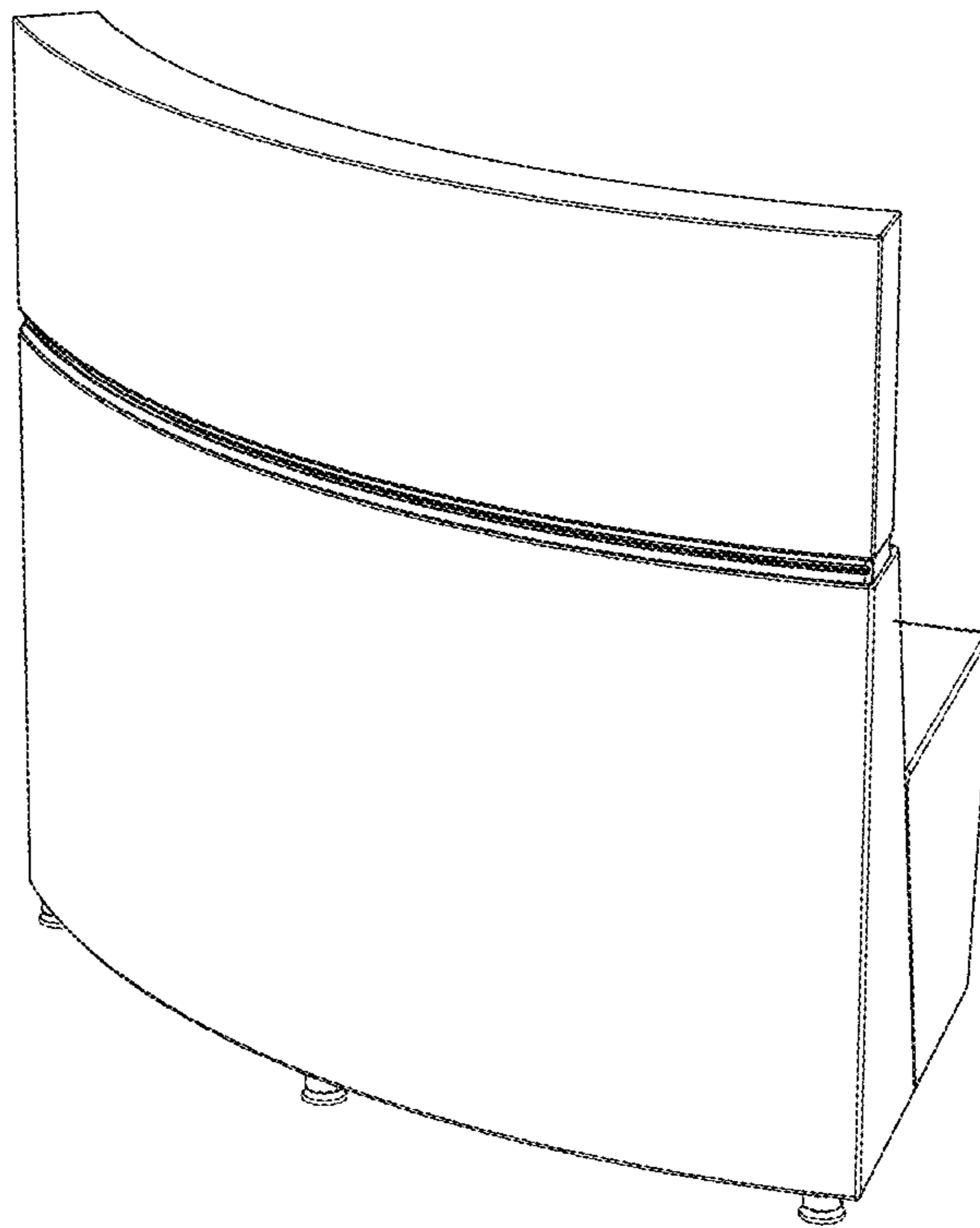


FIG. 7

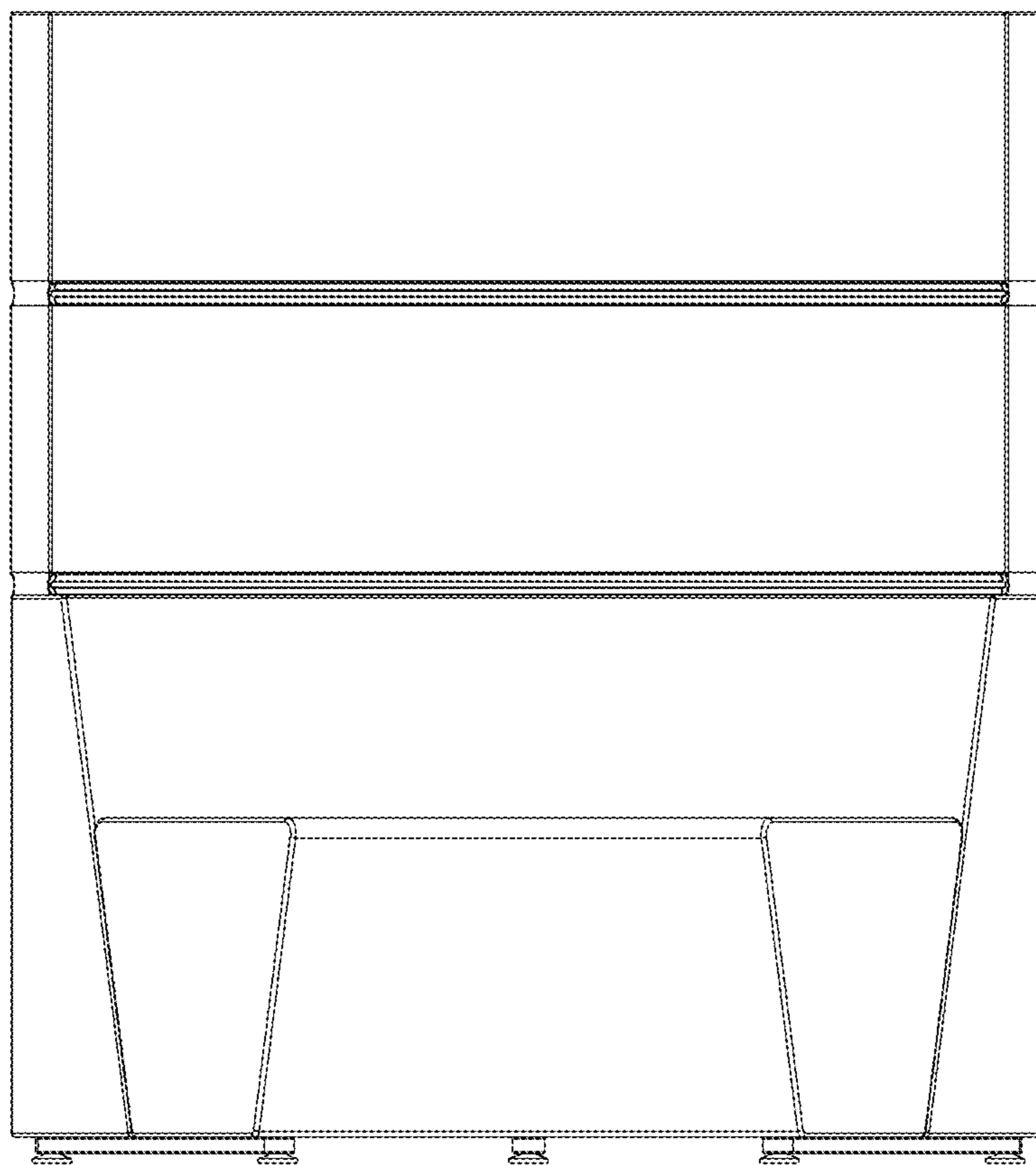


FIG. 8

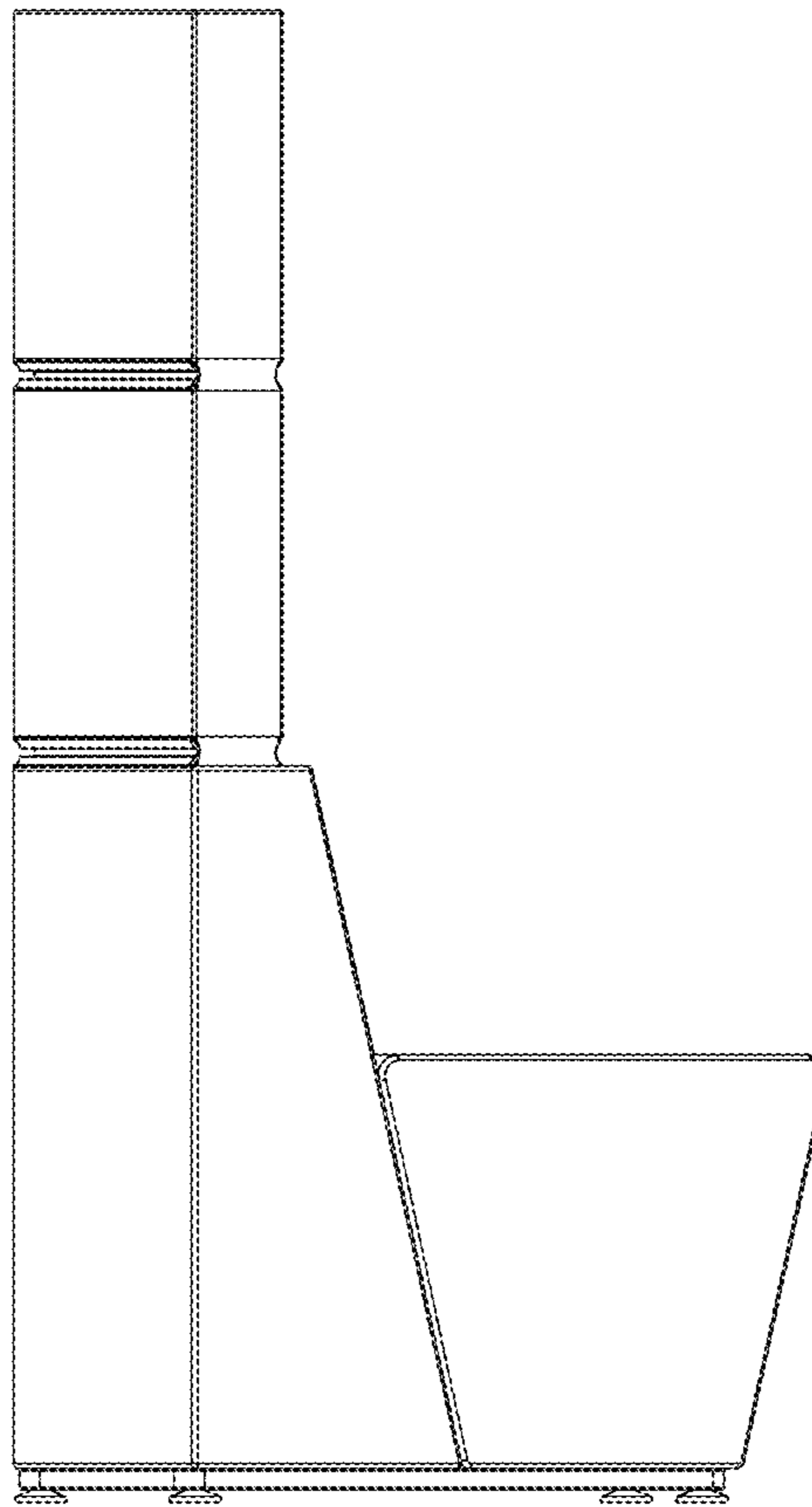


FIG. 9

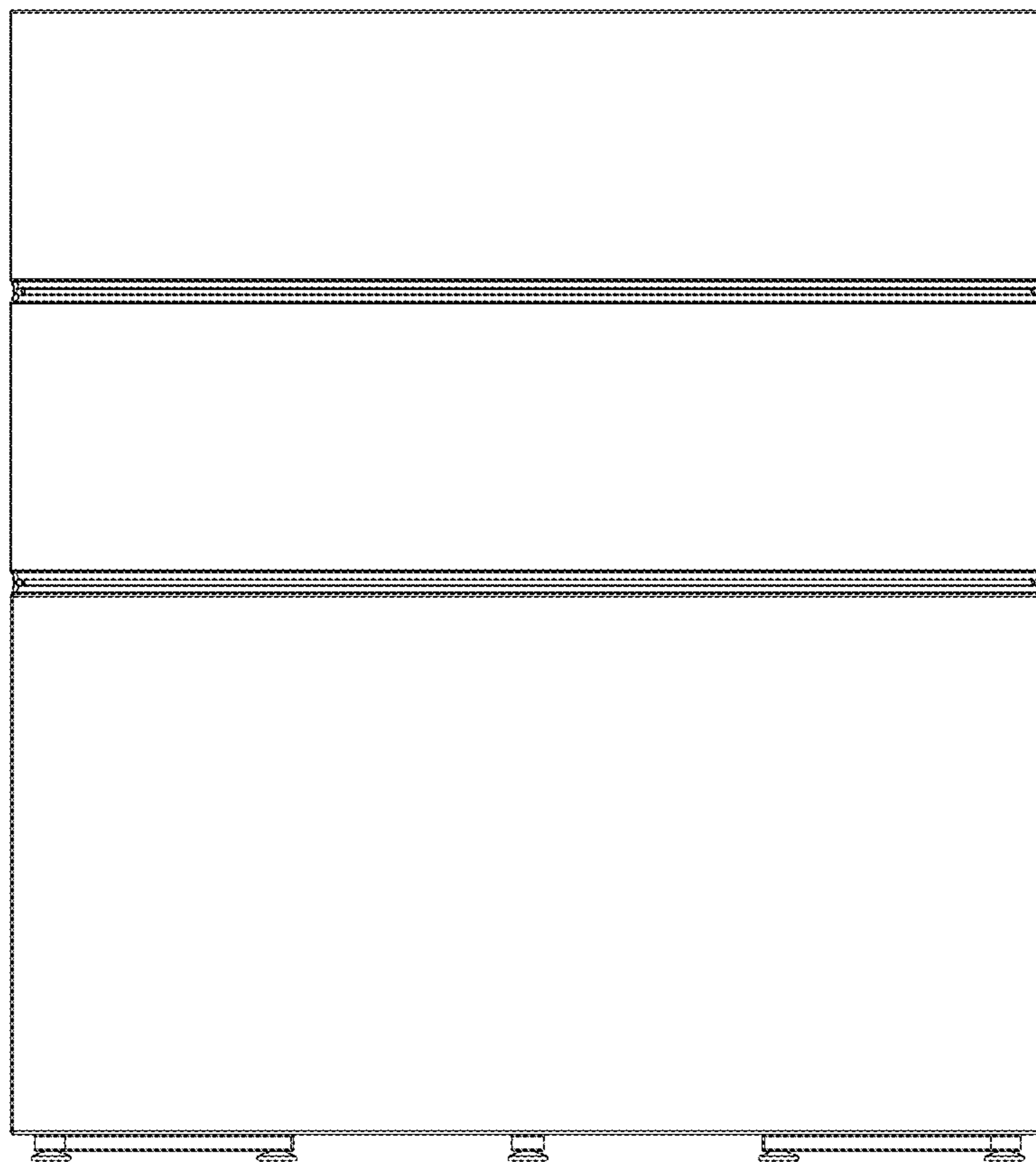


FIG. 10

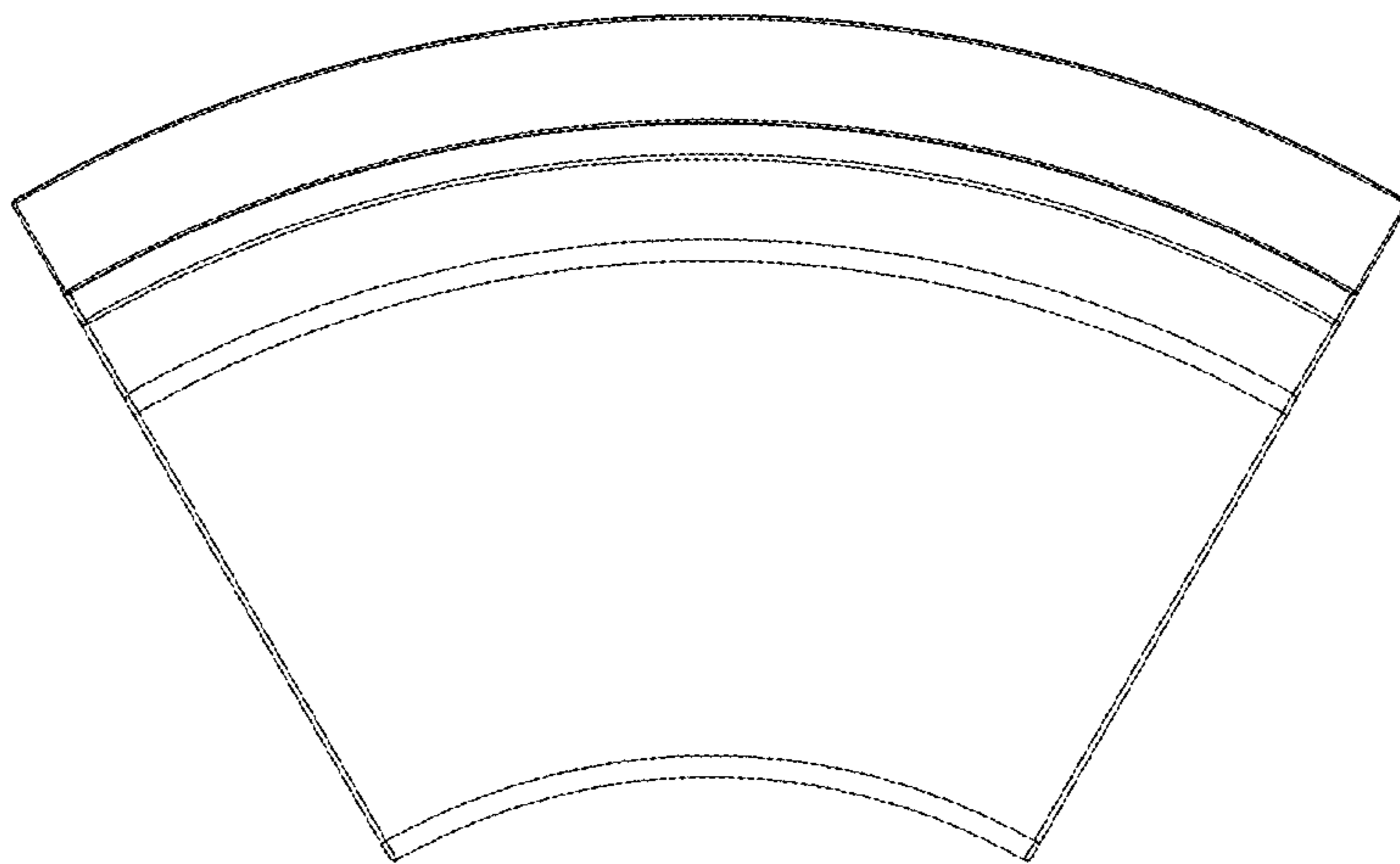


FIG. 11

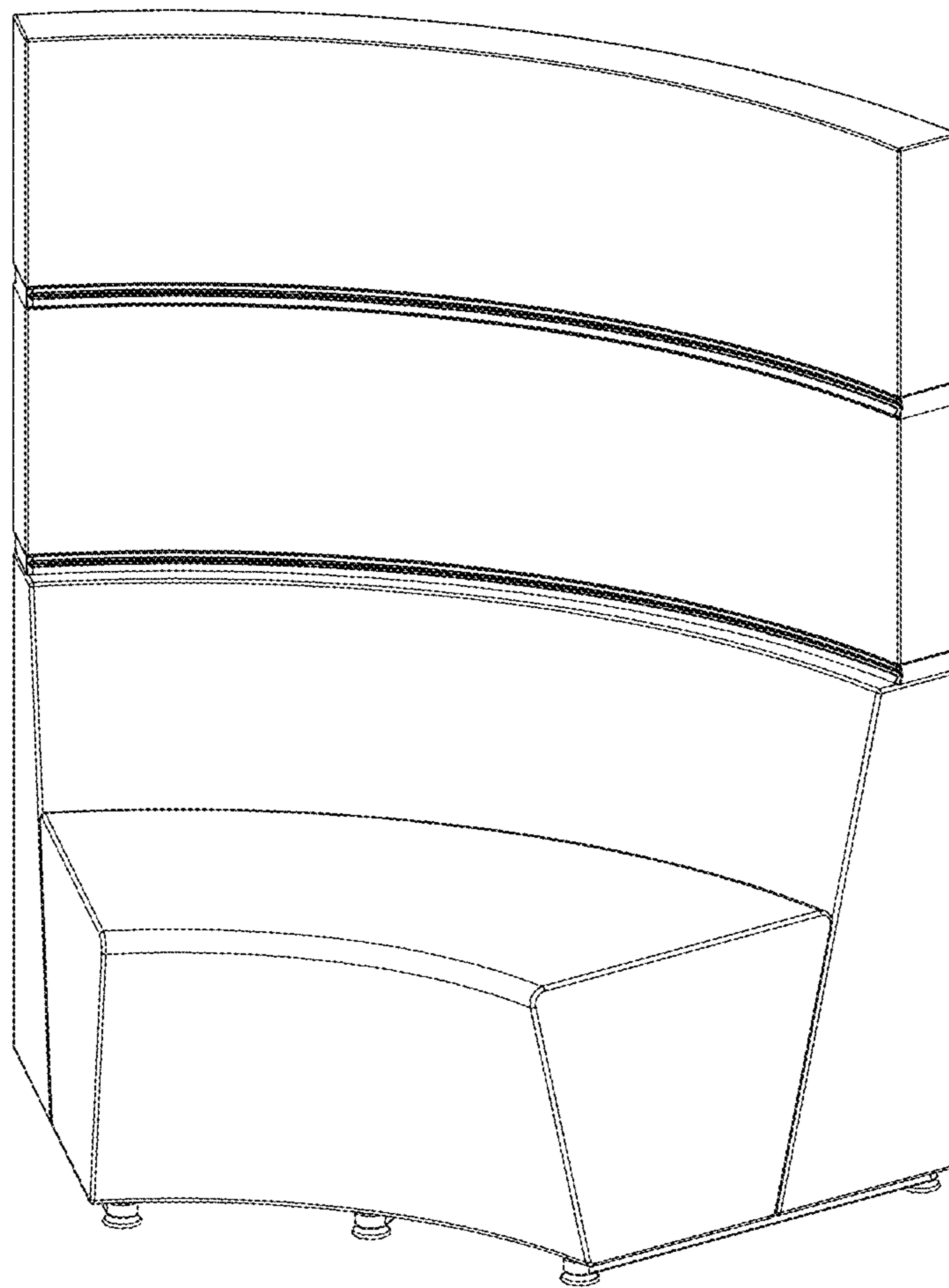


FIG. 12

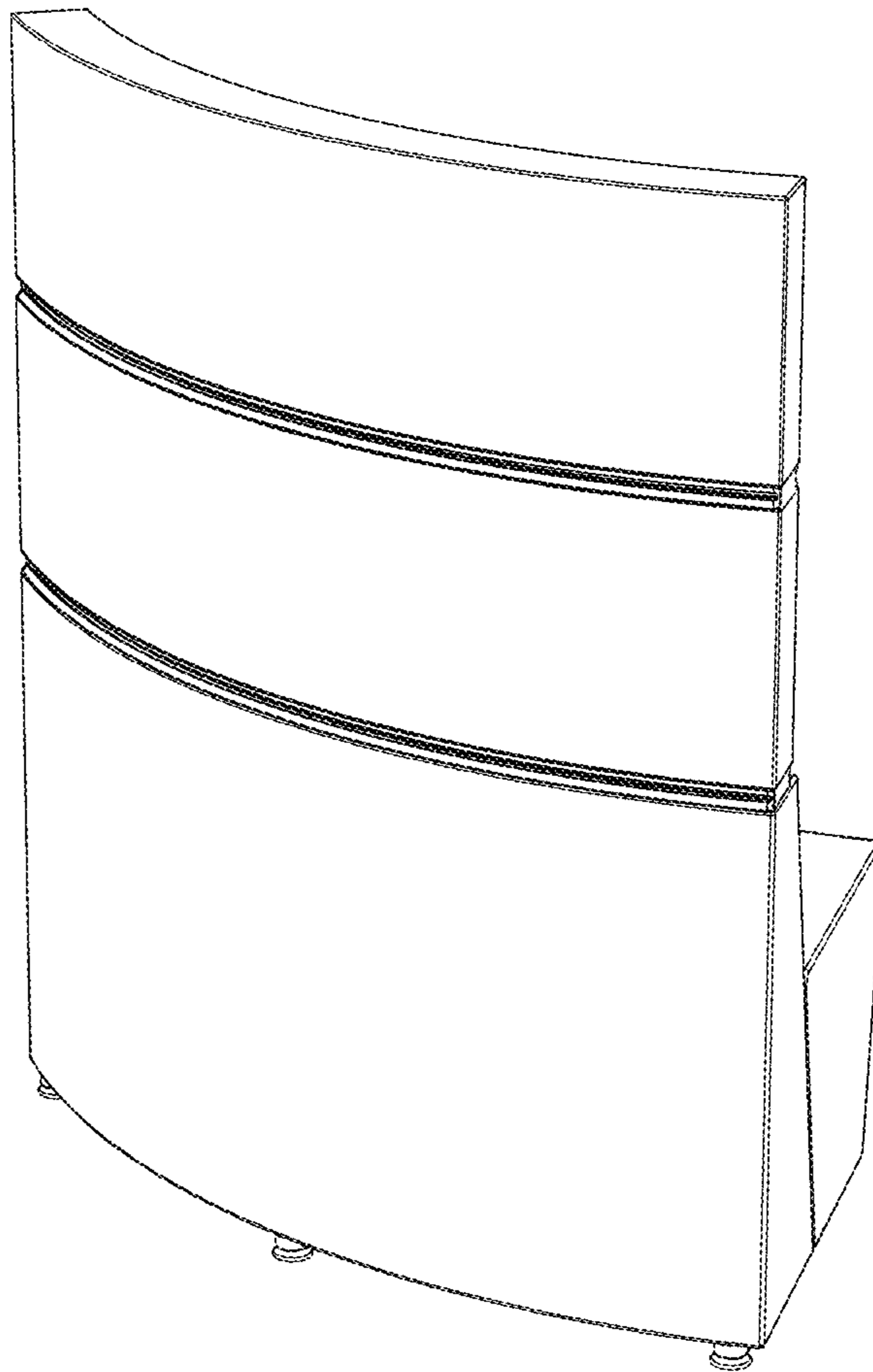


FIG. 13

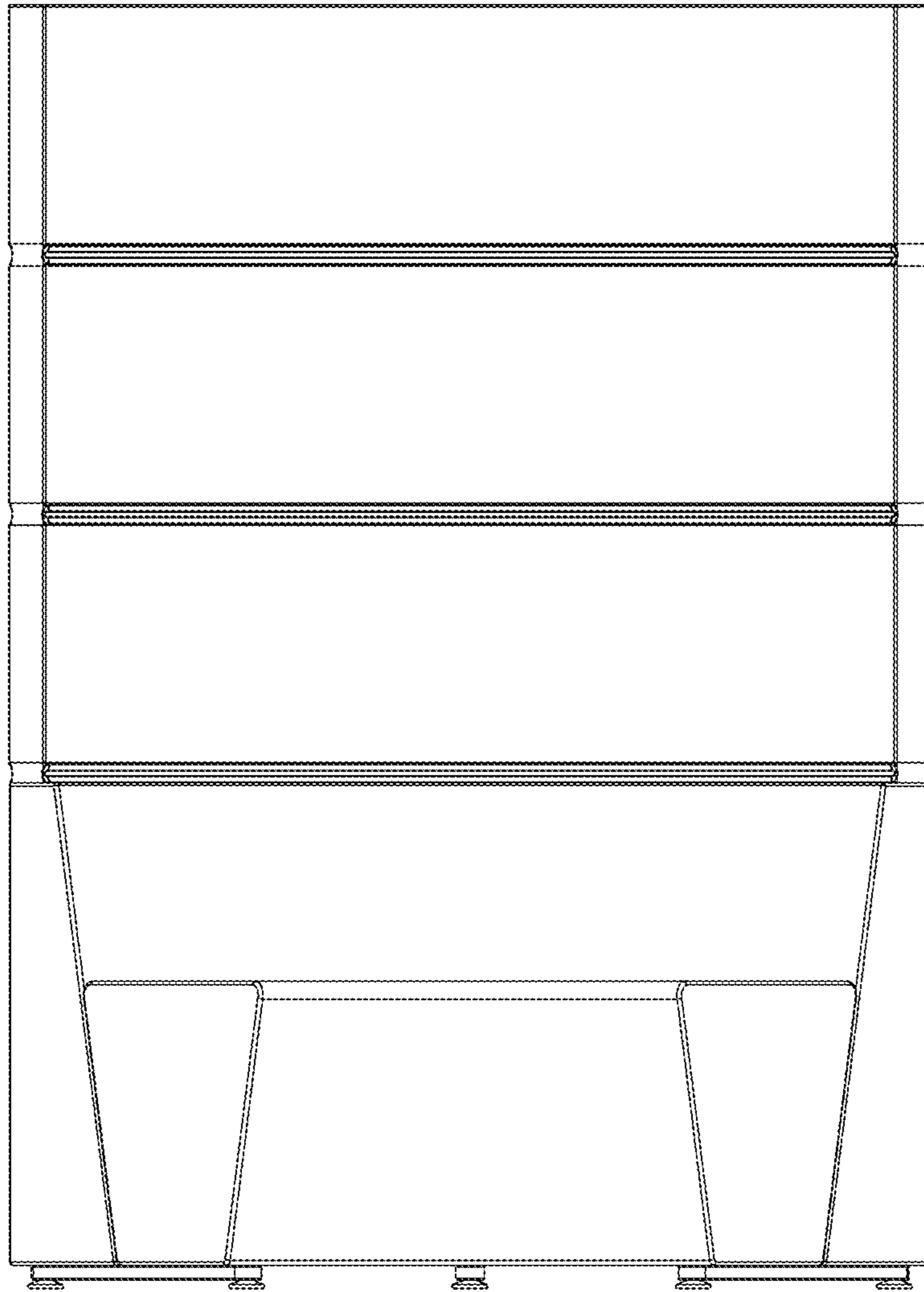


FIG. 14

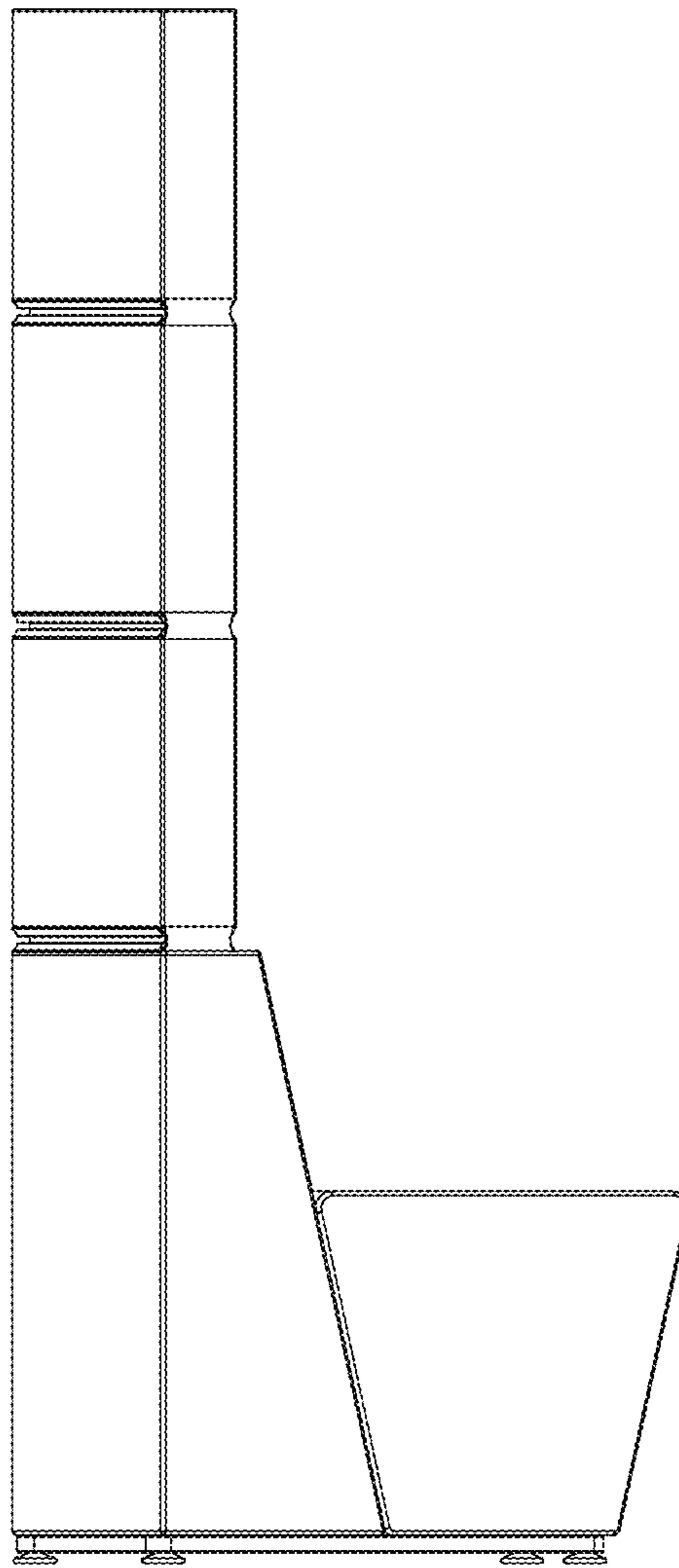


FIG. 15

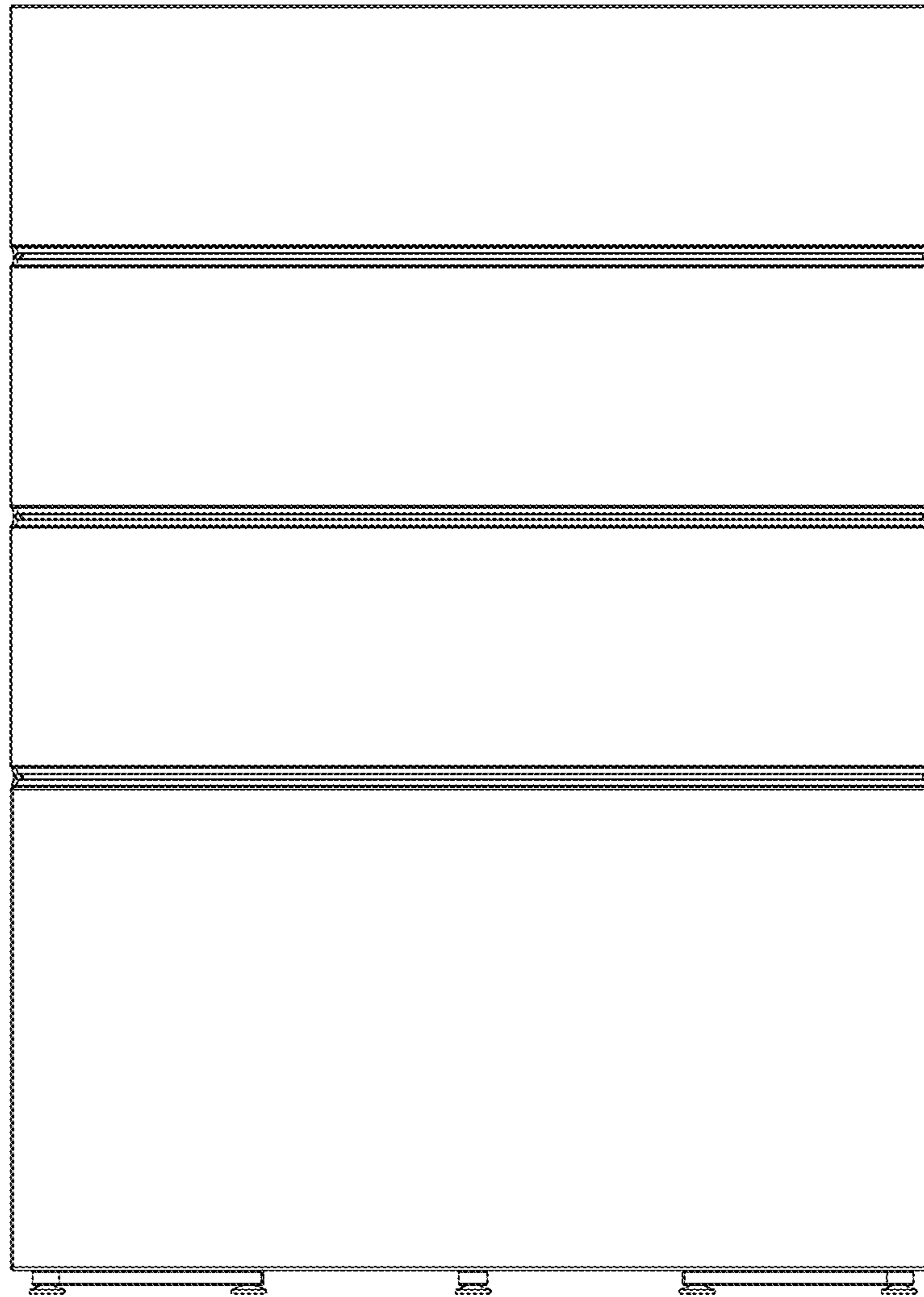


FIG. 16

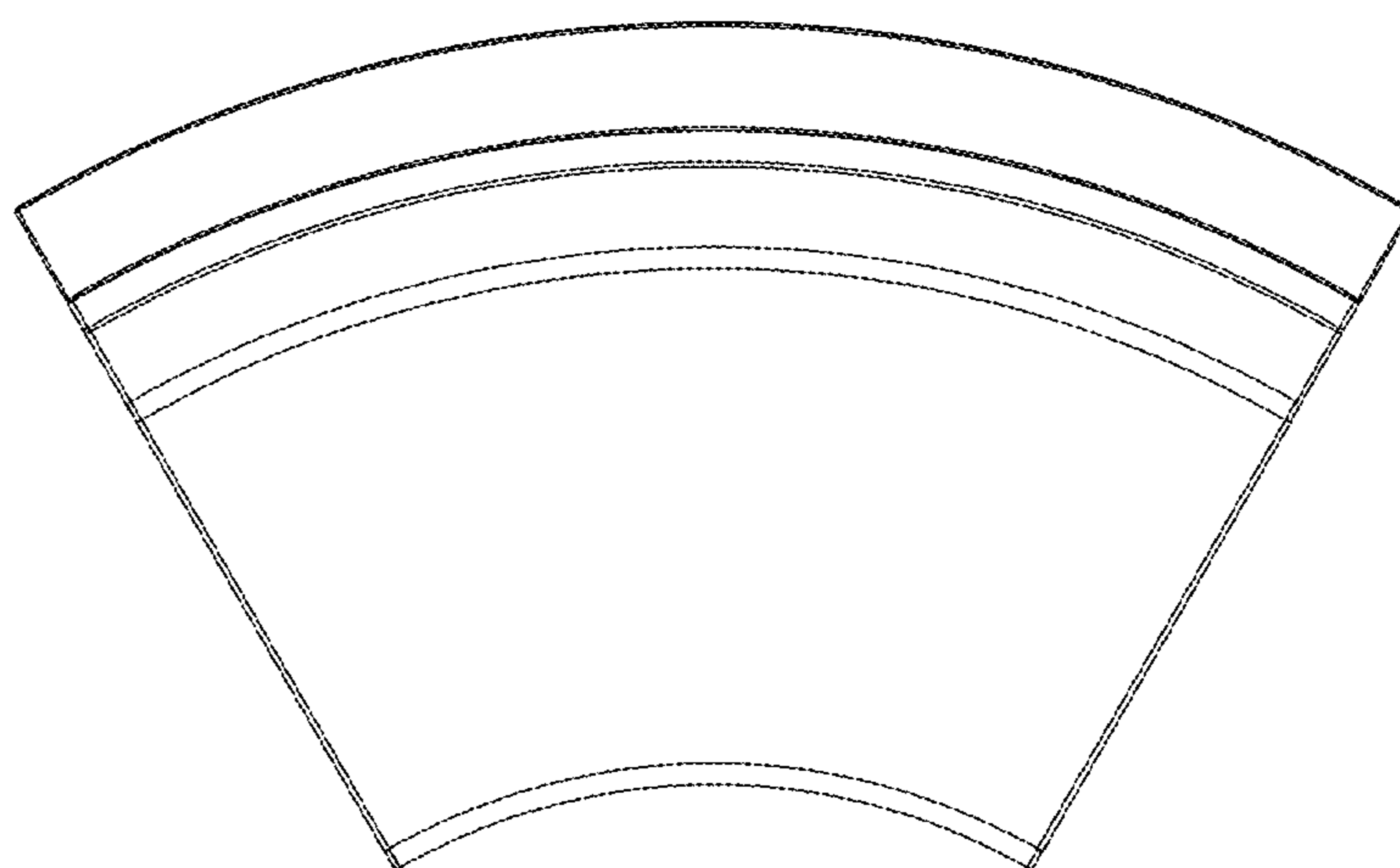


FIG. 17

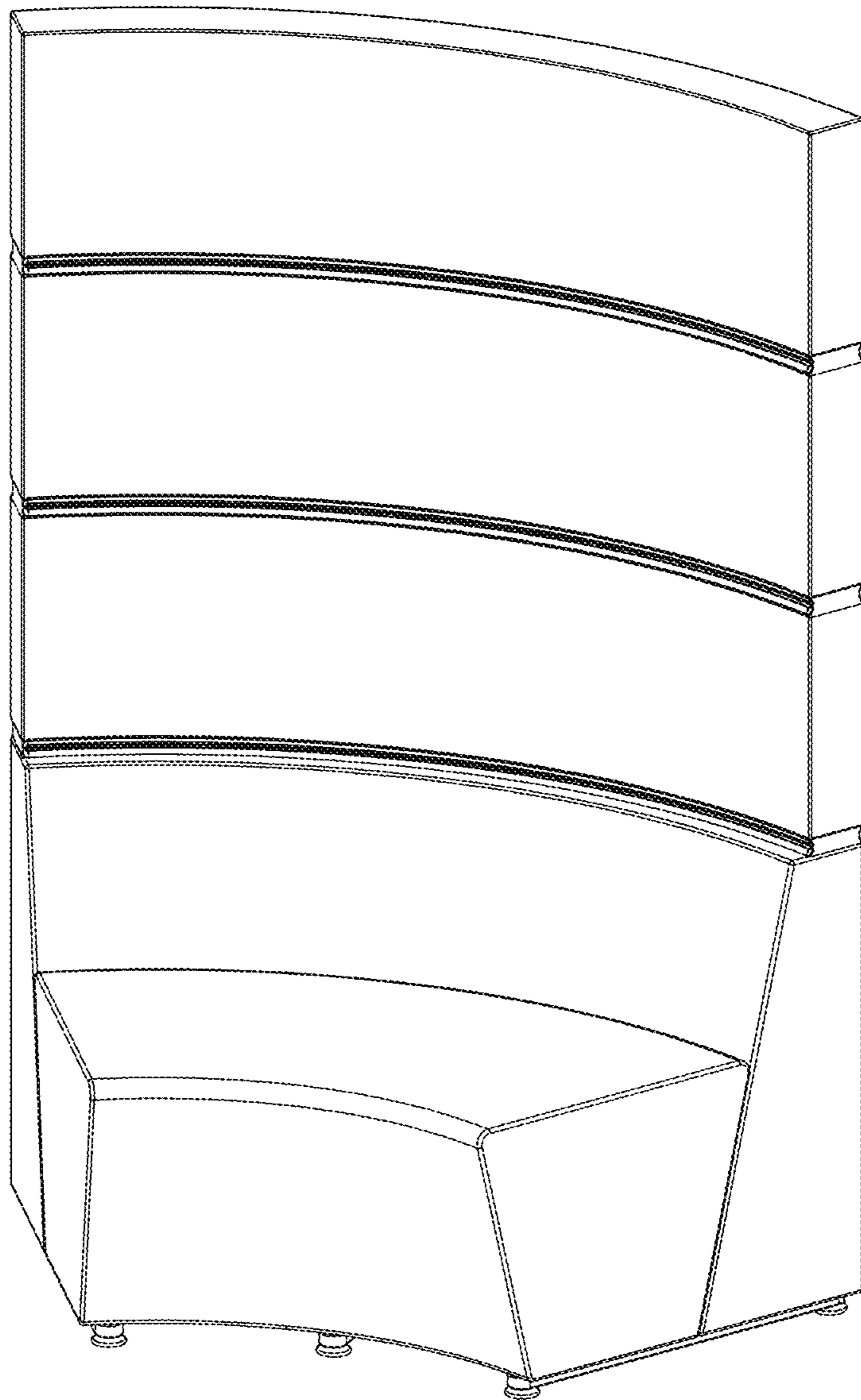


FIG. 18

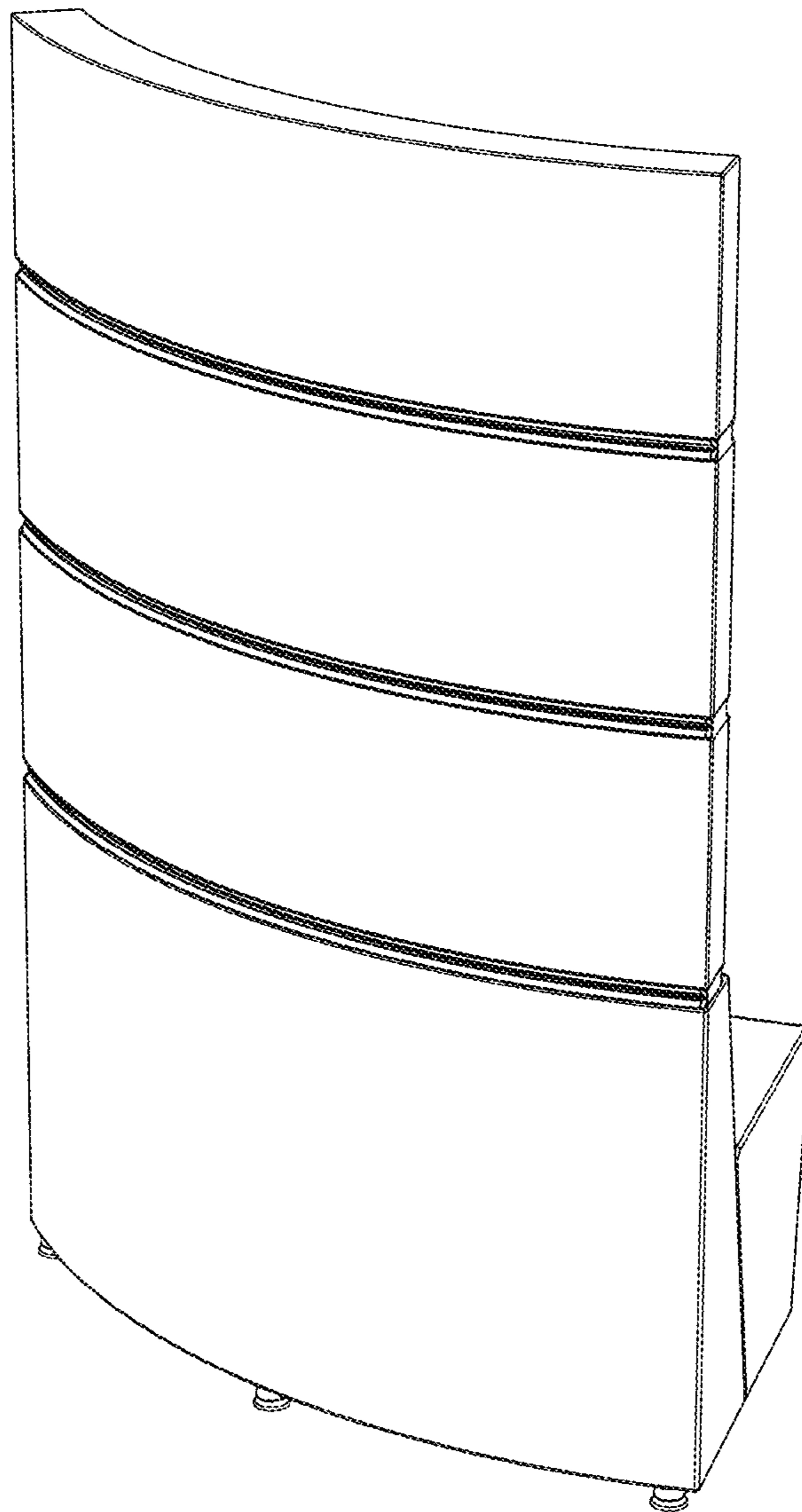


FIG. 19

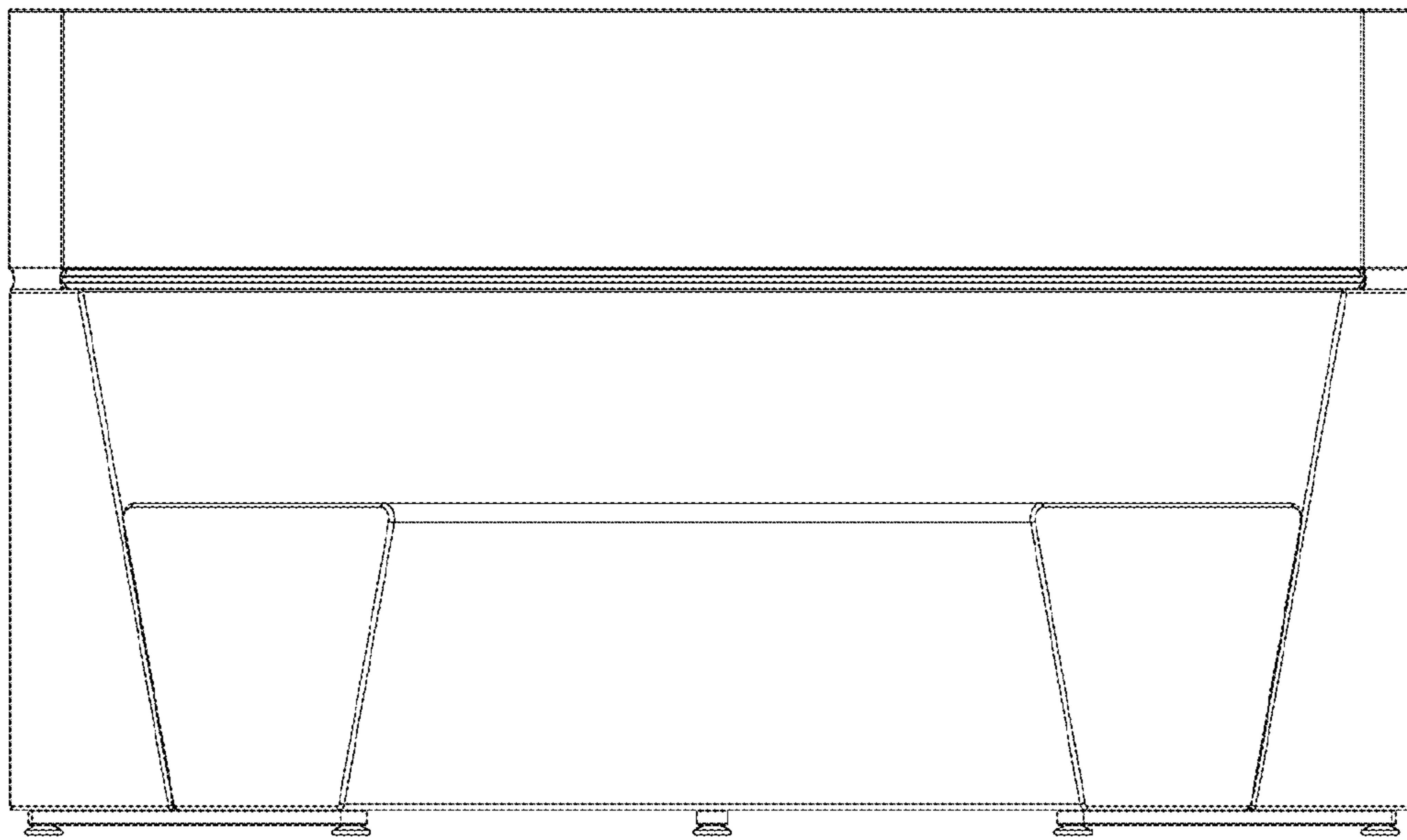


FIG. 20

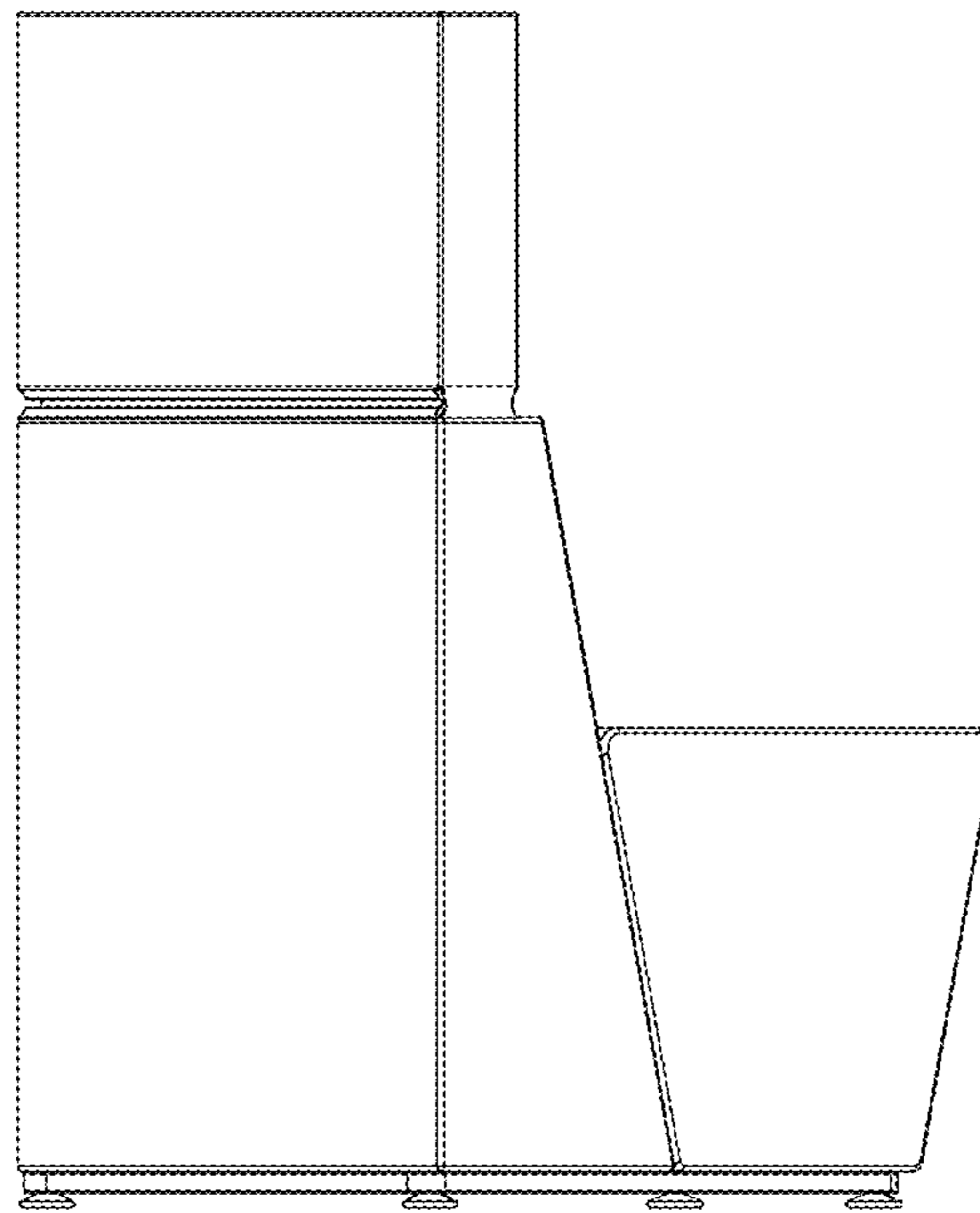


FIG. 21

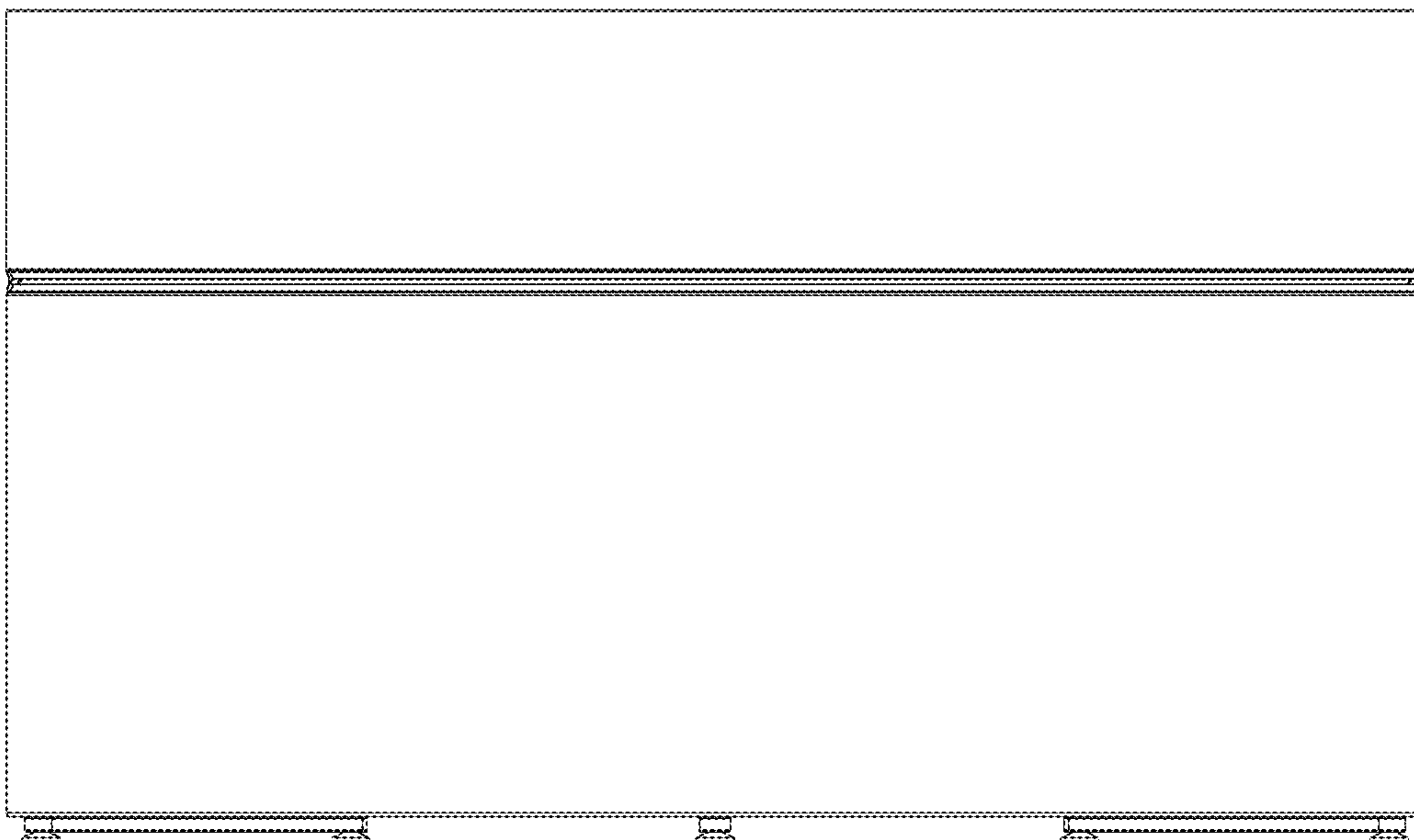


FIG. 22

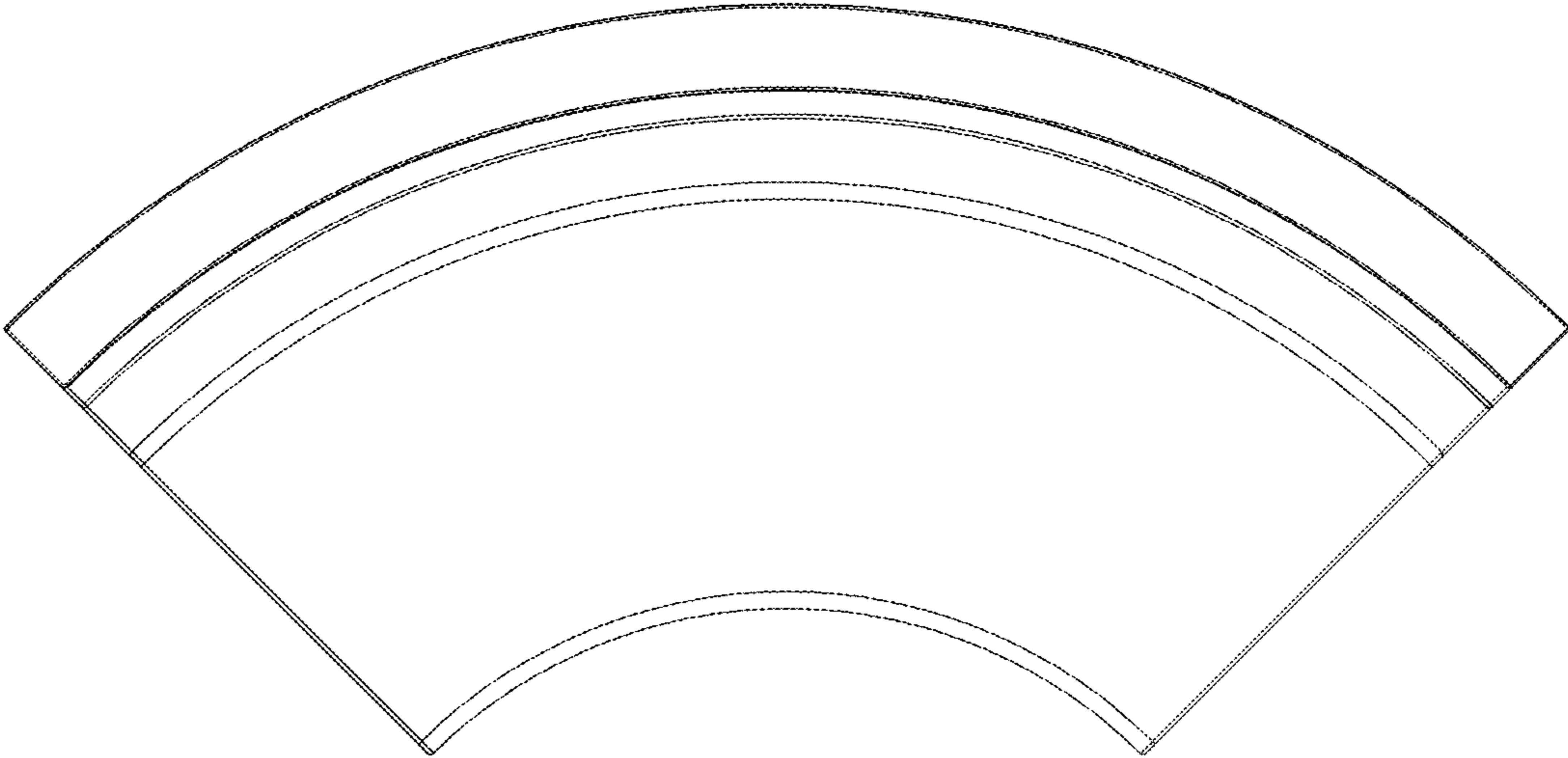


FIG. 23

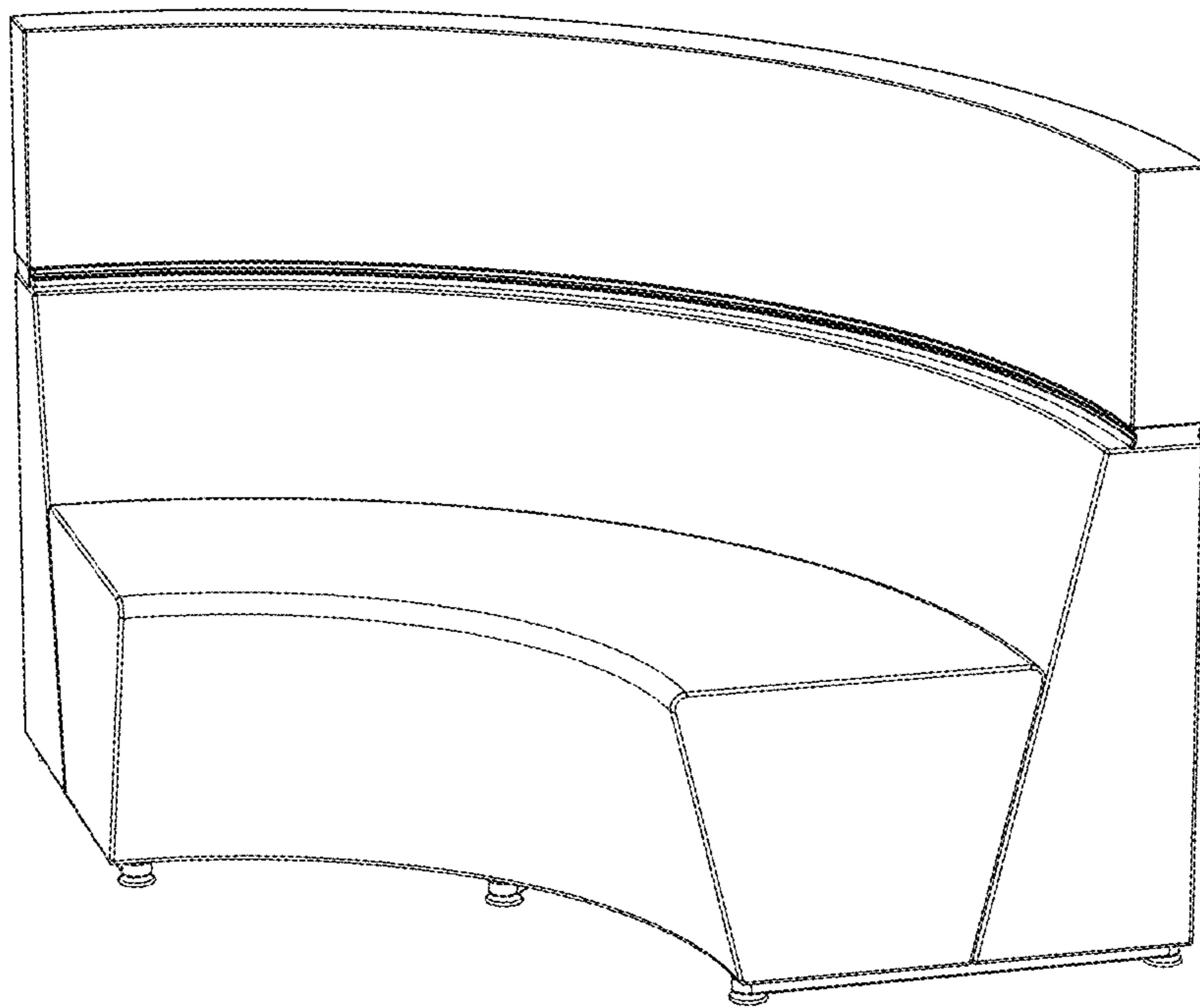


FIG. 24

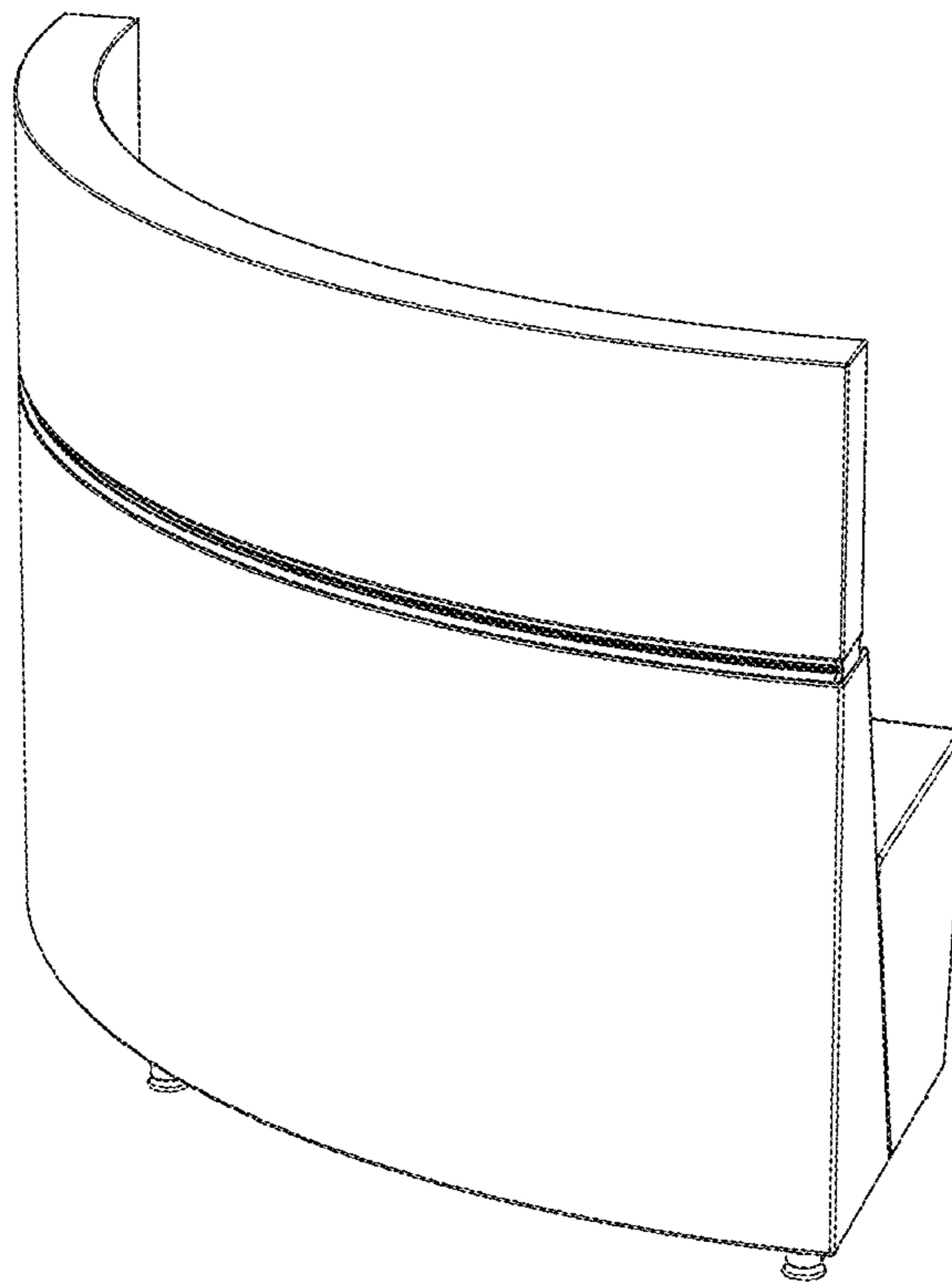


FIG. 25

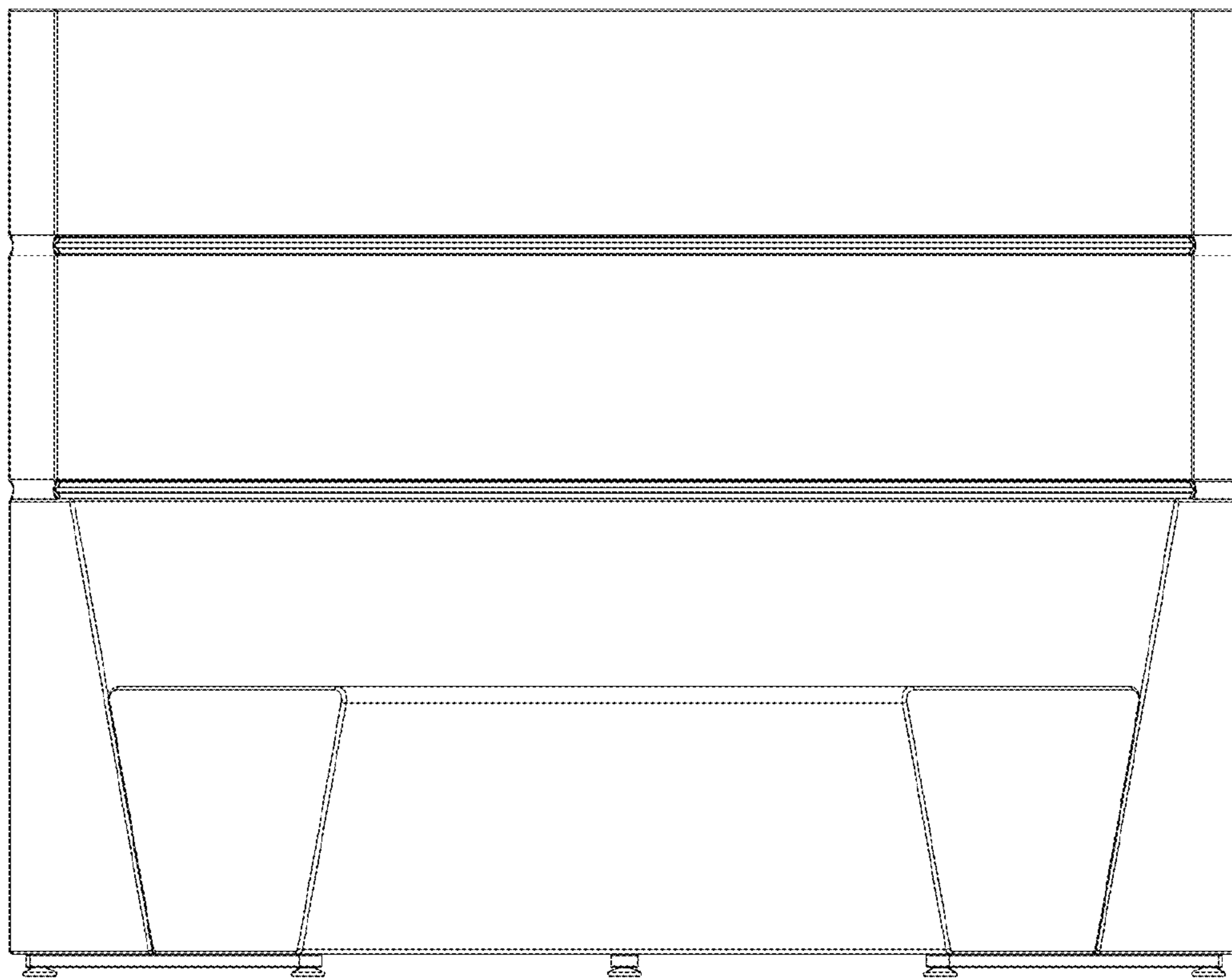


FIG. 26

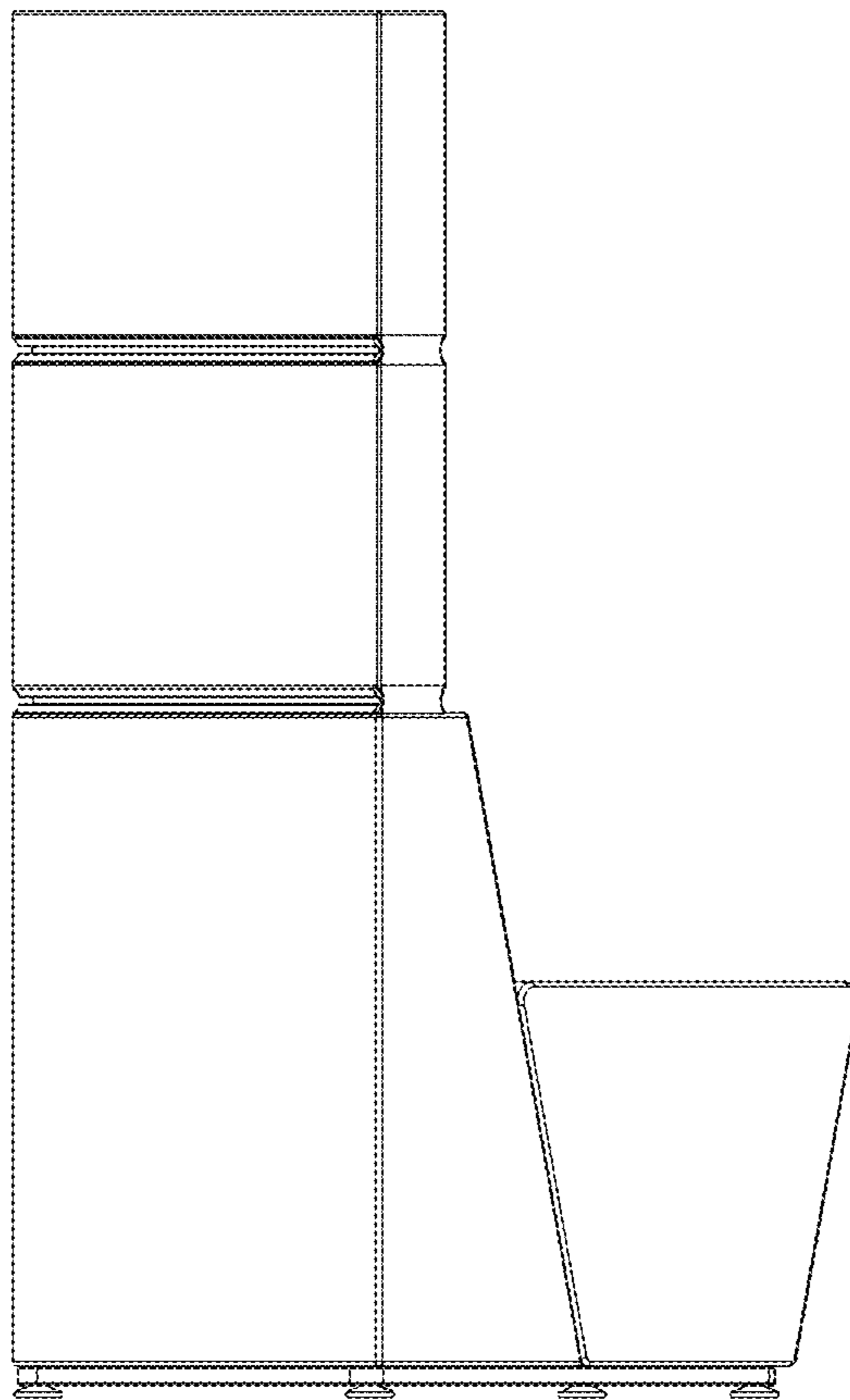


FIG. 27



FIG. 28

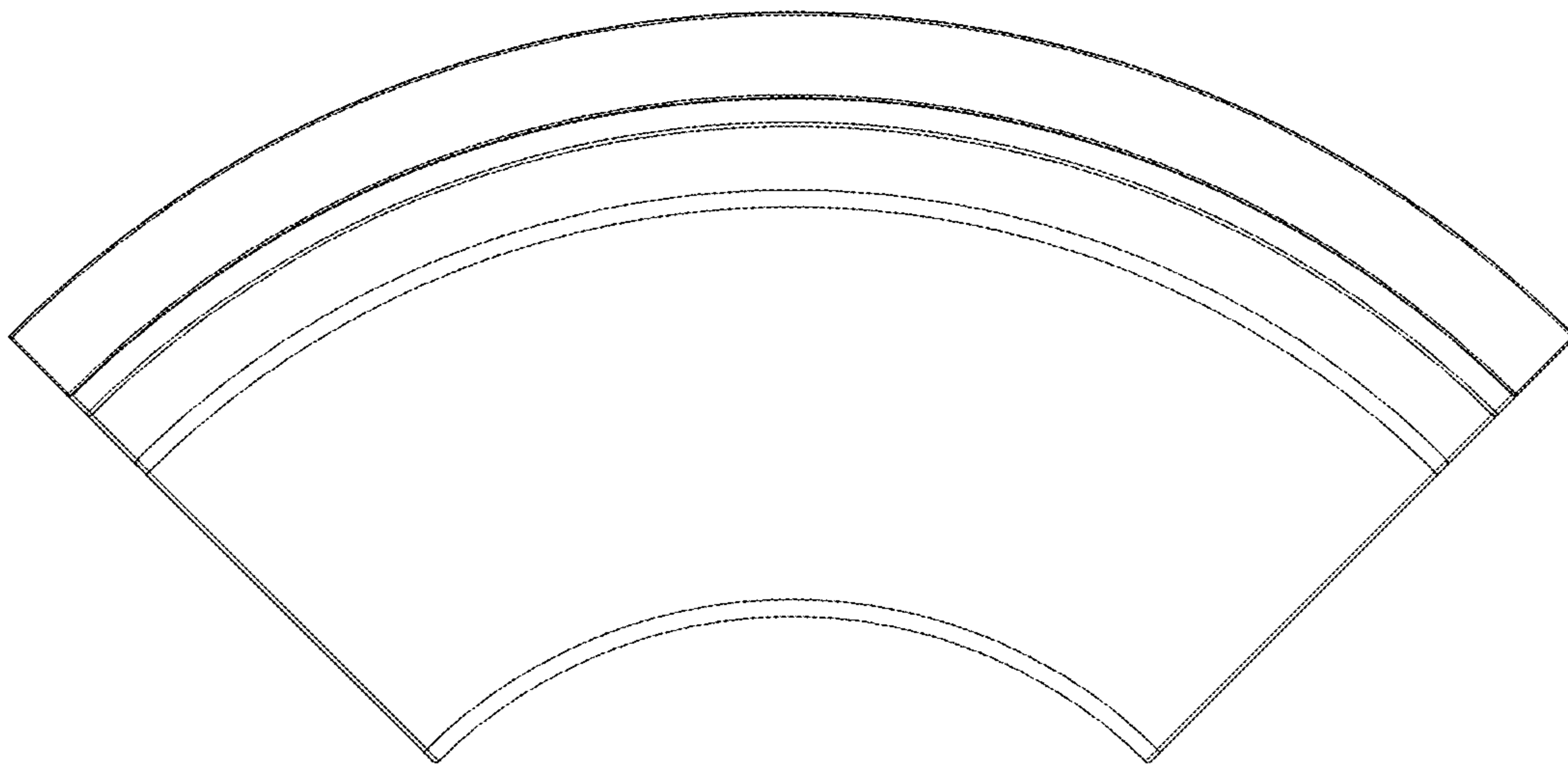


FIG. 29

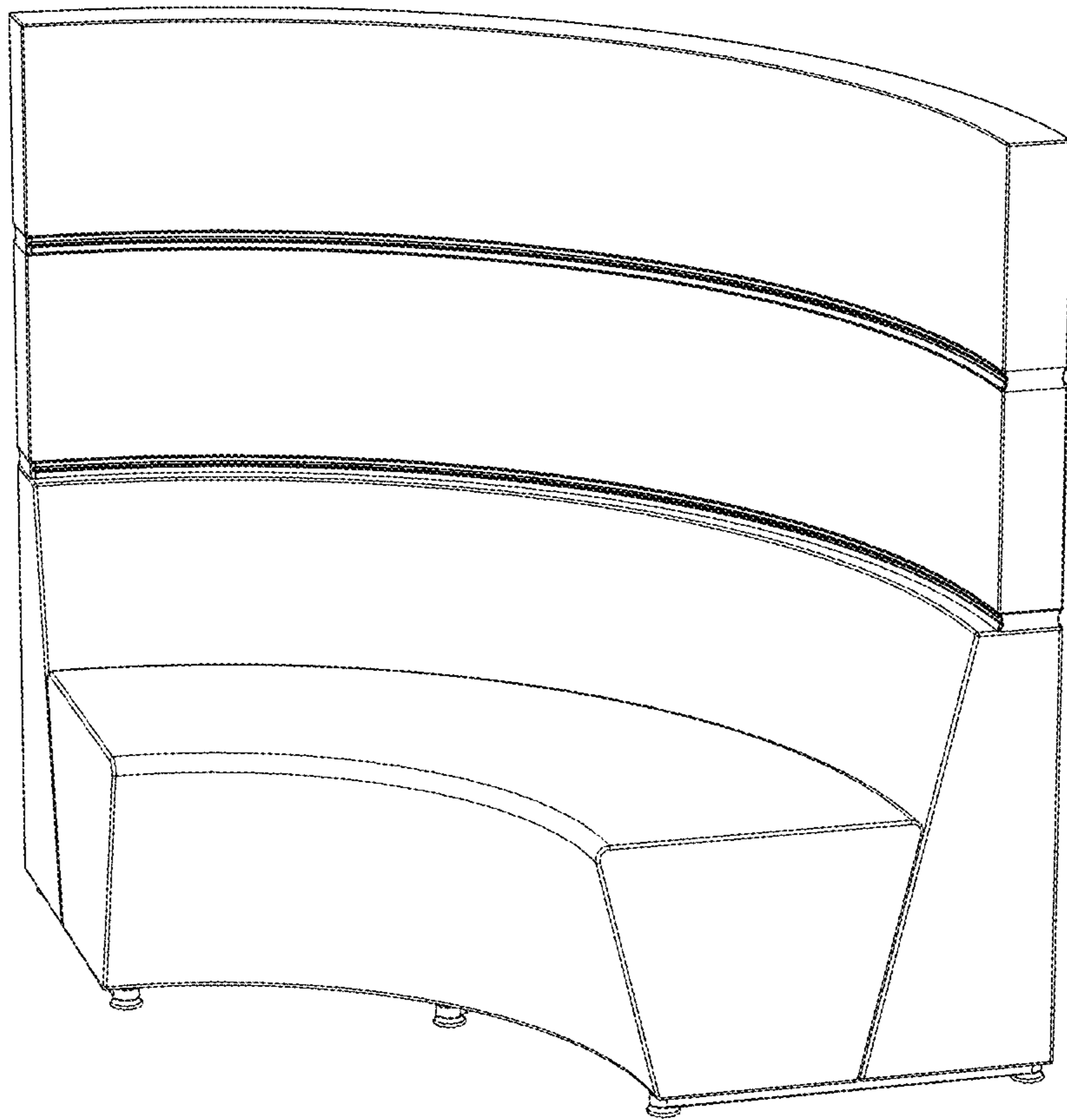


FIG. 30

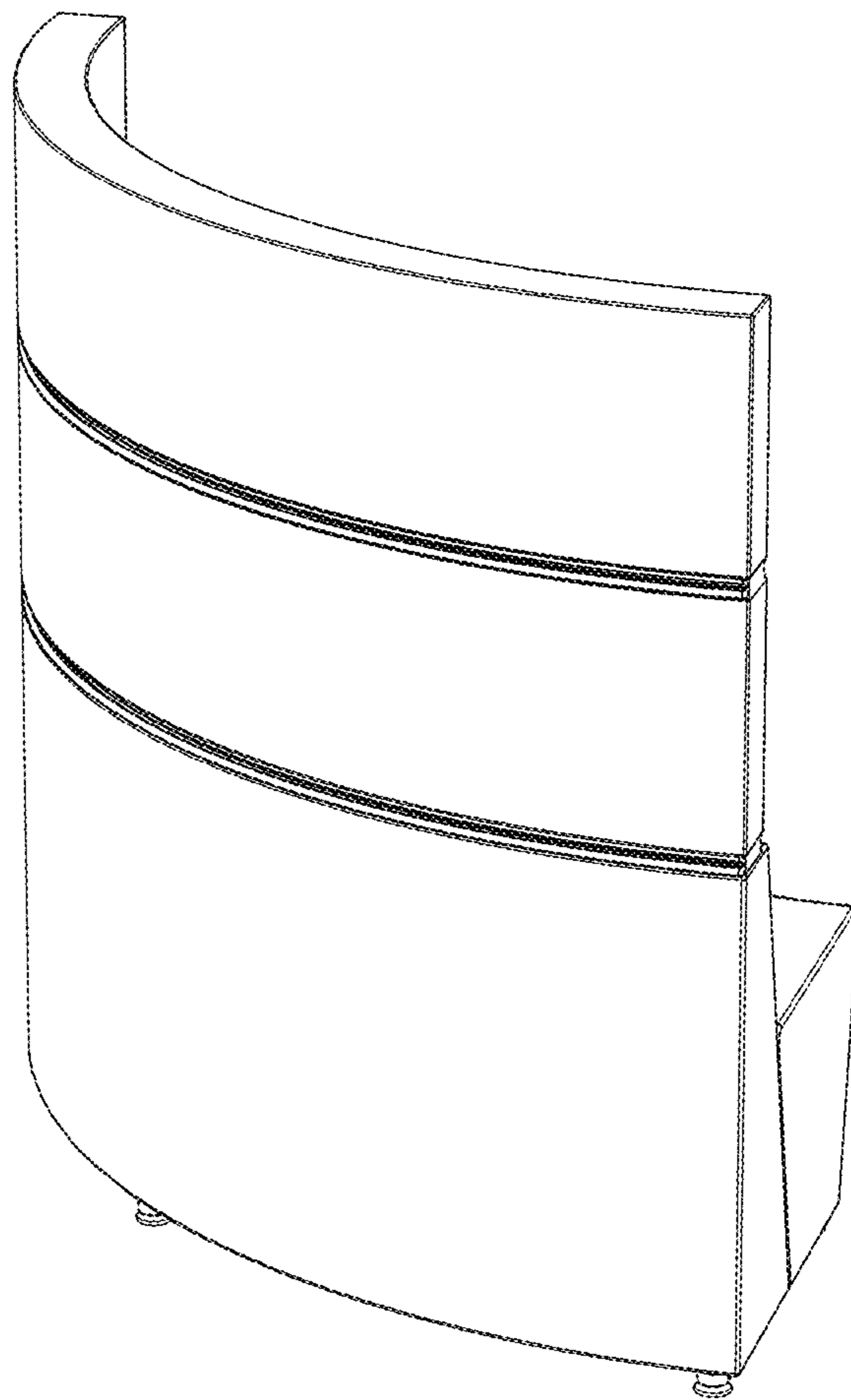


FIG. 31

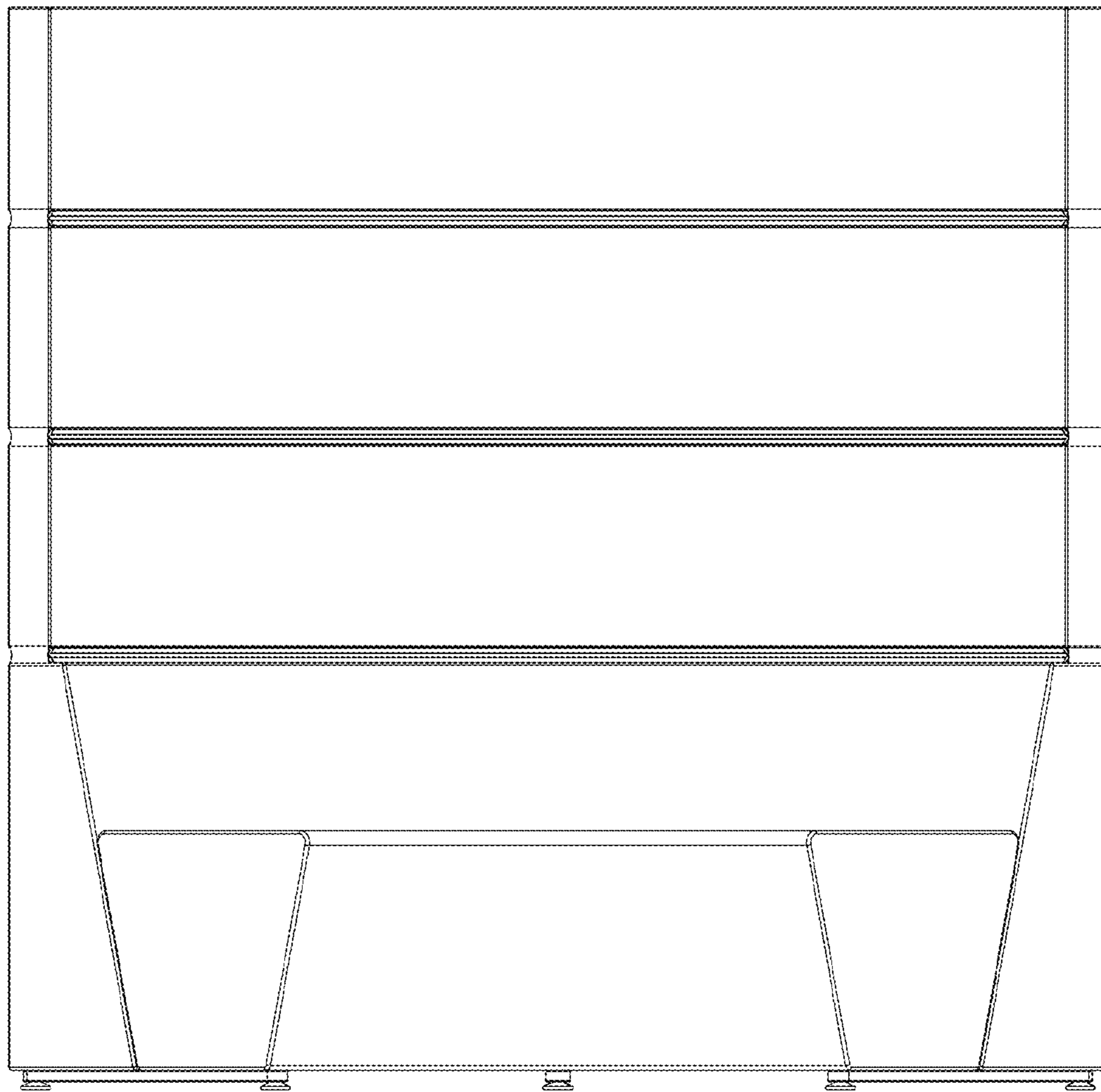


FIG. 32

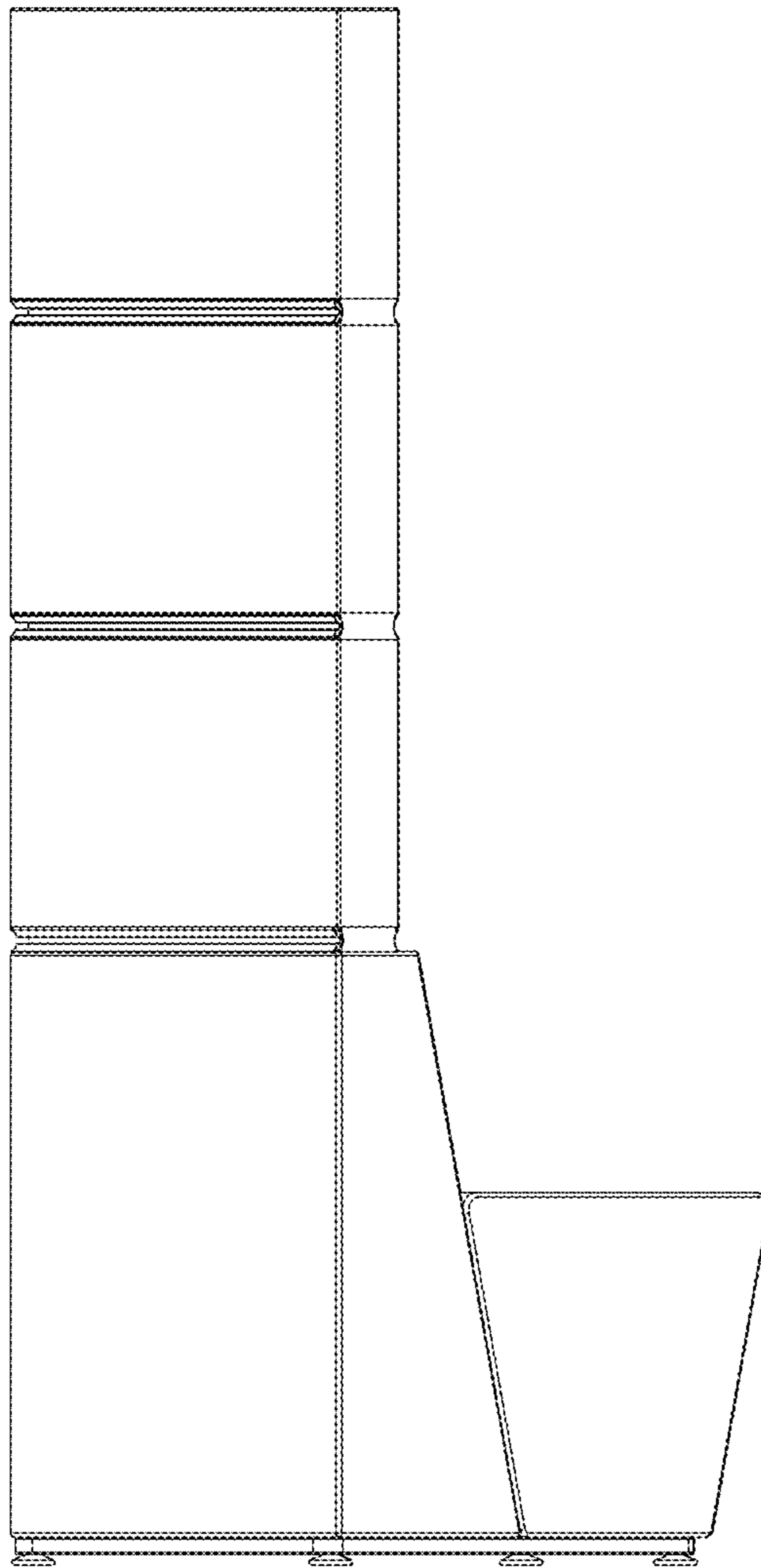


FIG. 33



FIG. 34

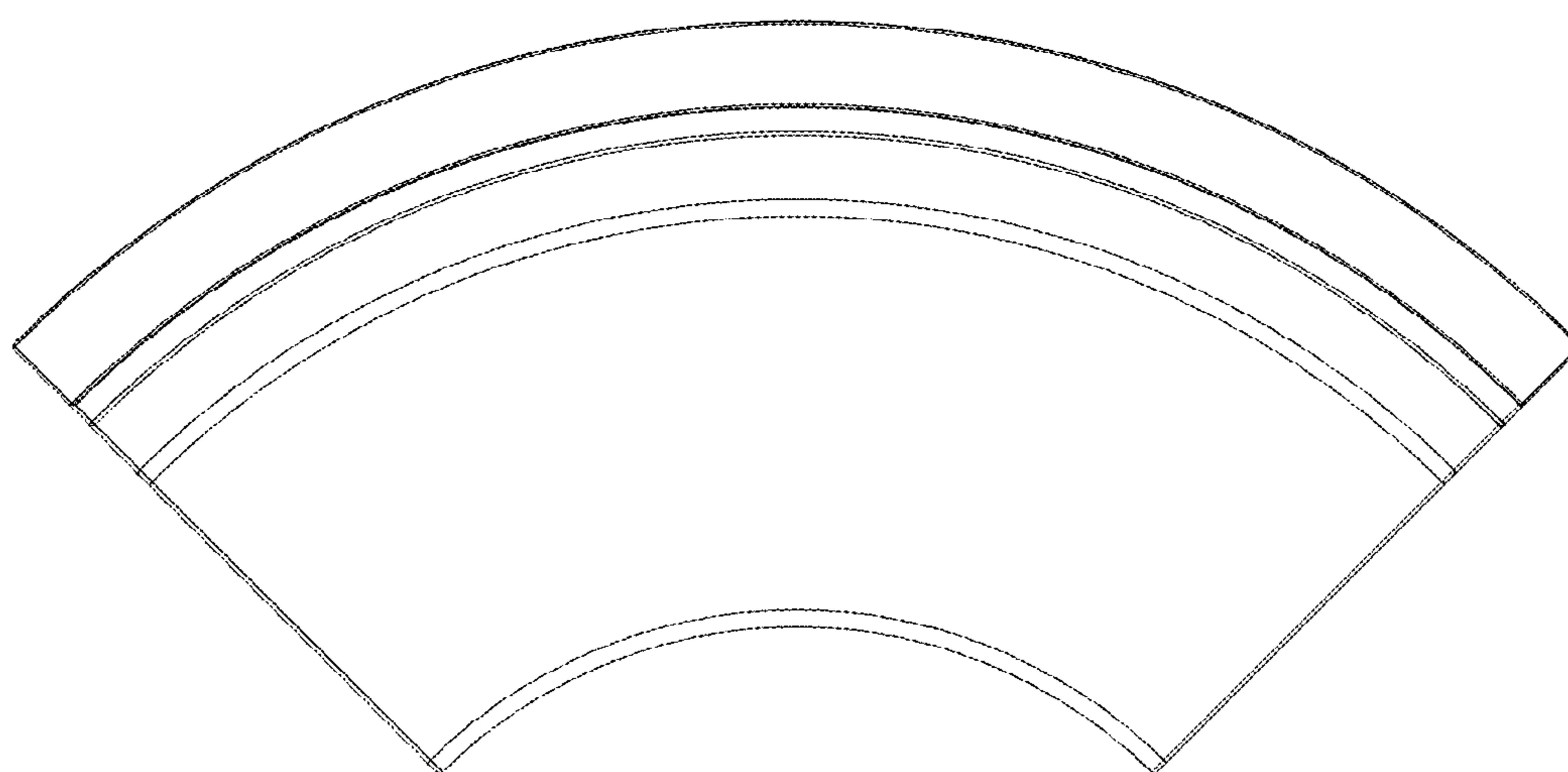


FIG. 35

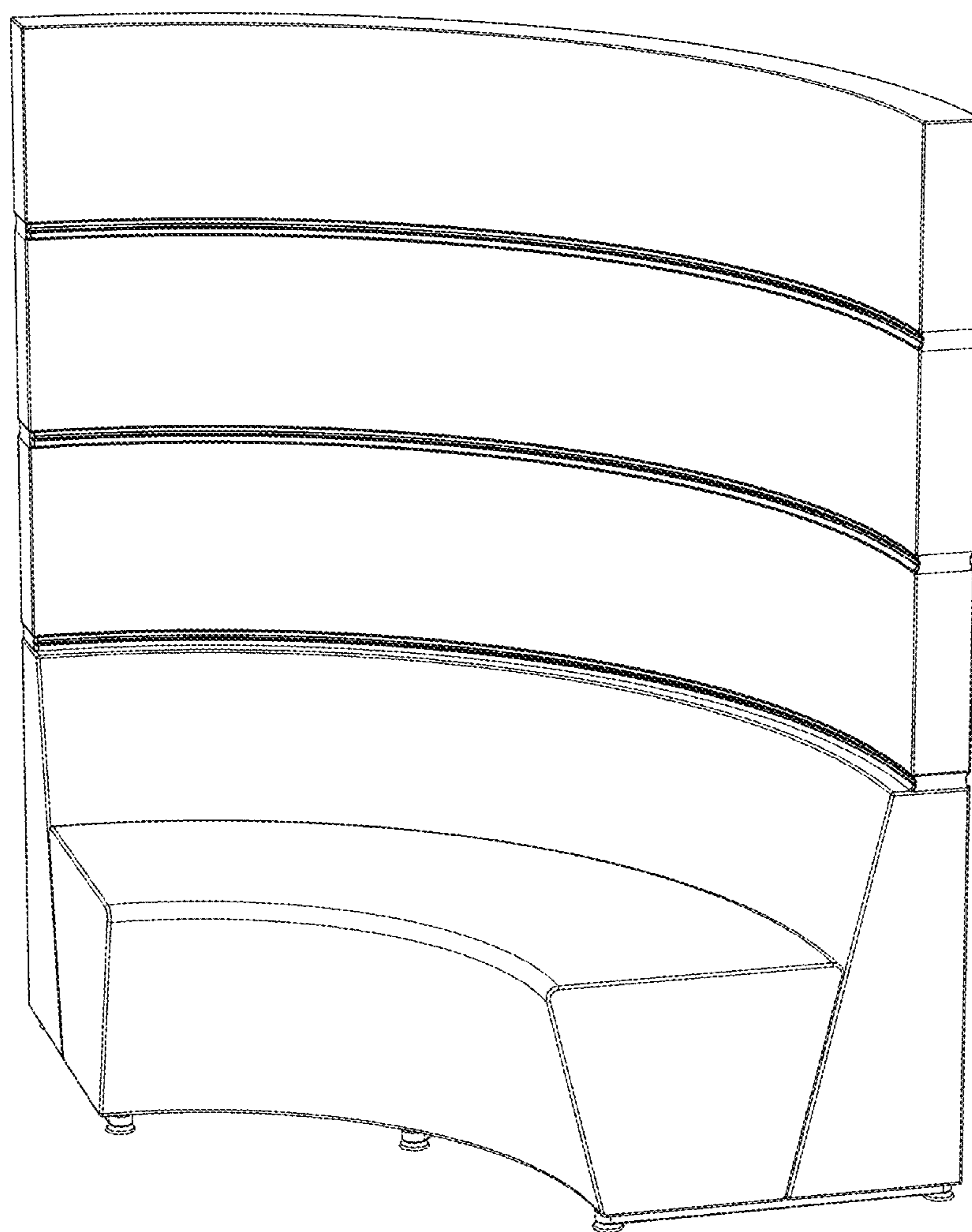


FIG. 36

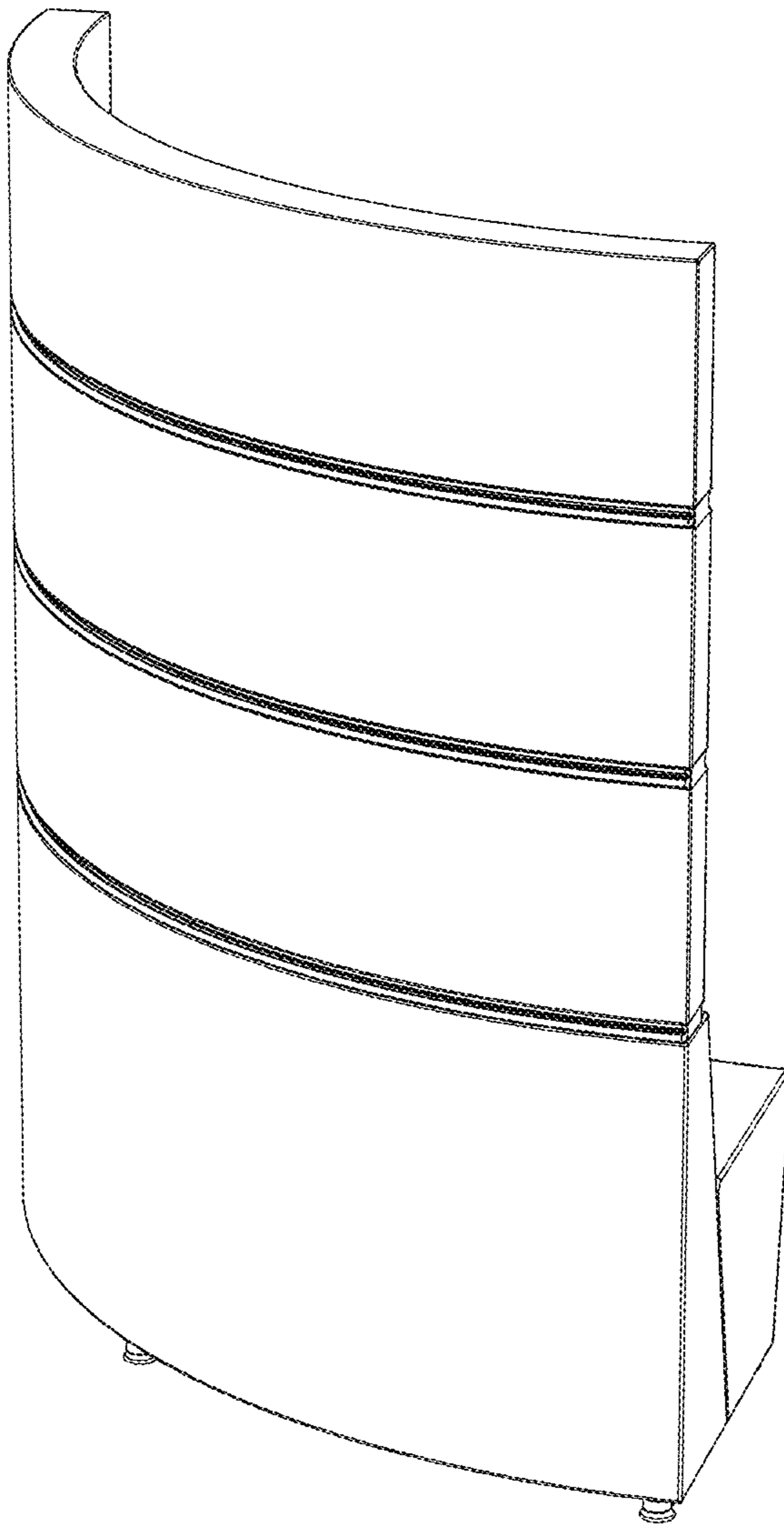


FIG. 37

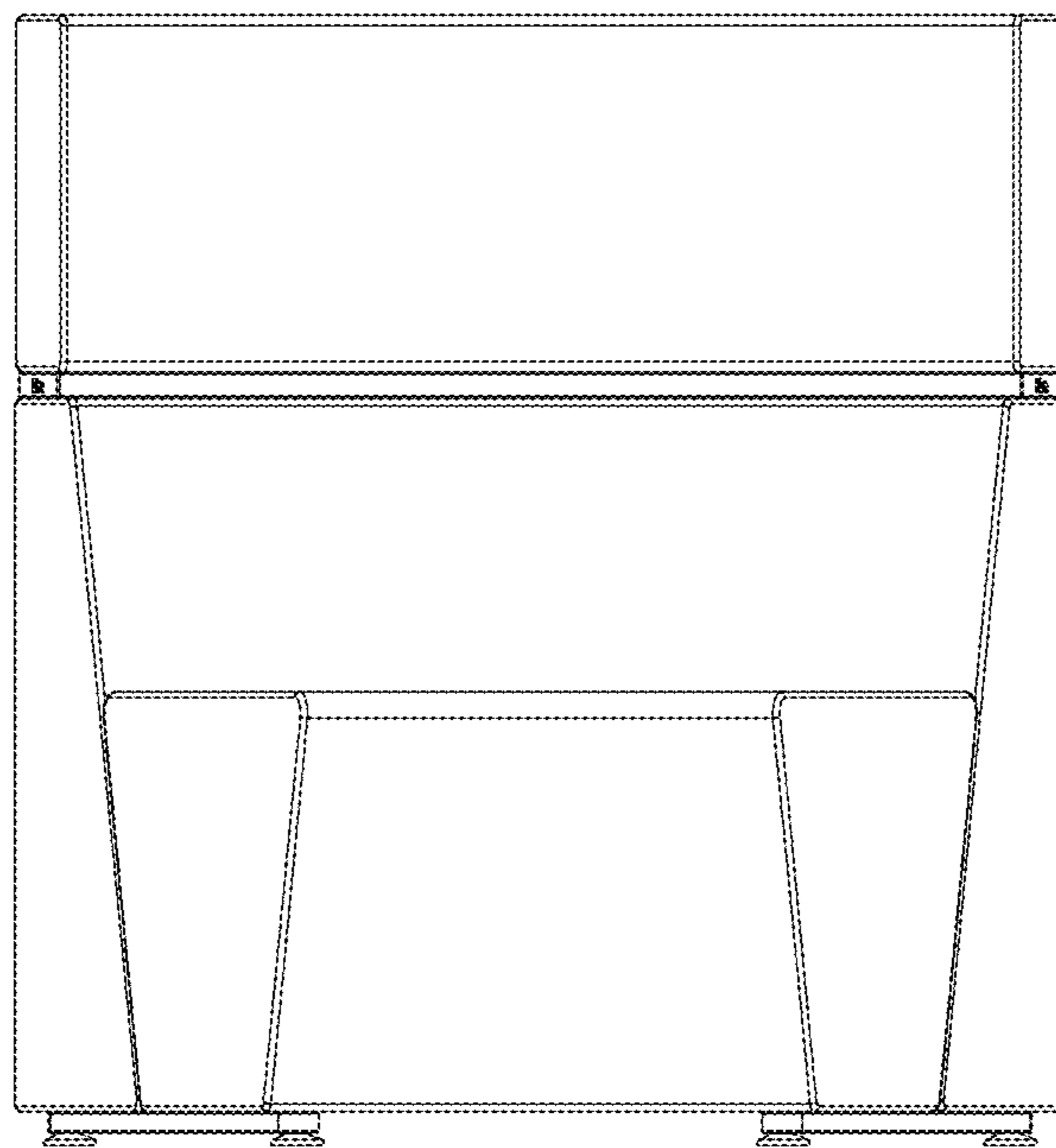


FIG. 38

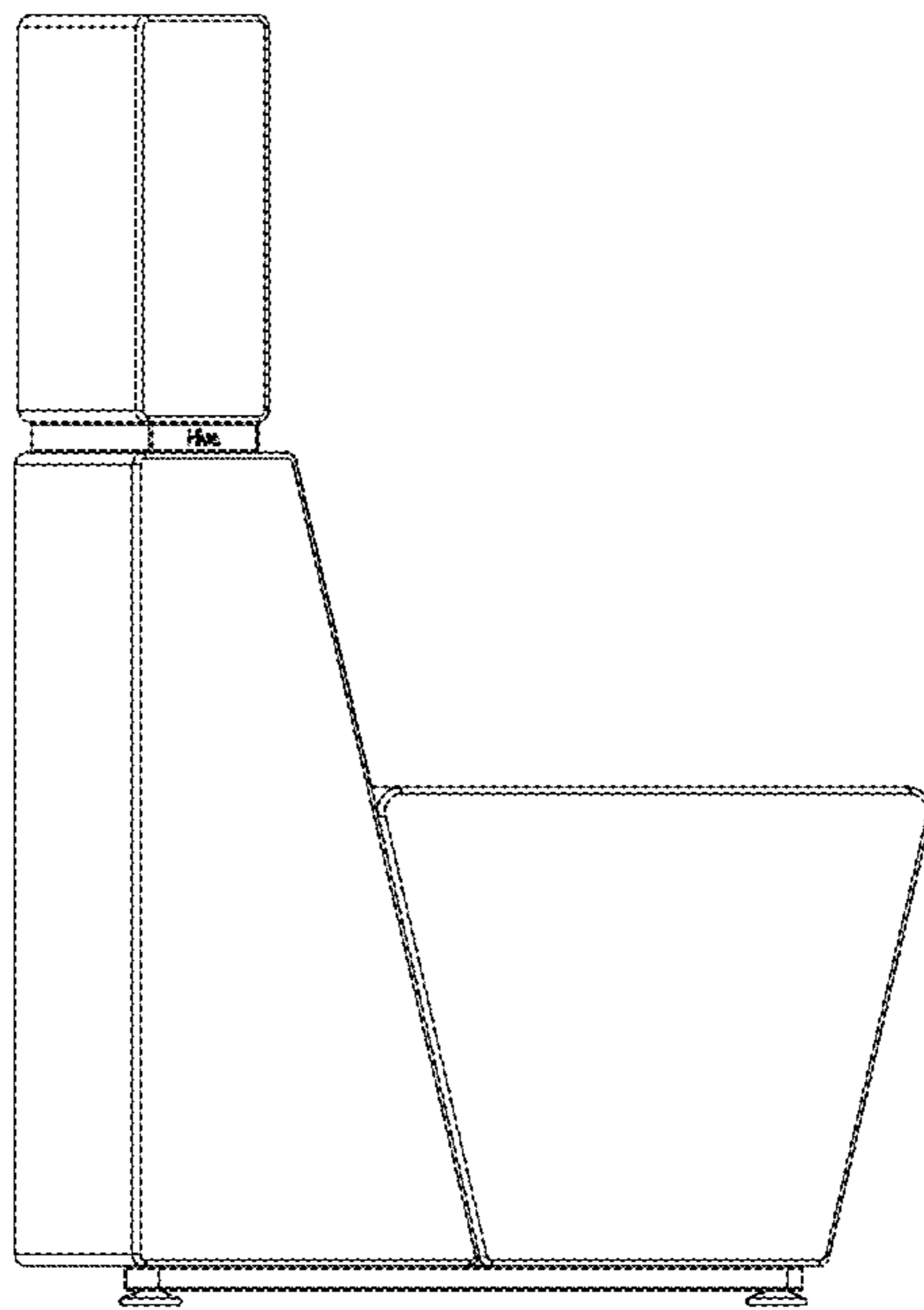


FIG. 39

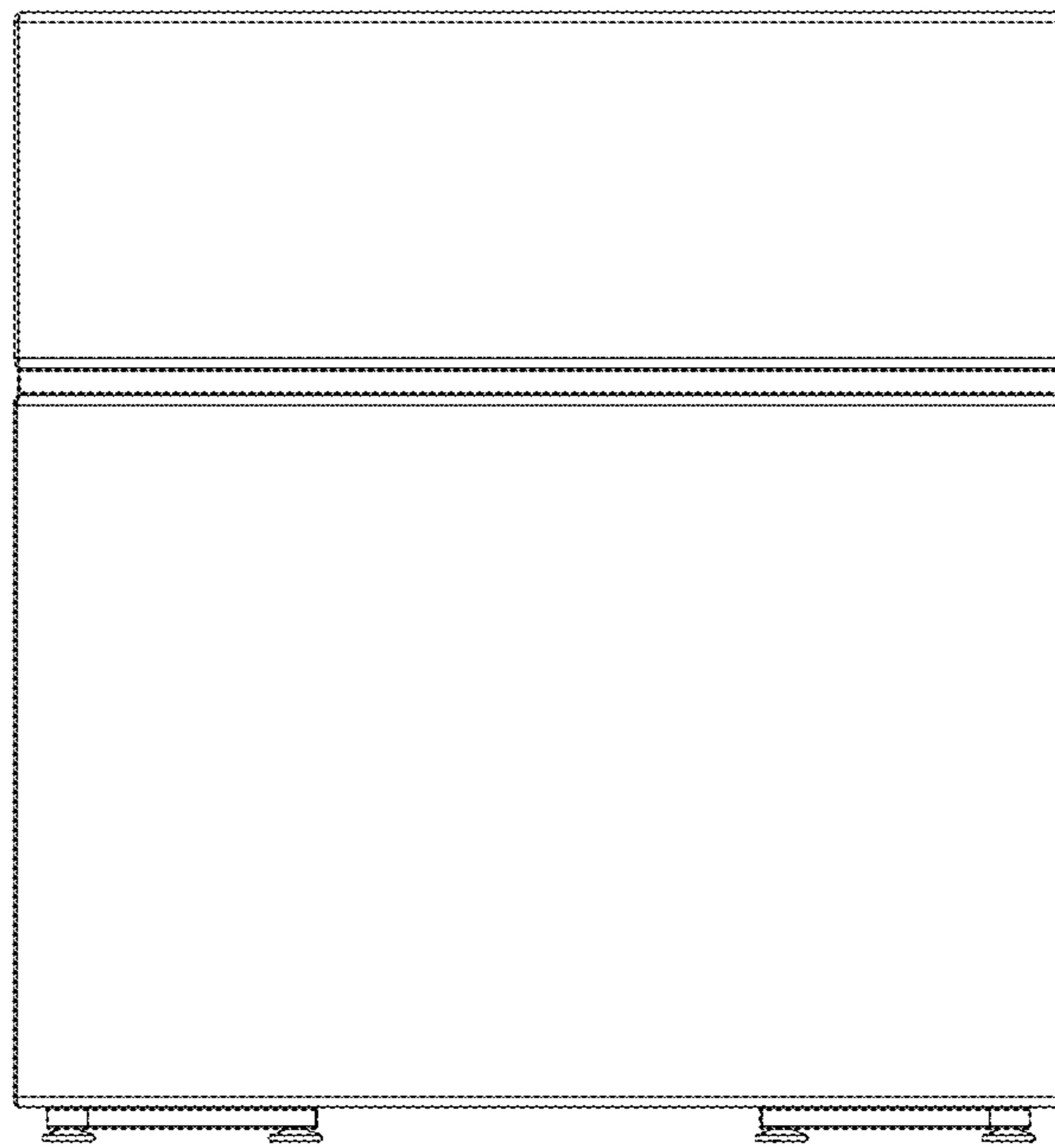


FIG. 40

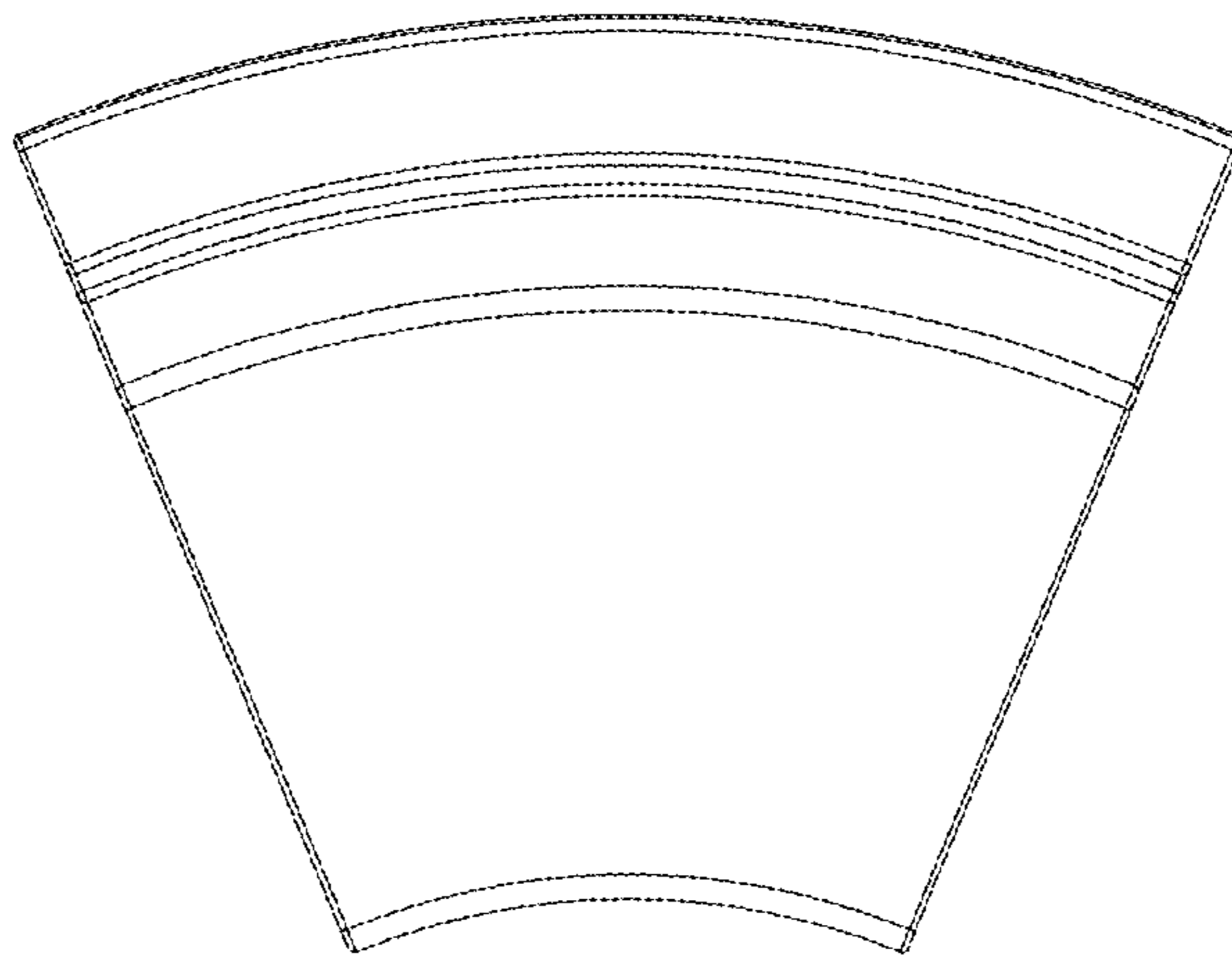


FIG. 41

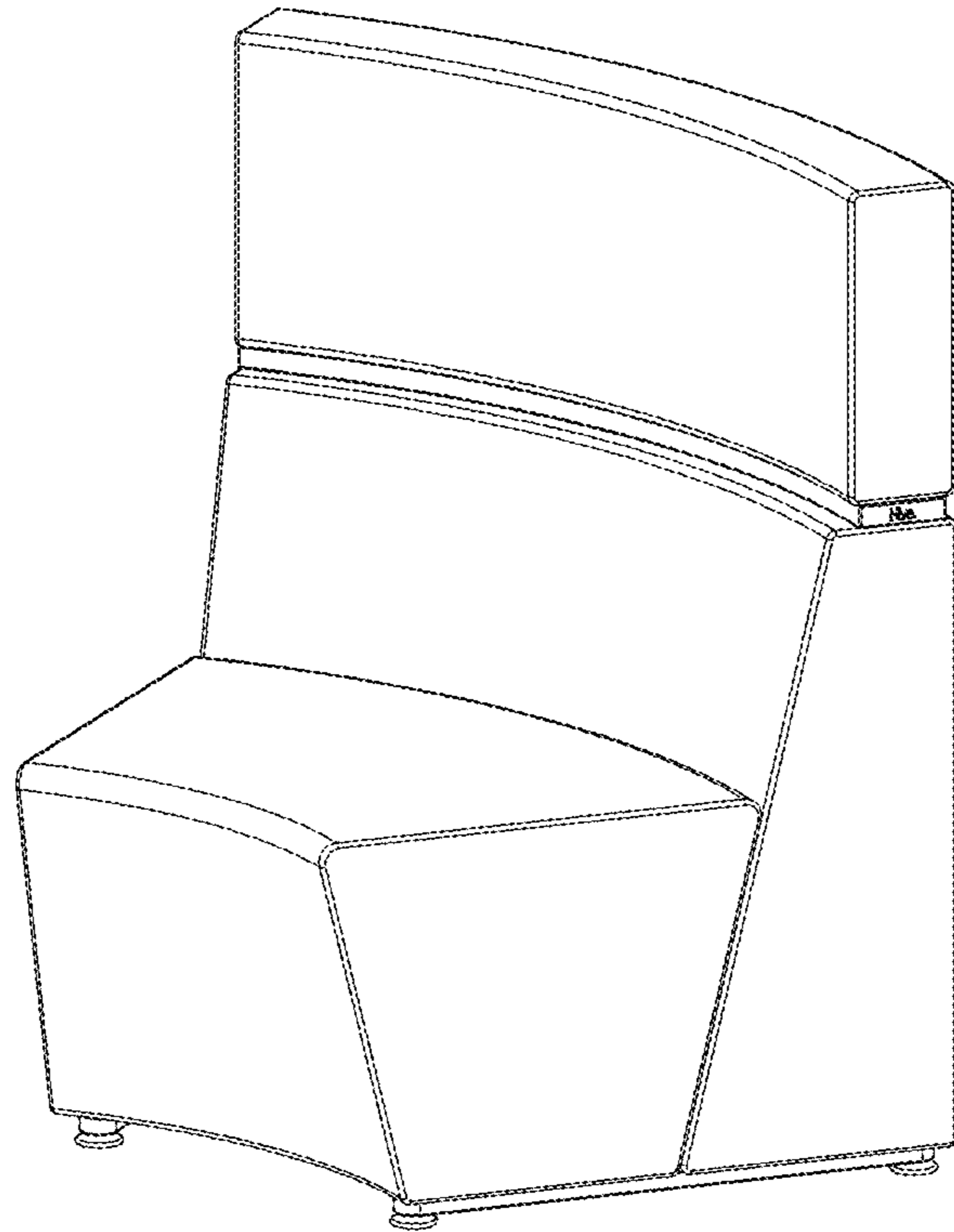


FIG. 42

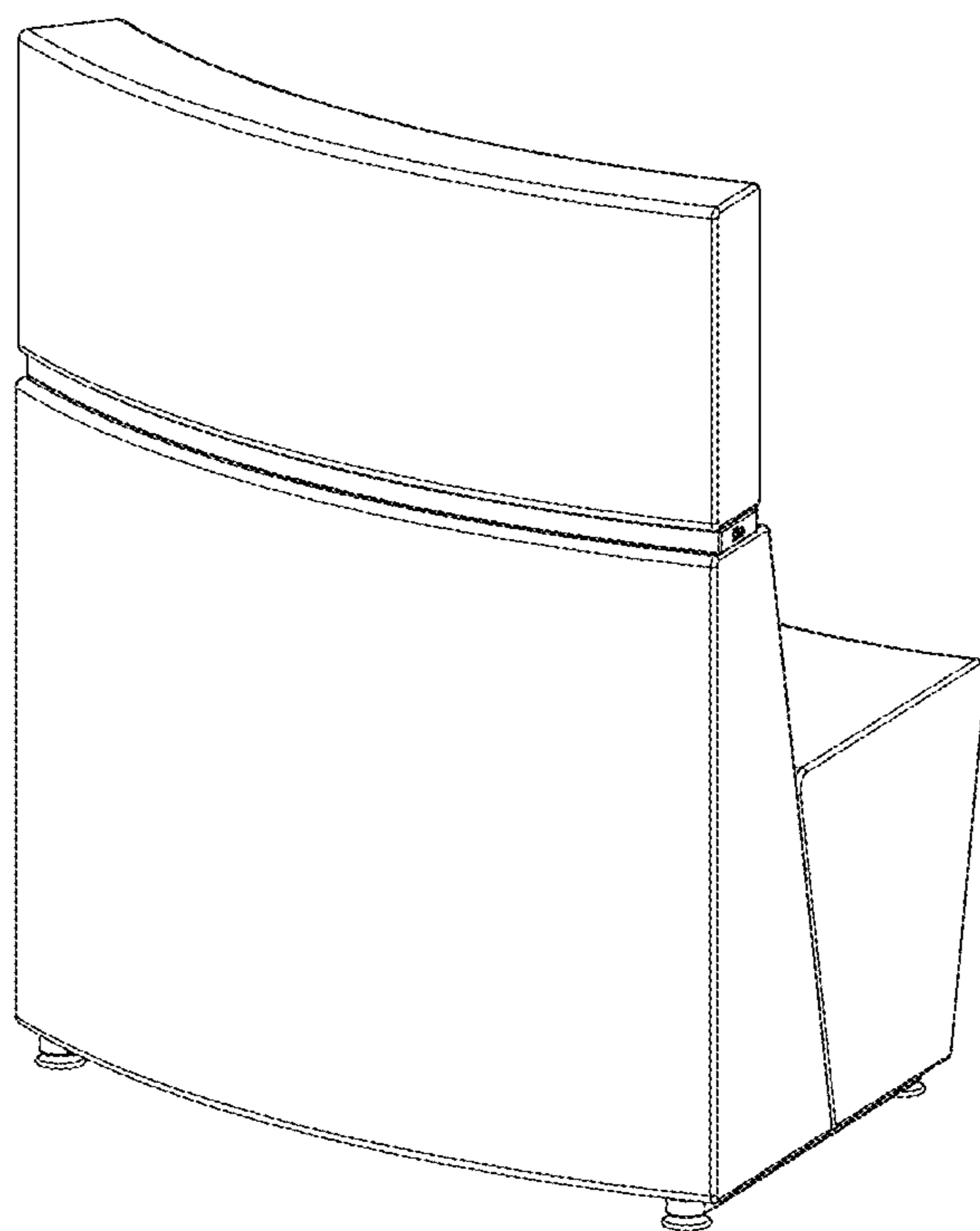


FIG. 43

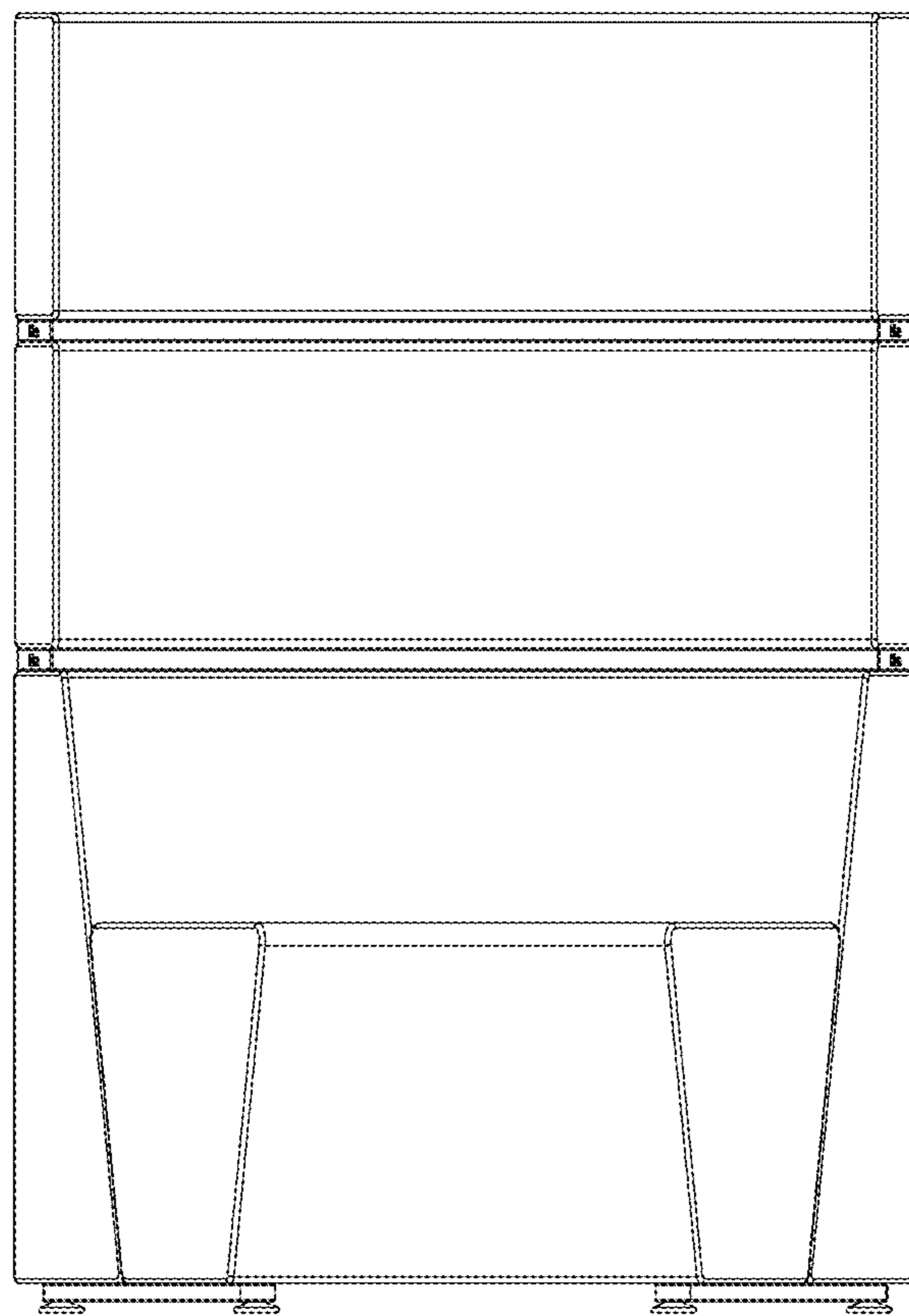


FIG. 44

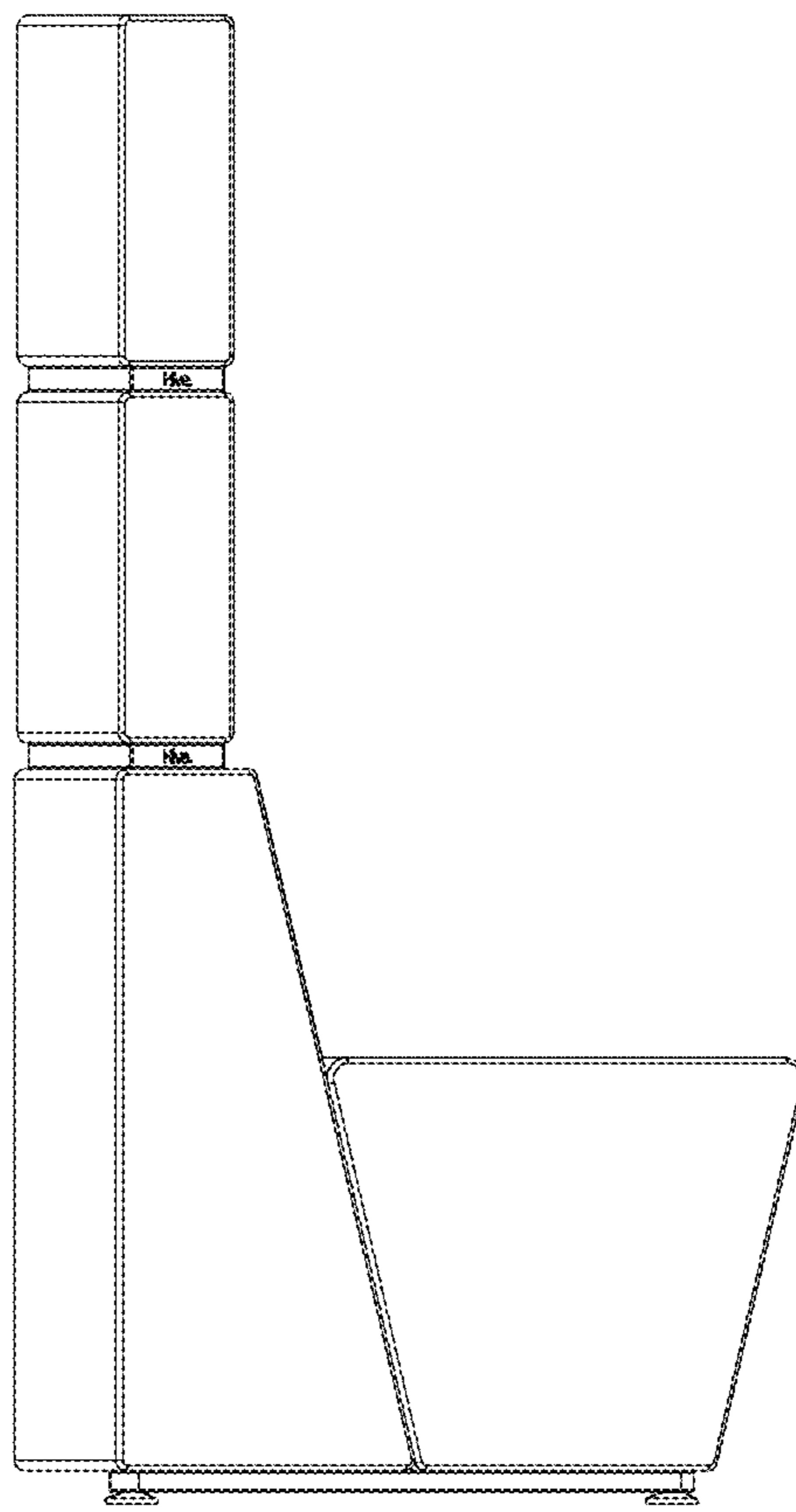


FIG. 45

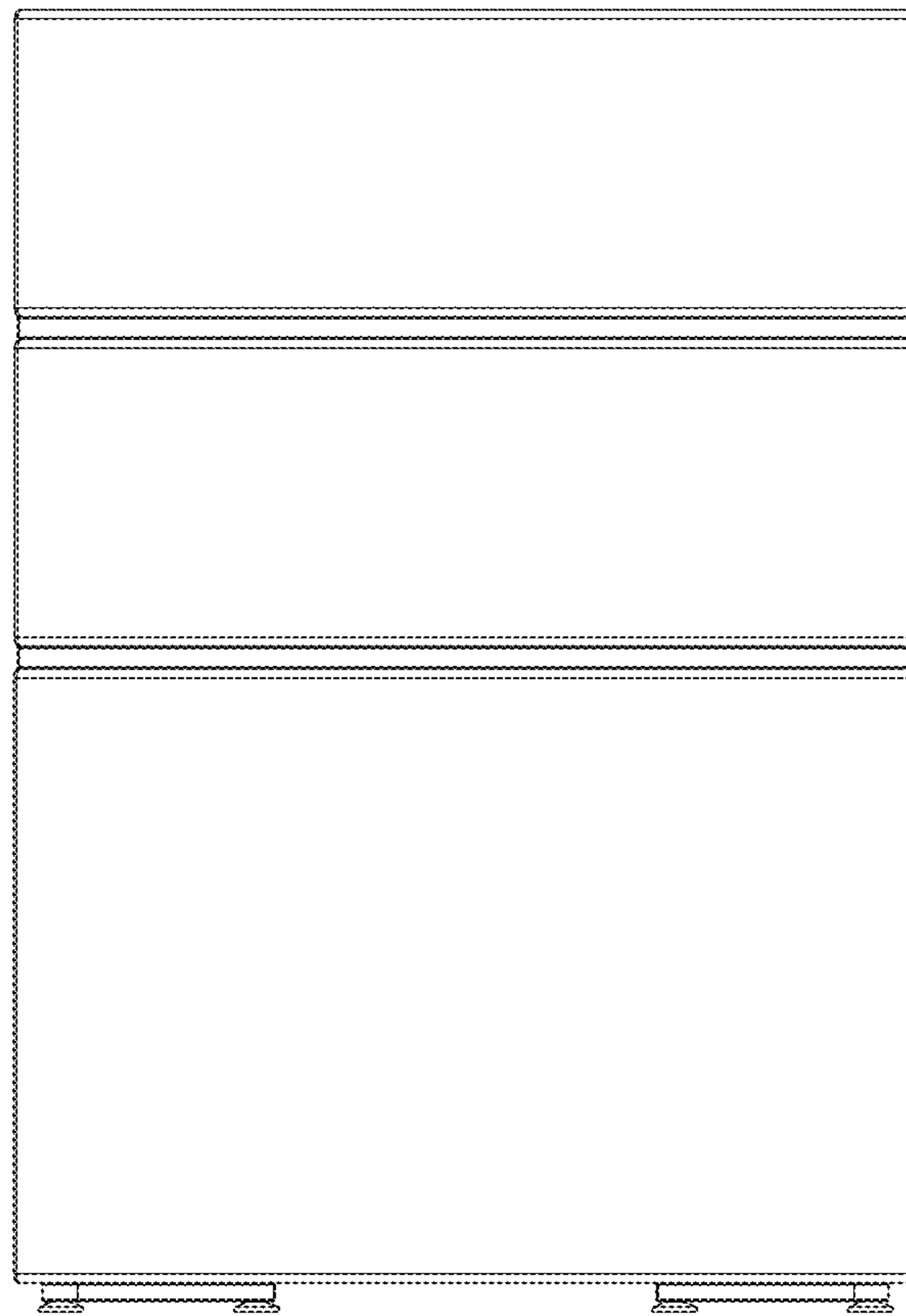


FIG. 46

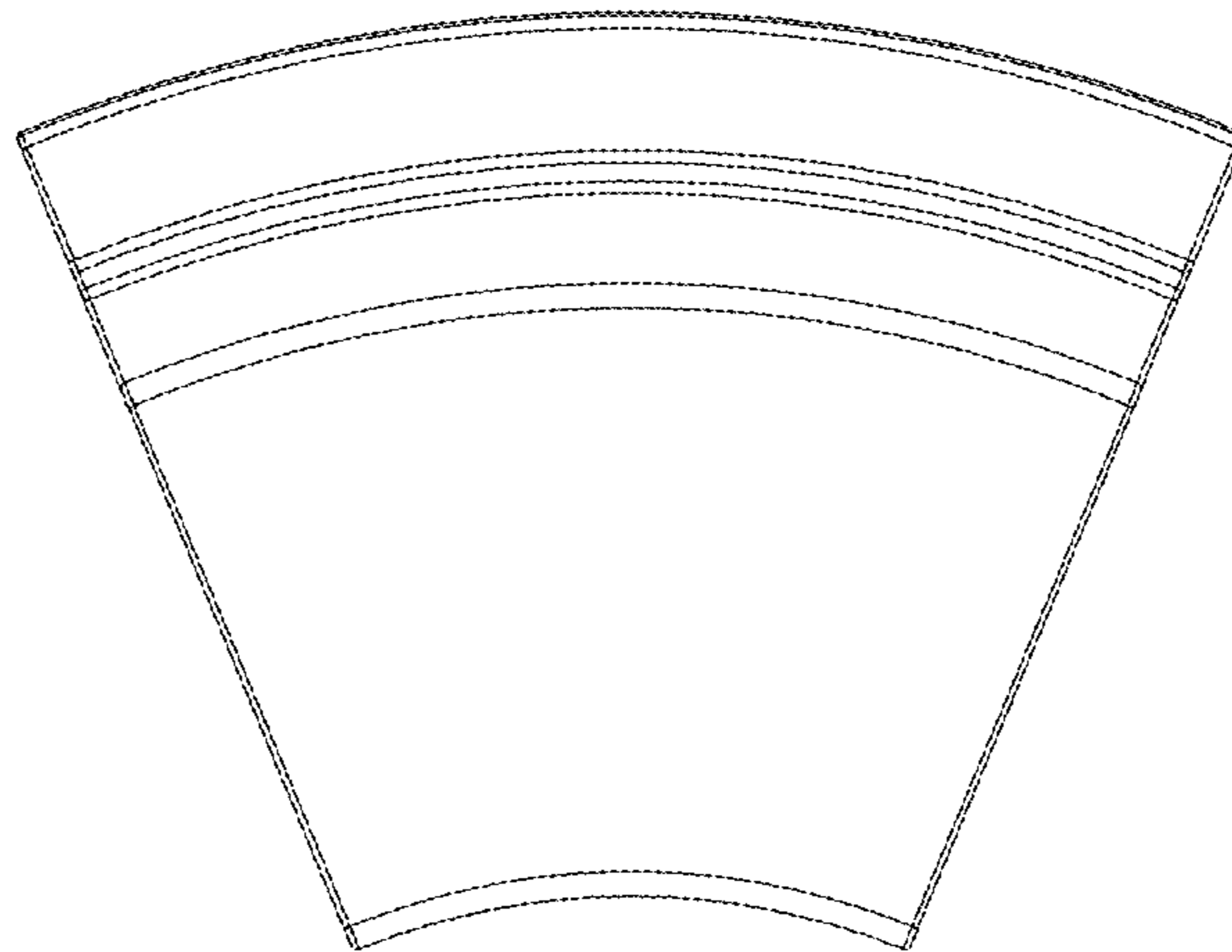


FIG. 47

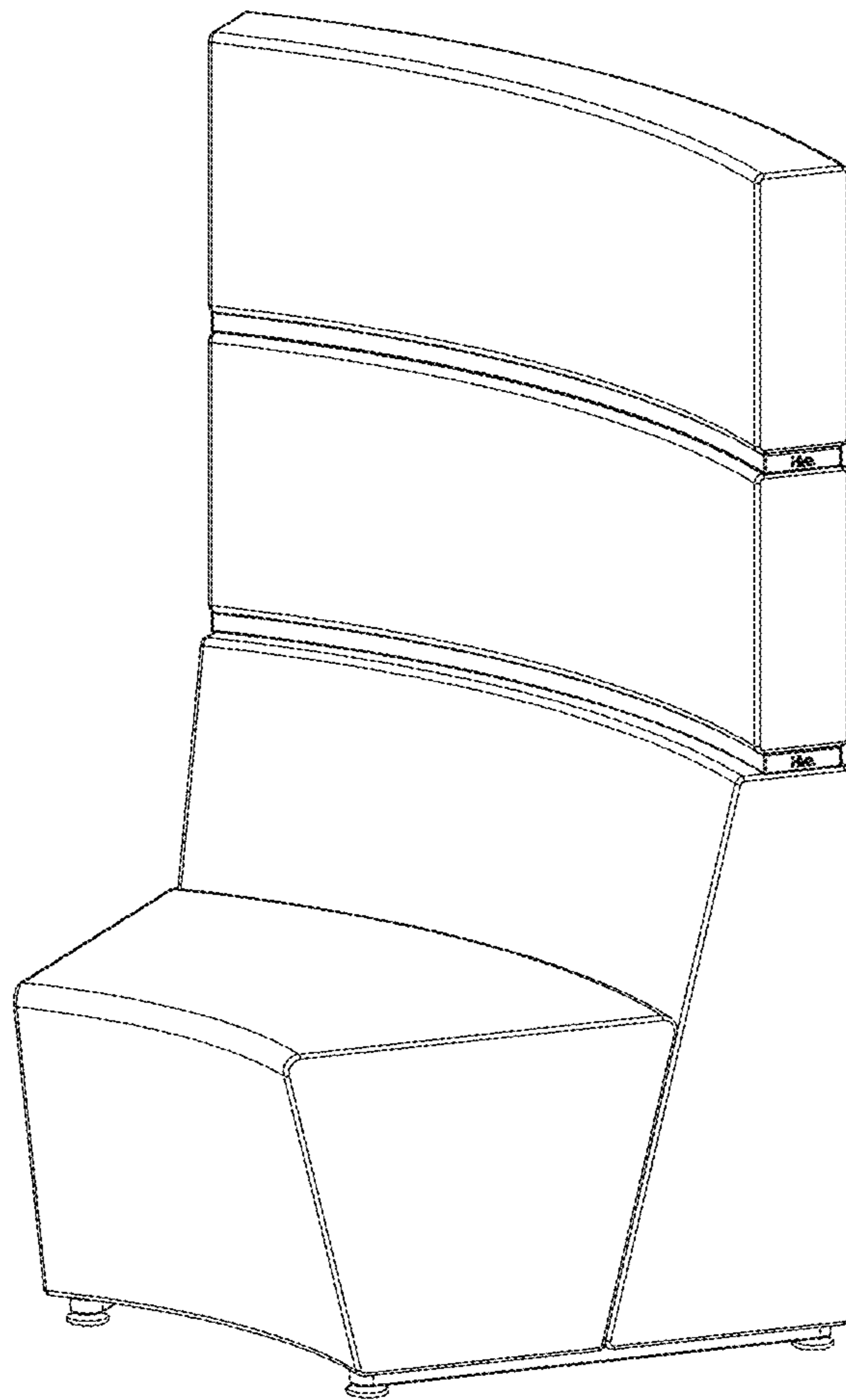


FIG. 48

