



US00D764825S

(12) **United States Design Patent**
Grcic

(10) **Patent No.:** **US D764,825 S**

(45) **Date of Patent:** **** Aug. 30, 2016**

(54) **ARMCHAIR**
(71) Applicant: **Konstantin Grcic**, Munich (DE)
(72) Inventor: **Konstantin Grcic**, Munich (DE)
(73) Assignee: **MAGIS S.P.A.**, Torre di Mosto (IT)
(**) Term: **15 Years**
(21) Appl. No.: **29/535,652**
(22) Filed: **Aug. 8, 2015**

4,437,704 A * 3/1984 Hovsepian A47C 4/02
297/440.14
D353,494 S * 12/1994 Beger D30/118
D414,003 S * 9/1999 Hering D30/118
D450,470 S * 11/2001 Perez D6/381
6,779,211 B1 * 8/2004 Williams A47D 13/08
D6/601
D503,500 S * 3/2005 Gaspari D6/375
D535,063 S * 1/2007 Green D30/118
D583,181 S * 12/2008 Denson-Willis D6/601
D588,390 S * 3/2009 Brill-Cass D6/596
D685,531 S * 7/2013 Wozniak D6/601
D729,986 S * 5/2015 Drew D6/372

* cited by examiner

(30) **Foreign Application Priority Data**

Apr. 14, 2015 (EM) 002681122-0009

(51) **LOC (10) Cl.** **06-01**

(52) **U.S. Cl.**
USPC **D6/375**

(58) **Field of Classification Search**
USPC D6/334-336, 371, 372, 373, 374, 375,
D6/376, 377, 381, 596, 601, 716, 716.1,
D6/716.2, 716.4; D30/118
CPC A47C 4/02; A47C 3/12; A47C 5/12;
A47C 5/04; A47D 13/08; A01K 1/0353
See application file for complete search history.

(56) **References Cited**

U.S. PATENT DOCUMENTS

D232,849 S * 9/1974 Wilson D30/118
D241,993 S * 10/1976 Marks D6/377

Primary Examiner — Mimosa De

(74) *Attorney, Agent, or Firm* — Themis Law

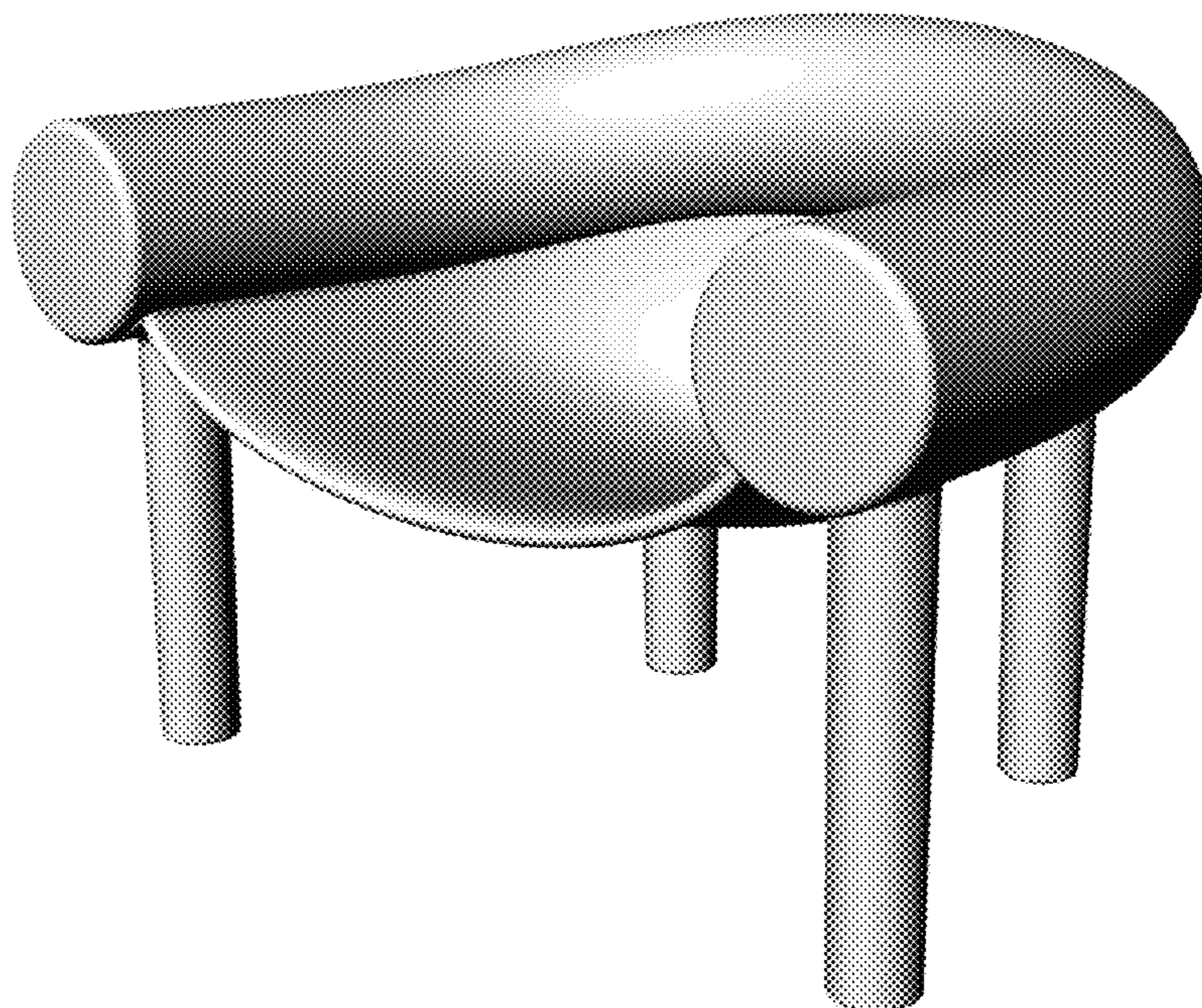
(57) **CLAIM**

The ornamental design for an armchair, as shown.

DESCRIPTION

FIG. 1 is a perspective view of an armchair showing my new design;
FIG. 2 is a front elevational view thereof;
FIG. 3 is a right side view thereof;
FIG. 4 is a left side view thereof;
FIG. 5 is a rear elevational view thereof;
FIG. 6 is a top plan view thereof; and,
FIG. 7 is a bottom plan view thereof.

1 Claim, 7 Drawing Sheets



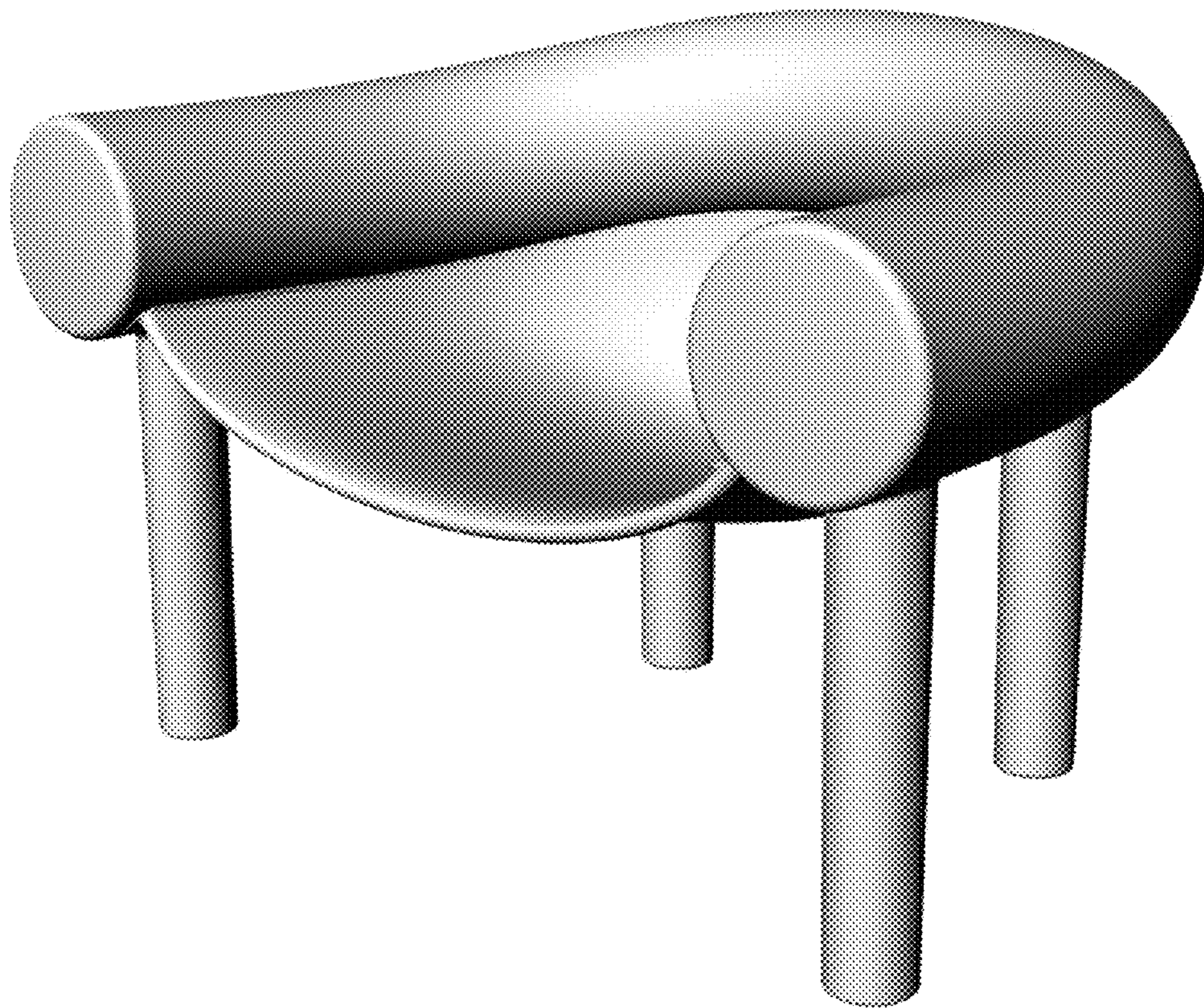


FIG. 1

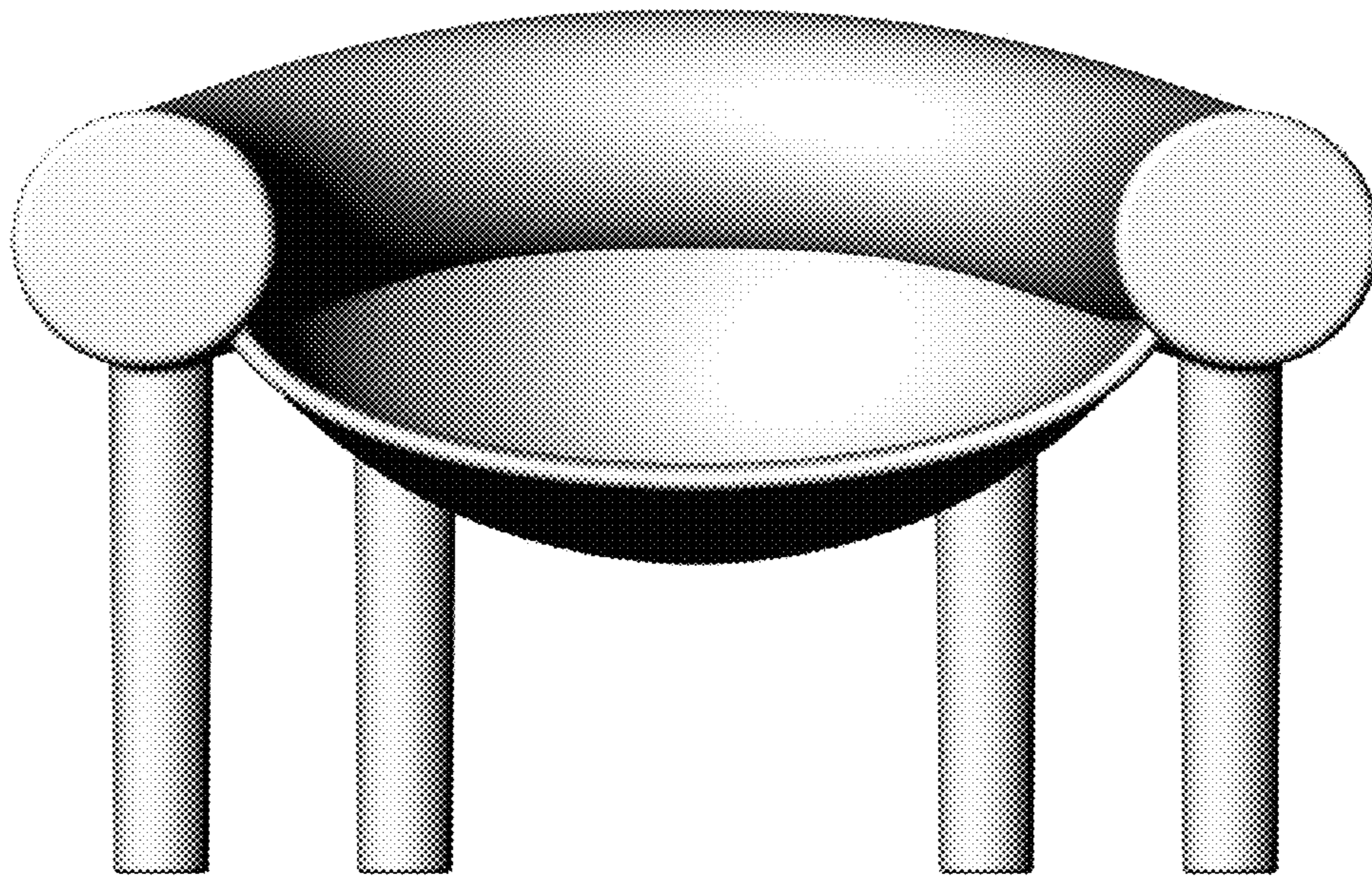


FIG. 2

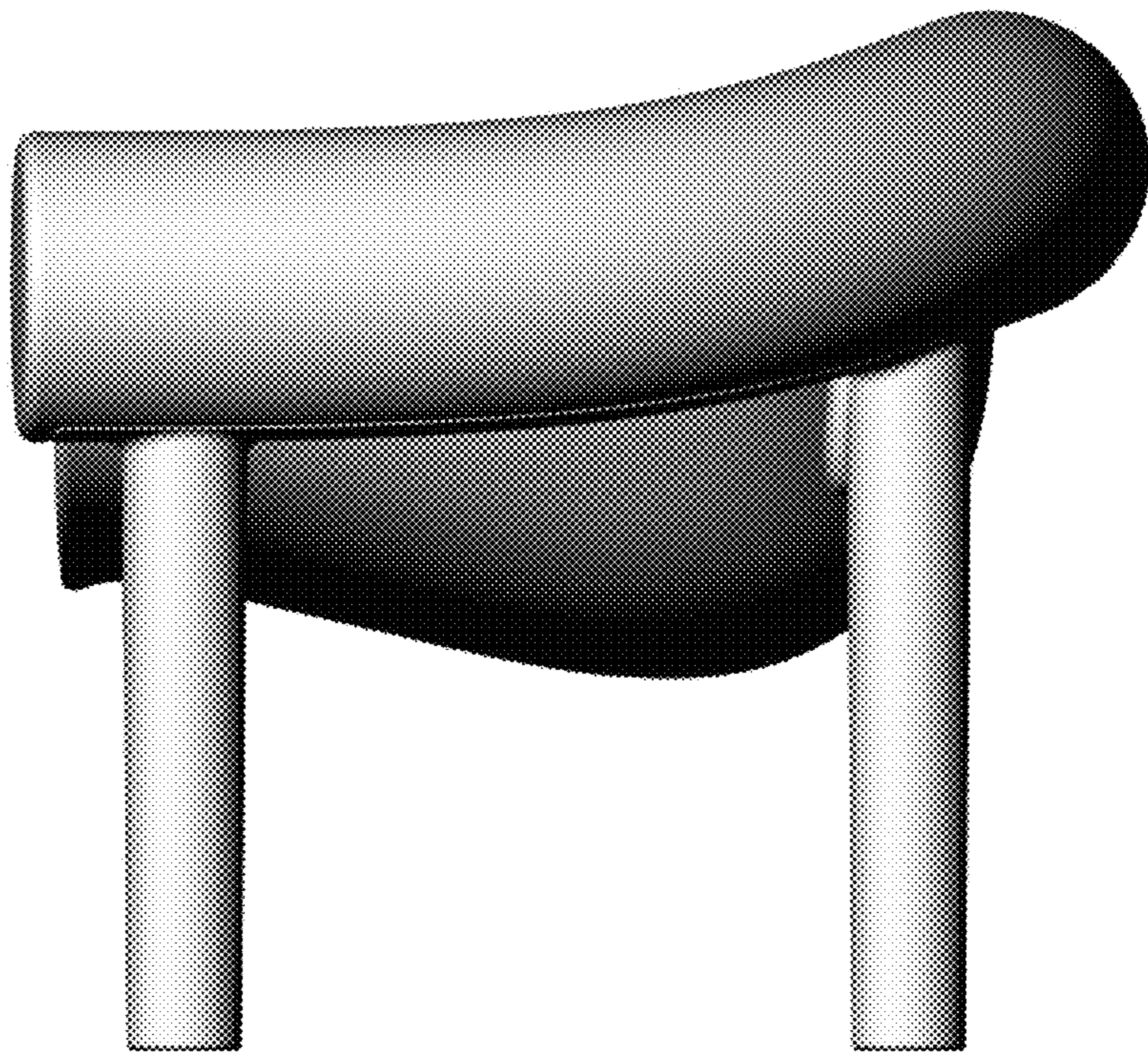


FIG. 3

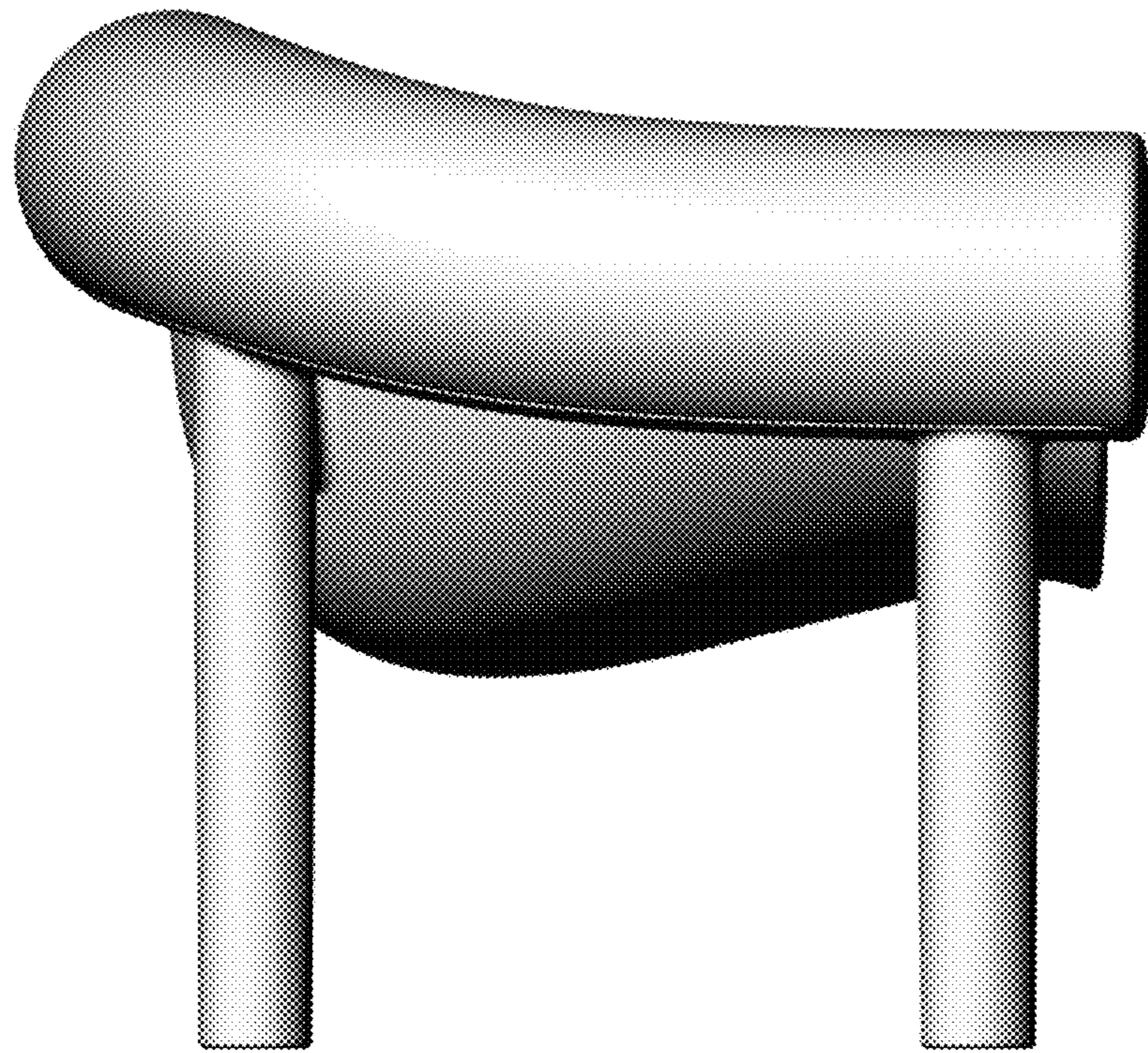


FIG. 4

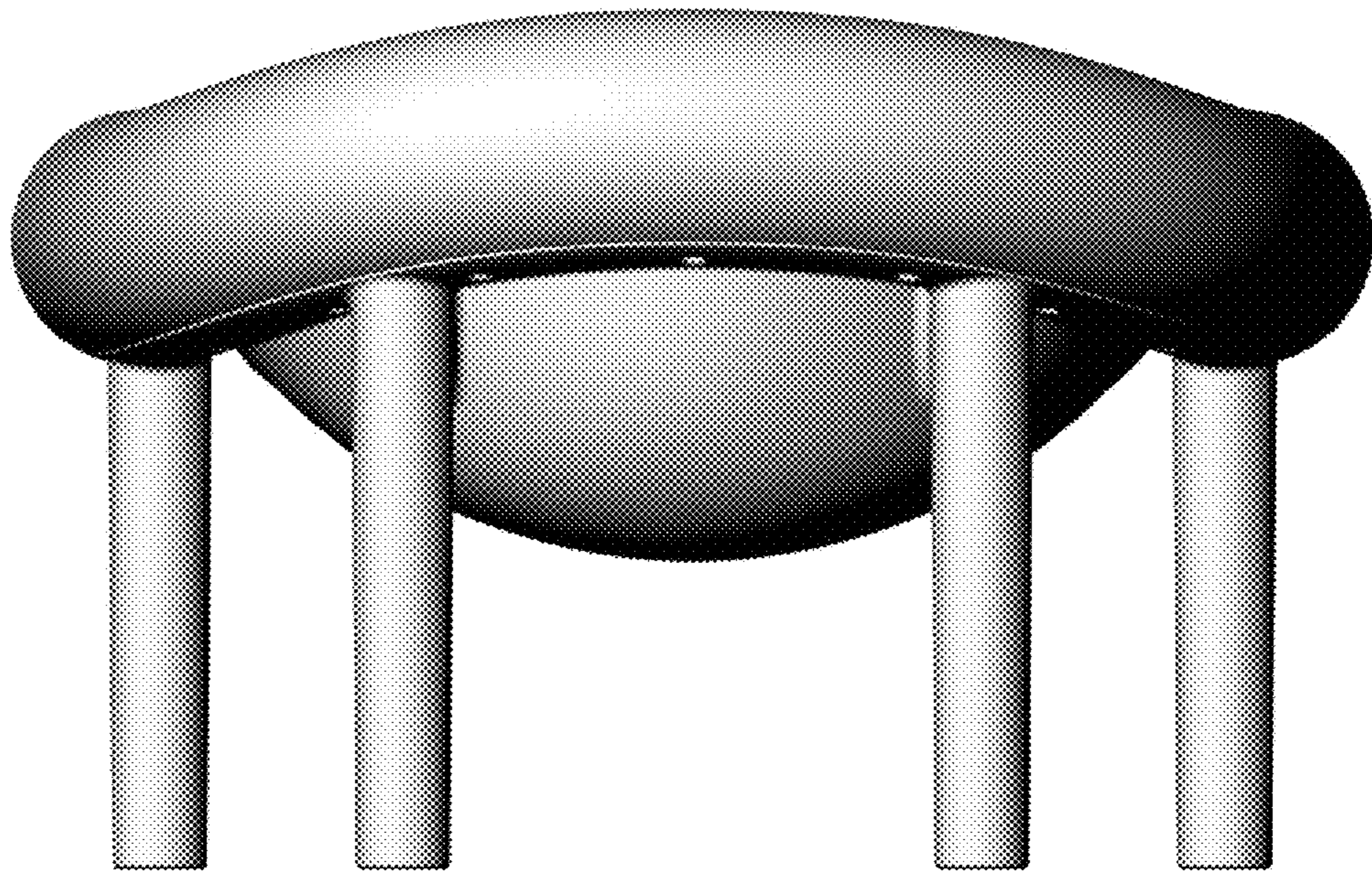


FIG. 5

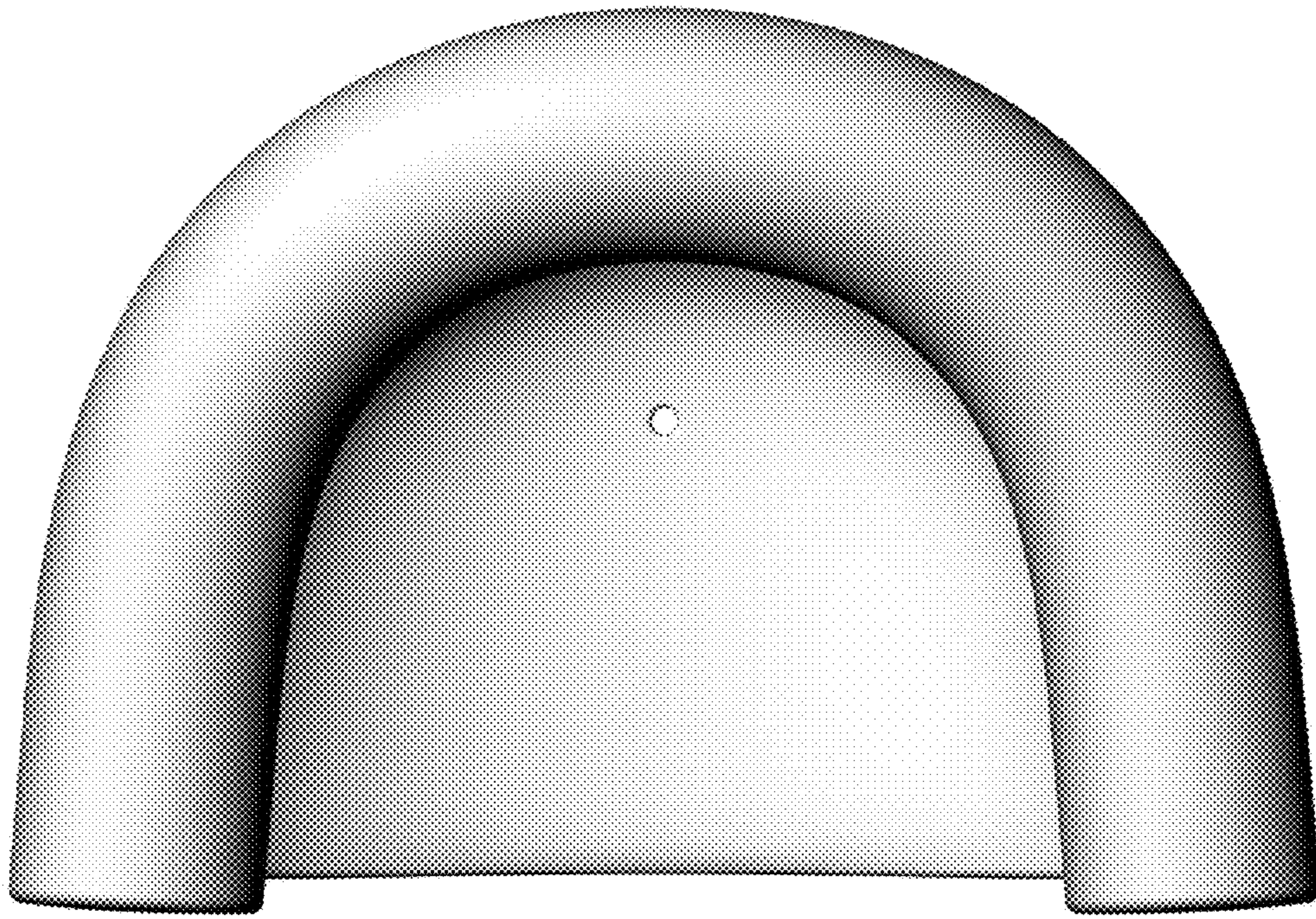


FIG. 6

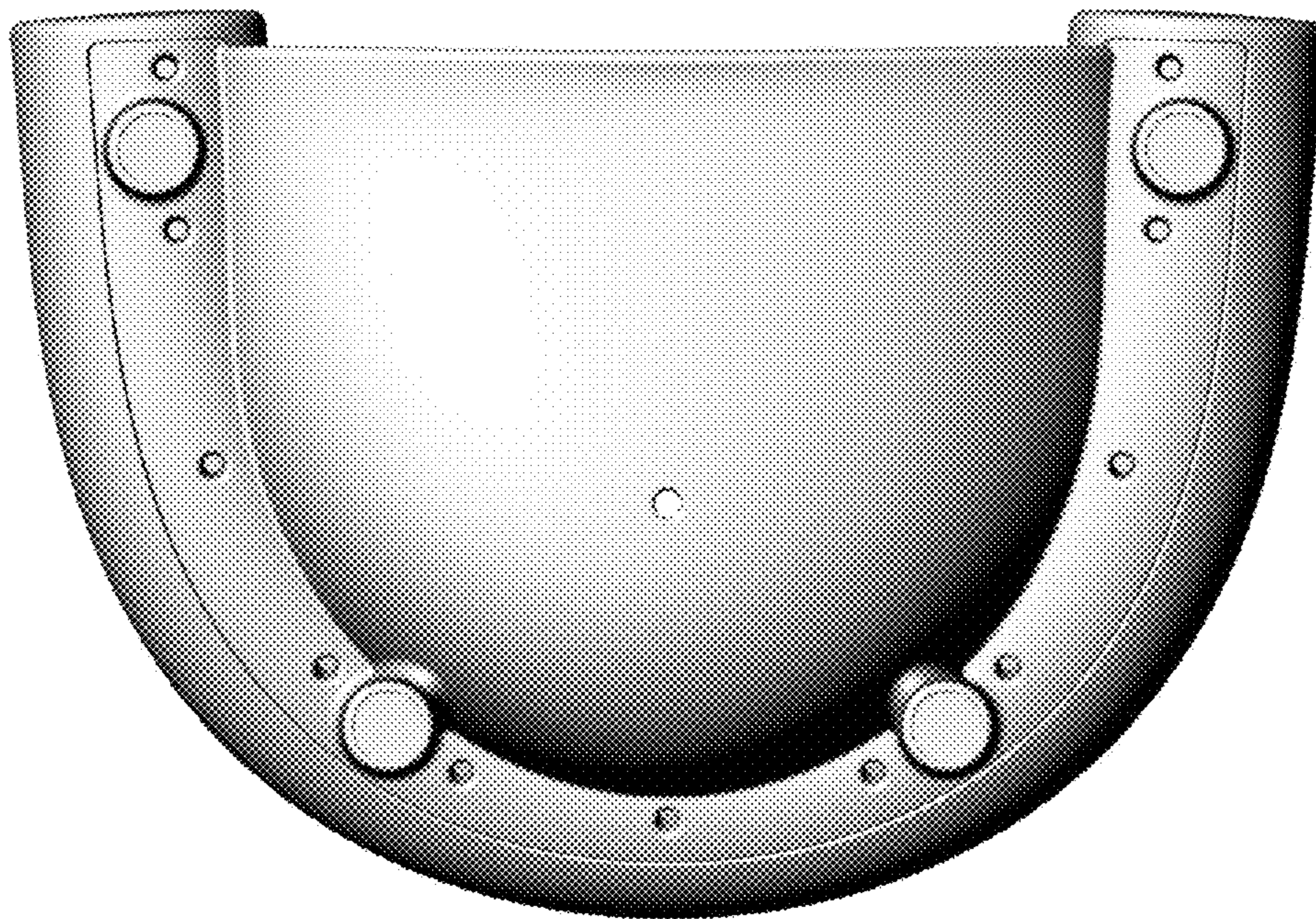


FIG. 7