



US00D764824S

(12) **United States Design Patent** (10) **Patent No.:** **US D764,824 S**
Miller et al. (45) **Date of Patent:** **** Aug. 30, 2016**

(54) **CHAIR**

(71) Applicant: **ITOKI CORPORATION**, Osaka-shi,
Osaka (JP)

(72) Inventors: **Jeff Miller**, New York, NY (US);
Yoshihisa Konishi, Osaka (JP)

(73) Assignee: **ITOKI CORPORATION**, Osaka-shi,
Osaka (JP)

(**) Term: **14 Years**

(21) Appl. No.: **29/525,968**

(22) Filed: **May 5, 2015**

(51) **LOC (10) Cl.** **06-01**

(52) **U.S. Cl.**
USPC **D6/374**

(58) **Field of Classification Search**
USPC D6/334-336, 374, 375, 379, 380, 716,
D6/716.1, 716.2, 716.3
CPC A47C 3/04; A47C 4/02; A47C 4/03;
A47C 4/06; A47C 4/028; A47C 7/16; A47C
7/18; A47C 7/24

See application file for complete search history.

(56) **References Cited**

U.S. PATENT DOCUMENTS

3,084,977 A * 4/1963 Chapman A47C 3/04
297/239
3,167,352 A * 1/1965 Johnson A47C 4/02
297/448.1
D206,713 S * 1/1967 Durko D6/375

* cited by examiner

Primary Examiner — Mimosa De

(74) *Attorney, Agent, or Firm* — Drinker Biddle & Reath
LLP

(57) **CLAIM**

The ornamental design for a chair, as shown and described.

DESCRIPTION

FIG. 1 is a perspective view of the top, front and right side of a chair showing our new design;
FIG. 2 is a perspective view of the top, rear and left side thereof;
FIG. 3 is a front view thereof;
FIG. 4 is a rear view thereof;
FIG. 5 is a left side view thereof;
FIG. 6 is a right side view thereof;
FIG. 7 is a top view thereof; and,
FIG. 8 is a bottom view thereof.

1 Claim, 8 Drawing Sheets

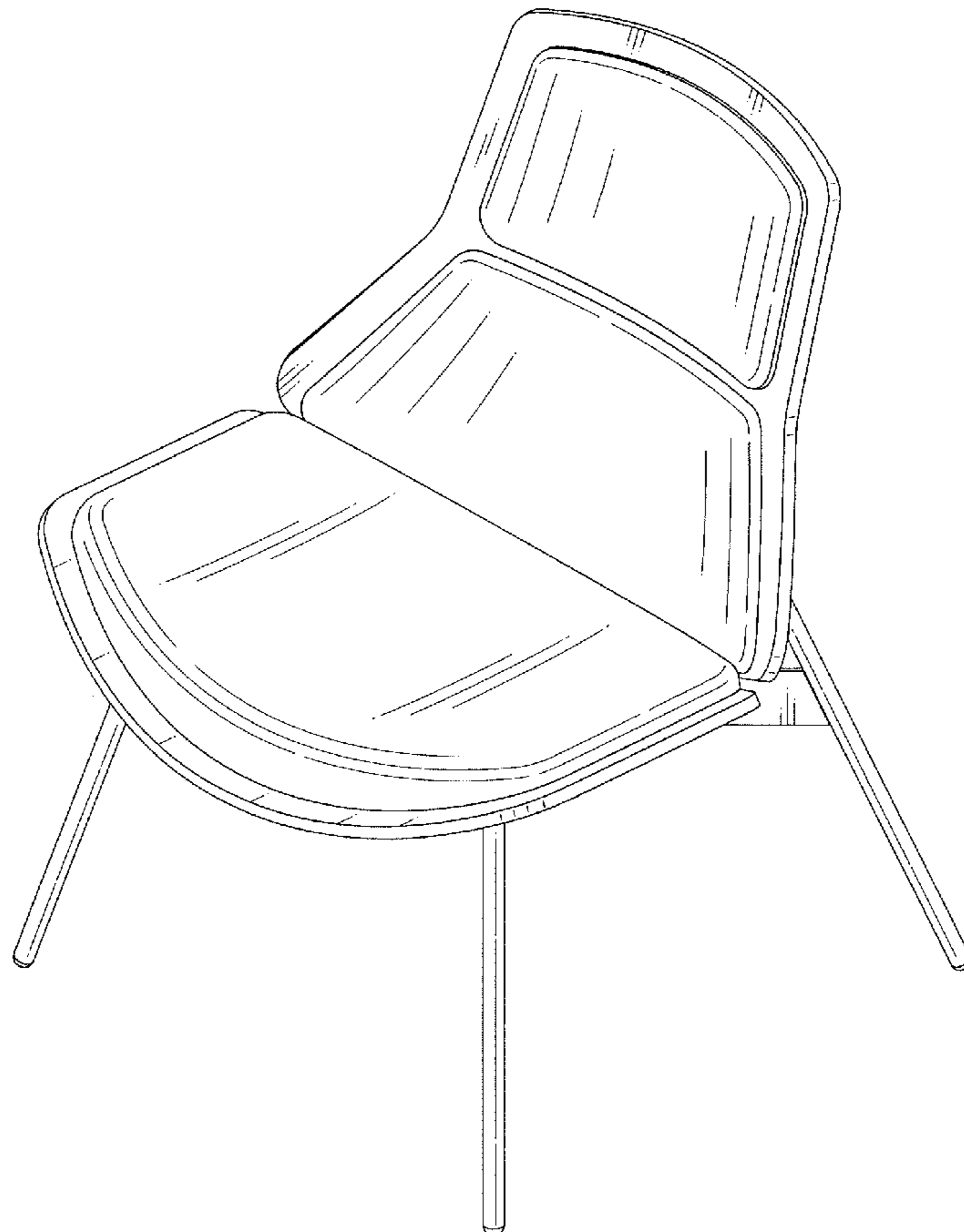


Fig. 1

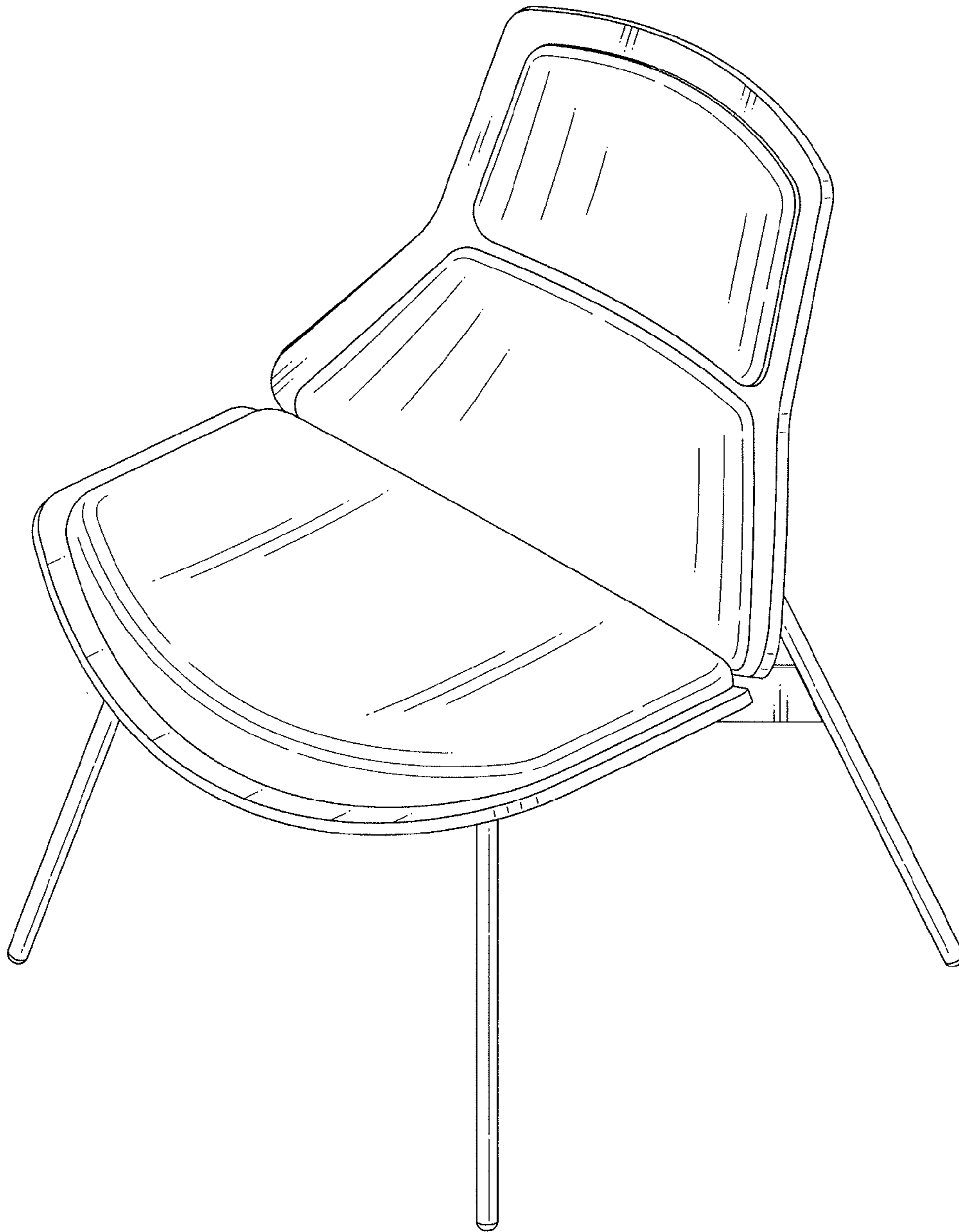


Fig. 2



Fig. 3

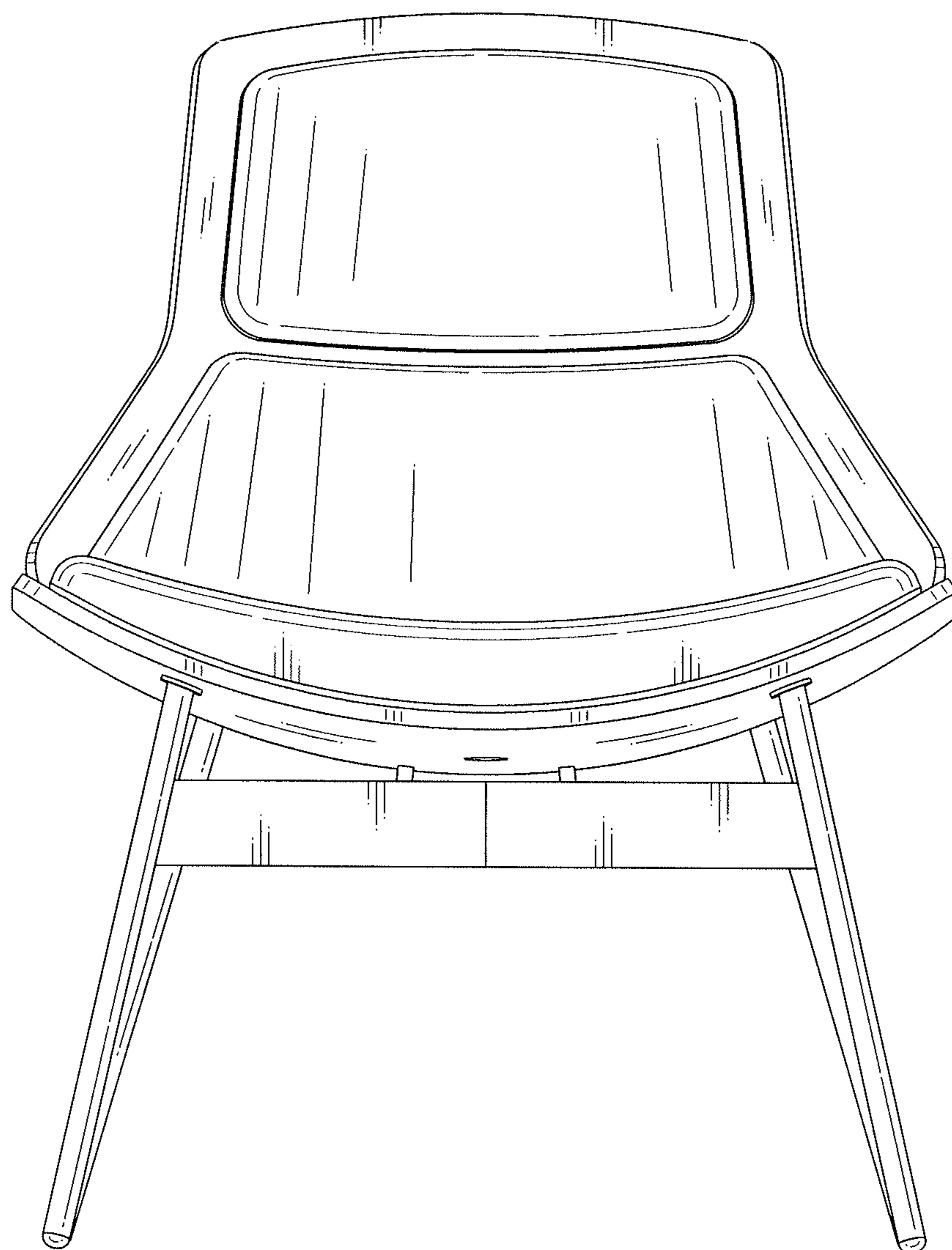


Fig. 4

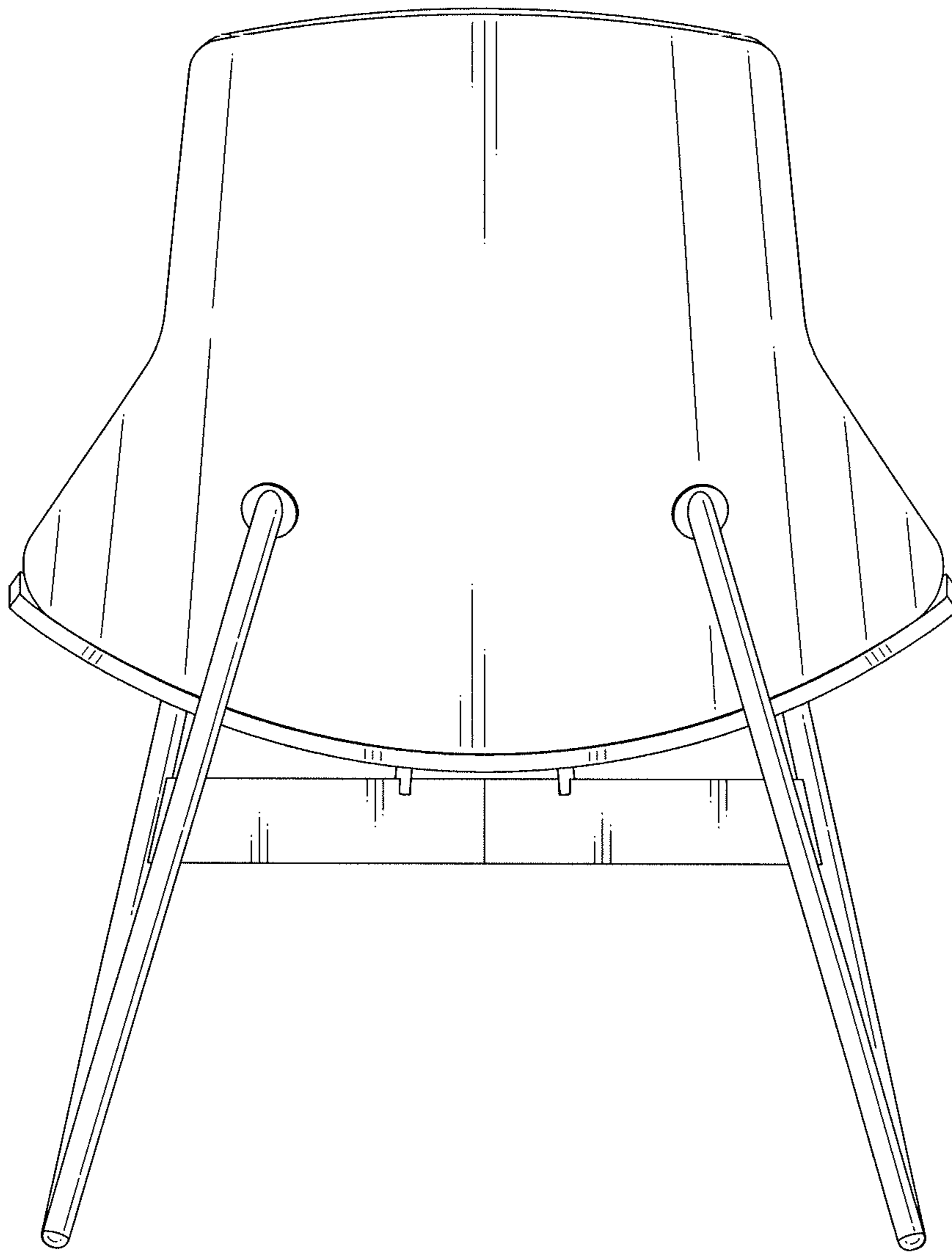


Fig. 5

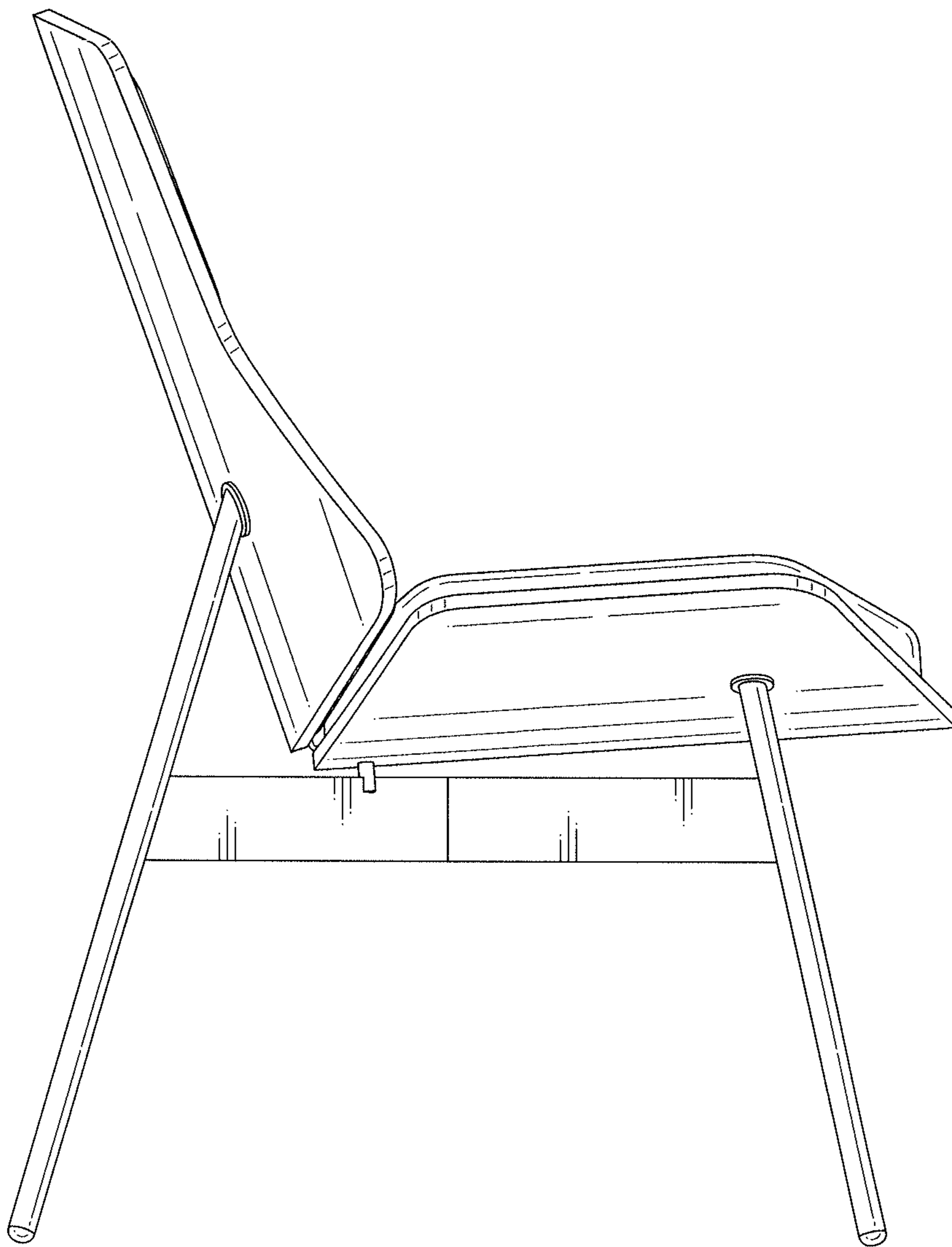


Fig. 6

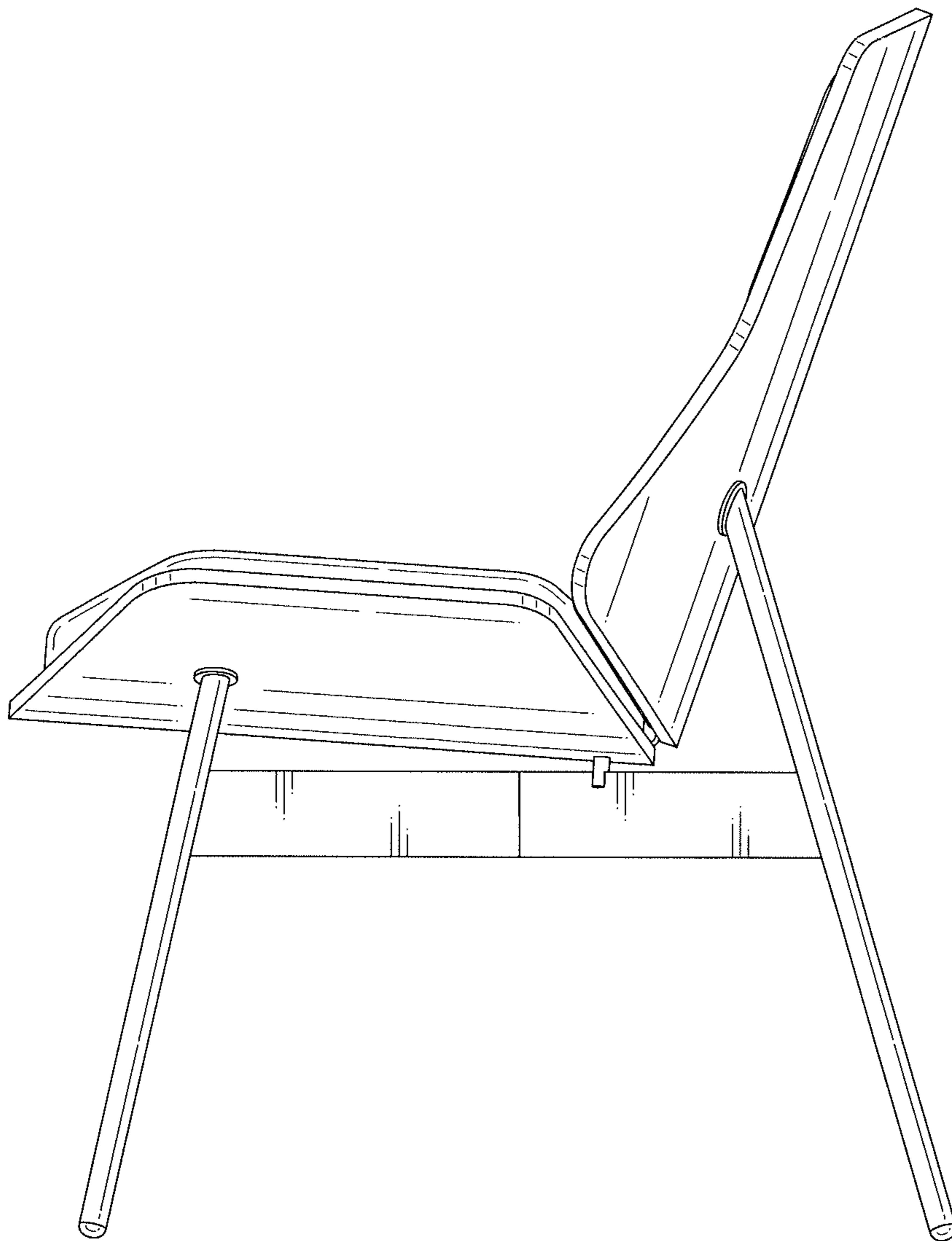


Fig. 7

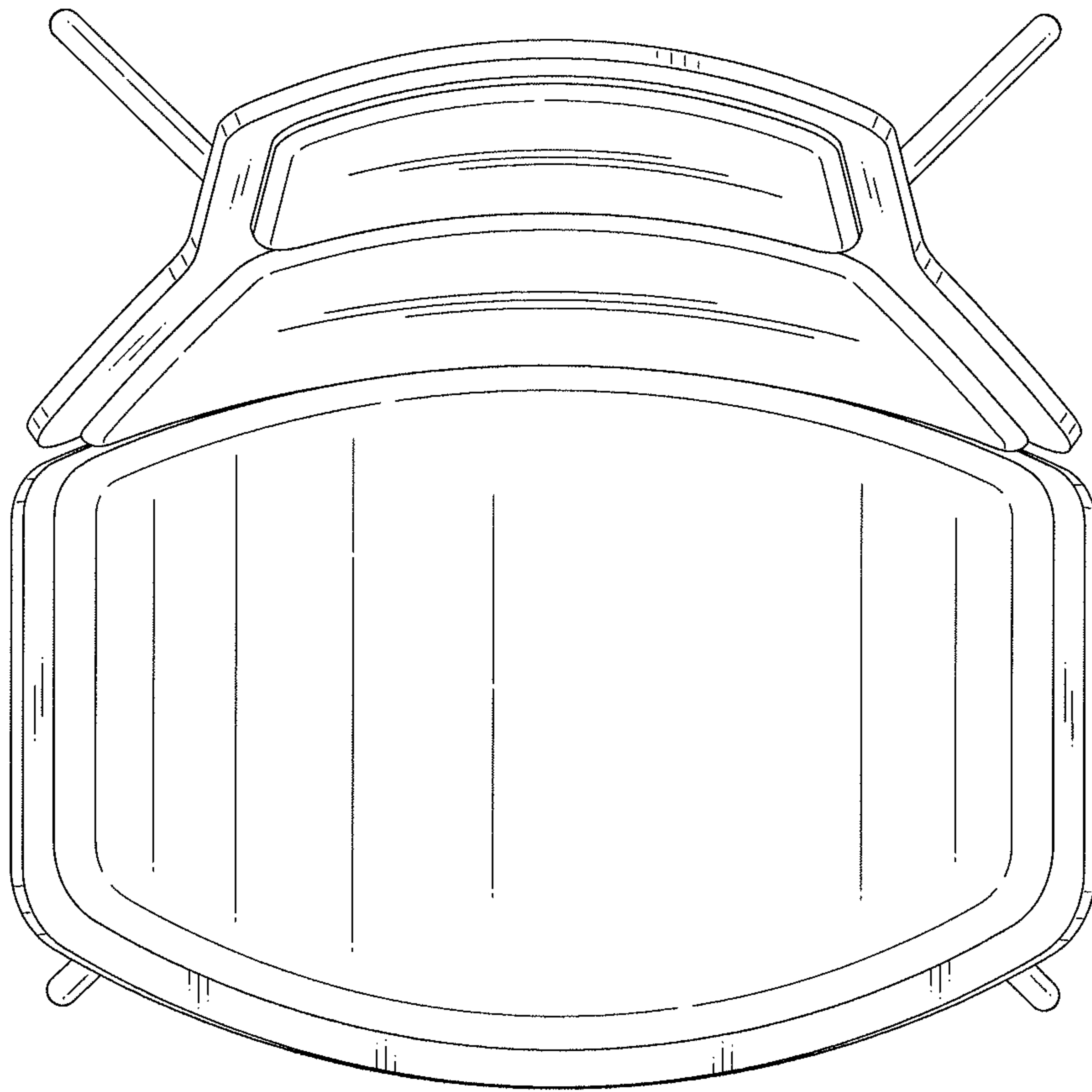


Fig. 8

