



US00D764819S

(12) **United States Design Patent** (10) **Patent No.:** **US D764,819 S**  
**Daley et al.** (45) **Date of Patent:** **\*\* Aug. 30, 2016**

(54) **HIGH CHAIR**

A47D 1/00; A47D 1/002; A47D 1/004;  
A47D 1/008; A47D 1/04; A47C 15/004

(71) Applicant: **Thorley Industries LLC**, Pittsburgh,  
PA (US)

See application file for complete search history.

(72) Inventors: **Robert D. Daley**, Pittsburgh, PA (US);  
**Elijah M. Wiegmann**, Natrona Heights,  
PA (US); **Jordan Zito**, Apollo, PA  
(US); **Robert Stutler**, Pittsburgh, PA  
(US)

(56) **References Cited**

U.S. PATENT DOCUMENTS

(73) Assignee: **Thorley Industries LLC**, Pittsburgh,  
PA (US)

D432,798 S	10/2000	Boney	
D603,175 S *	11/2009	Jacobs .....	D6/339
D619,818 S	7/2010	Bergkvist	
D641,180 S	7/2011	Kennedy et al.	
D650,598 S	12/2011	Kennedy et al.	
D663,539 S *	7/2012	Chuah .....	D6/339
D683,143 S	5/2013	Gold et al.	
D691,819 S	10/2013	Kittilsen et al.	
D699,955 S	2/2014	Chen	
D704,460 S	5/2014	Maurer et al.	
D730,070 S *	5/2015	Daley .....	D6/339
D742,656 S *	11/2015	Ho .....	D6/339

(\*\*) Term: **15 Years**

(21) Appl. No.: **29/546,062**

(22) Filed: **Nov. 18, 2015**

\* cited by examiner

**Related U.S. Application Data**

(60) Division of application No. 29/527,418, filed on May  
19, 2015, which is a continuation of application No.  
29/500,955, filed on Aug. 29, 2014, now Pat. No. Des.  
730,070.

*Primary Examiner* — Abraham Bahta

(74) *Attorney, Agent, or Firm* — The Webb Law Firm

(51) **LOC (10) Cl.** ..... **06-01**

(57) **CLAIM**

The ornamental design for a high chair, as shown and  
described.

(52) **U.S. Cl.**

USPC ..... **D6/339**

**DESCRIPTION**

(58) **Field of Classification Search**

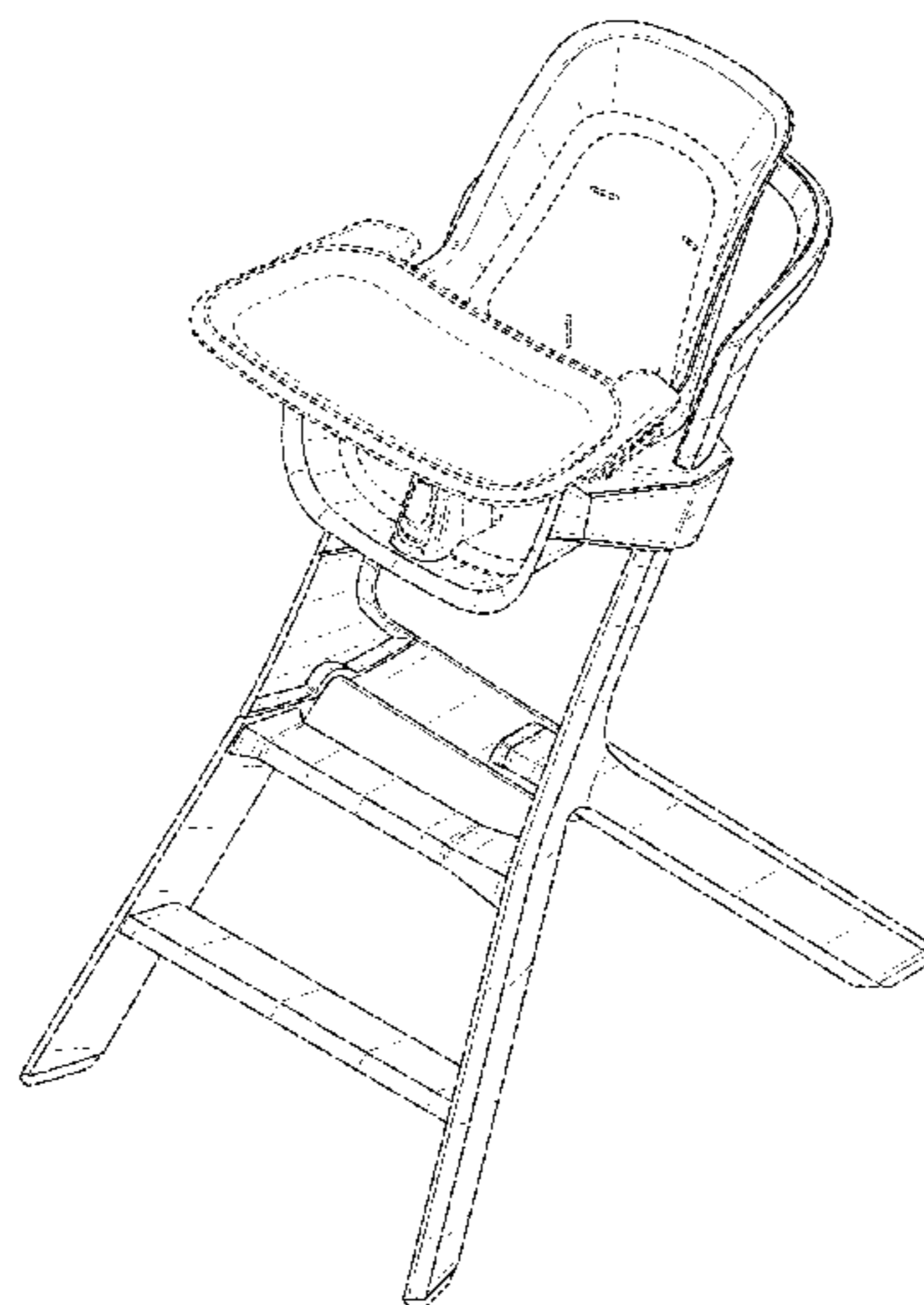
USPC ..... D6/334–336, 338–339, 491, 333, 716,  
D6/716.1–716.7; D12/129; D21/412, 419;  
280/30–31; 5/94, 98.1, 99.1, 101, 105,  
5/655; 297/183.1–183.4, 184.13, 184.15,  
297/184.17, 250.1, 256.1, 255, 256.15,  
297/256.16, 174 R, 174 CS, 170–173, 136,  
297/148, 27, 61, 68; 4/572.1

FIG. 1 is a front perspective view of a high chair in  
accordance with the invention;  
FIG. 2 is a front side plan view thereof;  
FIG. 3 is a rear side plan view thereof;  
FIG. 4 is a right side plan view thereof;  
FIG. 5 is a left side plan view thereof;  
FIG. 6 is a top plan view thereof; and,  
FIG. 7 is a bottom plan view thereof.

CPC .... B60N 2/2845; B60N 2/2821; B60N 2/02;  
B60N 2/10; B60N 2/14; B60N 2/16; B60N  
2/22; B60N 2/26; B60N 2002/0212; B60N  
2002/0216; B60N 2002/022; A47D 13/02;  
A47D 13/08; A47D 13/083; A47D 13/10;

The broken lines illustrating portions of the high chair form  
no part of the claimed design.

**1 Claim, 7 Drawing Sheets**



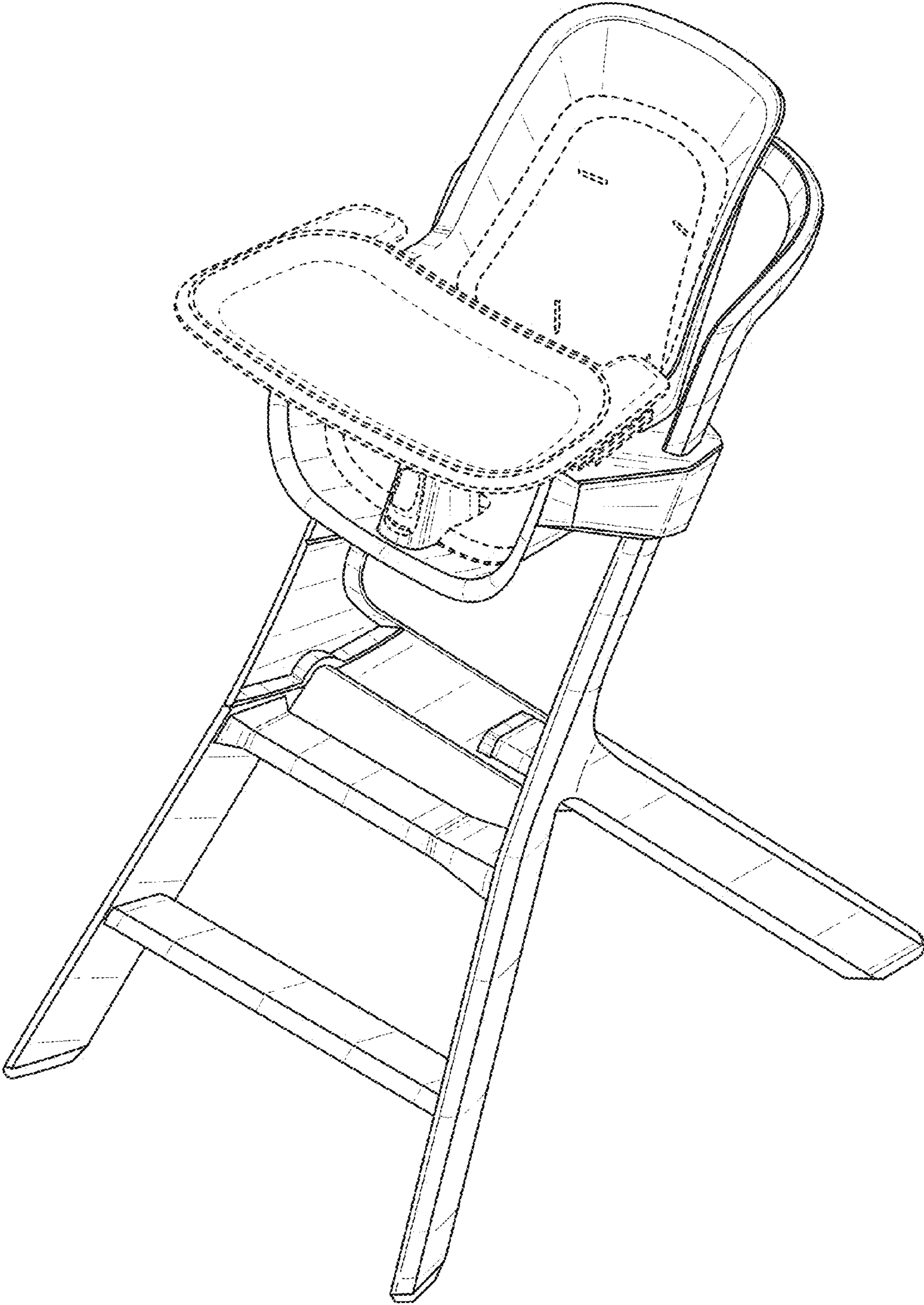


FIG. 1

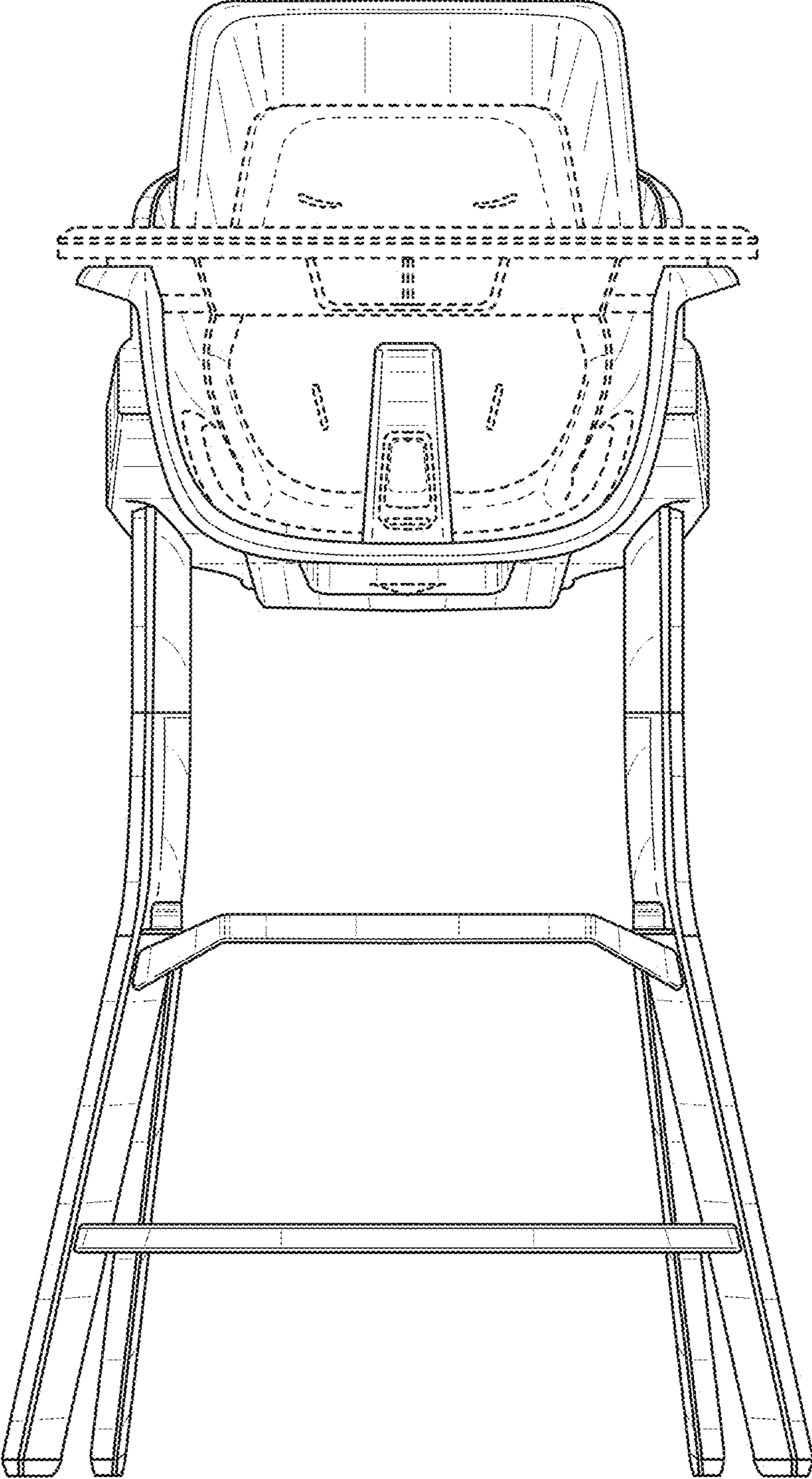


FIG. 2



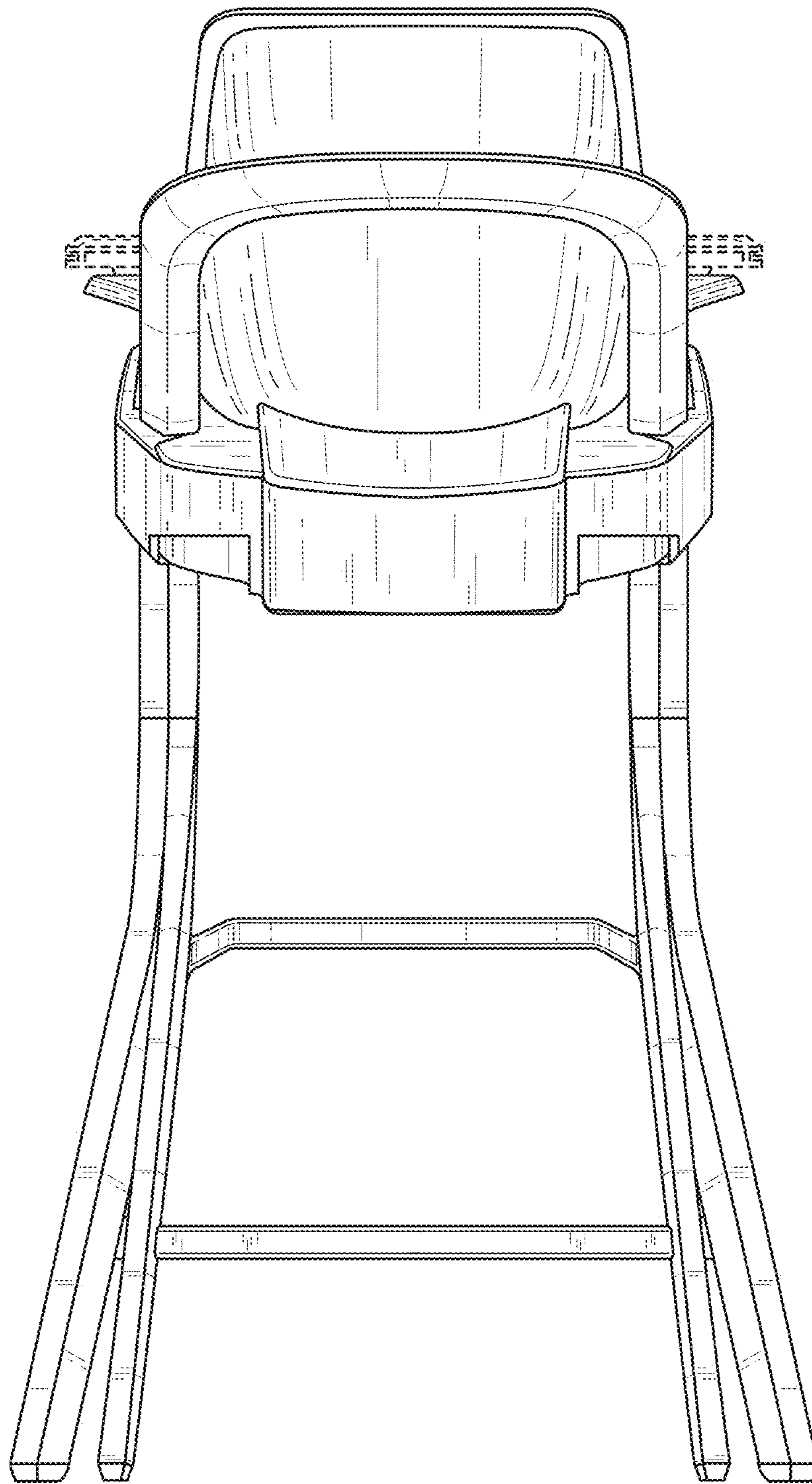


FIG. 3

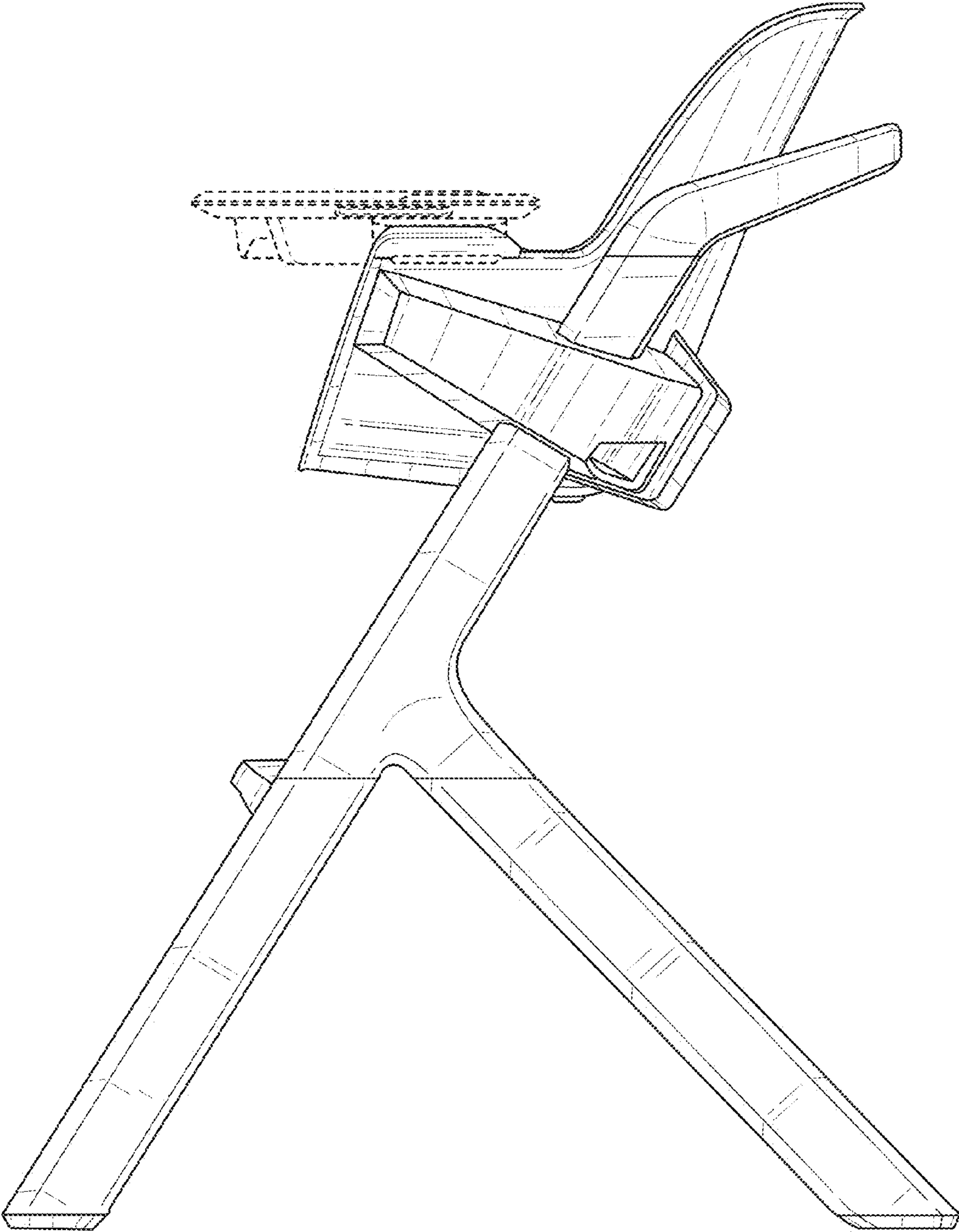


FIG. 4

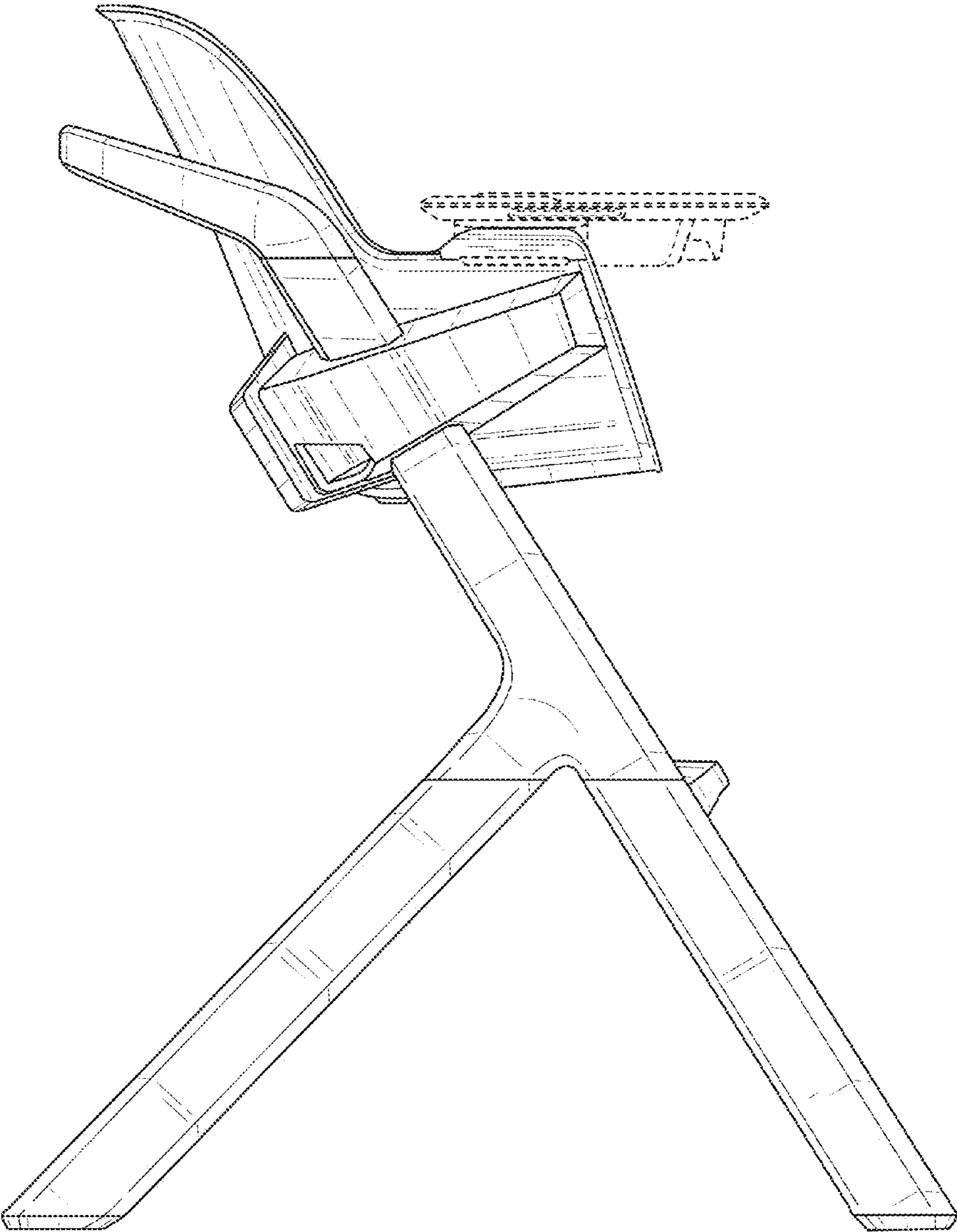


FIG. 5

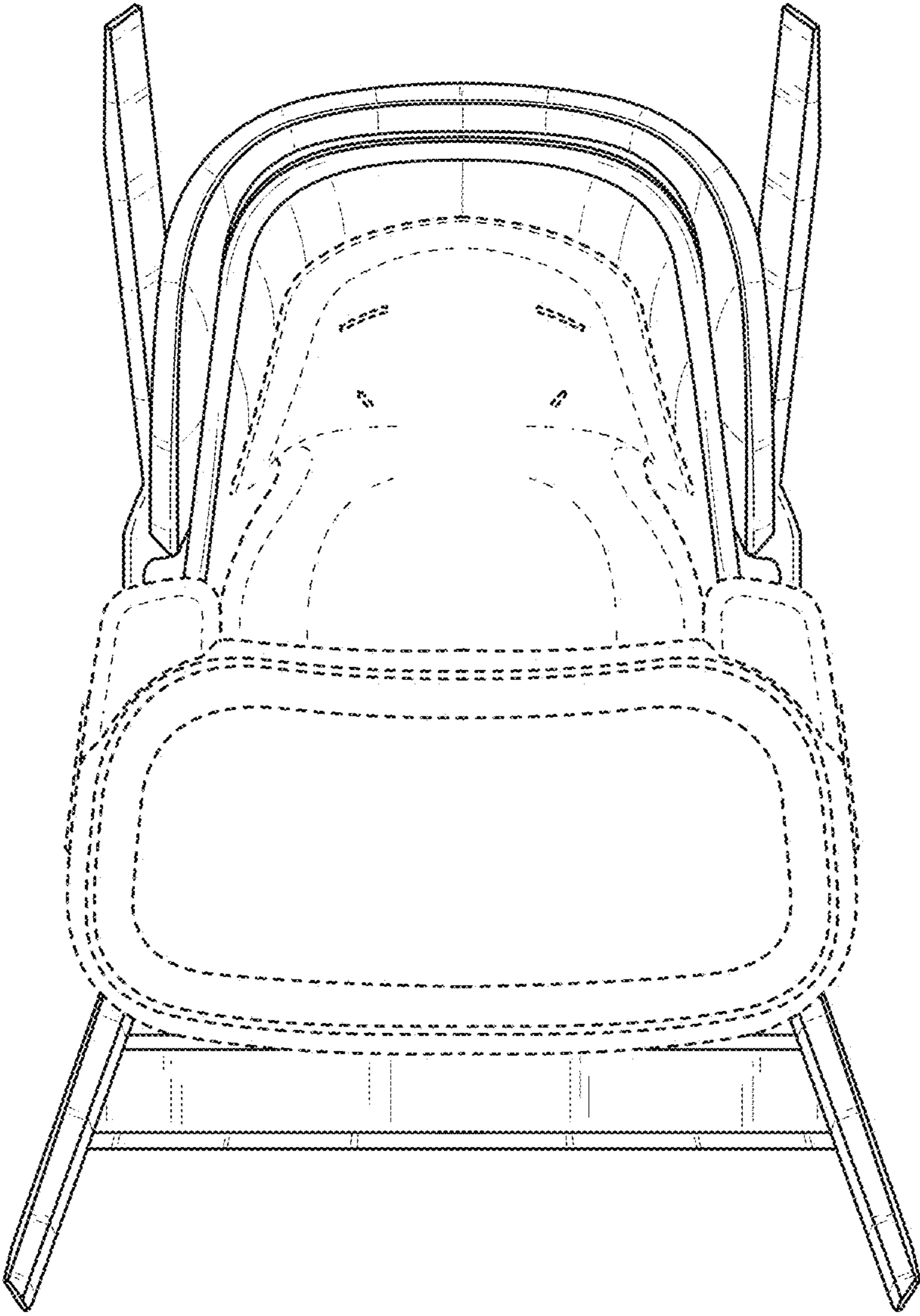


FIG. 6



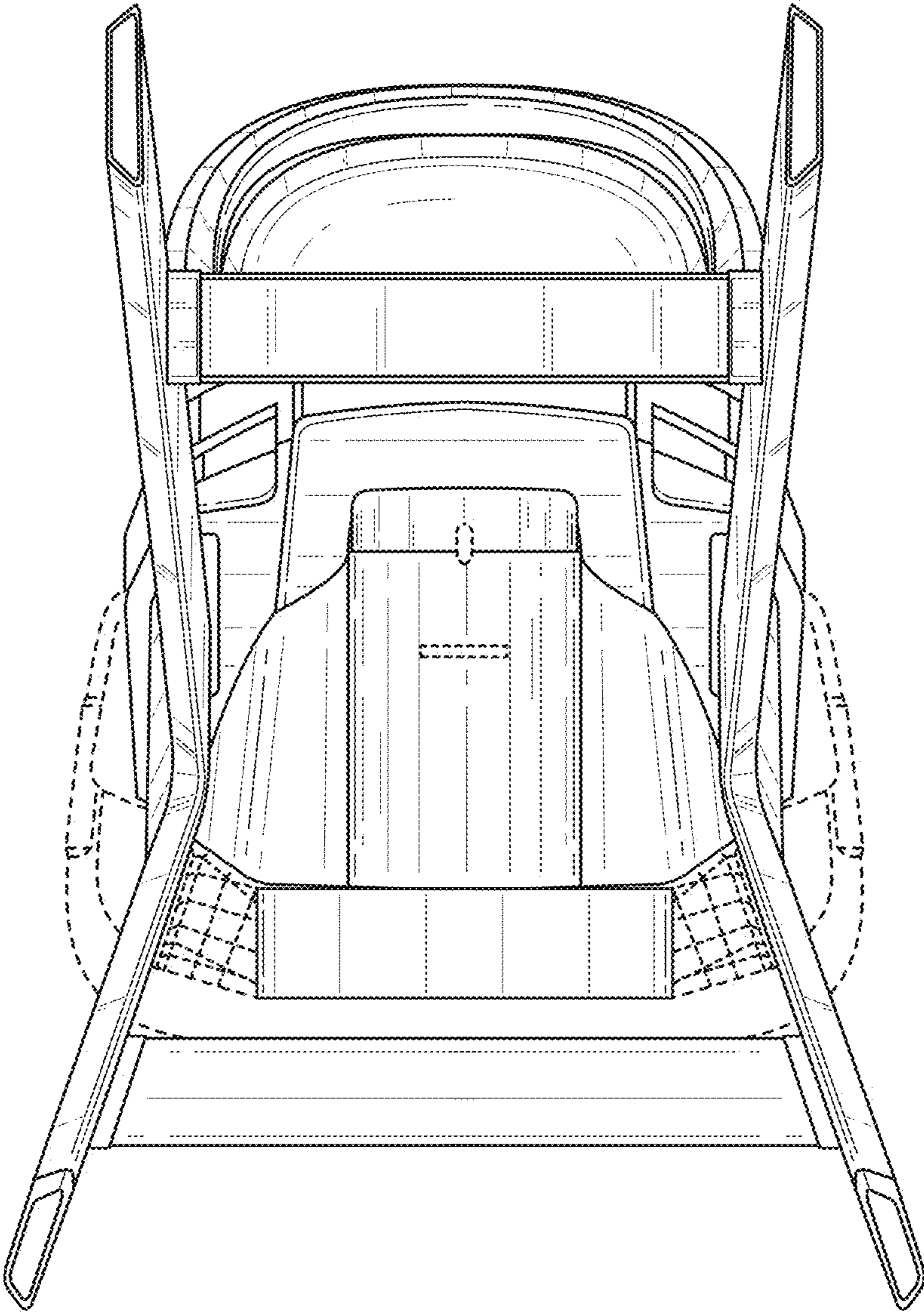


FIG. 7