



US00D764818S

(12) **United States Design Patent**  
**Nassif**

(10) **Patent No.:** **US D764,818 S**

(45) **Date of Patent:** **\*\* Aug. 30, 2016**

(54) **CHILDREN'S COMBINED HIGH CHAIR,  
LOUNGER AND BOOSTER SEAT**

(71) Applicant: **Charbel Nassif**, Sainte Eustache (CA)

(72) Inventor: **Charbel Nassif**, Sainte Eustache (CA)

(\*\*) Term: **14 Years**

(21) Appl. No.: **29/456,242**

(22) Filed: **May 29, 2013**

(51) **LOC (10) Cl.** ..... **06-01**

(52) **U.S. Cl.**  
USPC ..... **D6/339**

(58) **Field of Classification Search**

USPC ..... D6/333-335, 339, 702, 716, 716.1,  
D6/716.2, 716.4, 716.7, 338; D21/412,  
D21/419; 280/30-31; 5/655, 94, 98.1, 99.1,  
5/101, 102, 105; 297/183.1-183.4,  
297/184.13, 184.15, 184.17, 250.1, 256.15,  
297/256.16, 174 R, 174 CS, 170-173, 136,  
297/148, 61, 68

CPC ..... B62B 3/02; A47D 13/20; A47D 1/00;  
A47D 1/002; A47D 1/004; A47D 1/006;  
A47D 1/008; B60N 2/00; B60N 2/015;  
B60N 2/02; B60N 2/16; B60N 2/24; B60N  
2/28; B60N 2/2854; B60N 2/30; B60N 2/42;  
B60N 2/46; B60N 2/58

See application file for complete search history.

(56) **References Cited**

**U.S. PATENT DOCUMENTS**

D428,715 S *	8/2000	Brevi	.....	D6/339
D454,007 S *	3/2002	Huang	.....	D6/339
D575,538 S *	8/2008	Tomasi	.....	D6/339
D618,001 S *	6/2010	Bearup et al.	.....	D6/339
D619,382 S *	7/2010	Chen et al.	.....	D6/339
D641,180 S *	7/2011	Kennedy et al.	.....	D6/339
D643,636 S *	8/2011	Hu	.....	D6/339

(Continued)

*Primary Examiner* — Abraham Bahta

(74) *Attorney, Agent, or Firm* — Timothy D. Bennett;  
Emerson Thomson Bennett

(57) **CLAIM**

The ornamental design for a children's combined high chair,  
lounger and booster seat, as shown and described.

**DESCRIPTION**

FIG. 1 is a front view of the booster seat shown separately  
for ease of illustration;

FIG. 2 is a rear view of the booster seat shown in FIG. 1;  
FIG. 3 is a left side view of the booster seat shown in FIG.  
1;

FIG. 4 is a right side view of the booster seat shown in FIG.  
1;

FIG. 5 is a top view of the booster seat shown in FIG. 1;

FIG. 6 is a rear perspective view of the children's combined  
high chair, lounger and booster seat shown separately with-  
out the shade canopy for ease of illustration;

FIG. 7 is a rear view of the combined high chair, lounger and  
booster seat with a shade canopy;

FIG. 8 is a front view of the children's combined high chair,  
lounger and booster seat shown separately without the shade  
canopy;

FIG. 9 is a front view of the children's combined high chair,  
lounger and booster seat with the shade canopy in place;

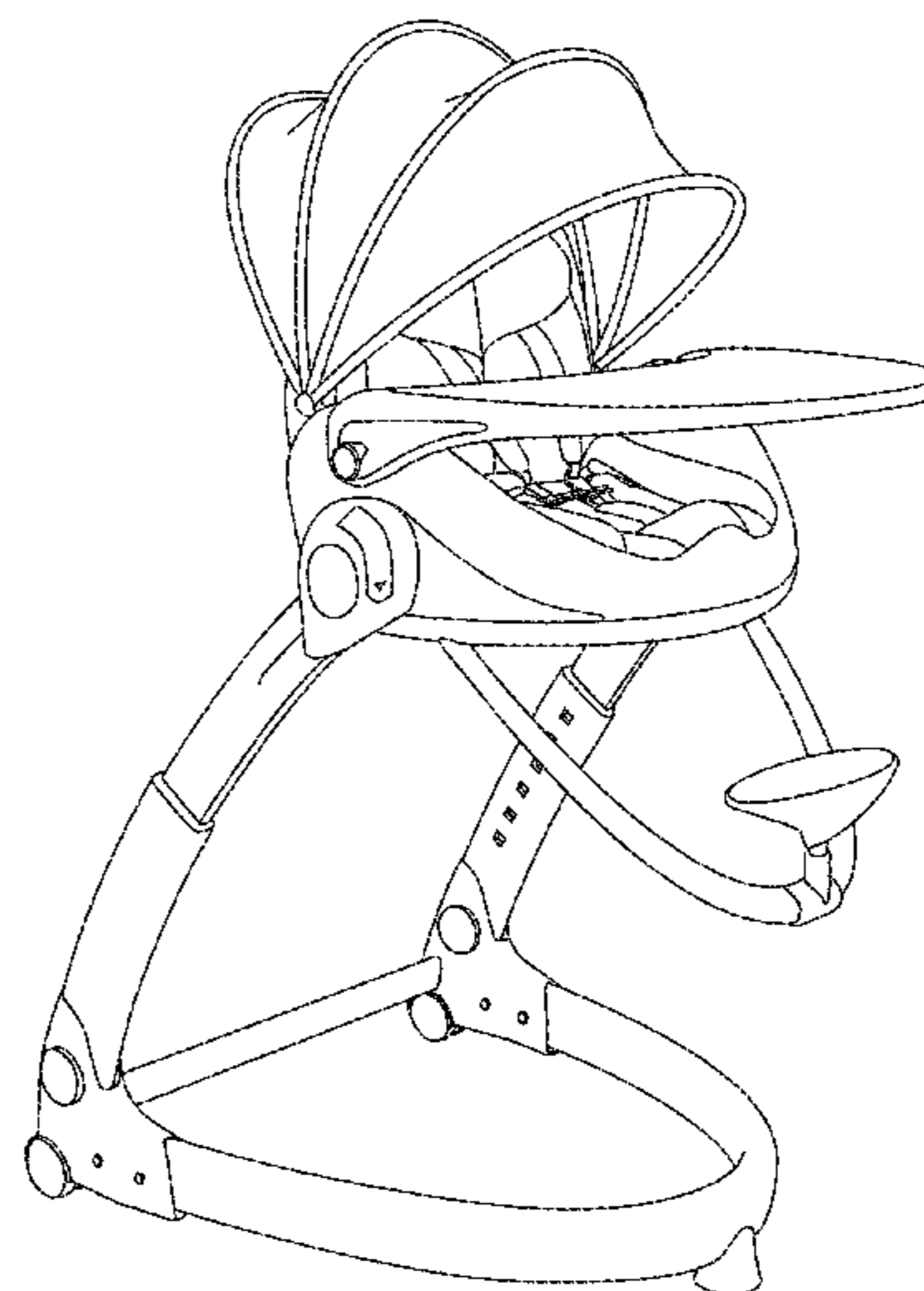
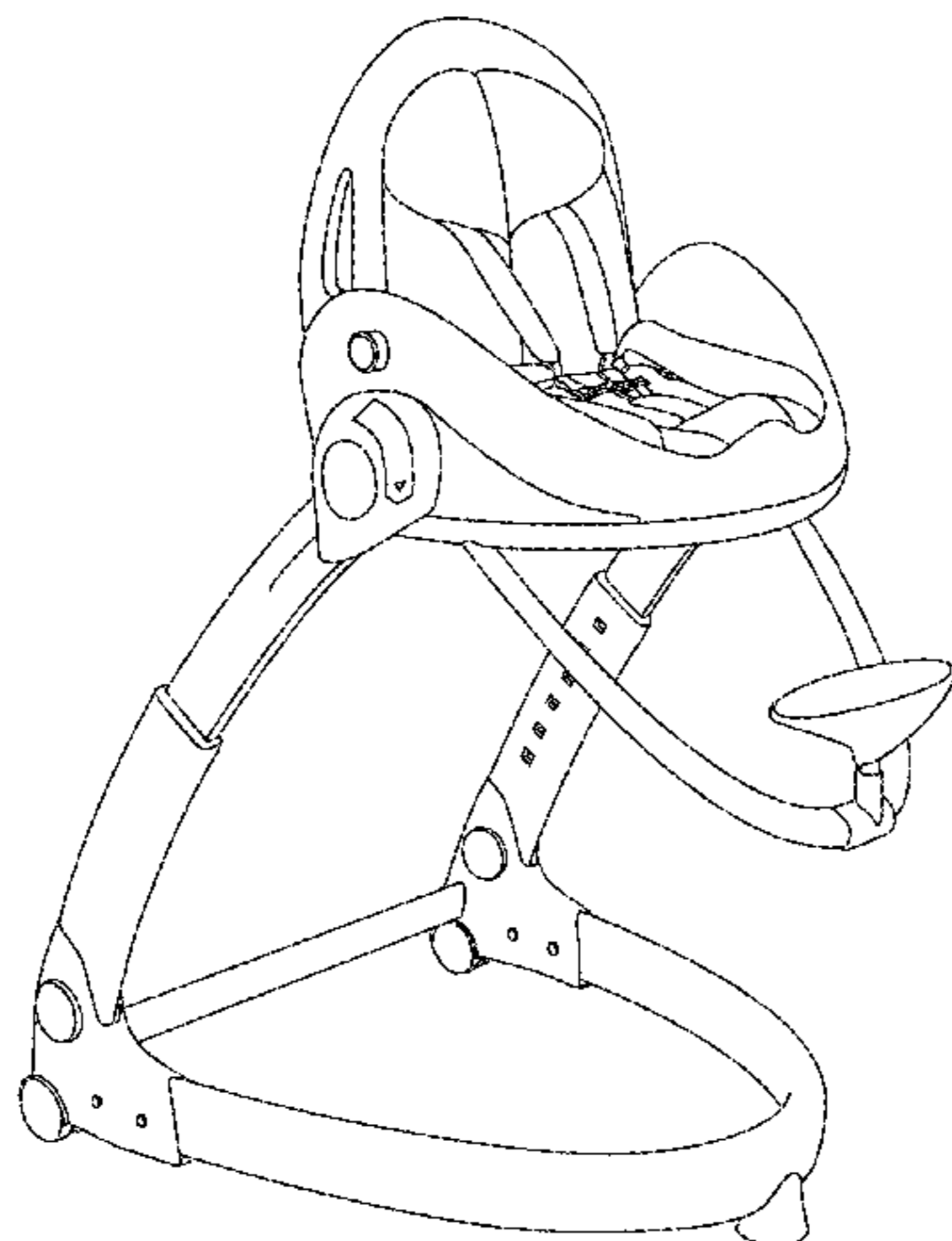
FIG. 10 is a left side view of the children's combined high  
chair, lounger and booster seat with the shade canopy  
removed;

FIG. 11 is a left side view of the children's combined high  
chair, lounger and booster seat with the shade canopy in  
place;

FIG. 12 is a front right side perspective view of the chil-  
dren's combined high chair, lounger and booster seat with-  
out the shade canopy; and,

FIG. 13 is a front right side perspective view of the chil-  
dren's combined high chair, lounger and booster seat with  
the shade canopy in place.

**1 Claim, 13 Drawing Sheets**



# US D764,818 S

Page 2

---

(56)

## References Cited

### U.S. PATENT DOCUMENTS

D651,816 S \* 1/2012 Shi ..... D6/339  
D671,755 S \* 12/2012 Stolarz et al. .... D6/339

D679,915 S \* 4/2013 Sturmeý ..... D6/339  
D683,143 S \* 5/2013 Gold et al. .... D6/339  
D691,819 S \* 10/2013 Kittilsen et al. .... D6/339  
D694,029 S \* 11/2013 Yeh ..... D6/339

\* cited by examiner

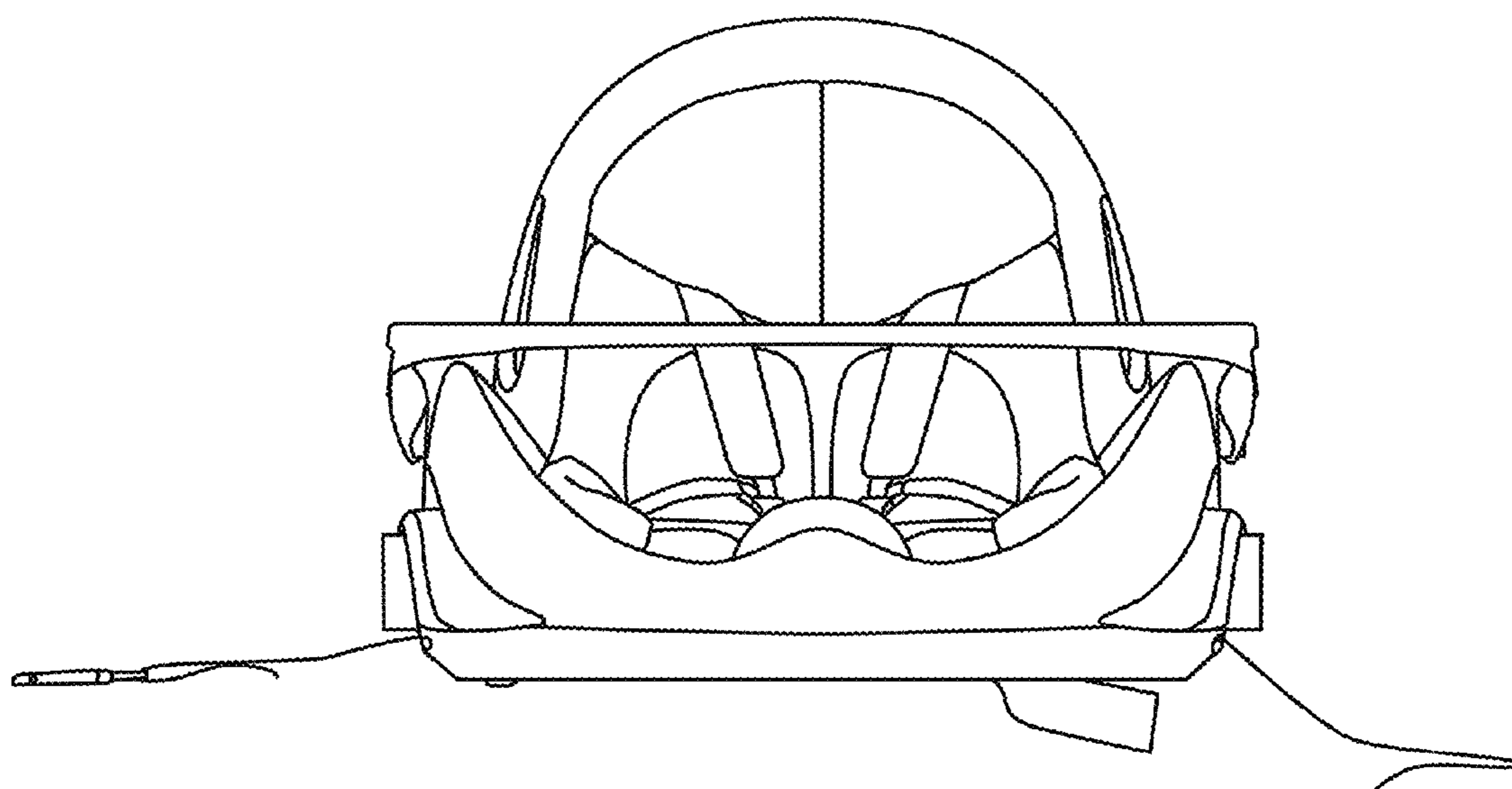


Fig. 1

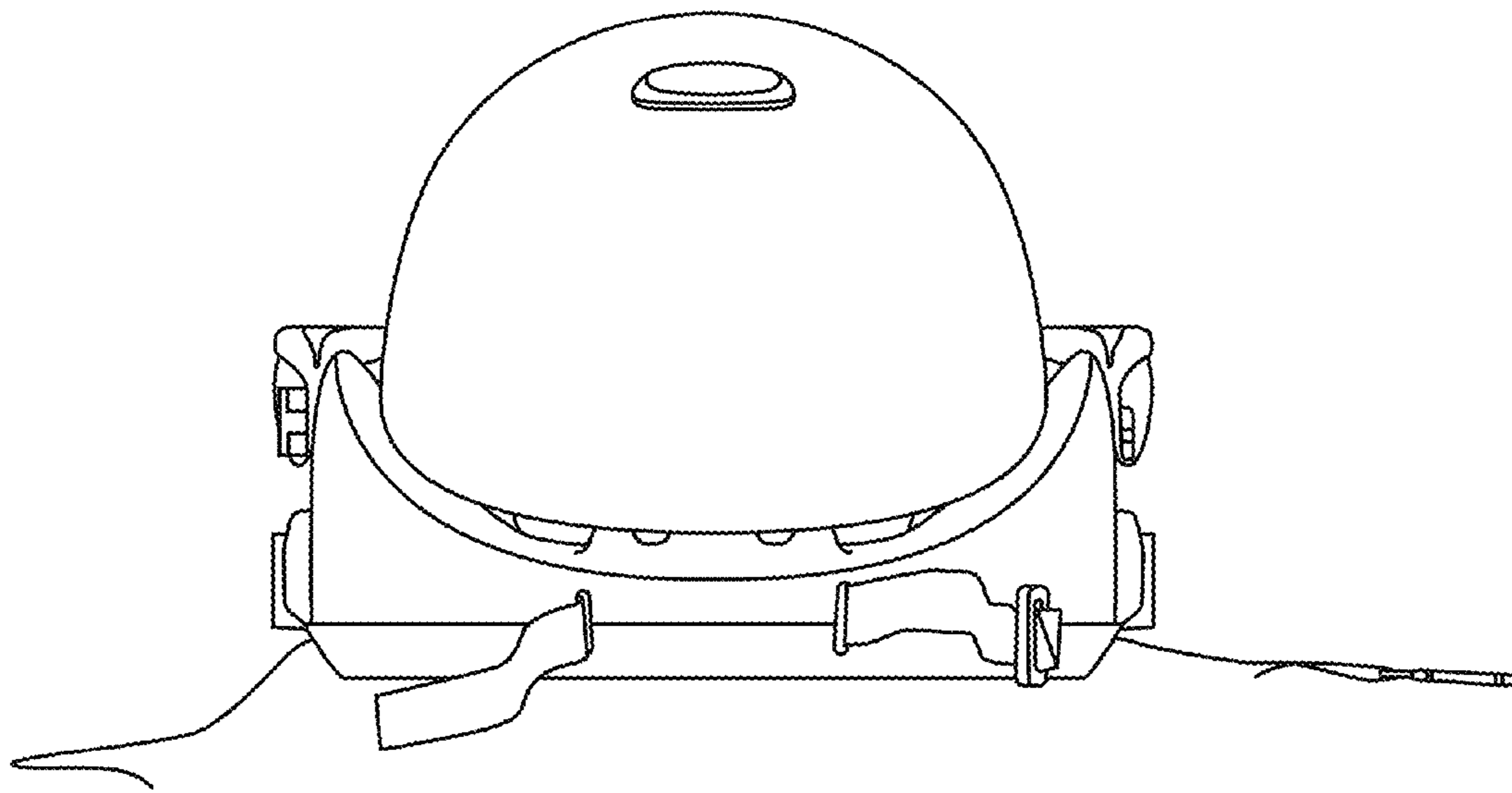


Fig. 2

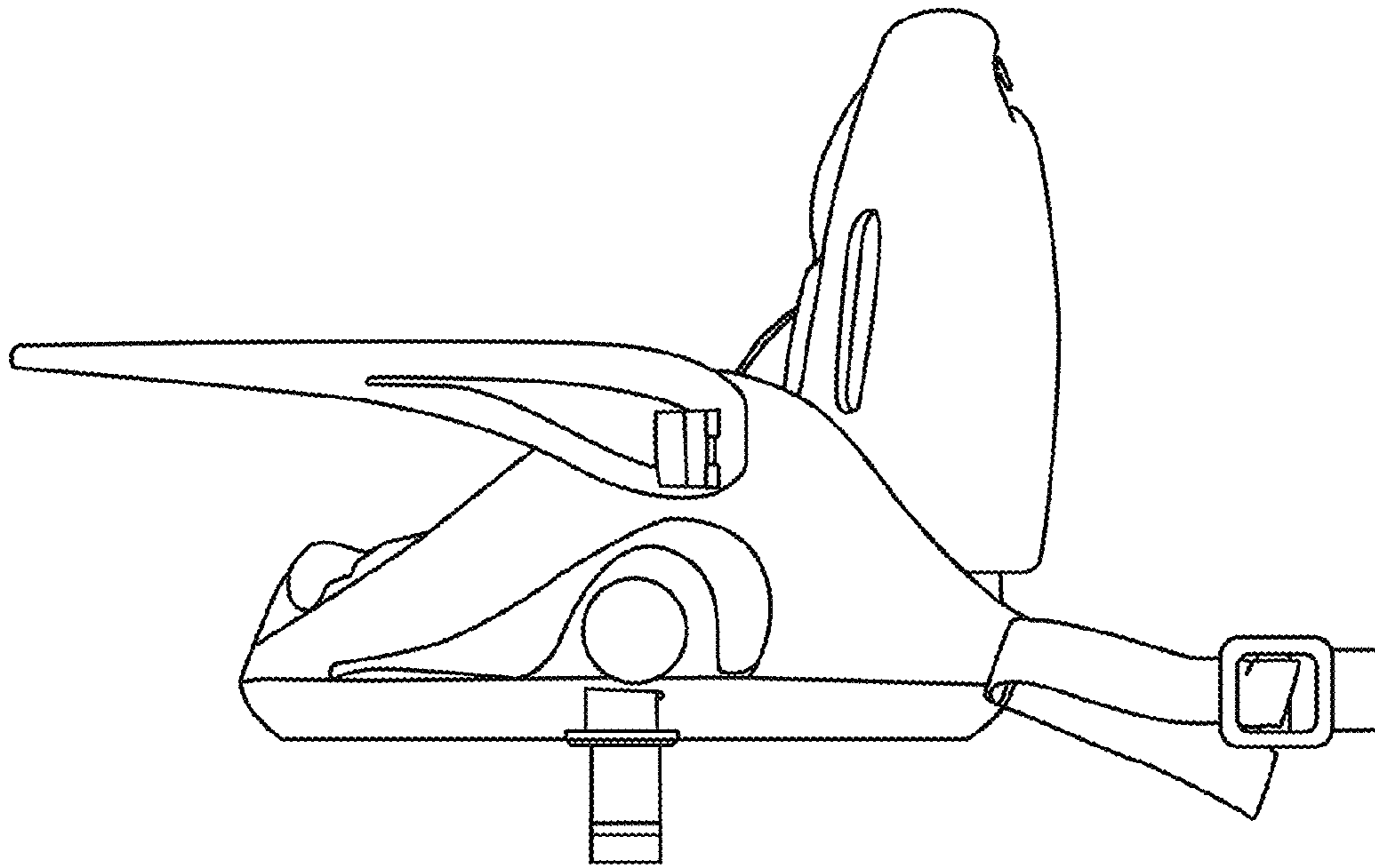


Fig. 3

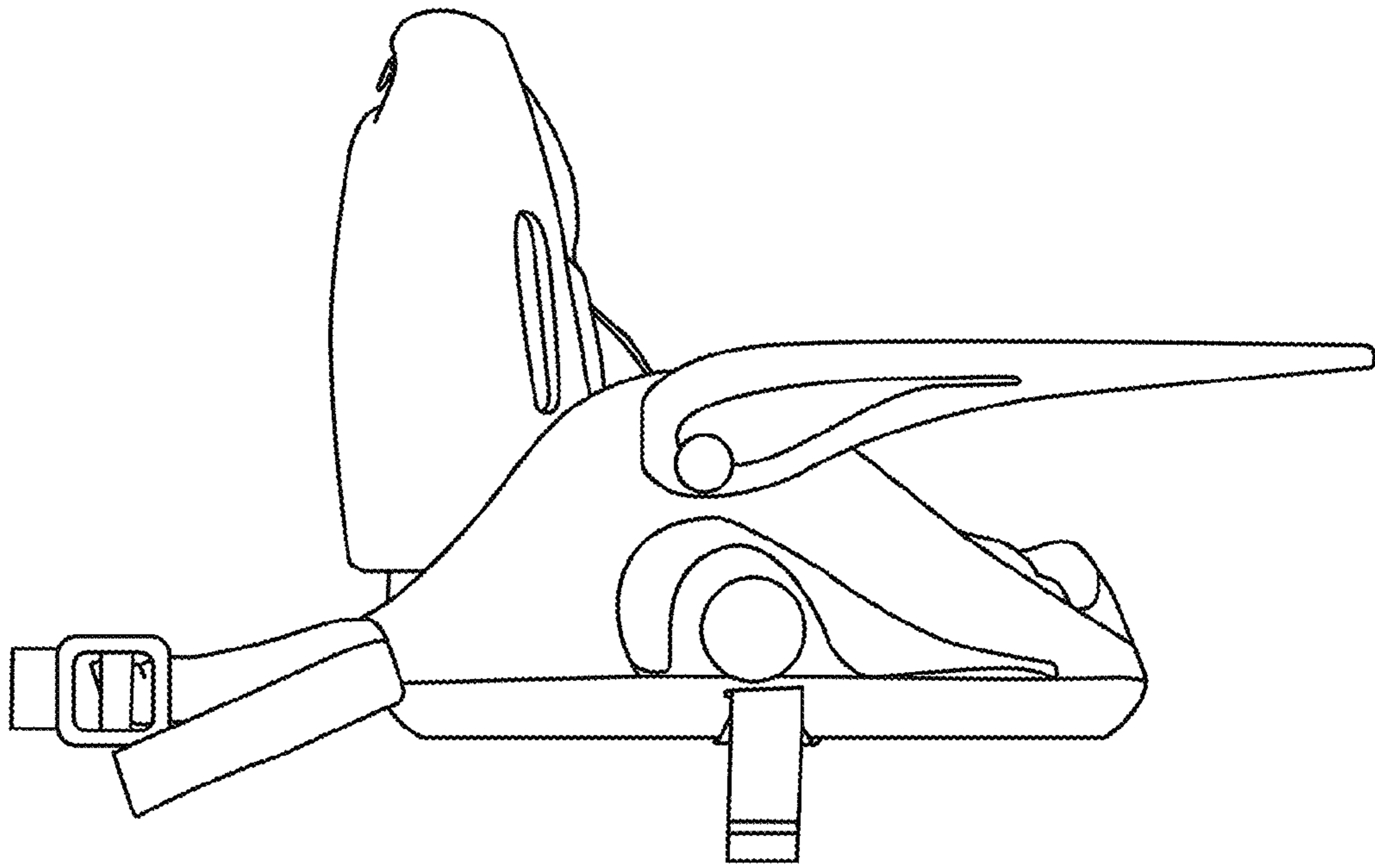


Fig. 4

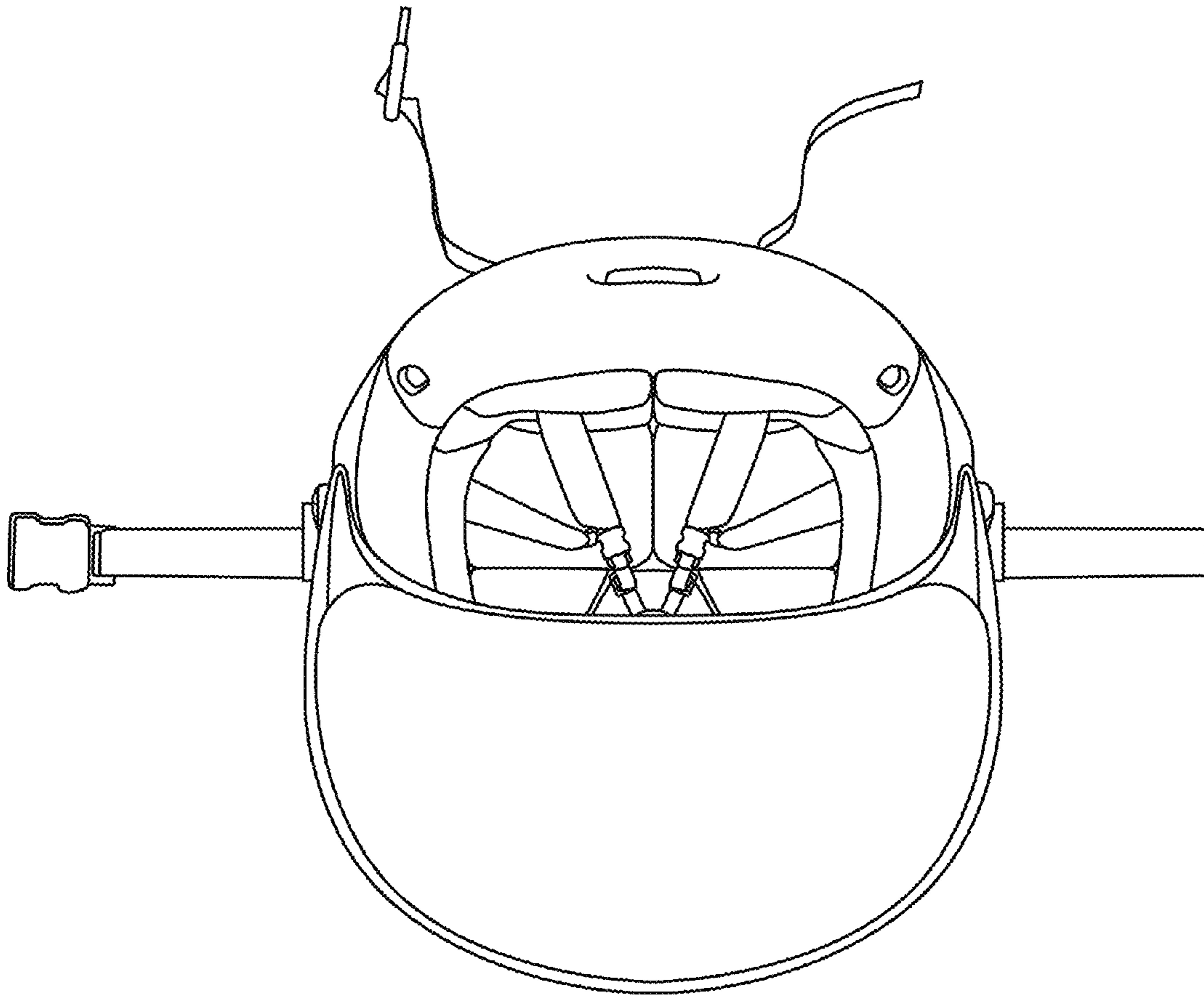


Fig. 5

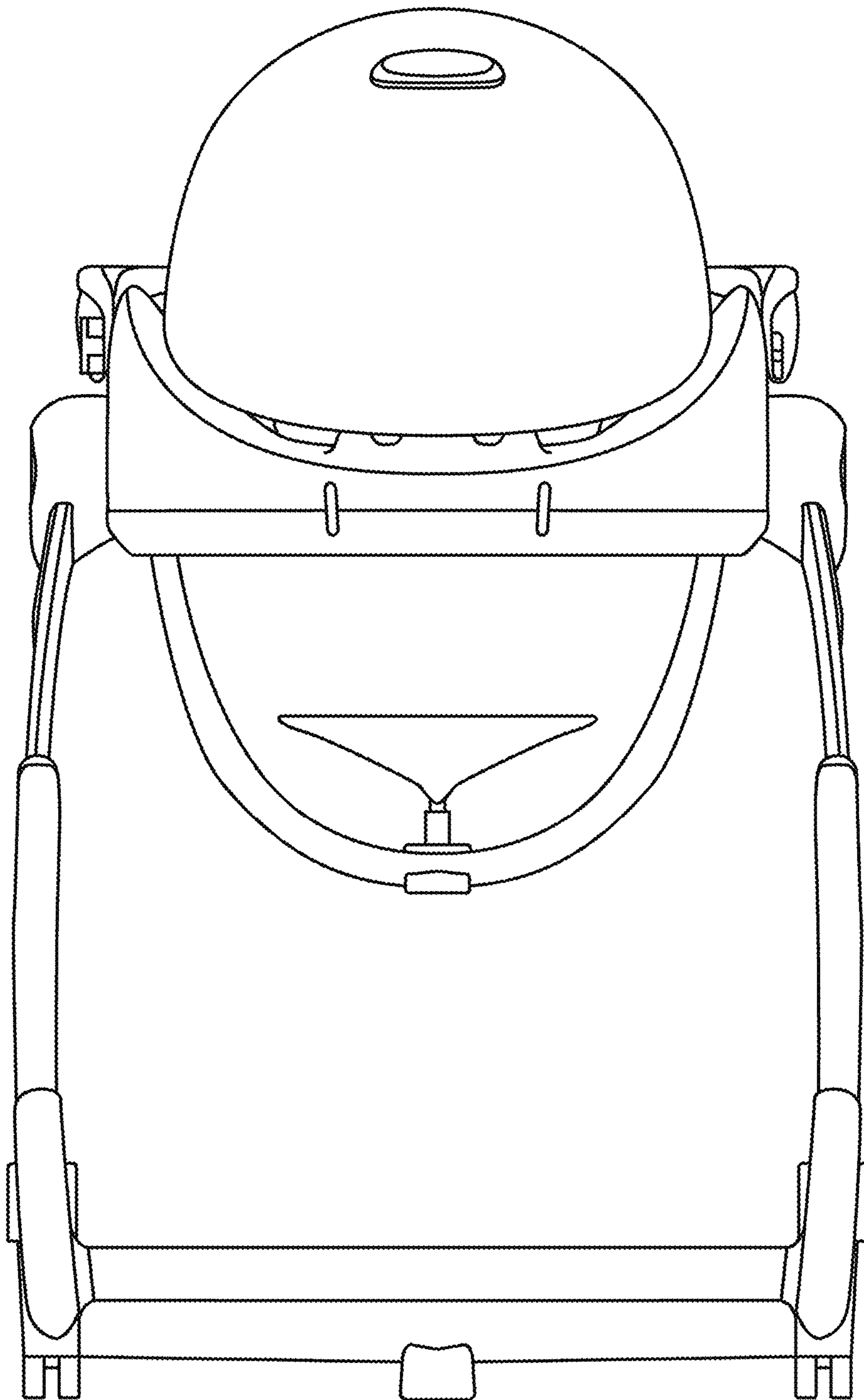


Fig. 6



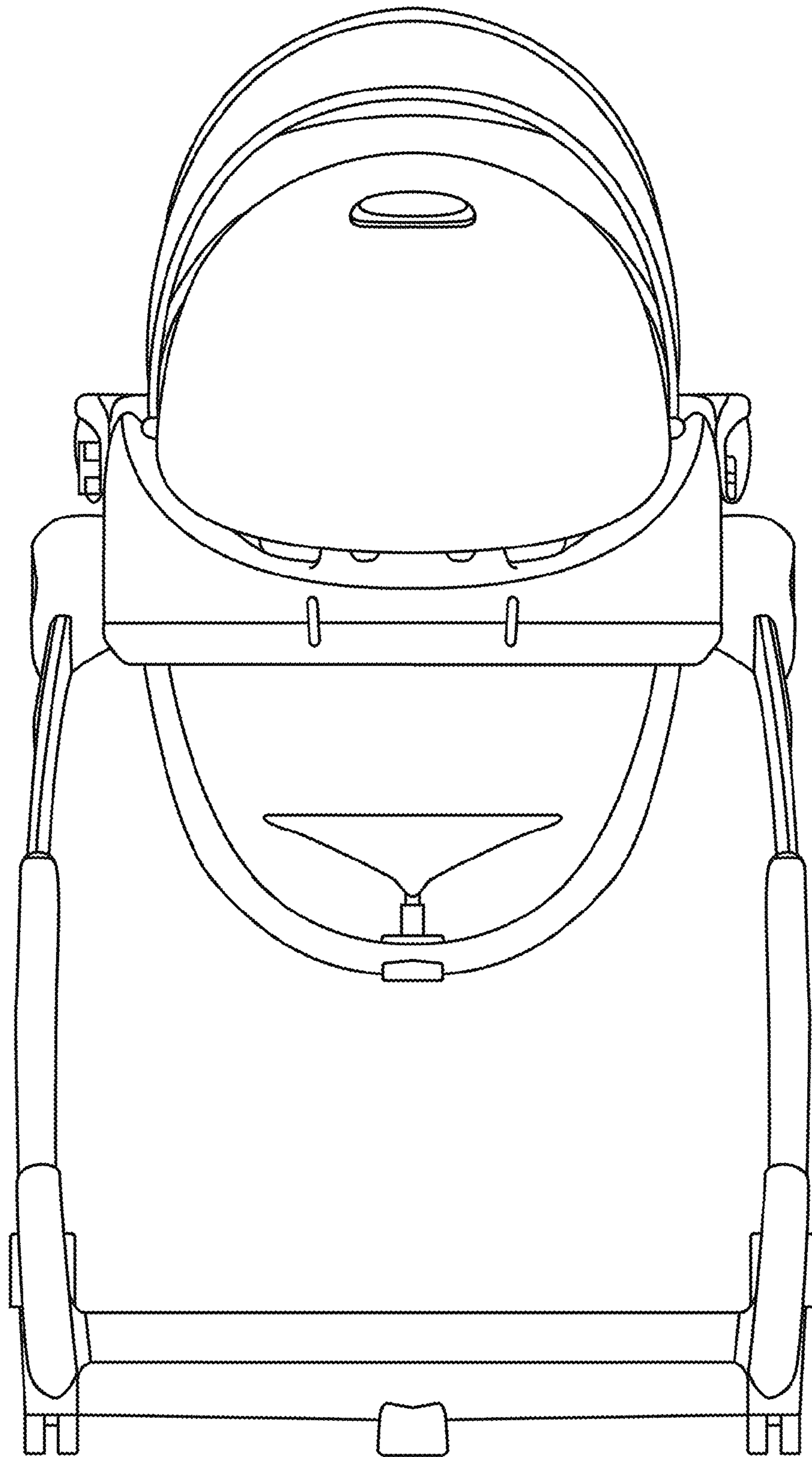


Fig. 7

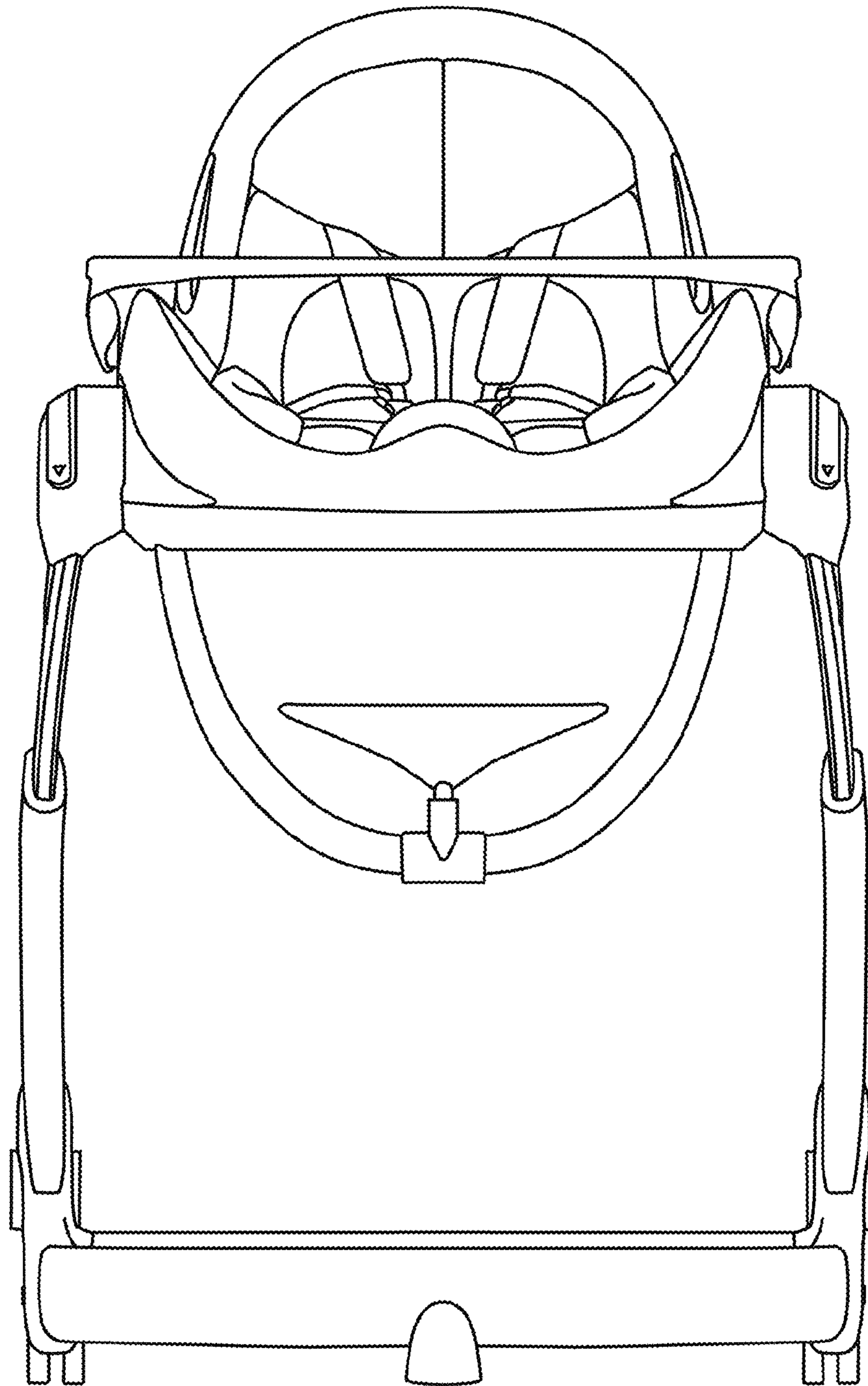


Fig. 8

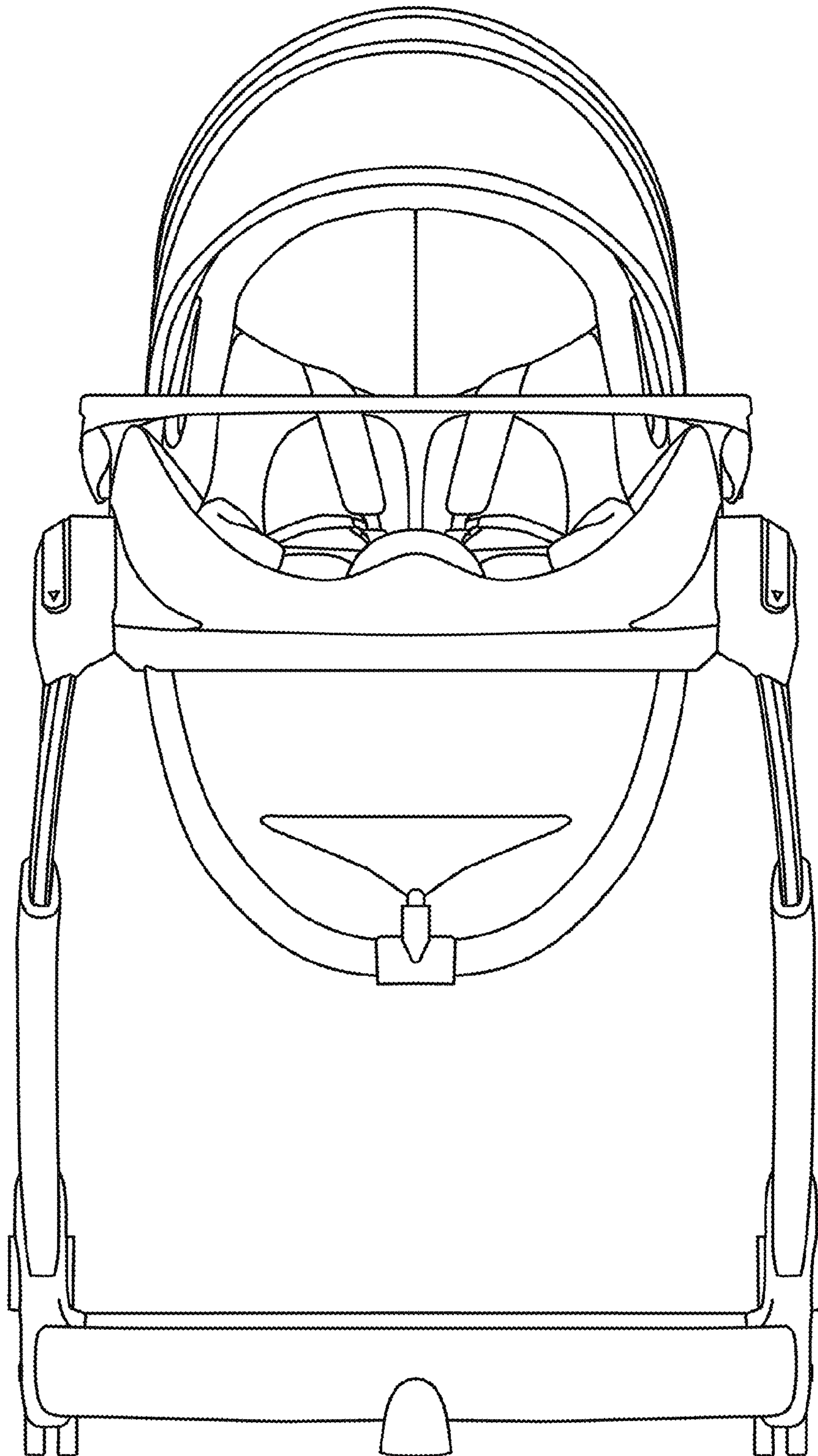


Fig. 9

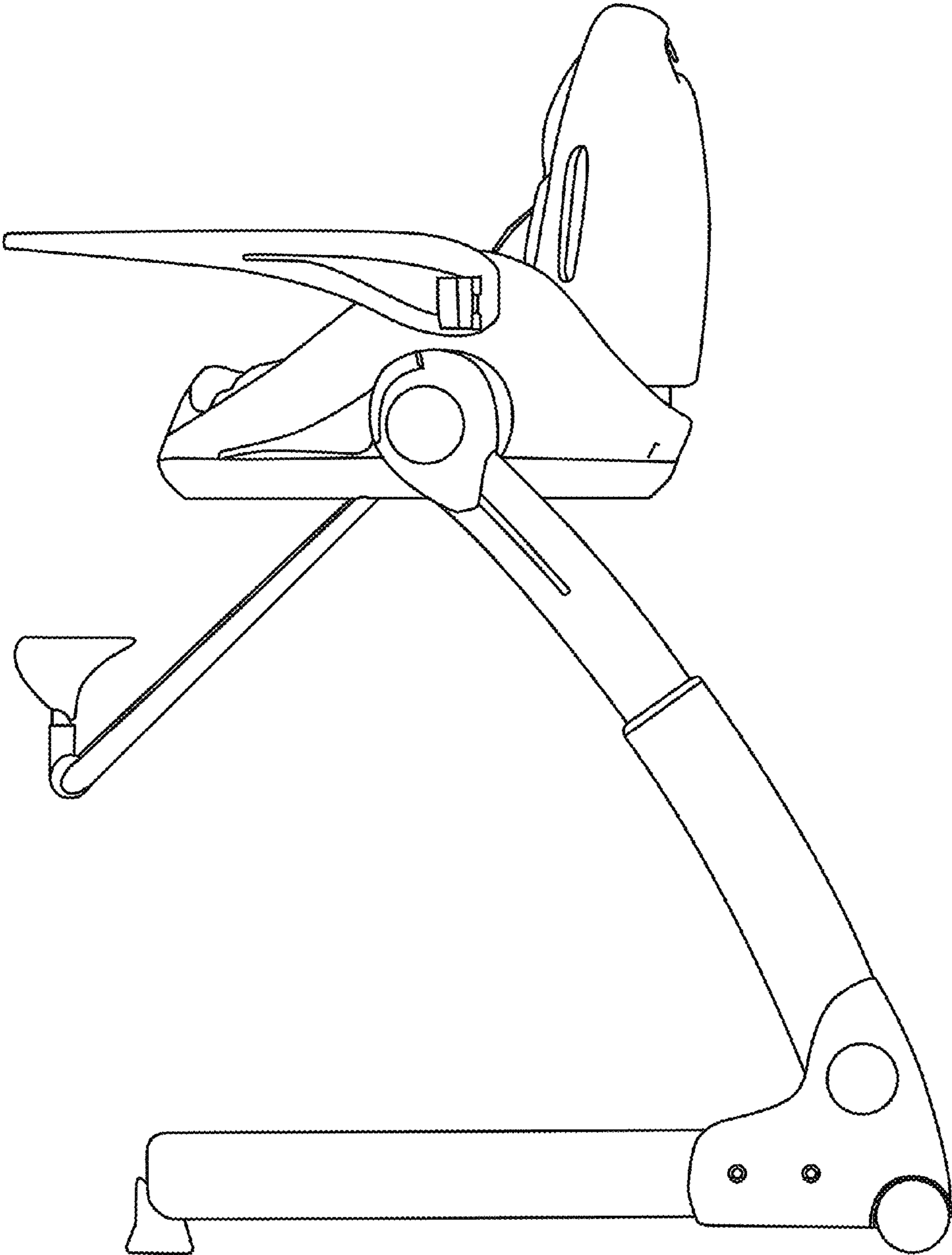


Fig. 10

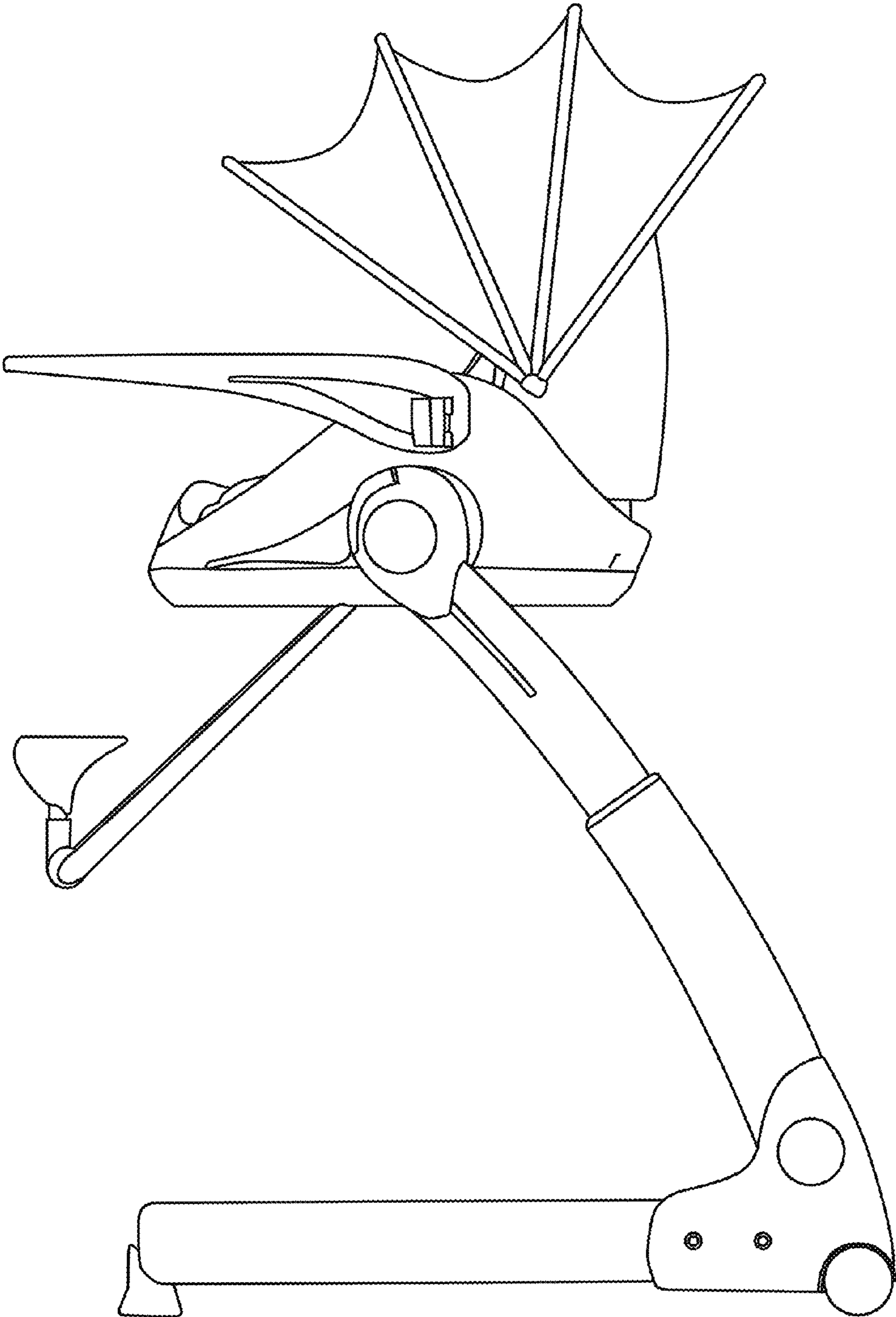


Fig. 11

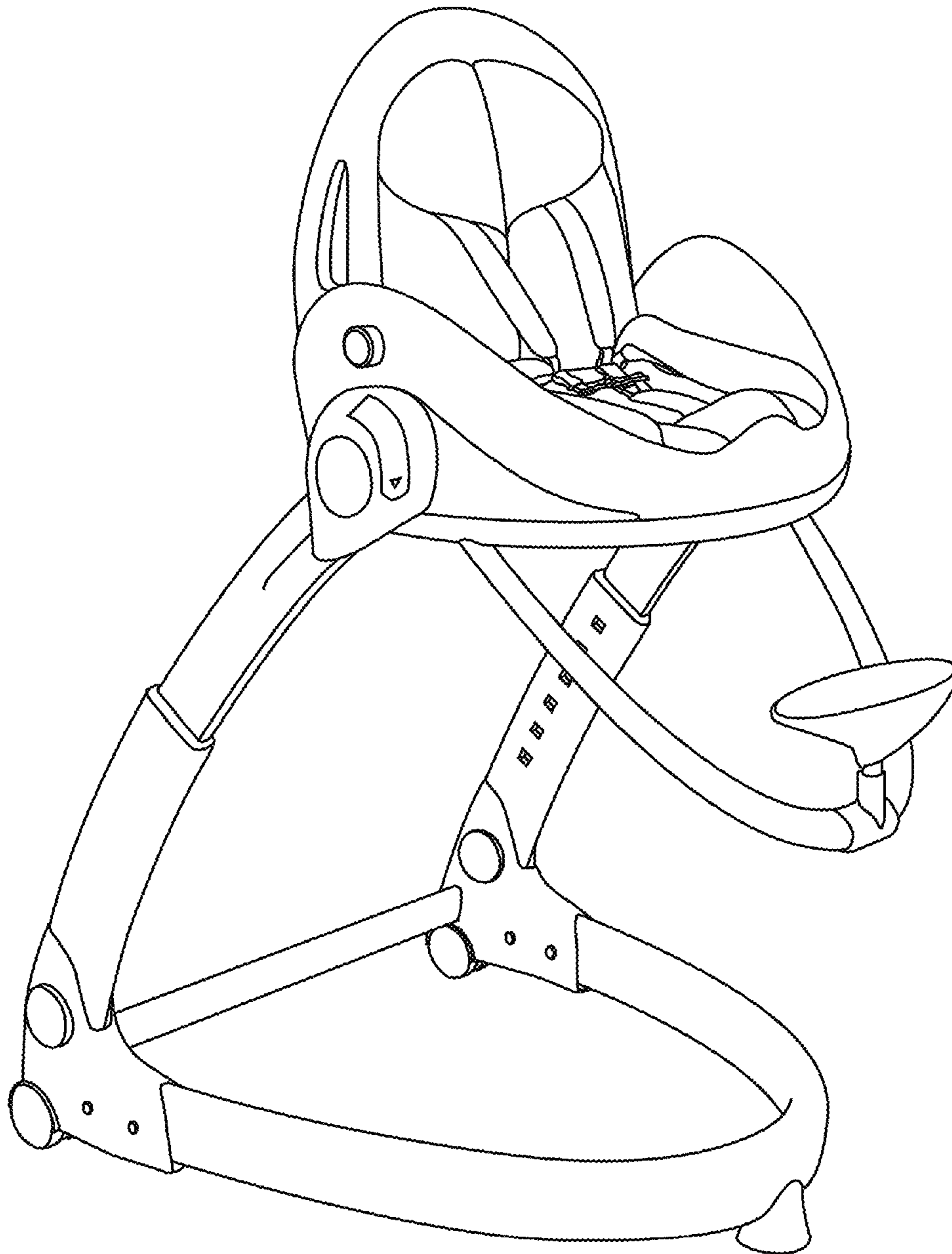


Fig. 12

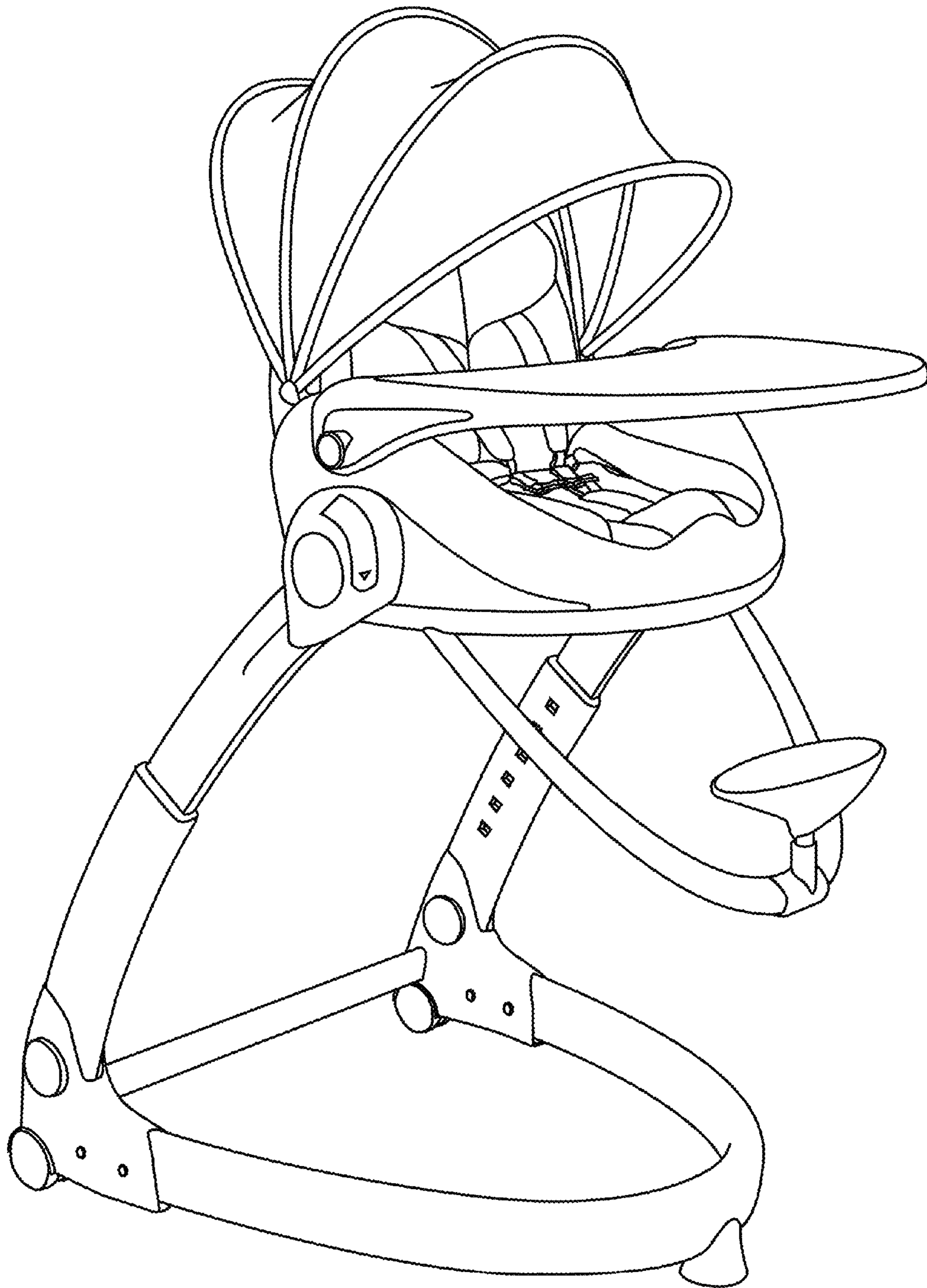


Fig. 13