

US00D764816S

(12) **United States Design Patent** (10) **Patent No.:** **US D764,816 S**  
**Jane Santamaria** (45) **Date of Patent:** **\*\* Aug. 30, 2016**

(54) **INFANT CHAIR FOR VEHICLES**

A47C 1/00; A47C 1/02; A47C 1/04; A47C 1/06

(71) Applicant: **JANE, S.A.**, Palau de Plegamans (Barcelona) (ES)

See application file for complete search history.

(72) Inventor: **Manuel Jane Santamaria**, Palau de Plegamans (ES)

(56) **References Cited**

(73) Assignee: **JANE, S. A.**, Palau de Plegamans (Barcelona) (ES)

U.S. PATENT DOCUMENTS

(\*\*) Term: **14 Years**

D338,343 S *	8/1993	Grange .....	D6/333
D450,935 S *	11/2001	Dranschak et al. ....	D6/333
D487,640 S *	3/2004	Chen .....	D6/333
D513,888 S *	1/2006	Jane Santamaria .....	D6/333
D523,646 S *	6/2006	Fretschner et al. ....	D6/333
D534,362 S *	1/2007	Batchelor .....	D6/333
D653,463 S *	2/2012	Hartenstine et al. ....	D6/333
D655,925 S *	3/2012	Hartenstine et al. ....	D6/333
D661,500 S *	6/2012	Hutchinson et al. ....	D6/333
D676,679 S *	2/2013	Cymbalski et al. ....	D6/333
D682,563 S *	5/2013	Goldberg .....	D6/333
D690,120 S *	9/2013	Goldberg .....	D6/356

(21) Appl. No.: **29/485,387**

(22) Filed: **Mar. 18, 2014**

(30) **Foreign Application Priority Data**

Sep. 18, 2013 (EM) ..... 002312017

(51) **LOC (10) Cl.** ..... **06-01**

(52) **U.S. Cl.**  
USPC ..... **D6/333**

(58) **Field of Classification Search**  
USPC ..... D6/333-336, 339, 344, 702, 716, D6/716.1-716.7; 297/183.1-183.4, 297/184.13, 184.15, 184.17, 250.1, 255, 297/256.1, 256.15, 219.12, 463.1; D12/129-130, 133; D21/412, 428, D21/419; 280/30-31; 5/94, 98.1, 99.1, 5/101-102, 105, 655, 93.1, 12.1; 24/200  
CPC ..... A47D 13/02; A47D 13/10; A47D 1/00; A47D 1/002; A47D 1/004; B60N 2/22; B60N 2/24; A47C 7/021; A47C 7/022; A47C 7/002; A47C 7/18; A47C 7/24; A47C 3/00; A47C 3/02; A47C 3/025; A47C 3/20;

\* cited by examiner

*Primary Examiner* — Abraham Bahta

(74) *Attorney, Agent, or Firm* — Dowell & Dowell, PC

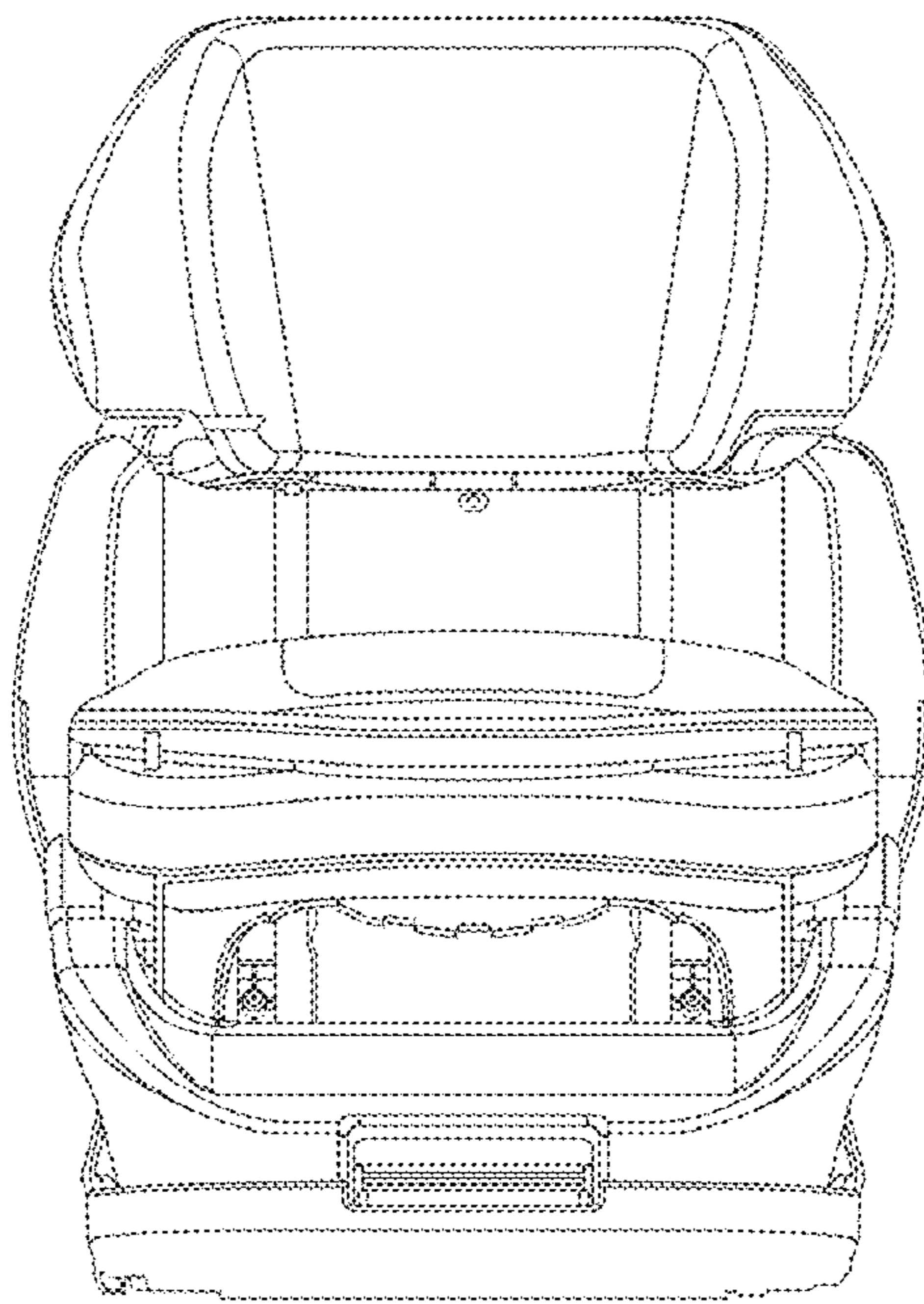
(57) **CLAIM**

The ornamental design for an infant chair for vehicles, as shown and described.

**DESCRIPTION**

FIG. 1 is a front view of an infant chair for vehicles showing the new design;  
FIG. 2 is a side view of the invention shown in FIG. 1;  
FIG. 3 is a front perspective view of the invention shown in FIG. 1; and,  
FIG. 4 is a rear perspective view of the invention shown in FIG. 1.

**1 Claim, 4 Drawing Sheets**



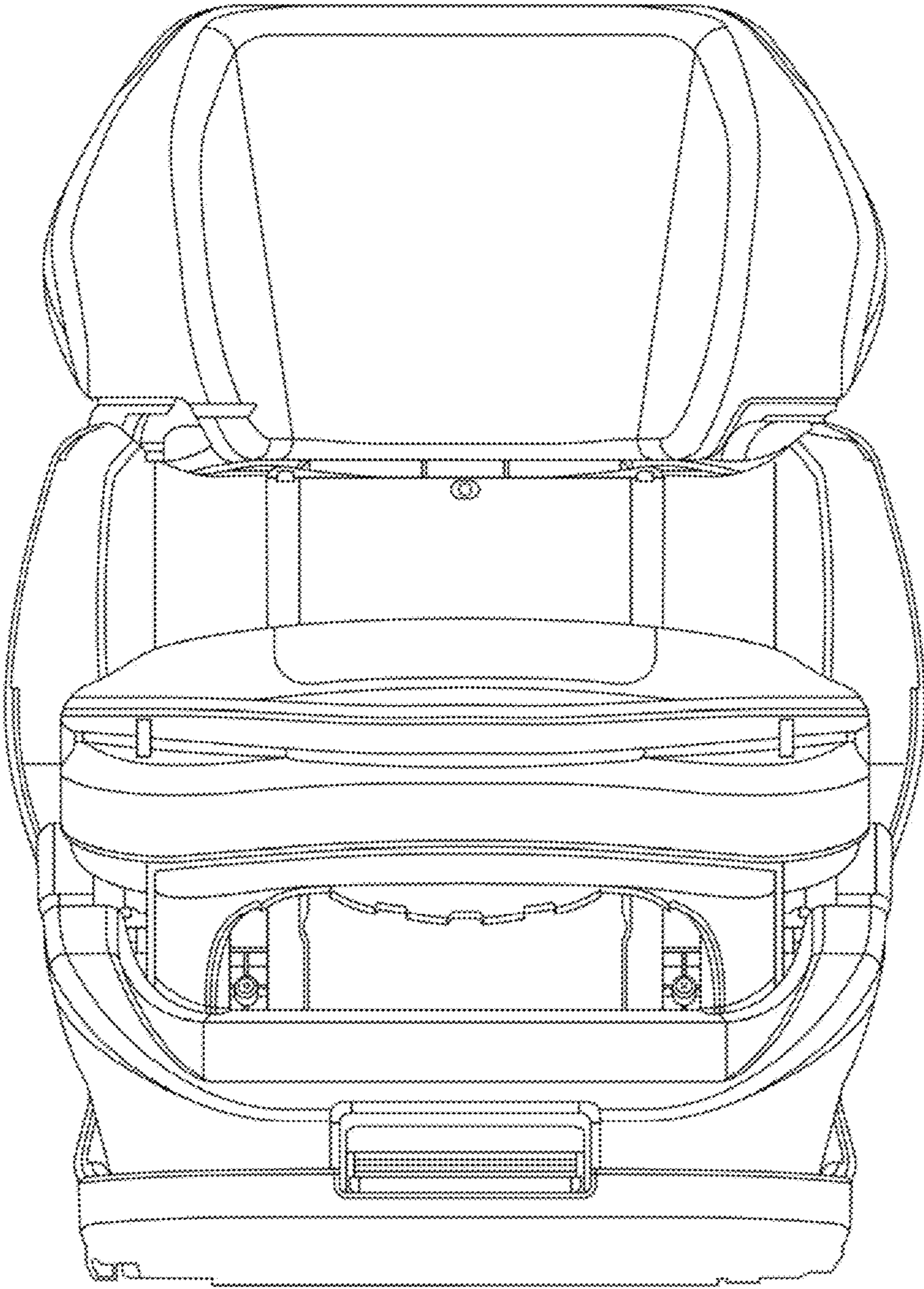


FIG. 1

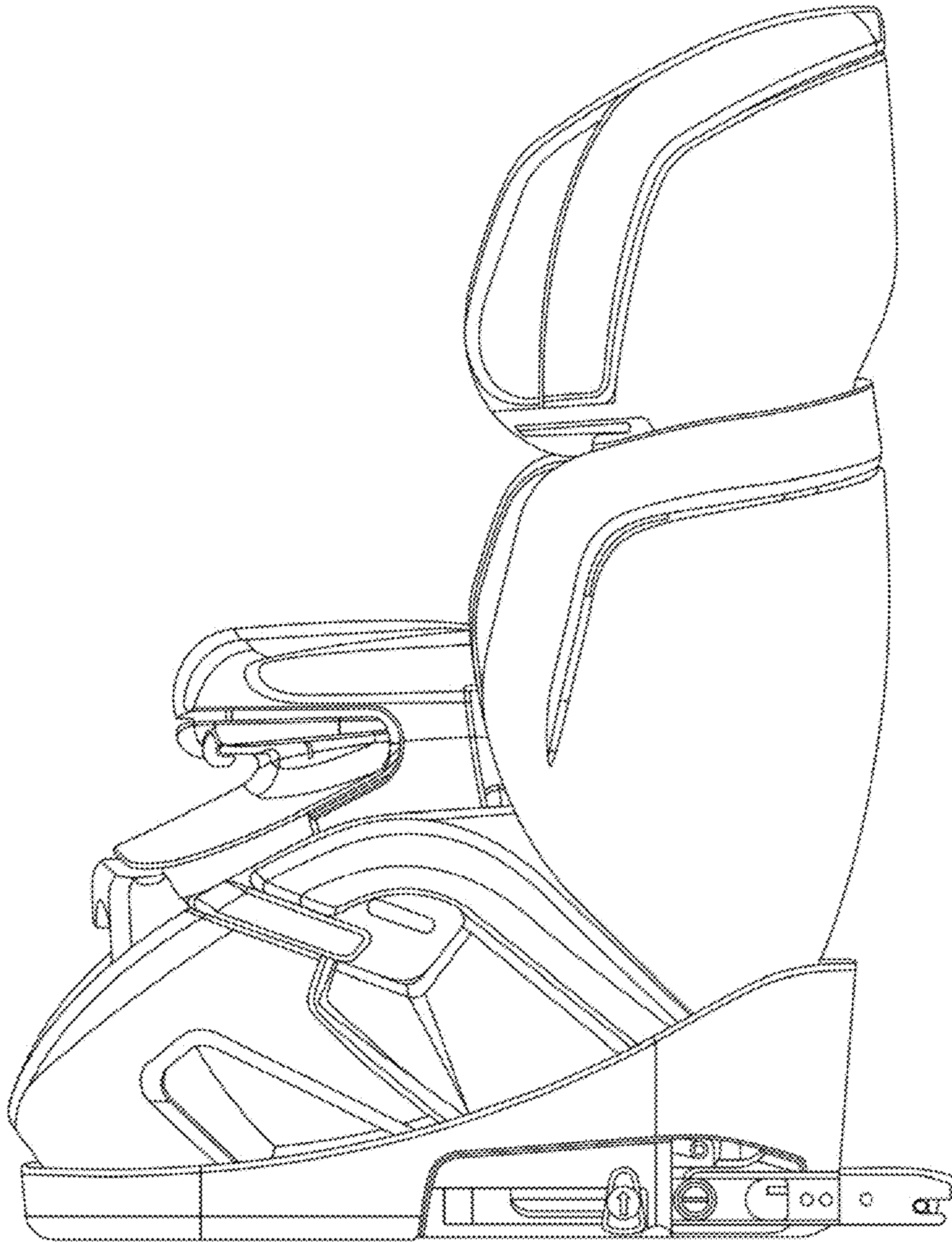


FIG. 2

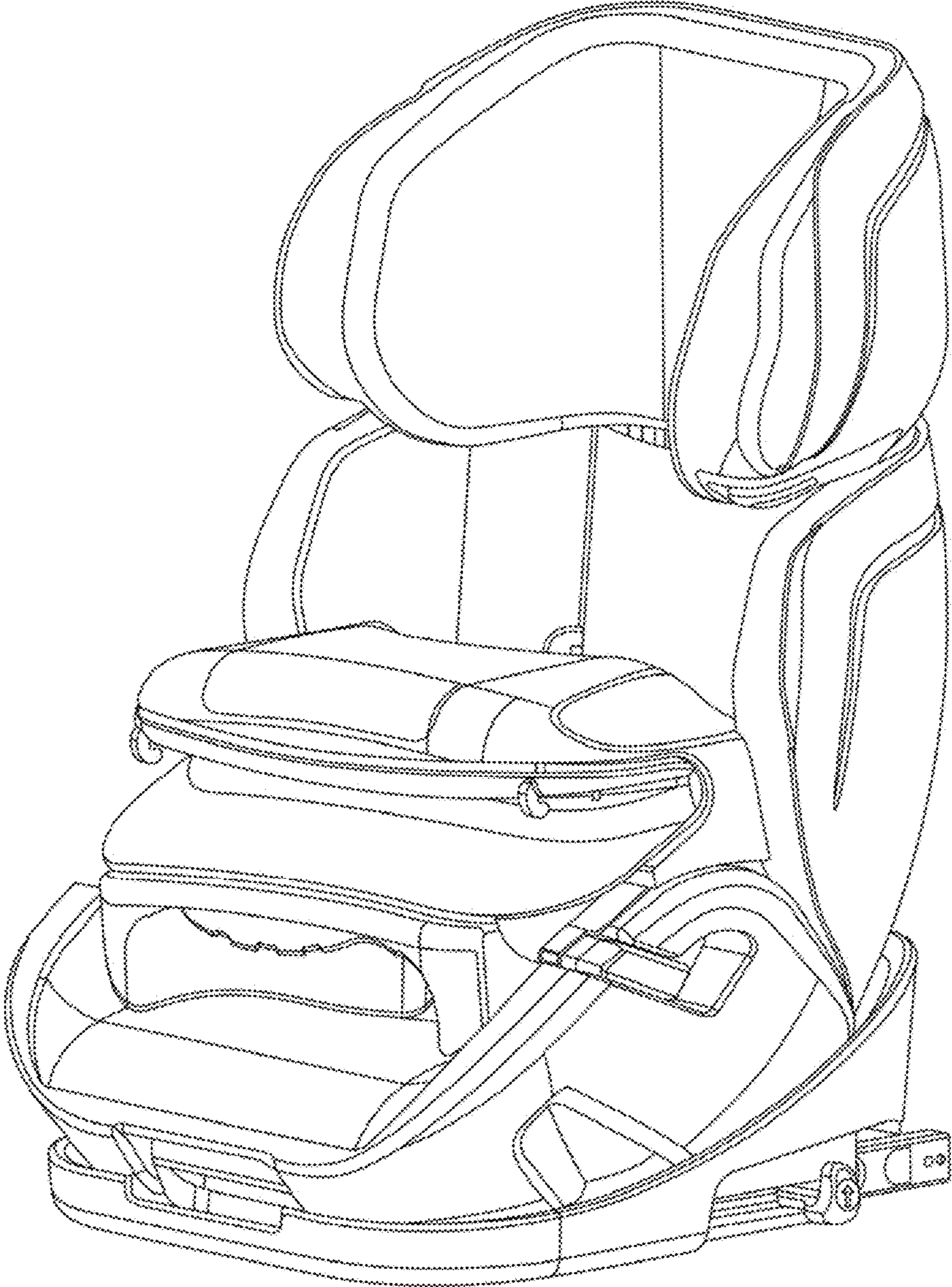


FIG. 3

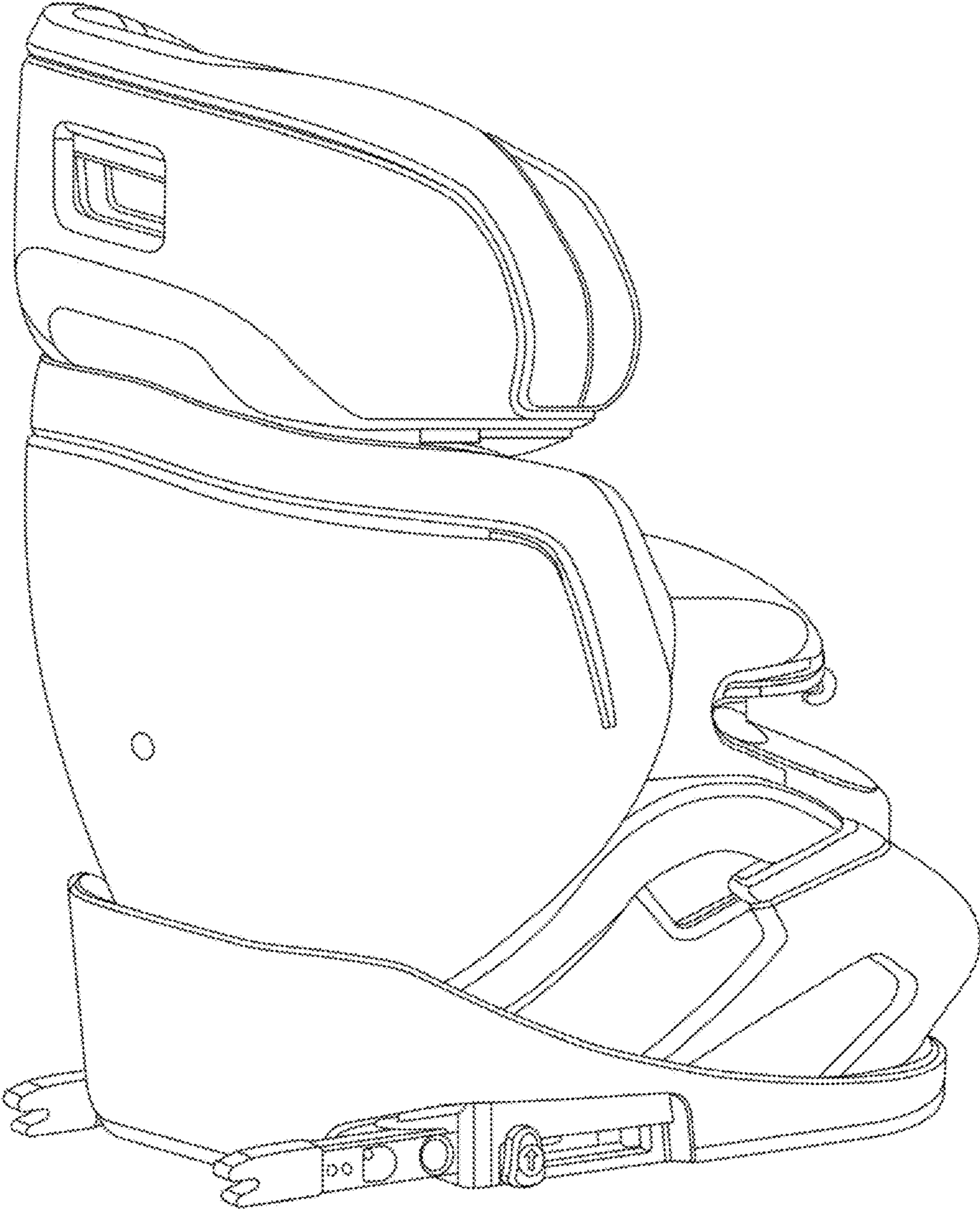


FIG. 4