



US00D764807S

(12) **United States Design Patent** (10) **Patent No.:** **US D764,807 S**
Waitesmith (45) **Date of Patent:** **** Aug. 30, 2016**

(54) **COSMETIC BRUSH**

FOREIGN PATENT DOCUMENTS

(75) Inventor: **Matthew Waitesmith**, Jersey City, NJ (US)

CN 201384204 Y * 1/2010 A46B 5/00
CN 301434919 S * 1/2011
KR 102653 S * 6/1990
KR 30-0488904 S * 4/2008

(73) Assignee: **ARTIS LLC**, Jersey City, NJ (US)

* cited by examiner

(**) Term: **14 Years**

Primary Examiner — Manpreet Matharu

(21) Appl. No.: **29/426,169**

Assistant Examiner — Aula Soroush

(22) Filed: **Jul. 2, 2012**

(74) *Attorney, Agent, or Firm* — Cozen O'Connor

(51) **LOC (10) Cl.** **04-02**

(57) **CLAIM**

(52) **U.S. Cl.**

The ornamental design for a cosmetic brush, as shown and described.

USPC **D4/132**

DESCRIPTION

(58) **Field of Classification Search**

USPC D4/104–112, 132, 134, 136, 138;
15/143.1, 159.1, 160, 167.1, 167.2,
15/167.3, 186–188; D28/7, 20; 16/430,
16/431; 132/216, 218, 313, 317, 320
CPC A46B 1/00; A46B 3/00; A46B 3/02;
A46B 3/04; A46B 3/22; A46B 5/00; A46B
5/02; A46B 5/021; A46B 5/023; A46B
5/025; A46B 9/00; A46B 9/005; A46B 9/02;
A46B 9/021; A46B 2200/1046
See application file for complete search history.

FIG. 1 is an upper perspective view of a cosmetic brush showing my new design.

FIG. 2 is a top view of a cosmetic brush showing my new design.

FIG. 3 is a bottom view of a cosmetic brush showing my new design.

FIG. 4 is a first side view of a cosmetic brush showing my new design.

FIG. 5 is a second side view of a cosmetic brush showing my new design.

FIG. 6 is an enlarged rear view of a cosmetic brush showing my new design.

FIG. 7 is an enlarged frontal view of a cosmetic brush showing my new design; and,

FIG. 8 is a magnified view of the head portion of the cosmetic brush shown in FIG. 3.

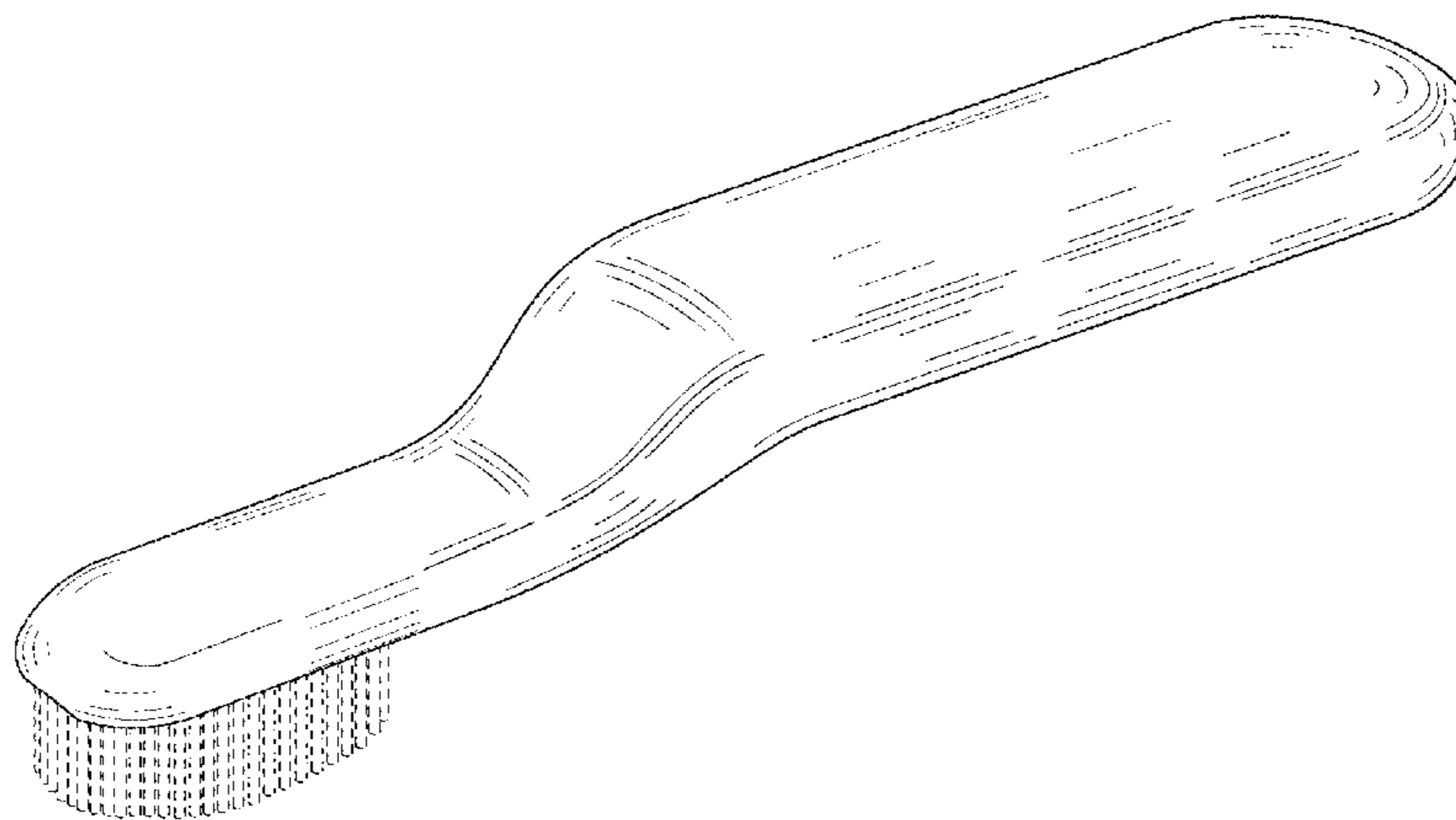
The broken lines showing bristles illustrate portions of the cosmetic brush that form no part of the claimed design.

(56) **References Cited**

U.S. PATENT DOCUMENTS

1,193,287 A * 8/1916 Morgan 15/188
D54,815 S * 4/1920 Campbell D4/132
2,719,998 A * 10/1955 Hibbs 15/172
5,450,865 A * 9/1995 Park 132/218
6,050,273 A * 4/2000 Lhuisset 132/317
2004/0226572 A1 * 11/2004 Baker 132/216
2010/0132731 A1 * 6/2010 Waitesmith 132/200

1 Claim, 8 Drawing Sheets



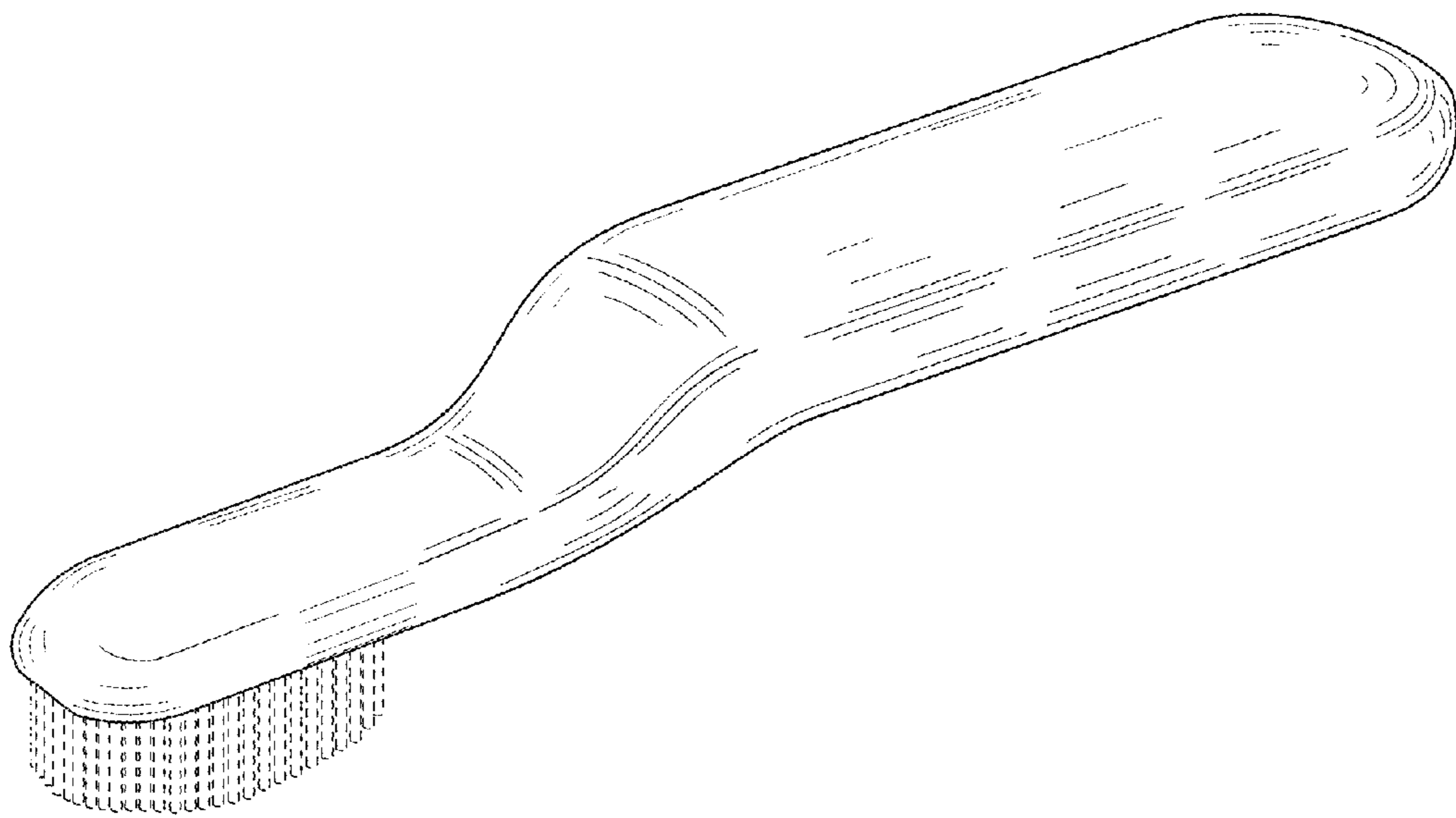


FIG. 1

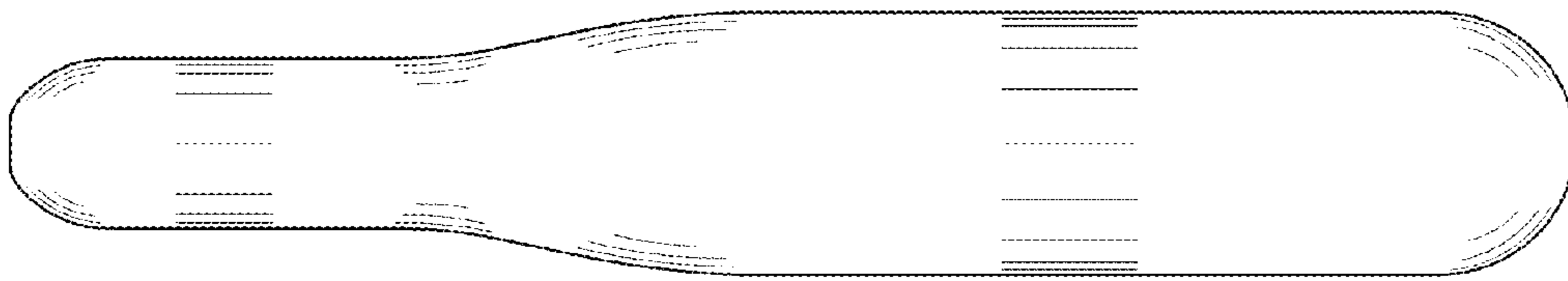


FIG. 2

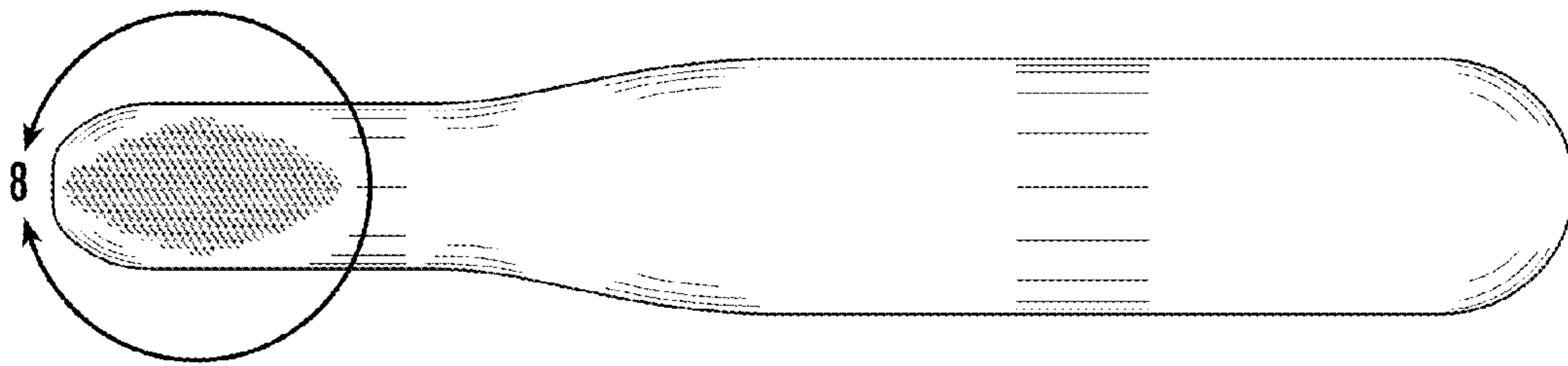


FIG. 3

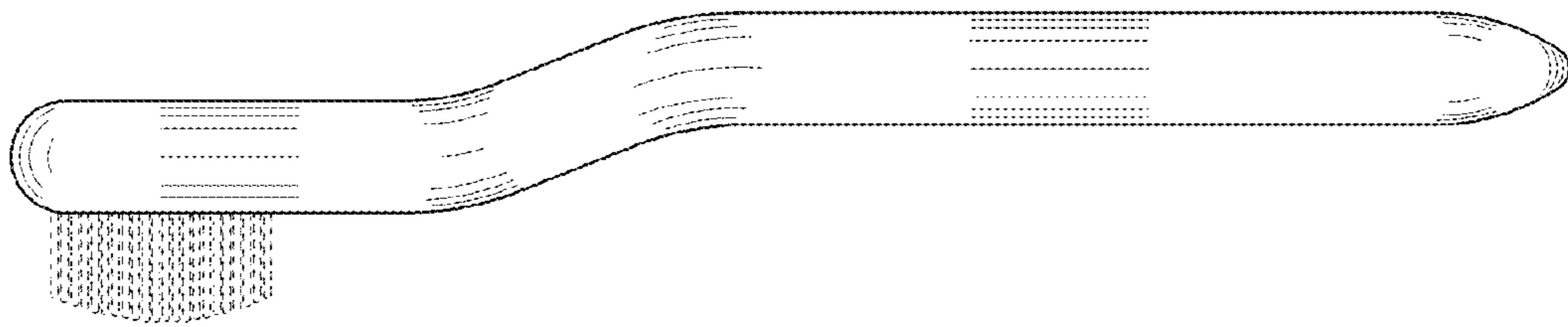


FIG. 4

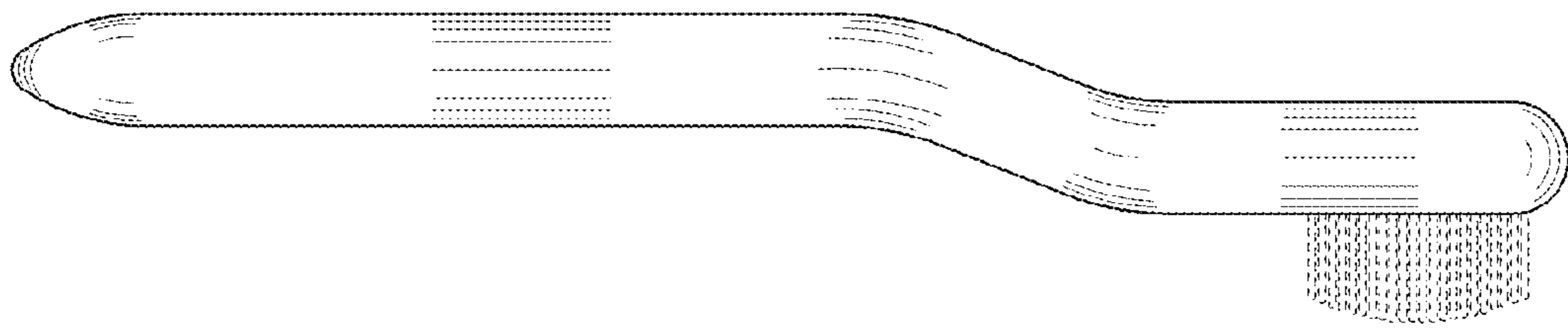


FIG. 5

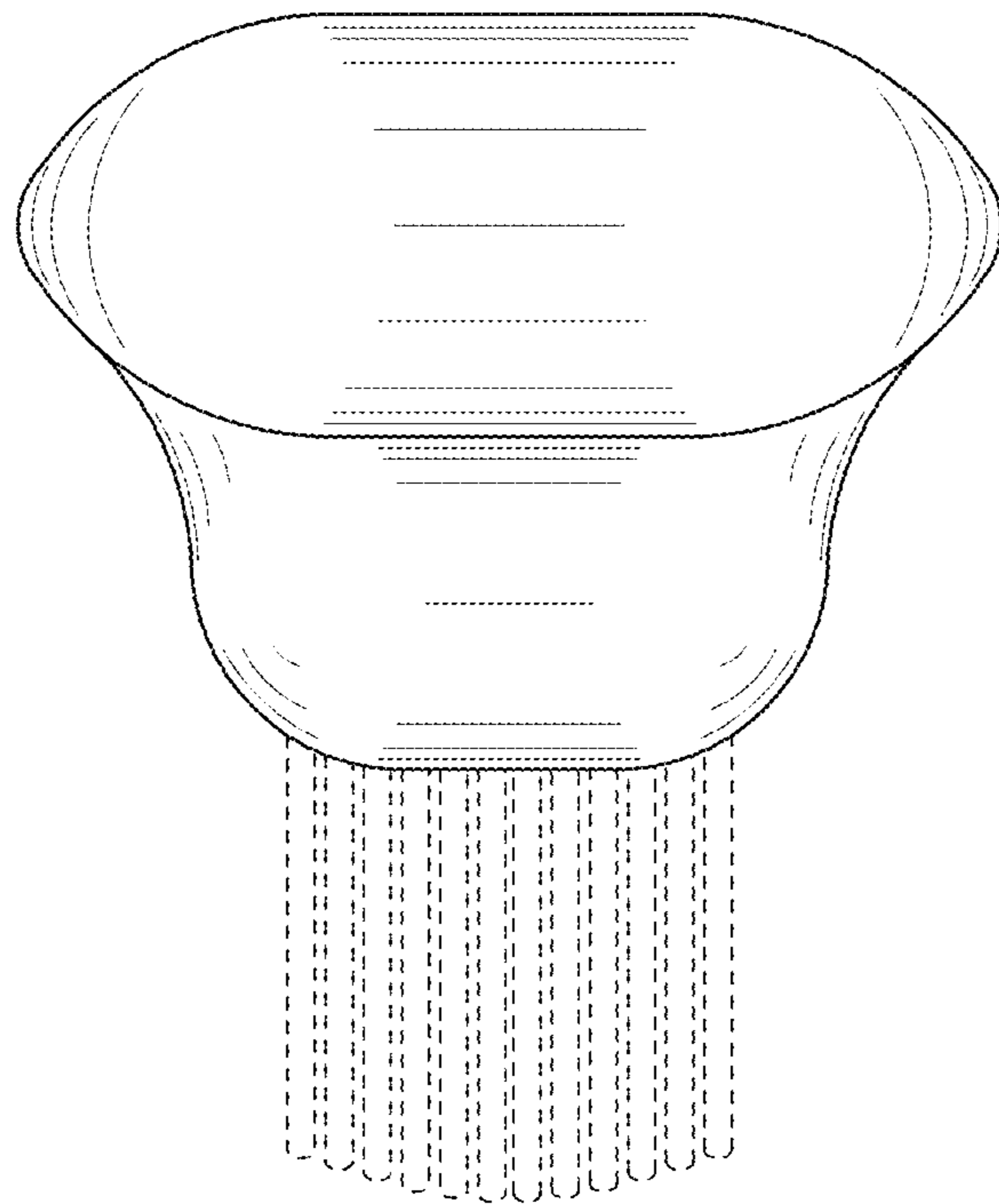


FIG. 6

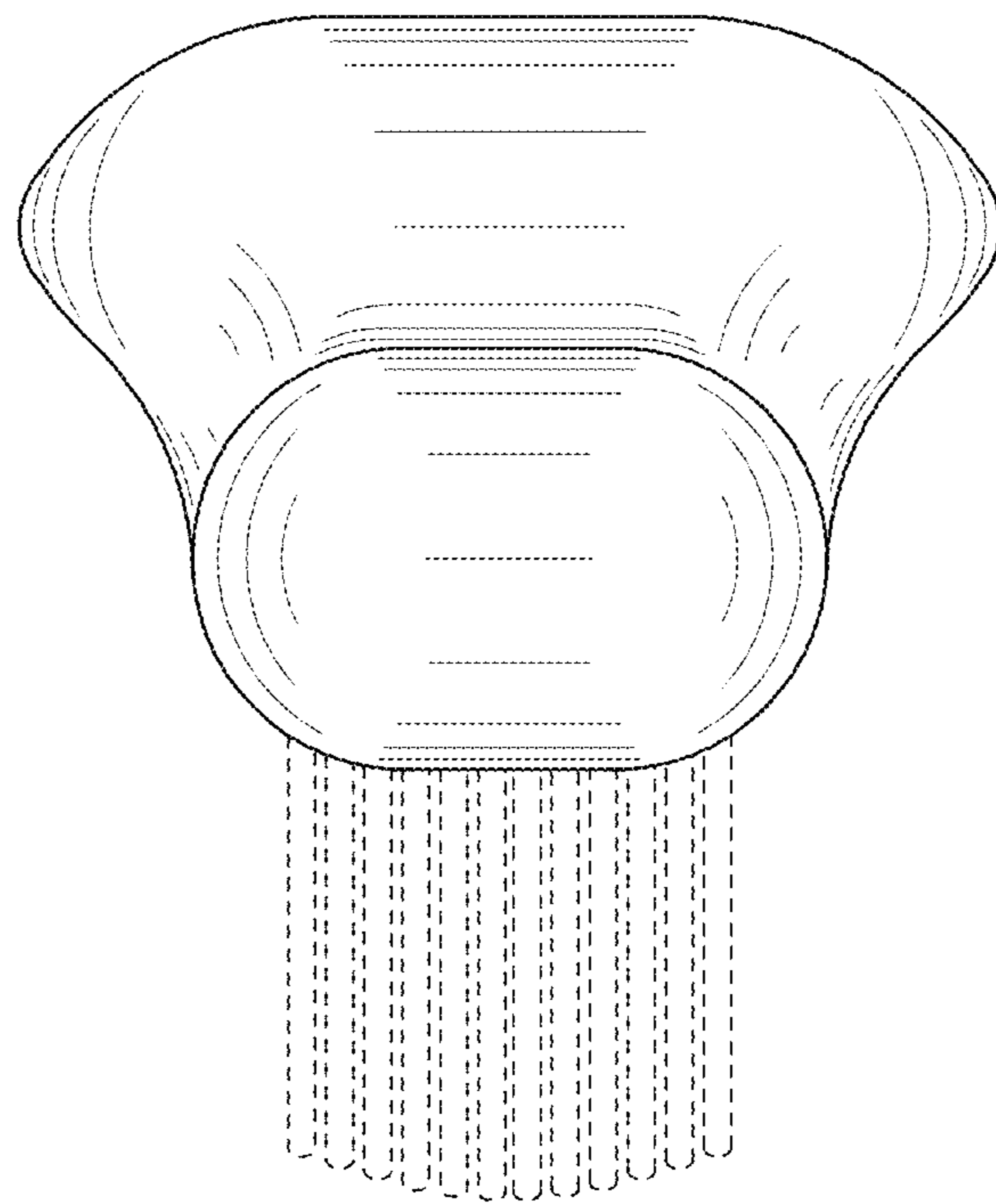


FIG. 7

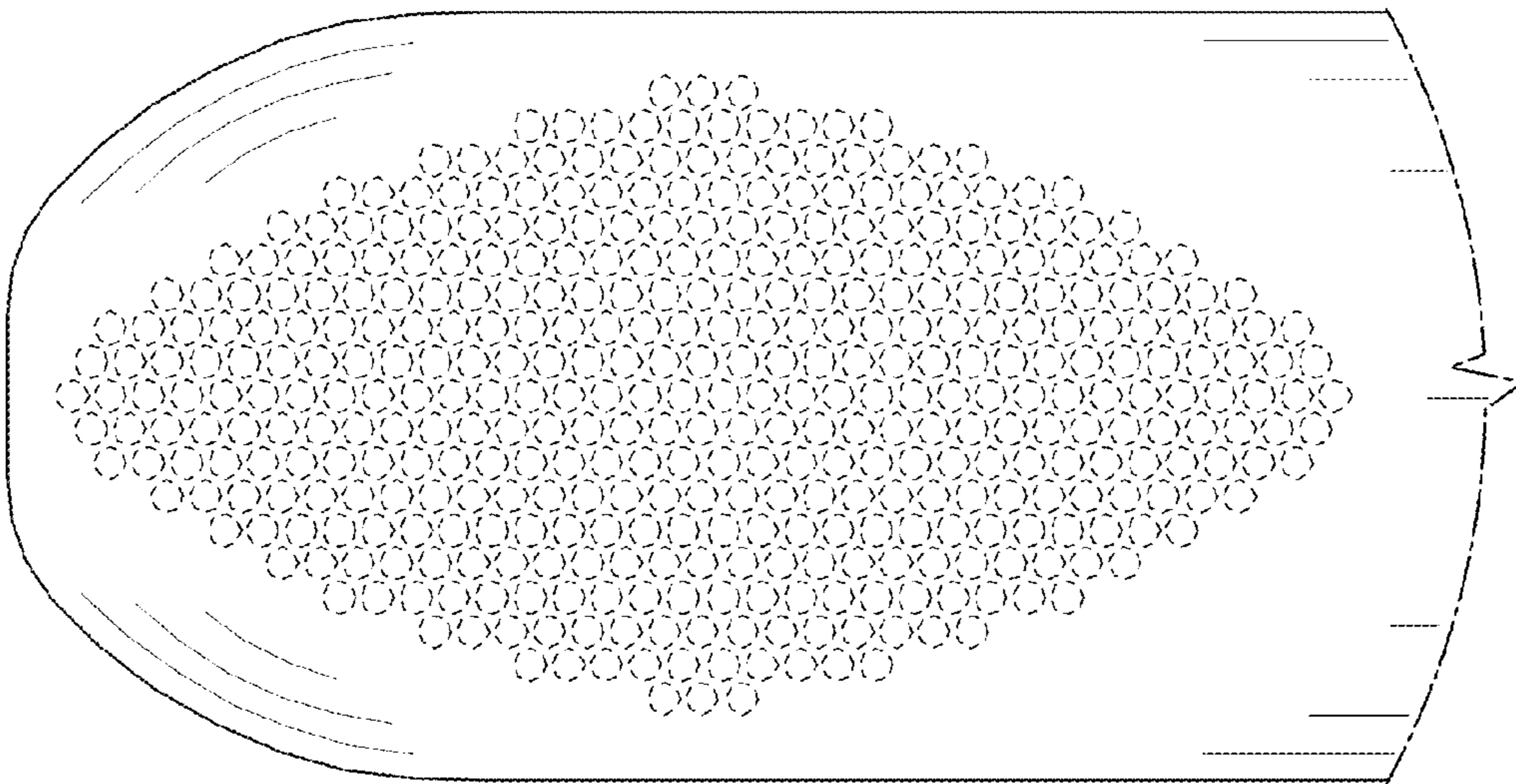


FIG. 8