



US00D764806S

(12) **United States Design Patent**
Prat-Pfister

(10) **Patent No.:** **US D764,806 S**

(45) **Date of Patent:** **** Aug. 30, 2016**

(54) **BRUSH FOR SHAVER**

(71) Applicant: **KONINKLIJKE PHILIPS N.V.**,
Eindhoven (NL)

(72) Inventor: **Gael Louis Jacques Prat-Pfister**,
Amersfoort (NL)

(73) Assignee: **KONINKLIJKE PHILIPS N.V.**,
Eindhoven (NL)

(**) Term: **14 Years**

(21) Appl. No.: **29/476,637**

(22) Filed: **Dec. 16, 2013**

(30) **Foreign Application Priority Data**

Jun. 17, 2013 (EM) 002256719-0001

(51) **LOC (10) Cl.** **04-01**

(52) **U.S. Cl.**
USPC **D4/127**

(58) **Field of Classification Search**

USPC D4/100, 102, 127; 15/28, 29, 34, 36,
15/176.1, 176.2, 176.4; D24/146, 214,
D24/215; D28/63; 601/112, 114, 136, 137
CPC A46B 3/00; A46B 3/005; A46B 3/02;
A46B 3/04; A46B 3/22; A46B 5/0095;
A46B 7/00; A46B 7/04; A46B 7/042; A46B
7/046; A46B 7/06; A46B 7/08; A46B 9/00;
A46B 9/005; A46B 9/02; A46B 9/026;
A46B 9/028; A46B 13/00; A46B 13/008;
A46B 13/02; A46B 13/026; A46B 13/08;
A46B 2200/102; A46B 2200/1033; A47L
23/06; A61H 7/00; A61H 7/002; A61H 7/003;
A61H 7/004; A61H 7/005; A61H 2205/022

See application file for complete search history.

(56) **References Cited**

U.S. PATENT DOCUMENTS

D46,240 S * 8/1914 Williams D24/211
5,471,695 A * 12/1995 Aiyar A46B 13/02
15/22.1
D636,933 S * 4/2011 Newman D28/7
2013/0060176 A1 * 3/2013 Nichols A46B 13/023
601/137

FOREIGN PATENT DOCUMENTS

WO WO 2013133468 A1 * 9/2013 A61H 39/06

OTHER PUBLICATIONS

WIPO DM/063496 Registered Design, (Koninklijke Philips Elec-
tronics N.V.) Jun. 11, 2003, [online], [retrieved on Jun. 2, 2015]
Retrieved from the Hague Express Design Database of the World
Intellectual Property Organization using the Internet: <URL: http://
www.wipo.int>.*

* cited by examiner

Primary Examiner — Rosemary K Tarcza

Assistant Examiner — Christy Nemeth

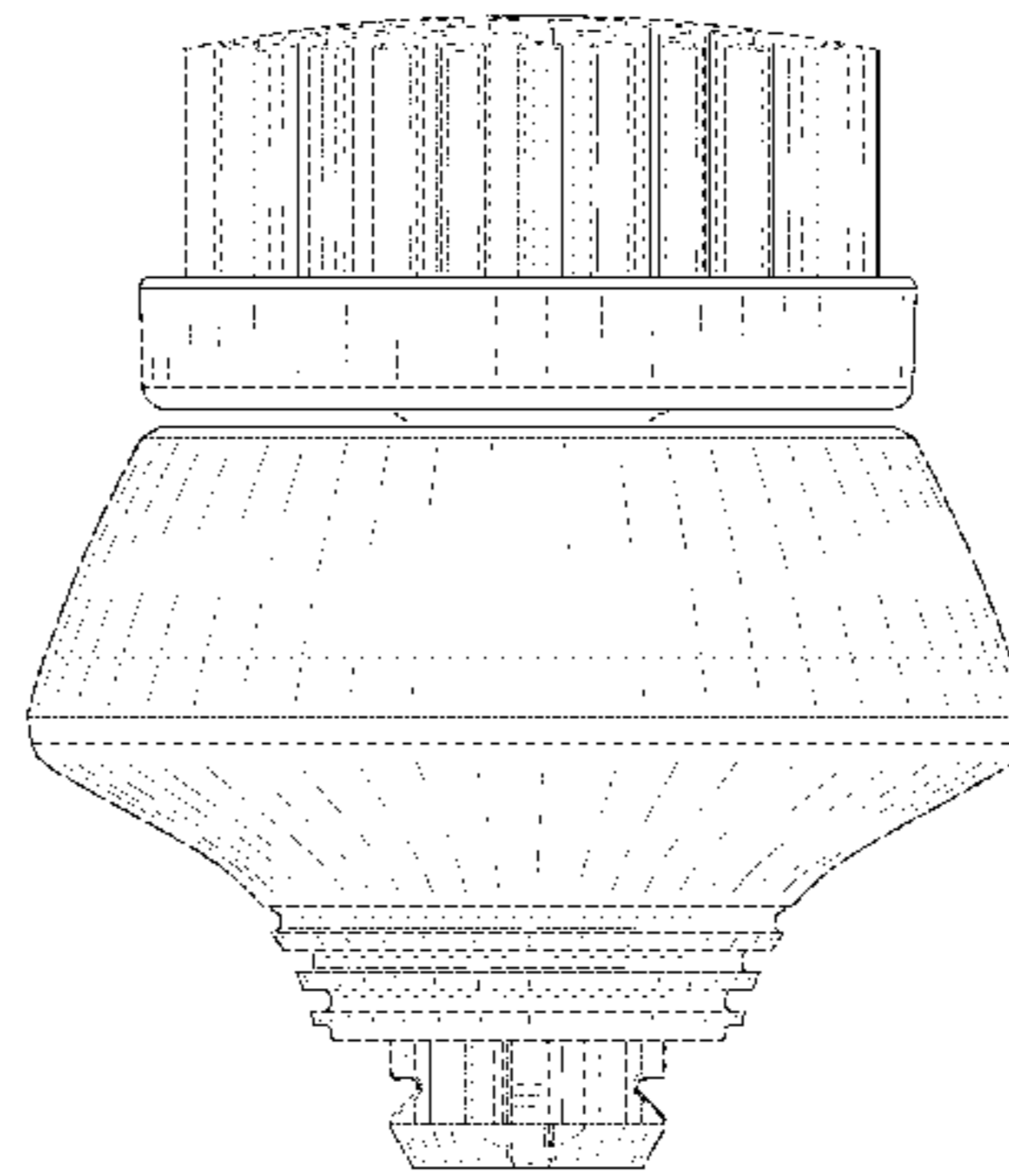
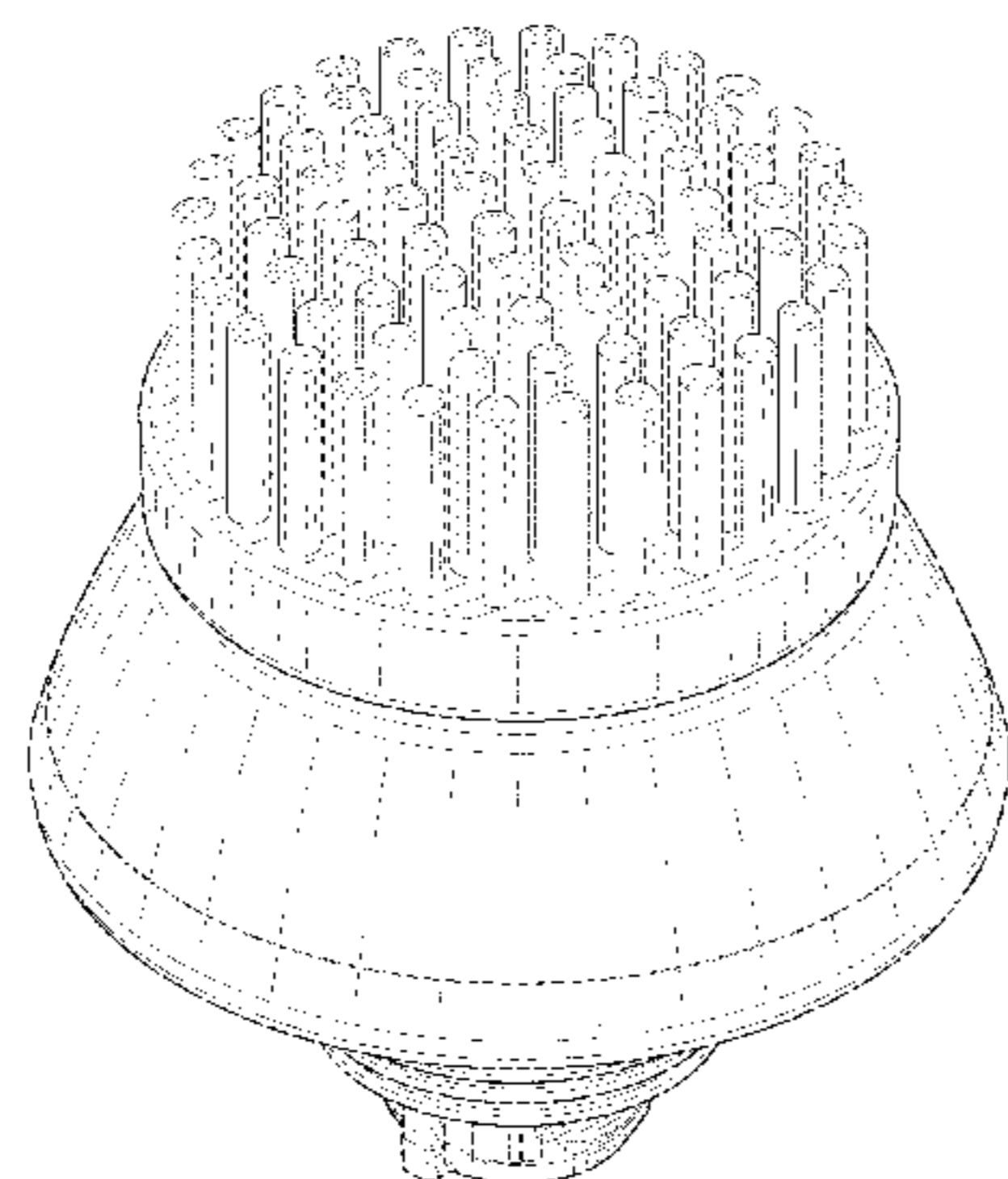
(57) **CLAIM**

The ornamental design for a brush for shaver, as shown and
described.

DESCRIPTION

FIG. 1 is a perspective view showing my design;
FIG. 2 is a front elevational view thereof;
FIG. 3 is a rear elevational view thereof;
FIG. 4 is a right side elevational view thereof;
FIG. 5 is a left side elevational view thereof;
FIG. 6 is a top plan view thereof; and,
FIG. 7 is a bottom plan view thereof.
The bristle tufts are made up of individual strands which are
partially shown for ease of illustration.
The broken line immediately adjacent to the solid line in FIG.
7 represents the bounds of the claim and forms no part thereof,
while all of the other broken lines in FIGS. 2-5 and 7 illustrate
portions of the brush that form no part of the claimed design.

1 Claim, 7 Drawing Sheets



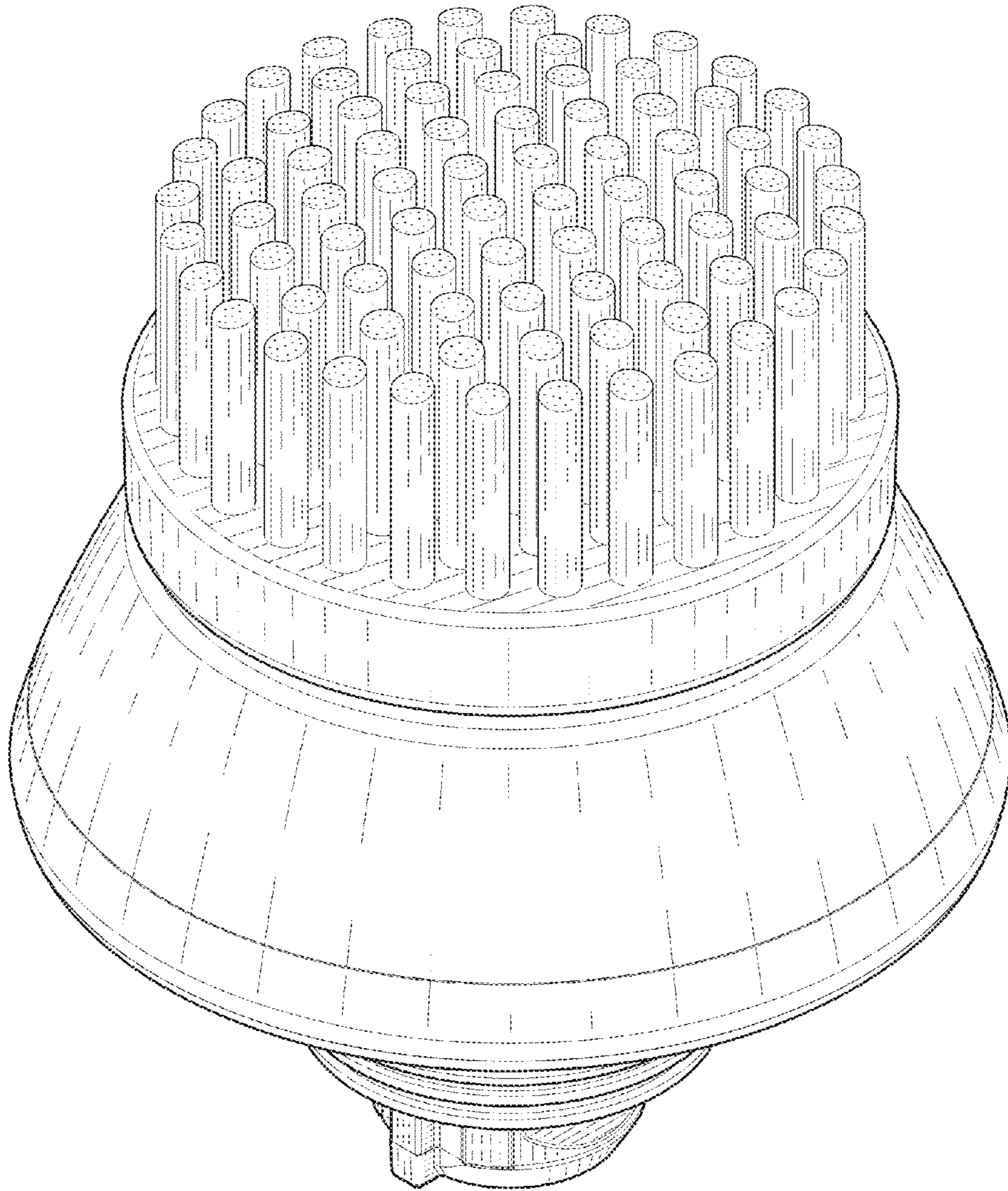


FIG. 1

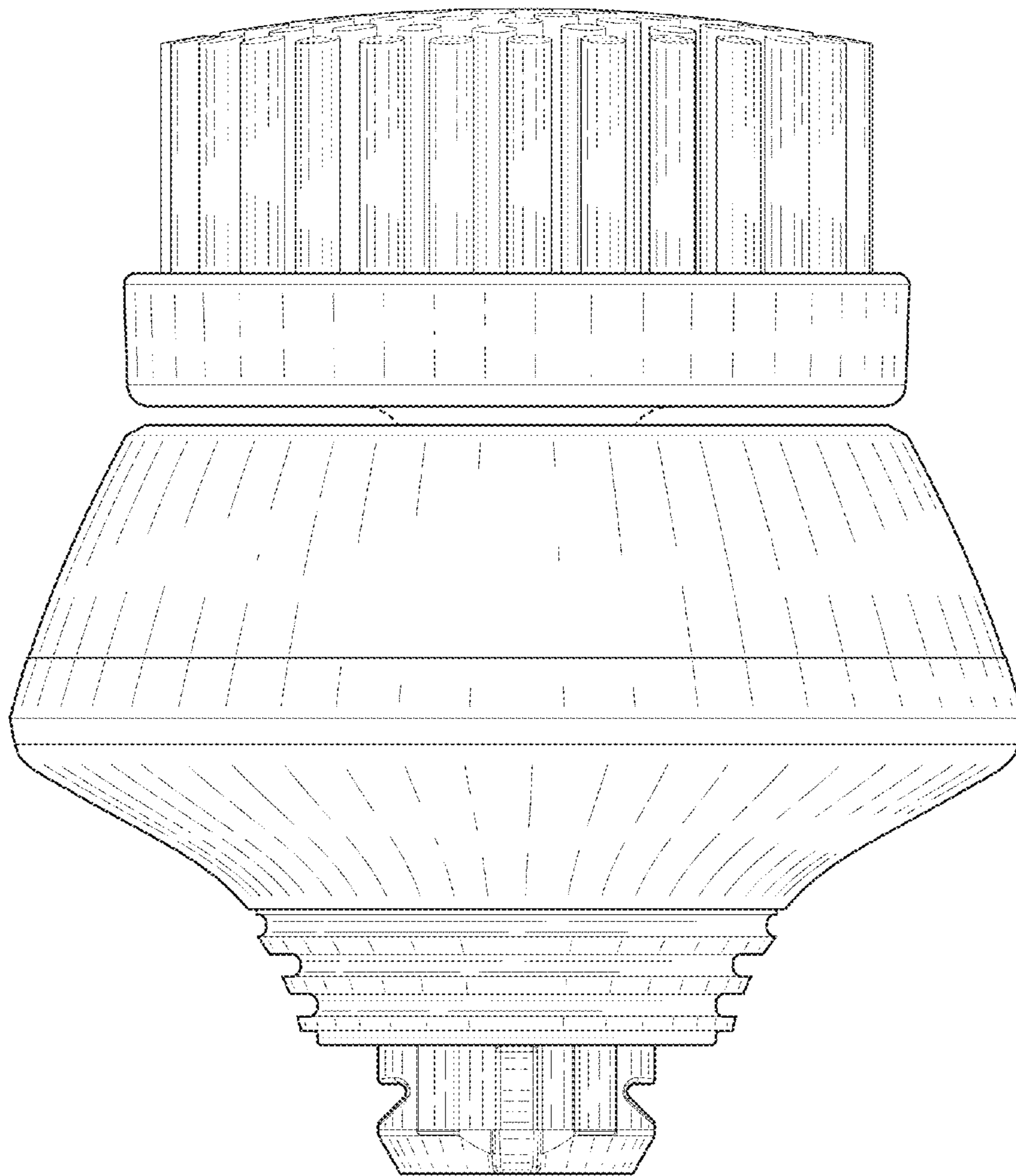


FIG. 2

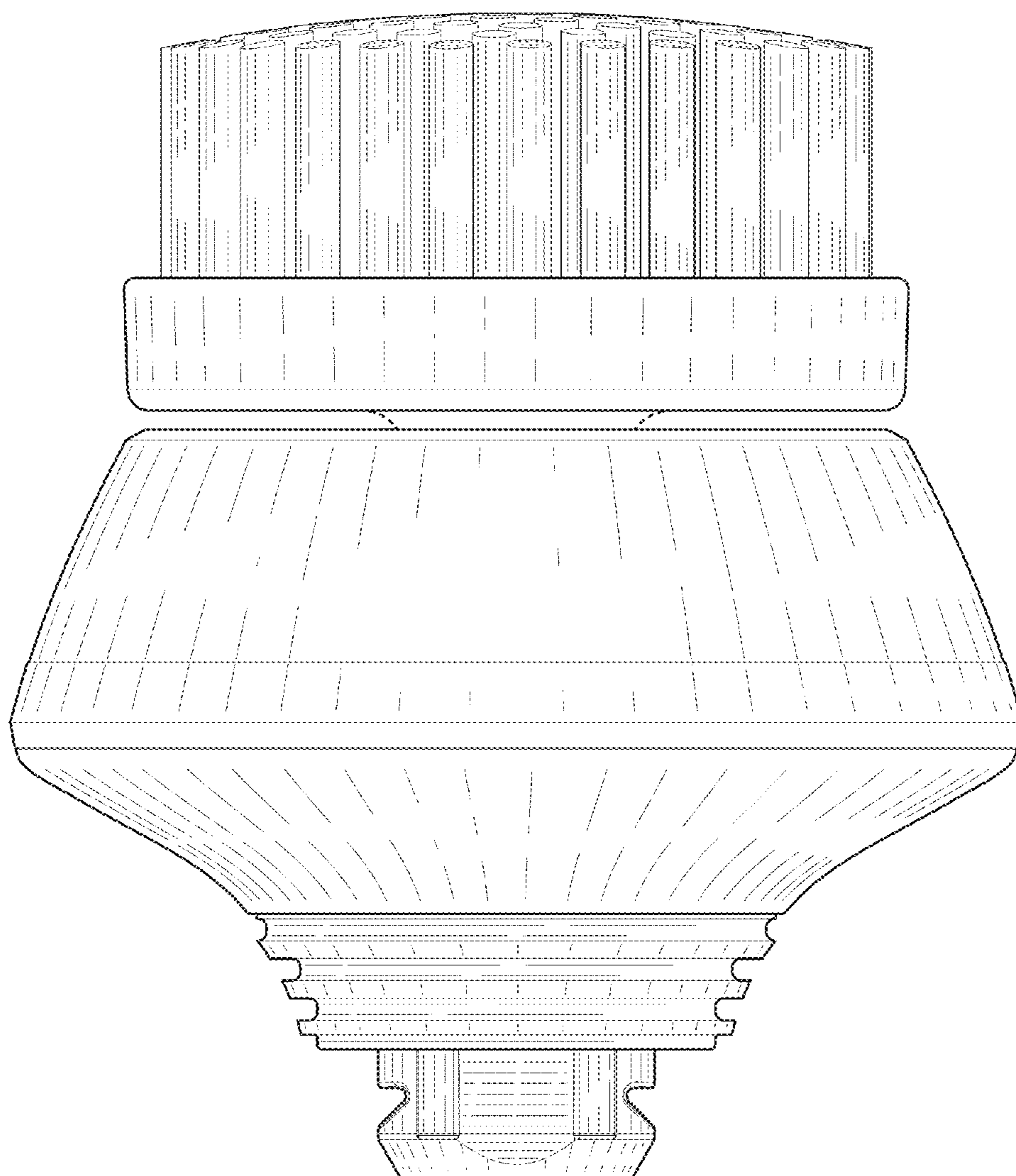


FIG. 3

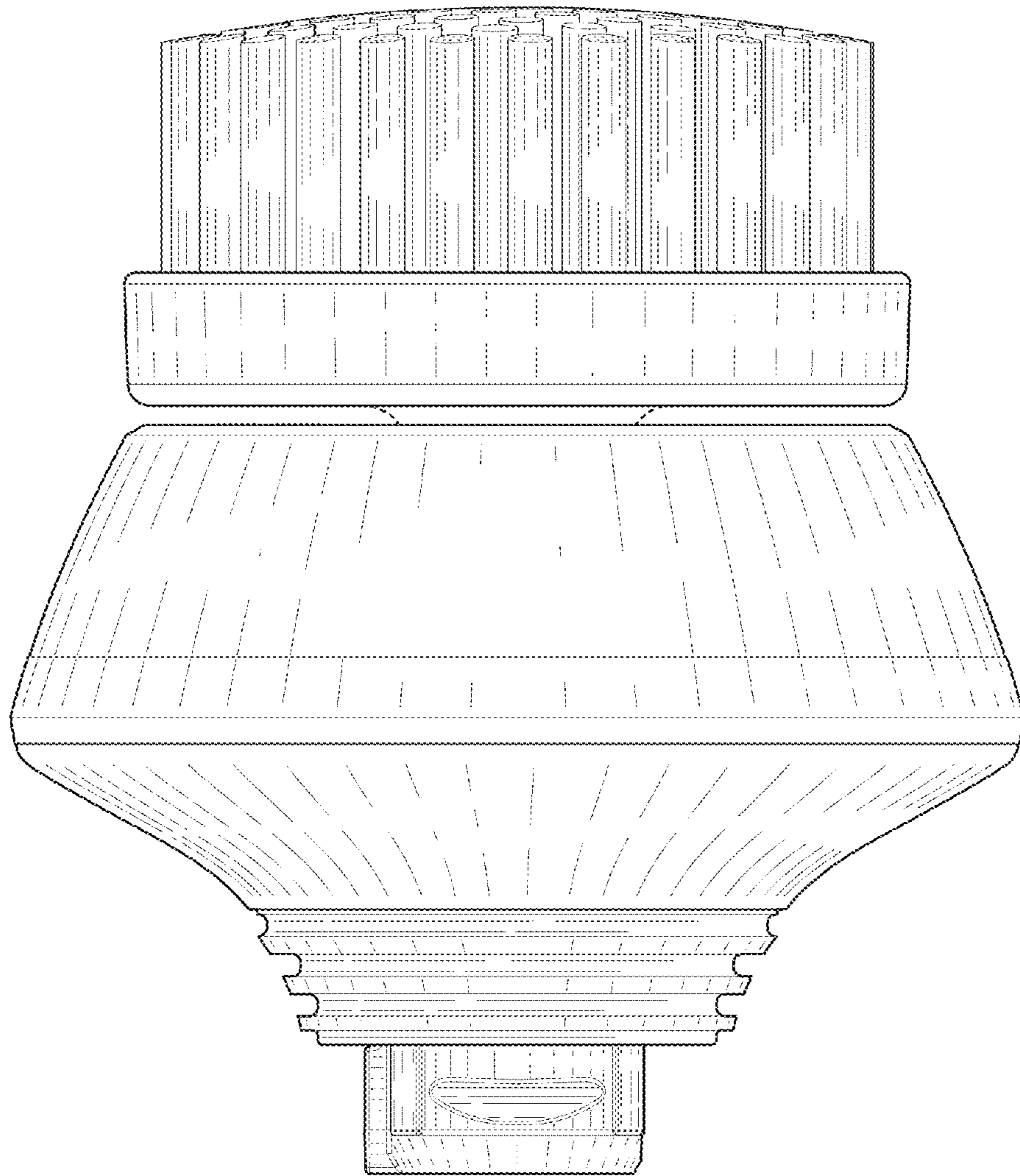


FIG. 4

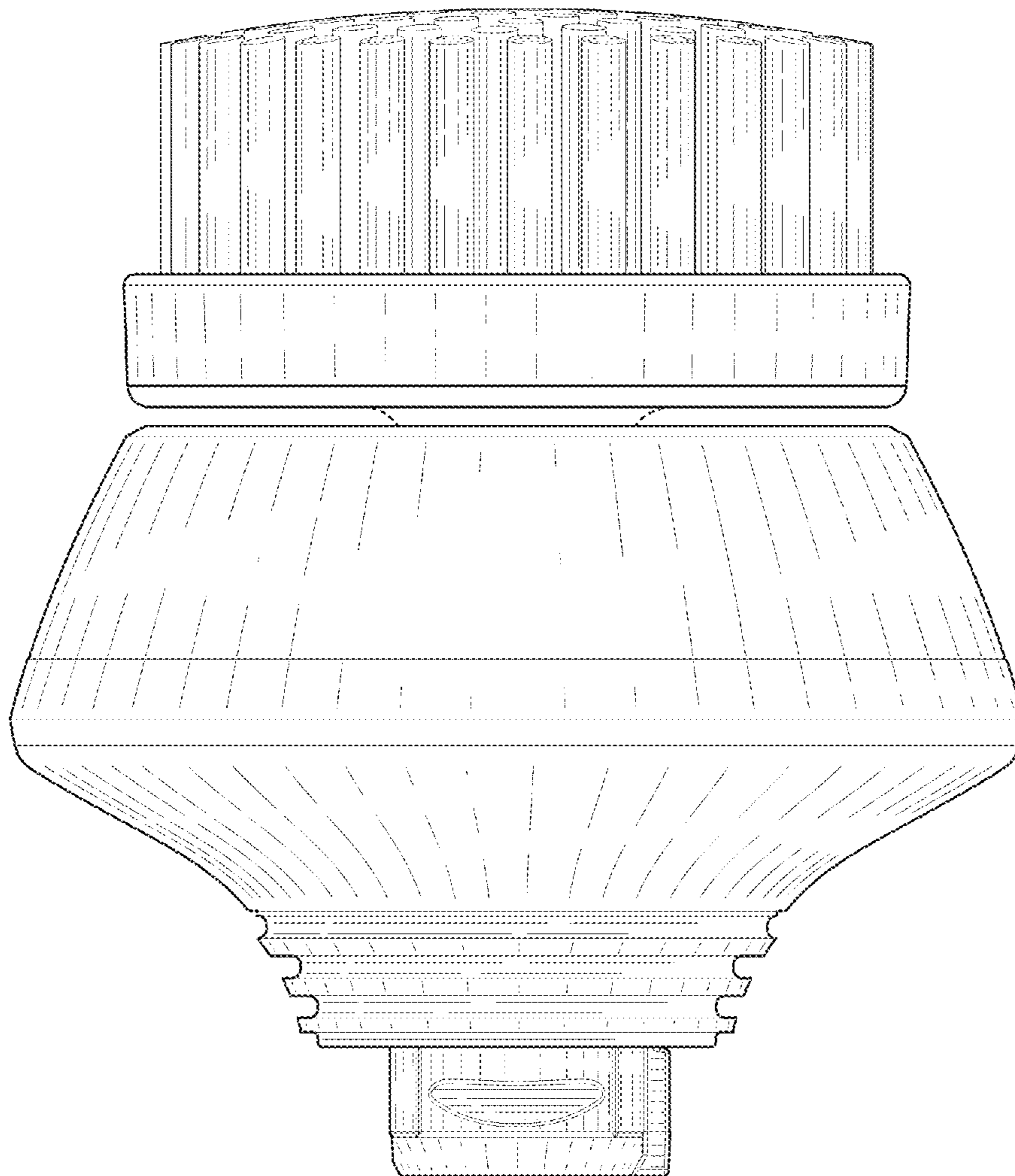


FIG. 5

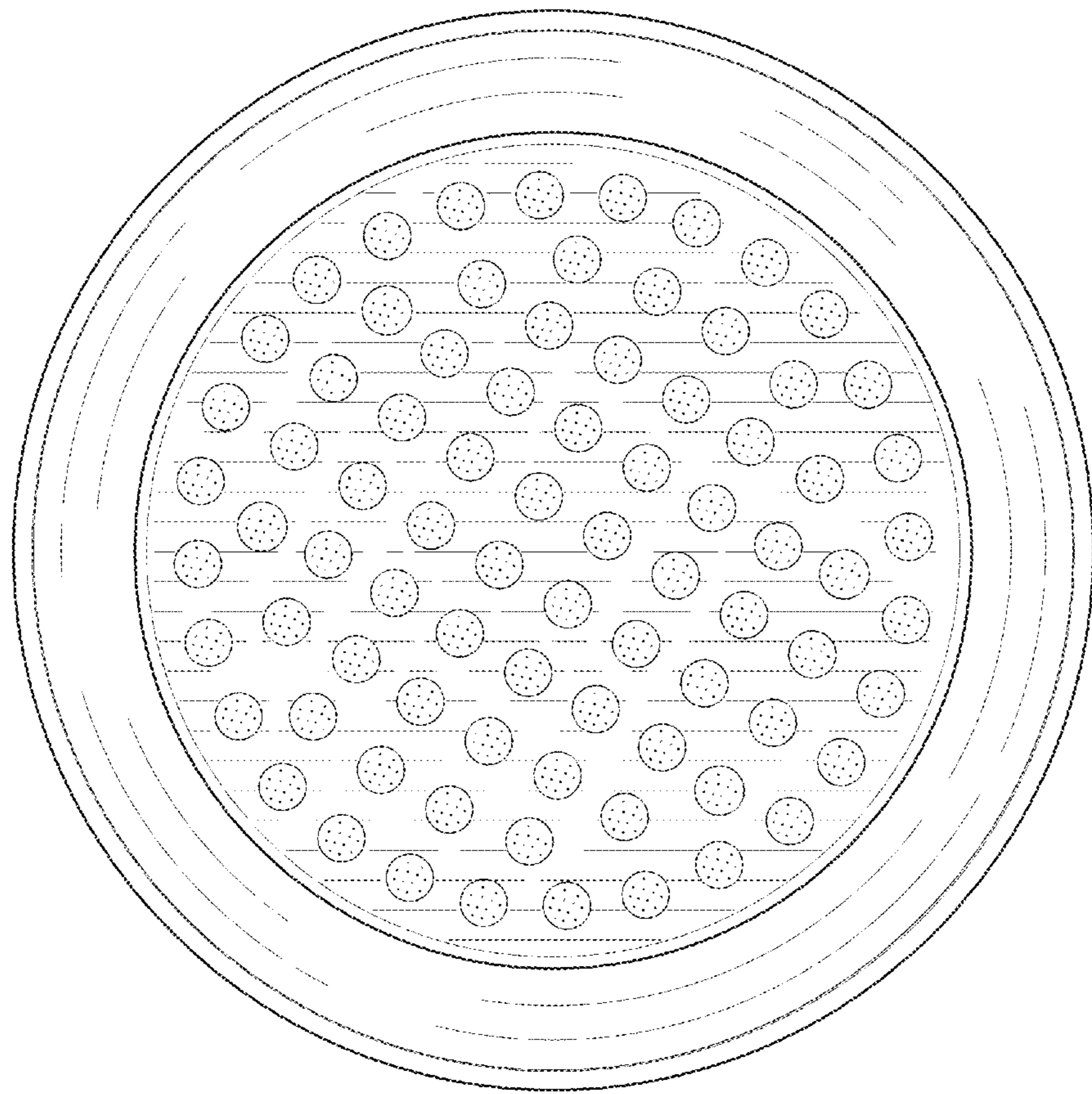


FIG. 6

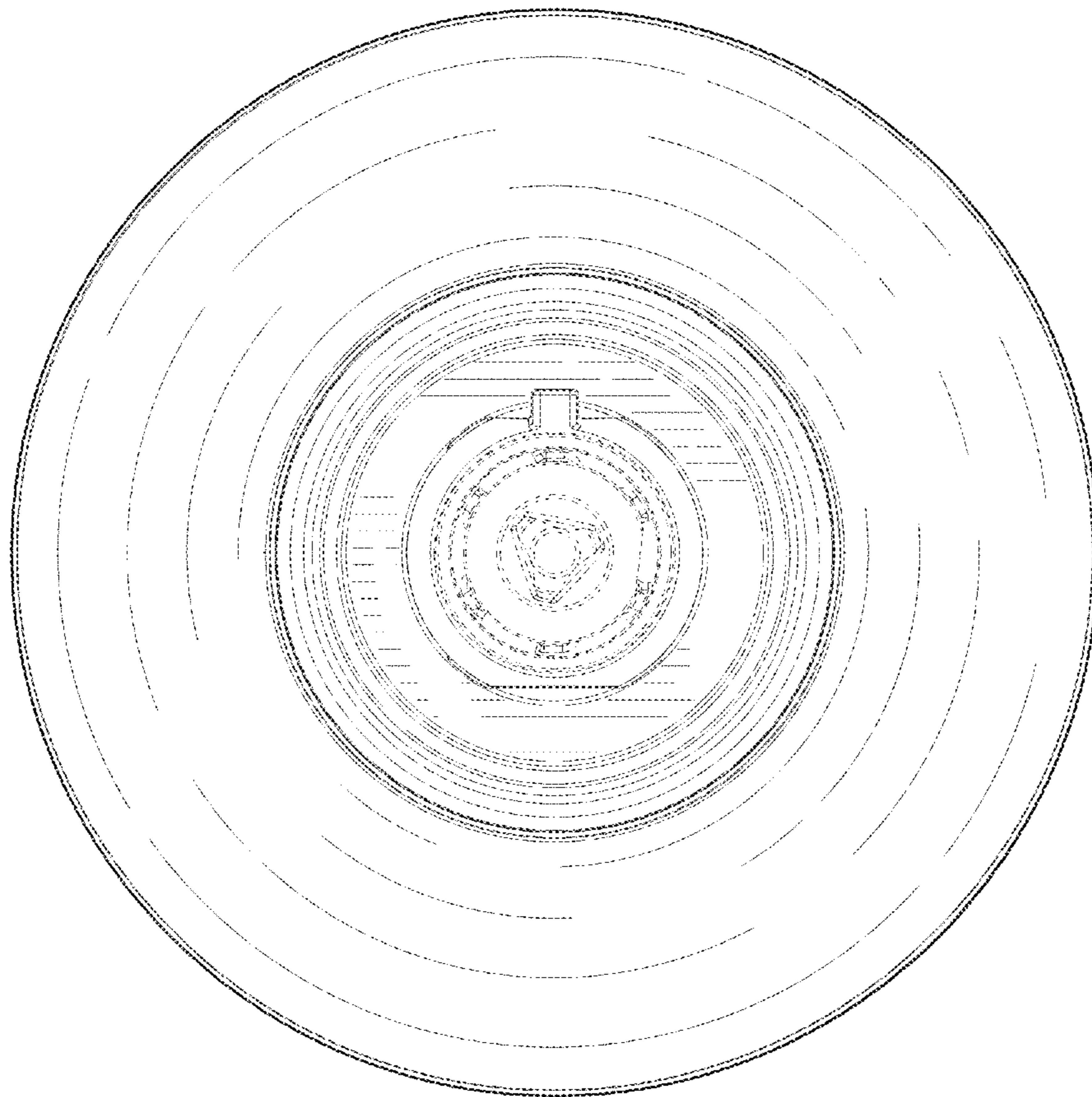


FIG. 7