



US00D764801S

(12) **United States Design Patent**
Vidal et al.

(10) **Patent No.:** **US D764,801 S**

(45) **Date of Patent:** **** Aug. 30, 2016**

(54) **CANTILEVERED ACCESSORY RACK
DESIGN FOR FISHING FLOAT TUBES**

(71) Applicants: **Darryl Vidal**, San Diego, CA (US);
John J. Becht, Alpine, CA (US)

(72) Inventors: **Darryl Vidal**, San Diego, CA (US);
John J. Becht, Alpine, CA (US)

(**) Term: **14 Years**

(21) Appl. No.: **29/502,474**

(22) Filed: **Sep. 16, 2014**

(51) **LOC (10) Cl.** **12-06**

(52) **U.S. Cl.**
USPC **D3/317**

(58) **Field of Classification Search**
USPC D3/260; D6/552; D12/300, 316, 317
CPC B63B 7/082; B63B 7/08; B63B 35/14;
B63B 35/71; B63B 35/73
See application file for complete search history.

(56) **References Cited**

U.S. PATENT DOCUMENTS

2,582,754	A *	1/1952	Kahler	A01K 91/08 114/355
5,290,196	A *	3/1994	Steel	B63B 35/74 441/130
6,343,560	B1 *	2/2002	Myers	B63B 1/121 114/354
6,508,194	B2 *	1/2003	Myers	B63B 1/121 114/354

6,691,633	B1 *	2/2004	Metzger	B63B 7/082 114/162
7,832,348	B2 *	11/2010	Newcomb	B63B 7/082 114/248
8,800,467	B2 *	8/2014	Temple	A01K 97/10 114/345
D735,491	S *	8/2015	Vidal	D6/552

* cited by examiner

Primary Examiner — Mitchell Siegel

(74) *Attorney, Agent, or Firm* — Charmasson, Buchaca & Leach, LLP

(57) **CLAIM**

The ornamental design for a cantilevered accessory rack design for fishing float tubes, as shown and described.

DESCRIPTION

FIG. 1 is a top, back, left side perspective view of an accessory rack for a pontooned fishing float tube showing an embodiment of our new design having two laterally adjacent spaced apart oblong linear members cantileveredly and adjustably supported by a single arcuate rib member.

FIG. 2 is a bottom, front, right side perspective view thereof.

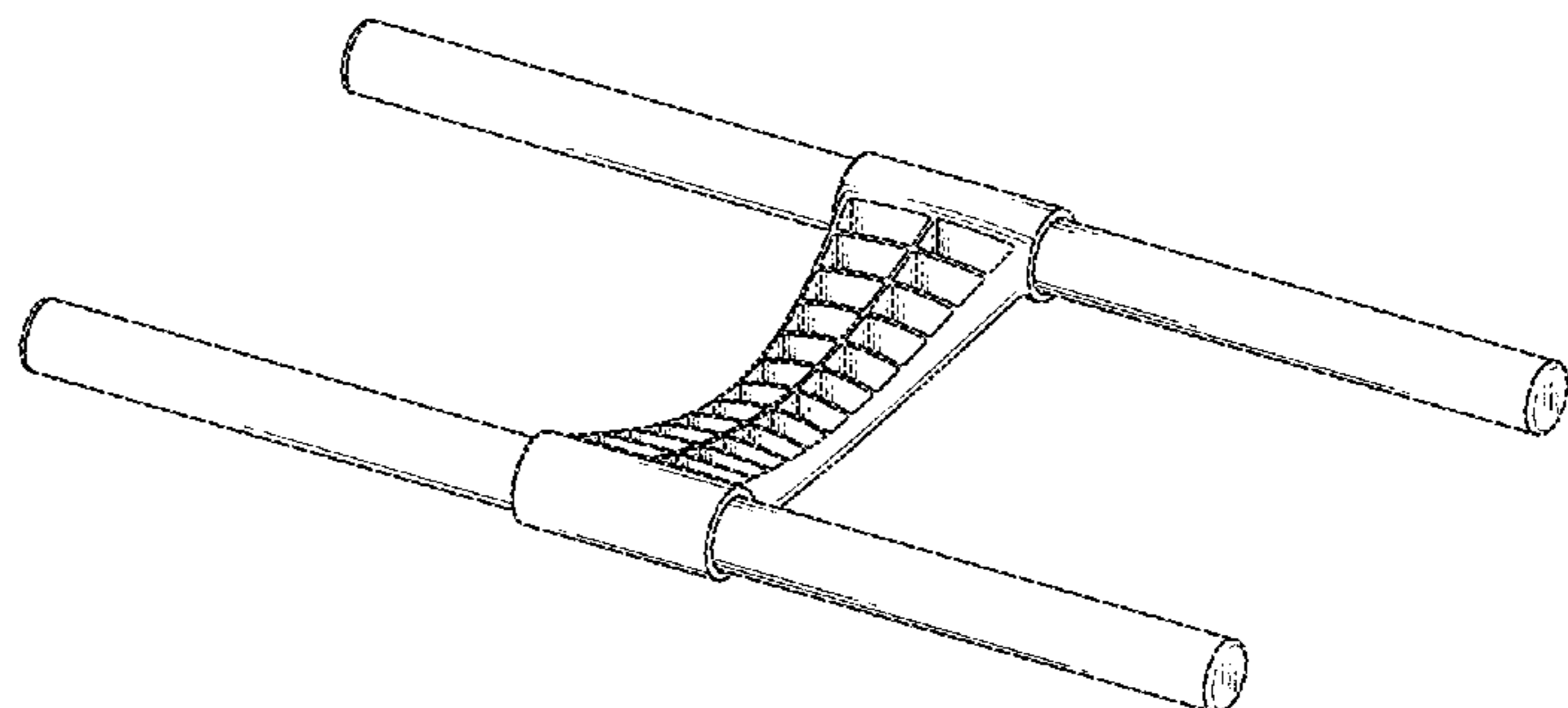
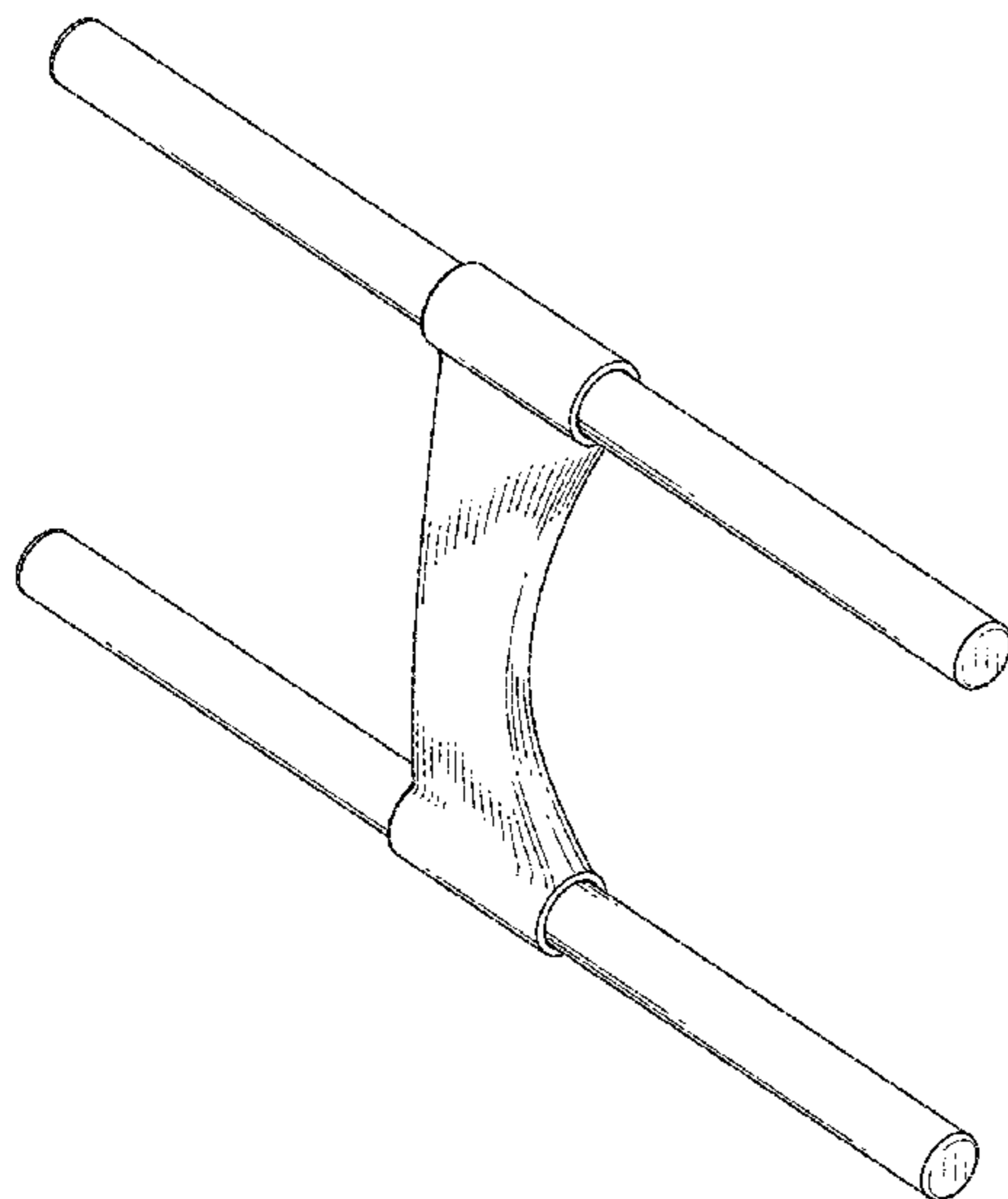
FIG. 3 is a left side plan view thereof.

FIG. 4 is a right side plan view thereof.

FIG. 5 is a top plan view thereof, the bottom view being a mirror image thereof; and,

FIG. 6 is a back plan view thereof, the front being a mirror image thereof.

1 Claim, 3 Drawing Sheets



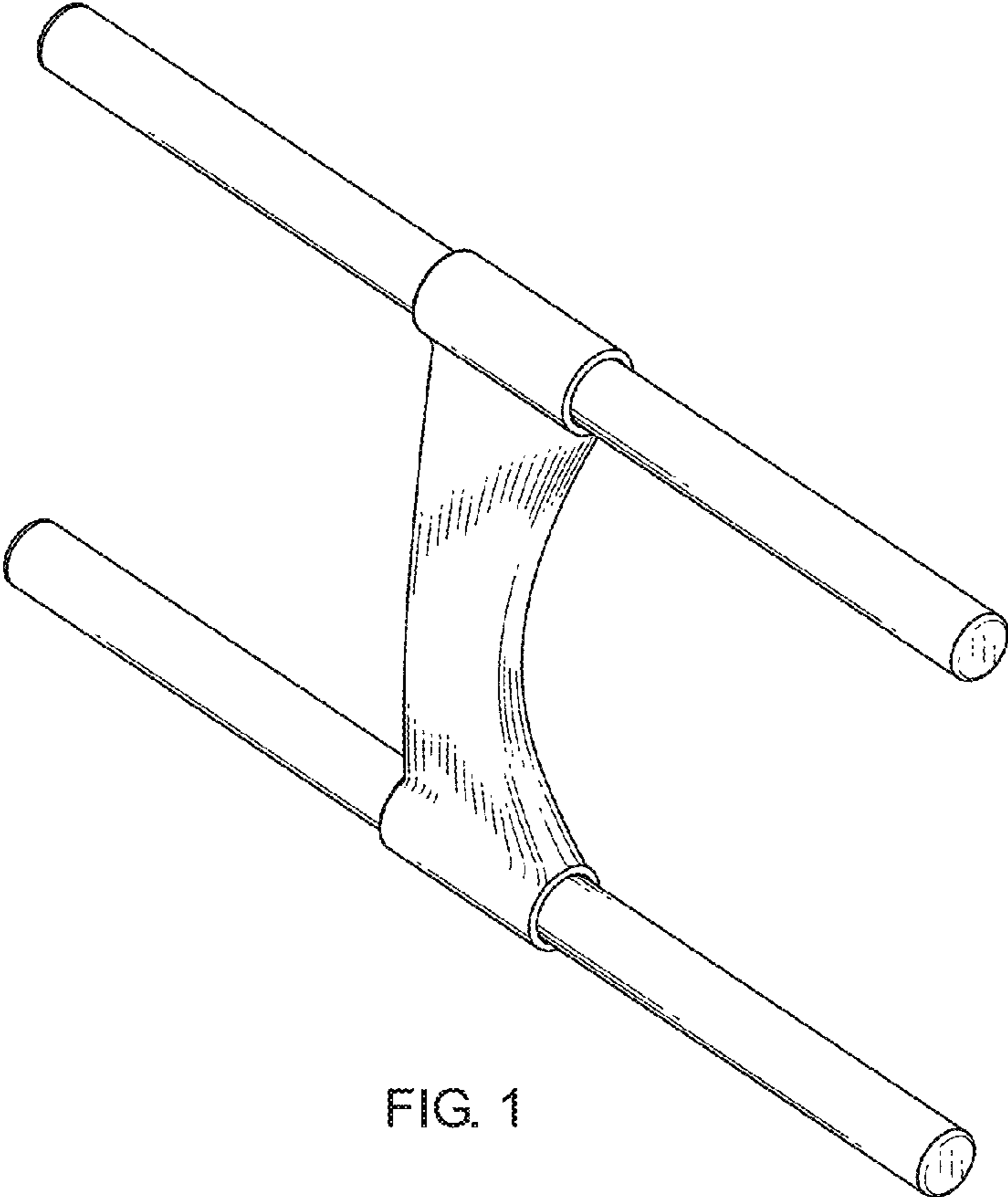


FIG. 1

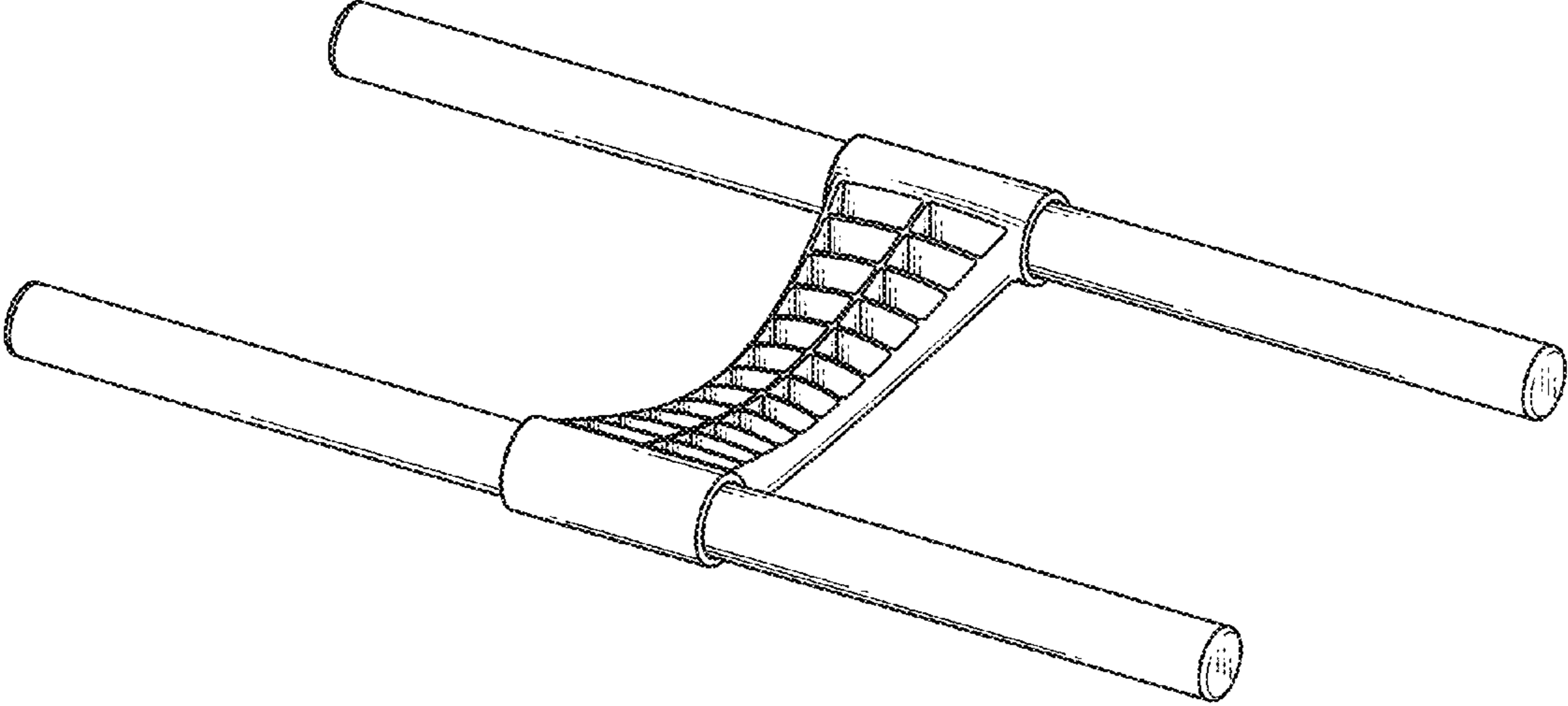


FIG. 2

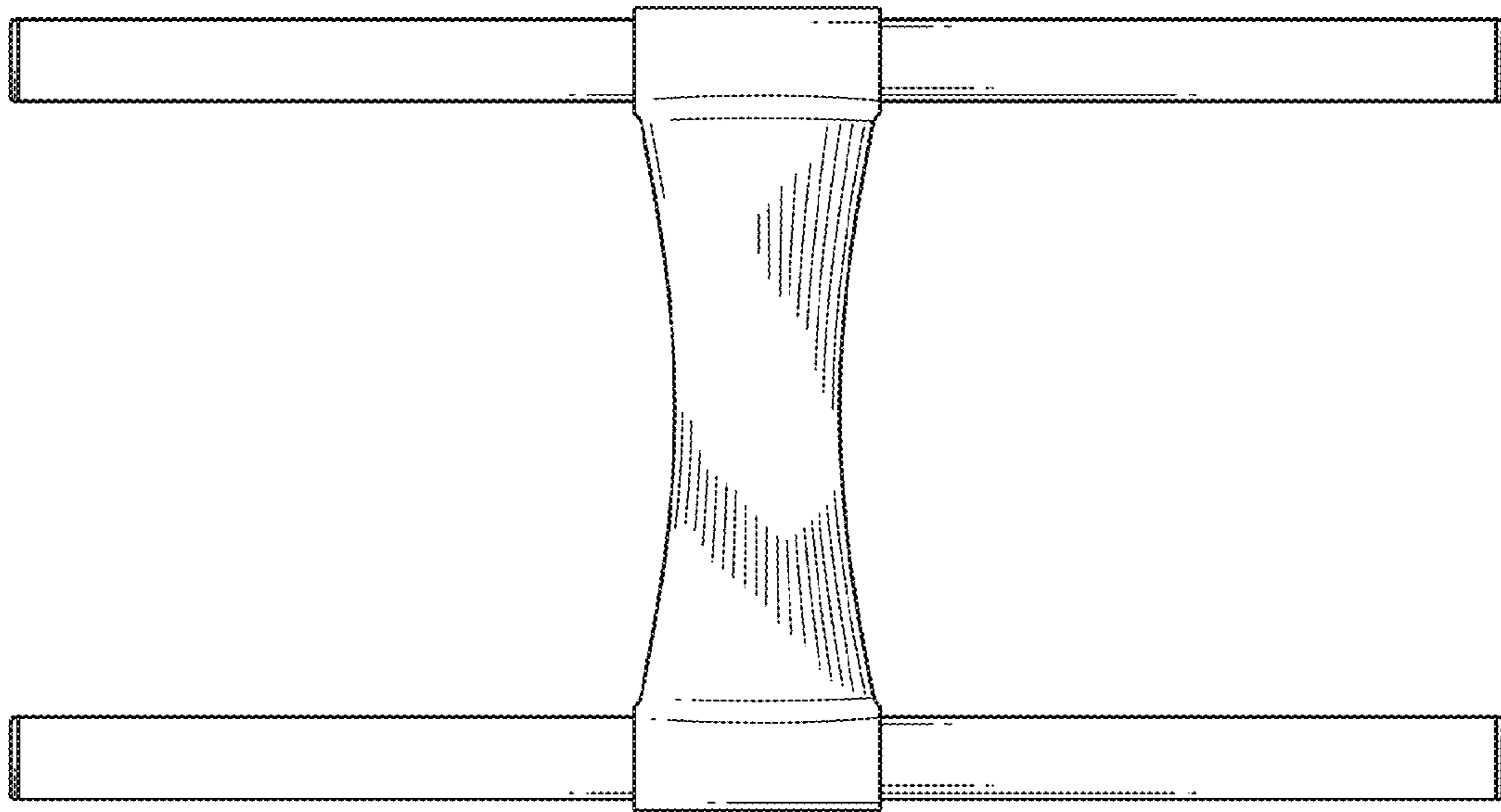


FIG. 3

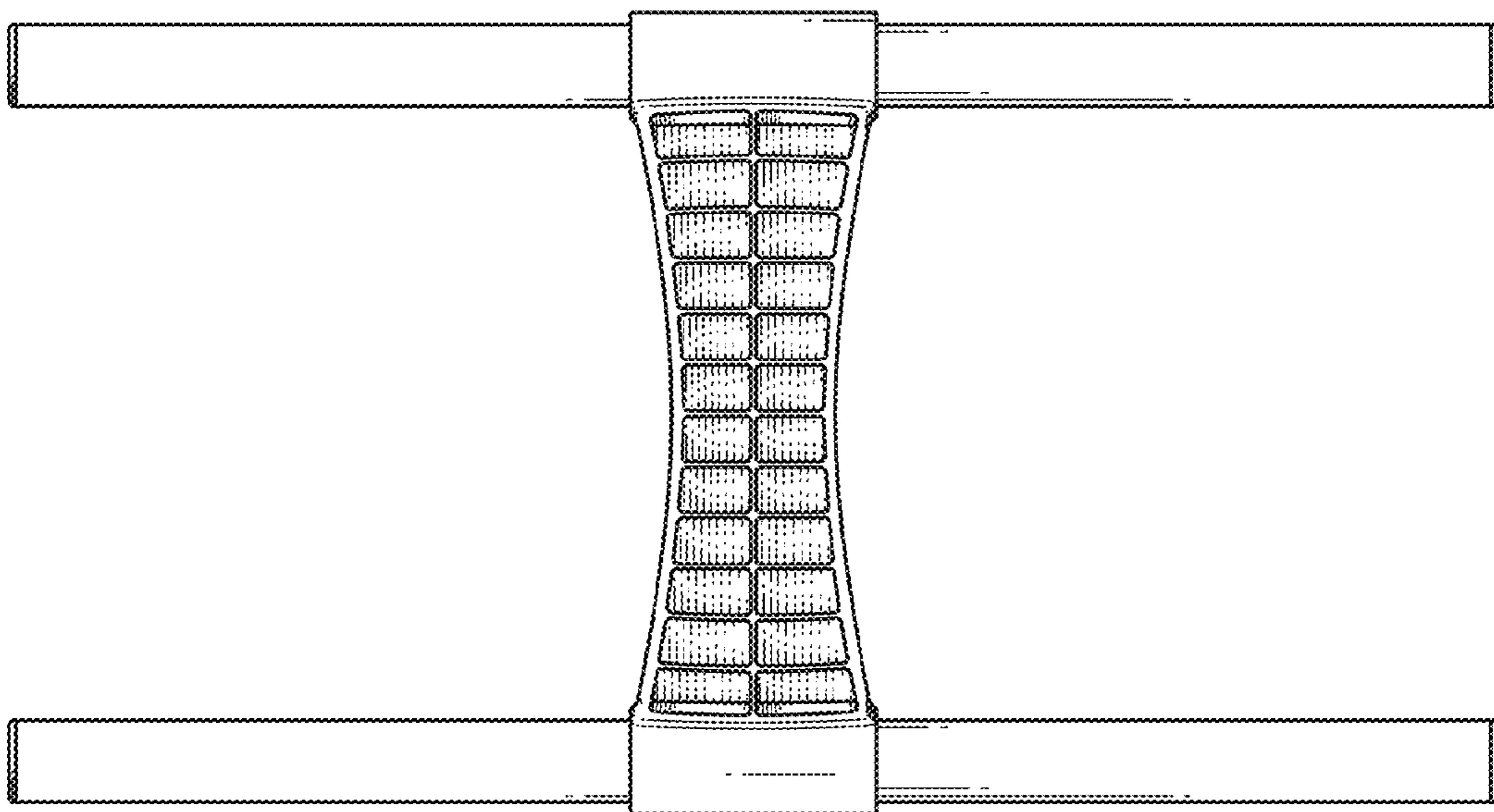


FIG. 4

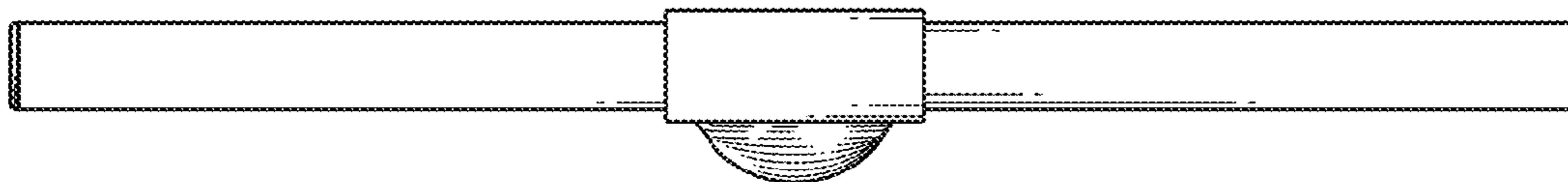


FIG. 5

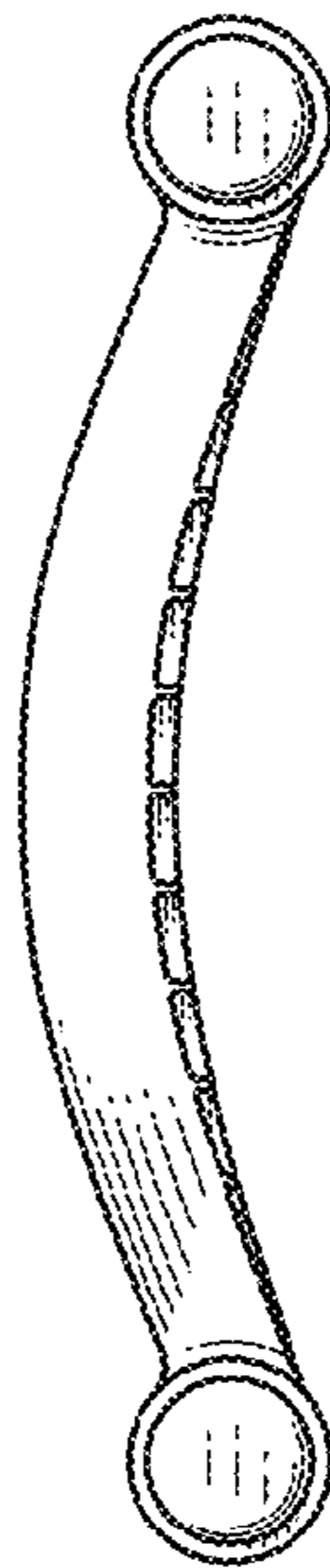


FIG. 6