



US00D764800S

(12) **United States Design Patent**
Juniper et al.

(10) **Patent No.:** **US D764,800 S**

(45) **Date of Patent:** **** Aug. 30, 2016**

(54) **VISOR POUCH**

D706,539 S * 6/2014 Hondos D3/303

* cited by examiner

(71) Applicants: **David Juniper**, Monrovia, CA (US);
Donald Hansen, Monrovia, CA (US)

Primary Examiner — Holly Baynham

(72) Inventors: **David Juniper**, Monrovia, CA (US);
Donald Hansen, Monrovia, CA (US)

(74) *Attorney, Agent, or Firm* — Yau Law Firm; Jo-Anne Yau

(**) Term: **14 Years**

(57) **CLAIM**

The ornamental design for a visor pouch, as shown and described.

(21) Appl. No.: **29/499,453**

DESCRIPTION

(22) Filed: **Aug. 14, 2014**

(51) **LOC (10) Cl.** **03-01**

(52) **U.S. Cl.**
USPC **D3/303**

(58) **Field of Classification Search**
USPC D3/301, 303
CPC A45C 13/06
See application file for complete search history.

FIG. 1 is a perspective view showing the new design.
FIG. 2 is a top plan view of the new design.
FIG. 3 is a right side elevational view of the new design.
FIG. 4 is a front elevational view of the new design.
FIG. 5 is a bottom plan view of the new design.
FIG. 6 is a left side elevational view of the new design, and is also a mirror image of FIG. 3.
FIG. 7 is a rear elevational view of the new design.
FIG. 8 is a perspective view showing the new design, mounted on a standard passenger vehicle visor; and,
FIG. 9 is an alternate perspective view of the new design, mounted on a standard passenger vehicle visor.
FIG. 10 is a bottom plan view of the new design.

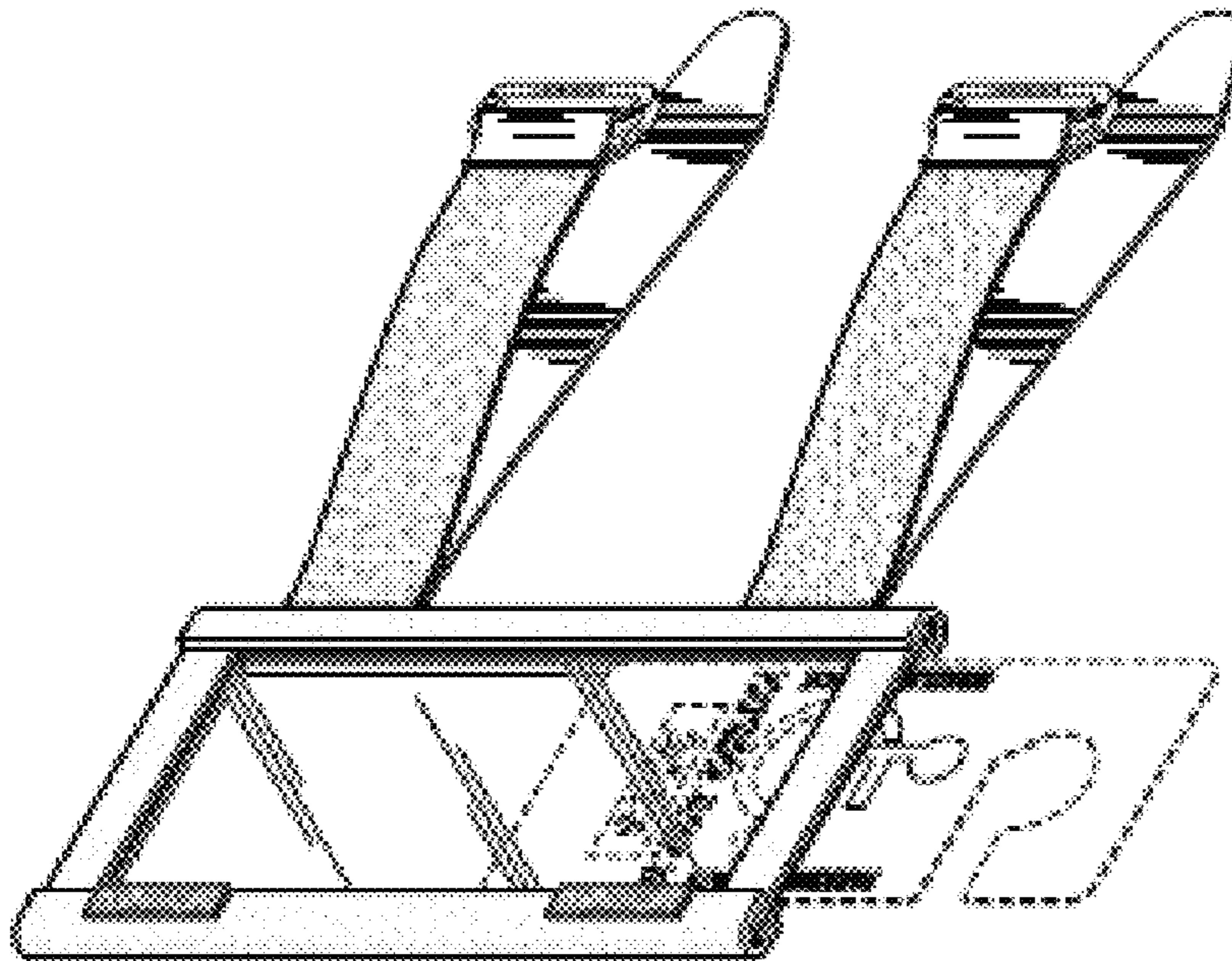
The broken lines showing a card are for the purpose of illustrating environment and form no part of the claimed design.

(56) **References Cited**

U.S. PATENT DOCUMENTS

- 2,673,670 A * 3/1954 Steele B60R 7/05
224/312
- D309,595 S 7/1990 Jonsas
- D474,732 S 5/2003 Hillman
- D507,103 S 7/2005 Charles, Jr.
- D706,030 S * 6/2014 Wang D3/245

1 Claim, 3 Drawing Sheets



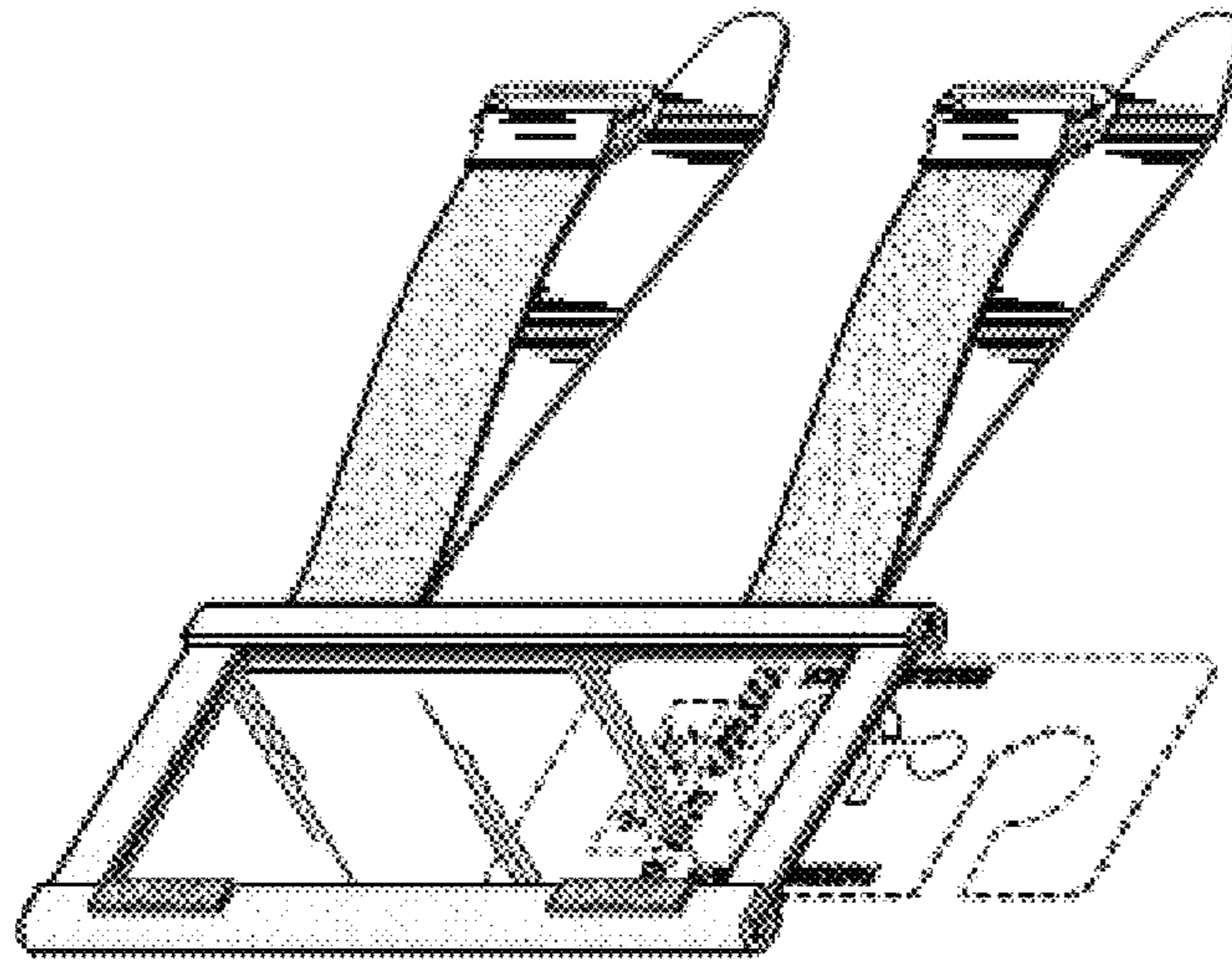


FIG. 1

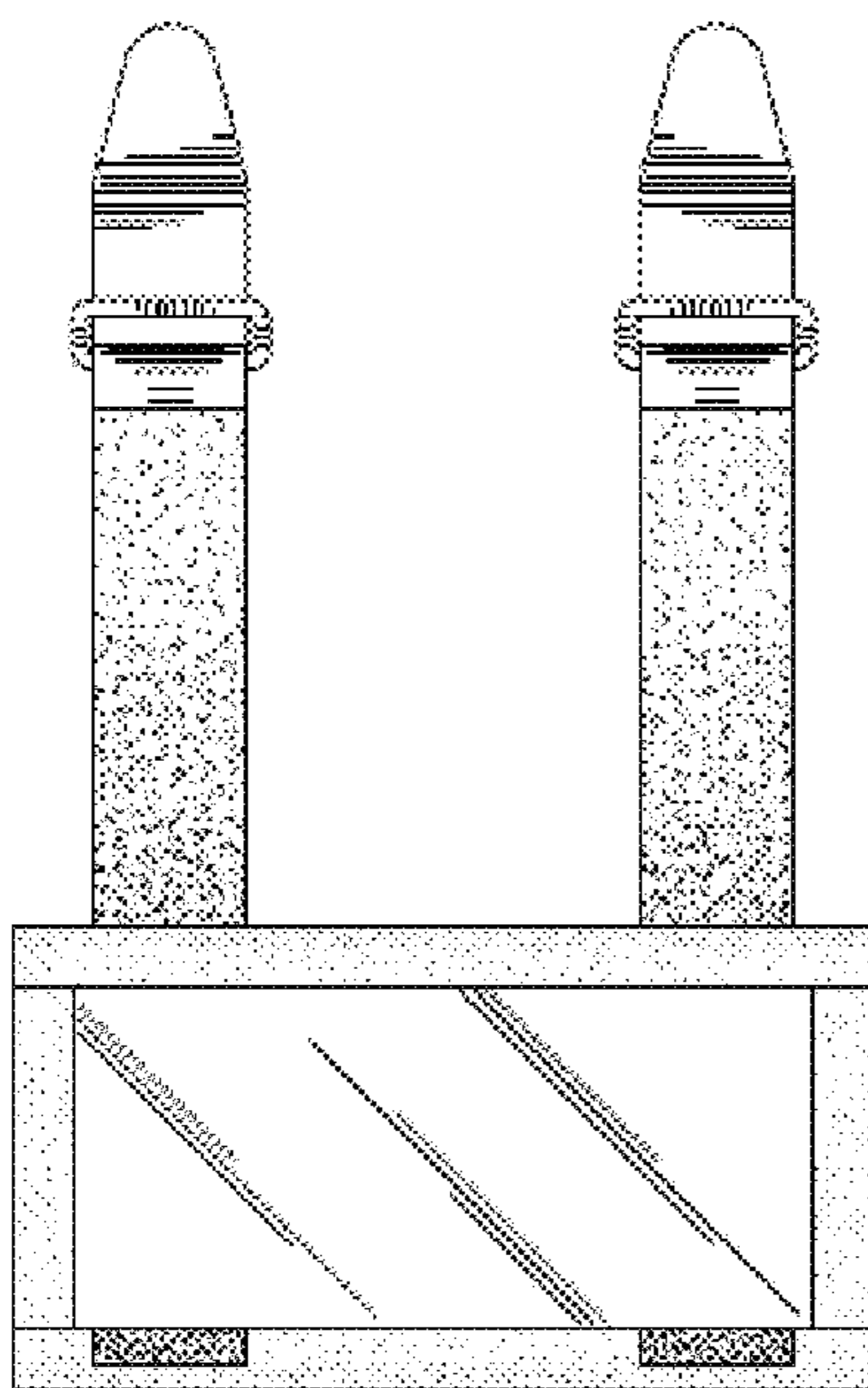


FIG. 2

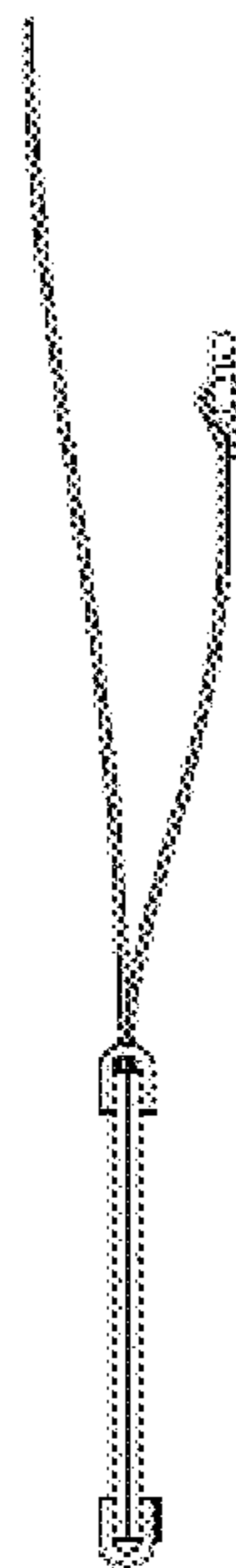


FIG. 3

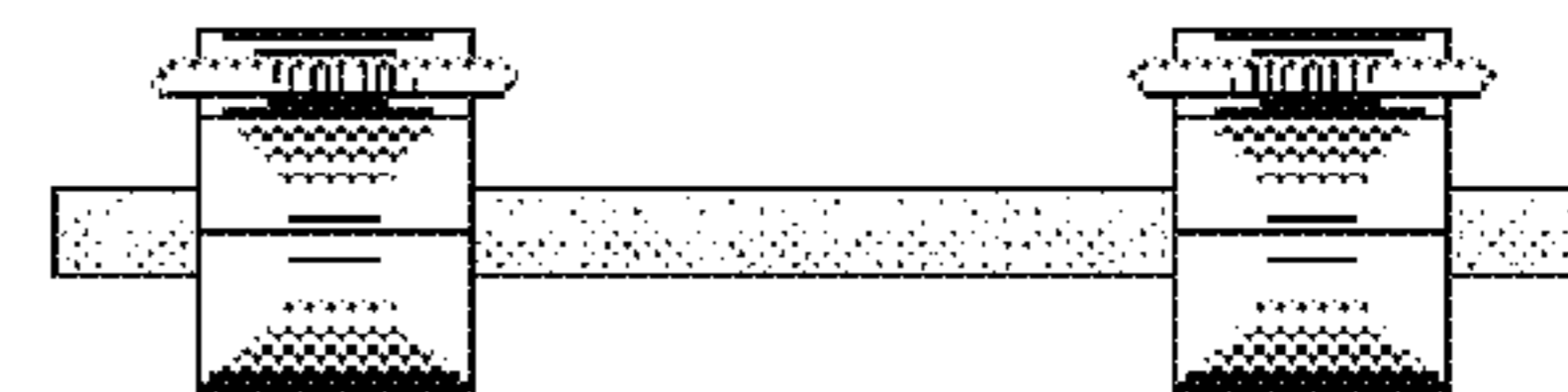


FIG. 4

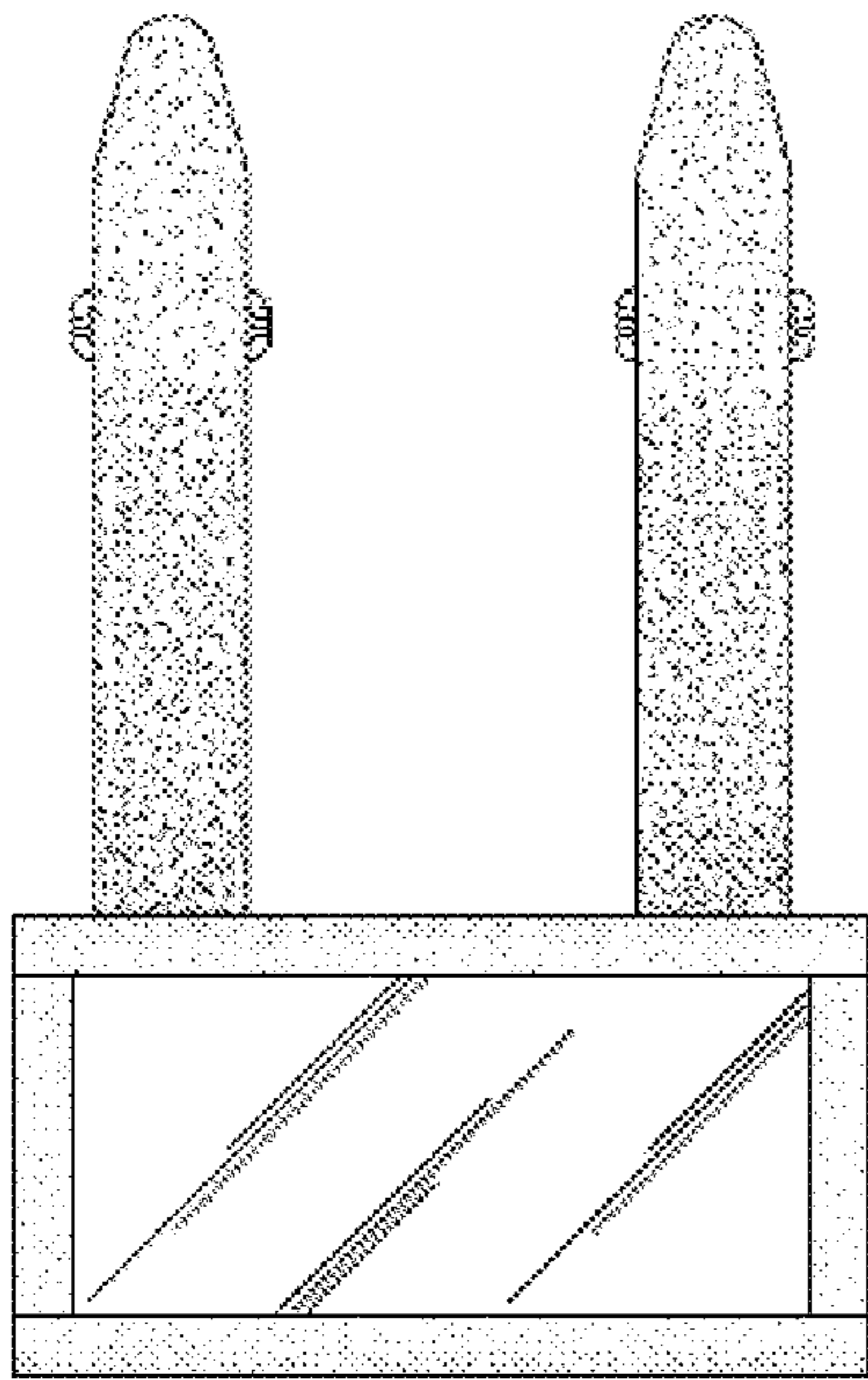


FIG. 5

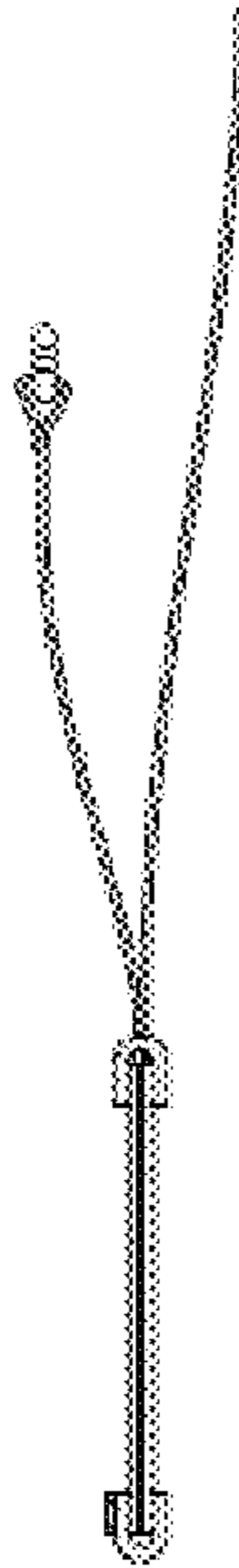


FIG. 6

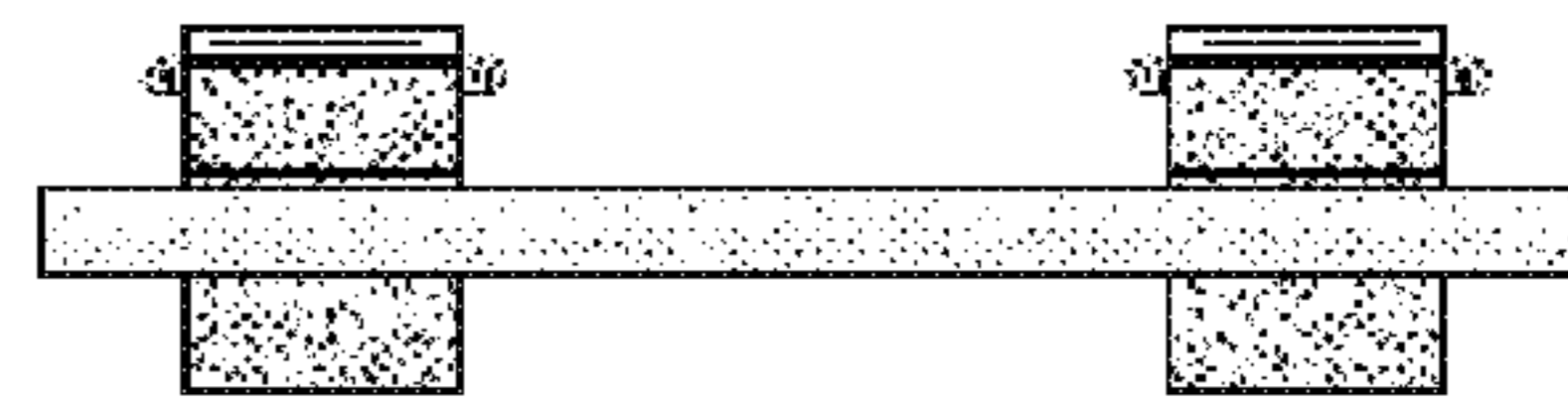


FIG. 7

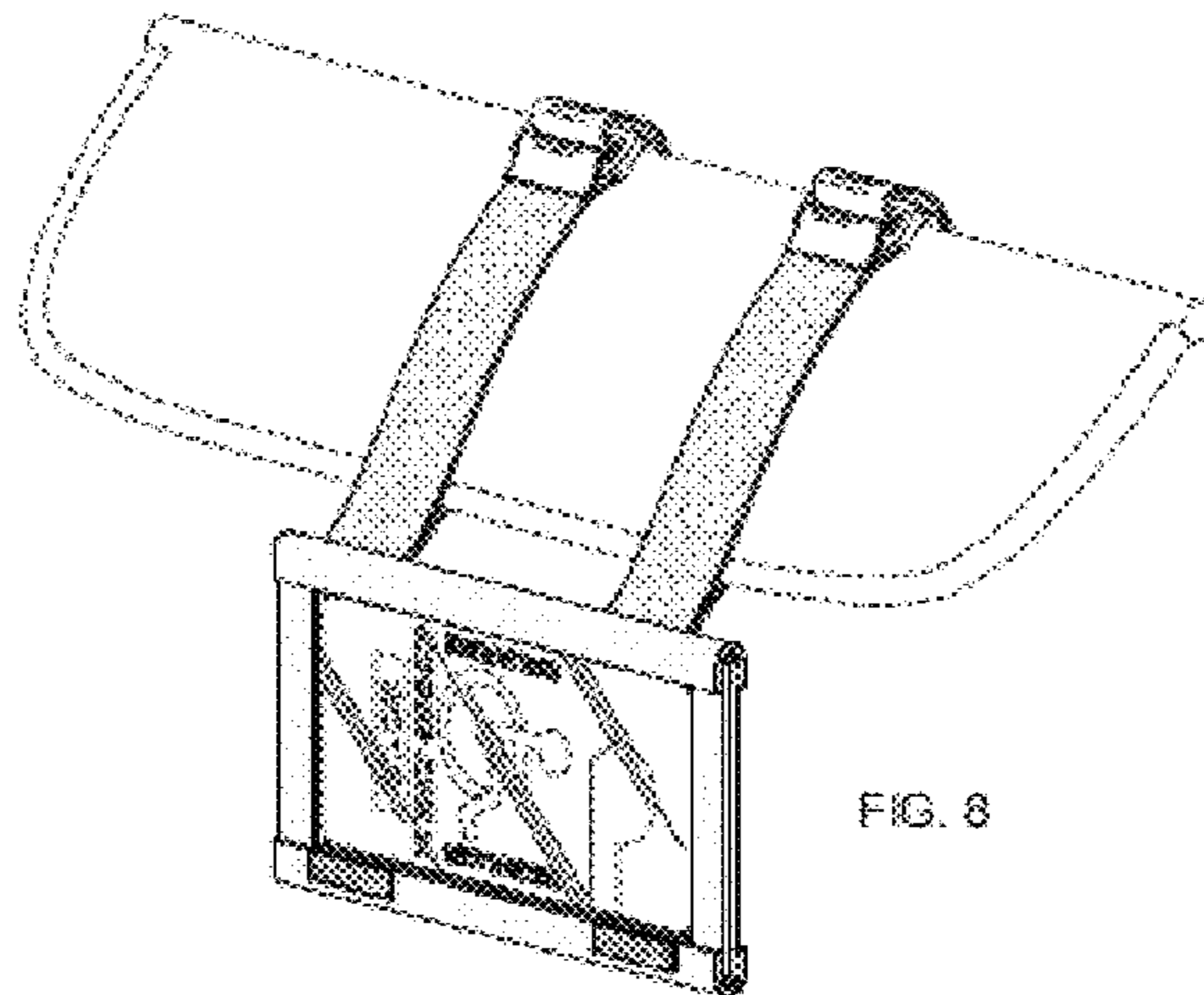


FIG. 8

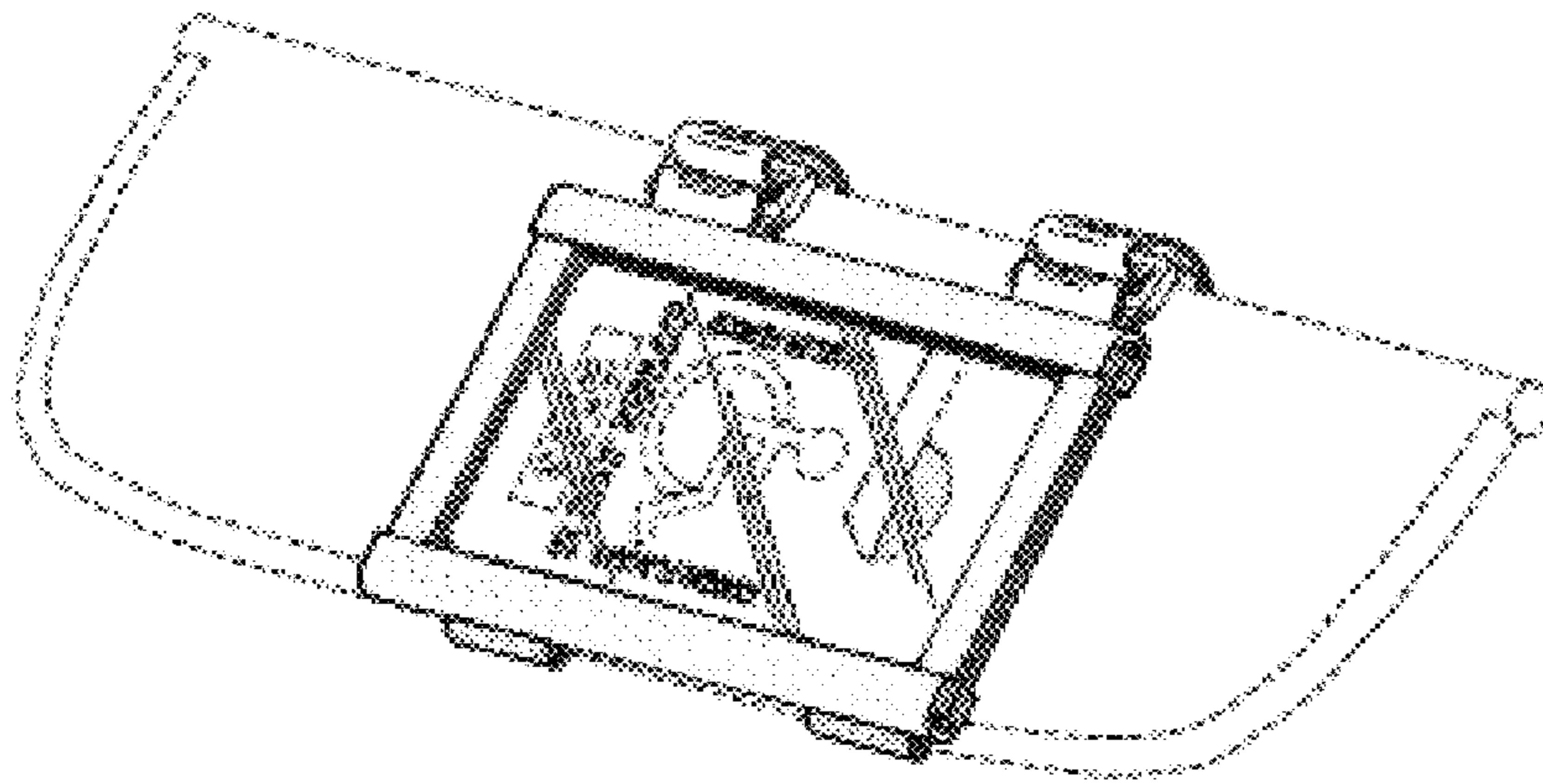


FIG. 9

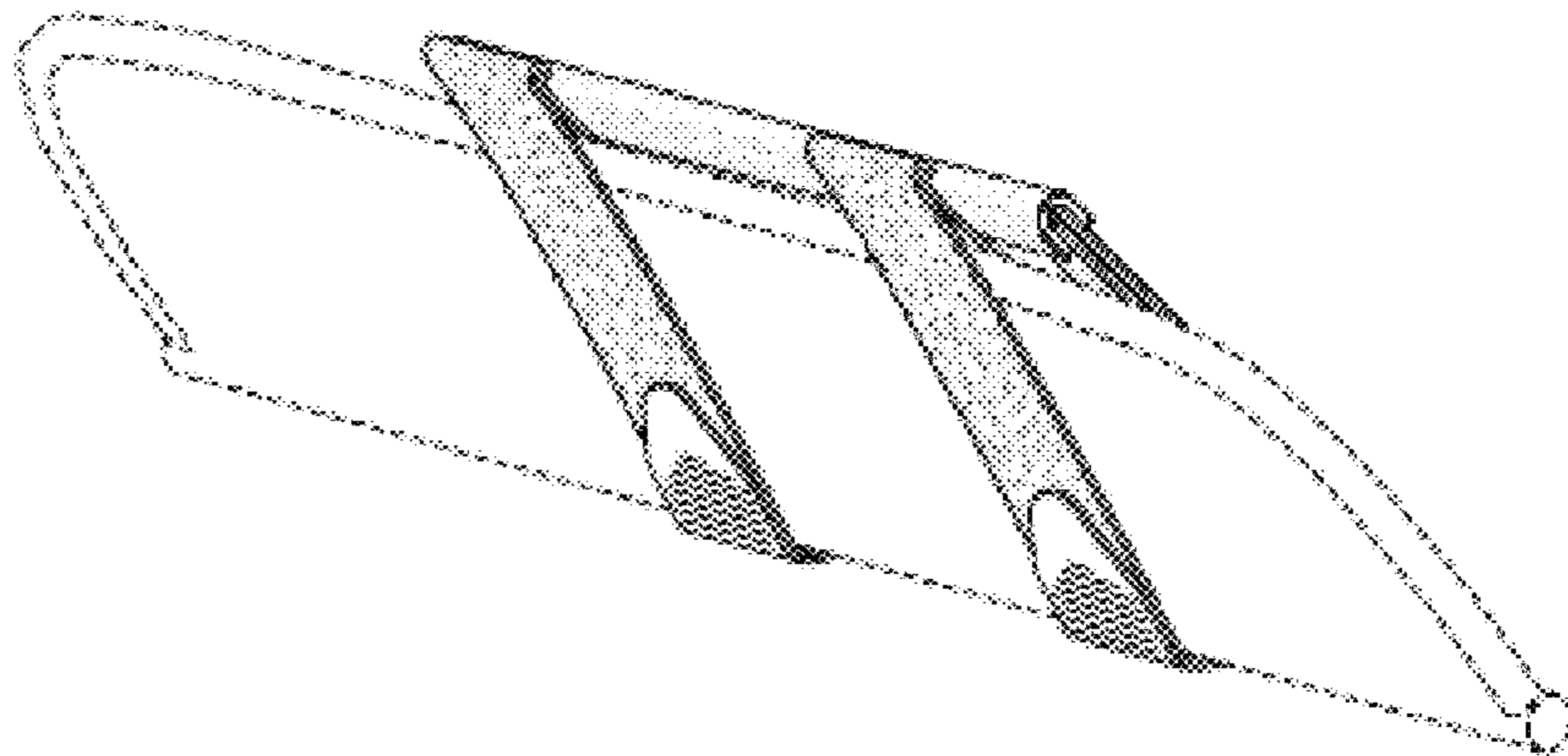


FIG. 10