



US00D764797S

(12) **United States Design Patent** (10) **Patent No.:** **US D764,797 S**  
**Horovitz et al.** (45) **Date of Patent:** **\*\* \*Aug. 30, 2016**

(54) **TOOL BOX**

(71) Applicant: **The Stanley Works Israel, Ltd.**, Rosh Ha' Ayin (IL)

(72) Inventors: **Nadin Daniel Horovitz**, Rehovot, IL (US); **Wen-Chi Ku**, Taichung (TW)

(73) Assignee: **The Stanley Works Israel, Ltd.**, Rosh Ha' Ayin (IL)

(\*) Notice: This patent is subject to a terminal disclaimer.

(\*\*) Term: **14 Years**

(21) Appl. No.: **29/522,044**

(22) Filed: **Mar. 27, 2015**

**Related U.S. Application Data**

(62) Division of application No. 29/498,279, filed on Aug. 1, 2014, now Pat. No. Des. 728,932.

(51) **LOC (10) Cl.** ..... **01-03**

(52) **U.S. Cl.**  
USPC ..... **D3/276; D3/296; D3/297; D3/905**

(58) **Field of Classification Search**  
USPC ..... D3/276, 279, 281, 282, 284, 291, 294, D3/296, 295, 297, 298, 901, 905, 288, 292, D3/273, 302; 206/372-379, 1.7; 220/523-528, 324; D19/106, 83  
CPC ..... B25H 3/02-3/028; B25H 3/00; B25H 3/003; B25H 3/006

See application file for complete search history.

(56) **References Cited**

U.S. PATENT DOCUMENTS

1,992,630	A *	2/1935	Piperoux	206/743
2,628,752	A *	2/1953	Corkish	312/244
2,697,460	A *	12/1954	Barnett	144/285
D218,080	S *	7/1970	Sierzega	D3/297
4,717,020	A *	1/1988	Viira	206/372
D326,775	S *	6/1992	Skillius	D3/281
D328,818	S *	8/1992	Hanna et al.	D3/281
D353,049	S *	12/1994	Schmidt	D3/283
D361,659	S *	8/1995	Kahl et al.	D3/260
5,624,029	A *	4/1997	Shih	206/372
5,899,420	A *	5/1999	Gerardi	248/146
D434,225	S *	11/2000	Story et al.	D3/281
D496,531	S *	9/2004	Einav et al.	D3/276
7,246,718	B2 *	7/2007	Einav et al.	220/764
D717,047	S *	11/2014	Shitrit et al.	D3/276
D728,932	S *	5/2015	Horovitz et al.	D3/276
2002/0125159	A1 *	9/2002	Hann	206/372
2009/0277905	A1 *	11/2009	Gillan	220/315
2012/0080432	A1 *	4/2012	Bensman et al.	220/324
2015/0151427	A1 *	6/2015	Ben-Gigi	220/4.27

\* cited by examiner

*Primary Examiner* — Jennifer Rivard

*Assistant Examiner* — April Rivas

(74) *Attorney, Agent, or Firm* — Gabriel A. Haboubi

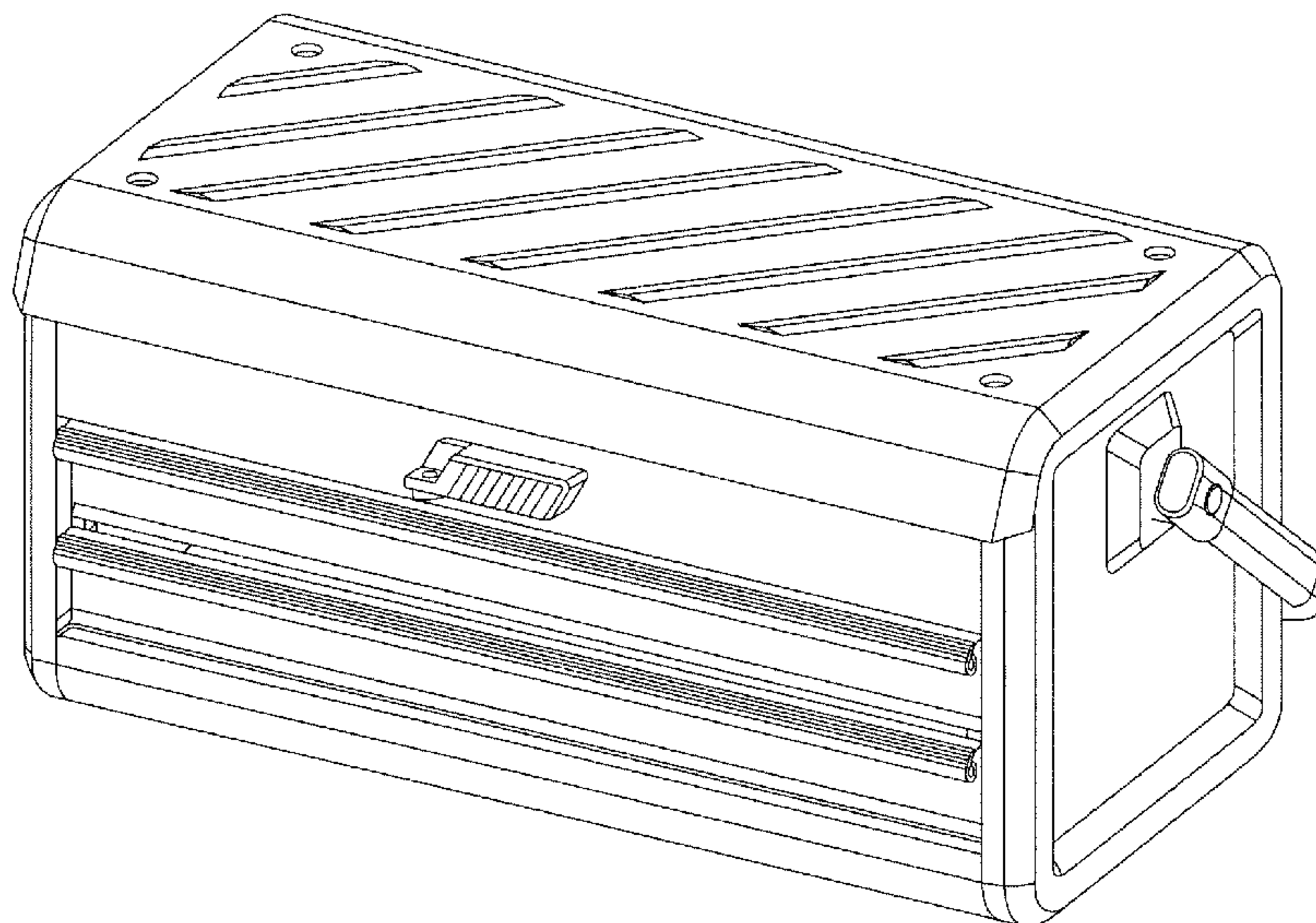
(57) **CLAIM**

The ornamental design for a tool box, as shown and described.

**DESCRIPTION**

FIG. 1 is a perspective view of our new design.  
FIG. 2 is a left side view thereof.  
FIG. 3 is a right side view thereof.  
FIG. 4 is a top view thereof.  
FIG. 5 is a bottom view thereof.  
FIG. 6 is a front view thereof; and,  
FIG. 7 is a rear view thereof.

**1 Claim, 7 Drawing Sheets**



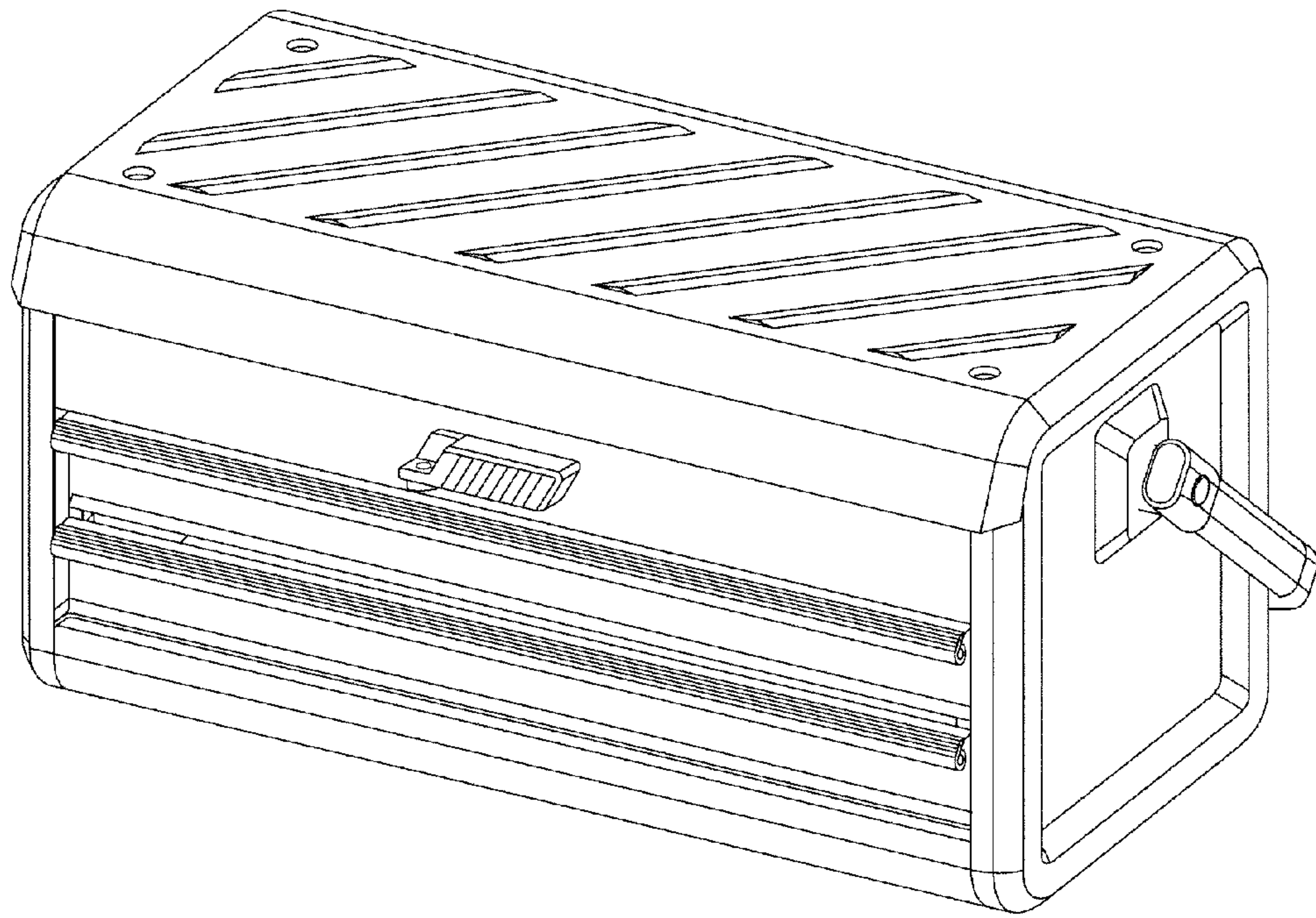


FIG. 1

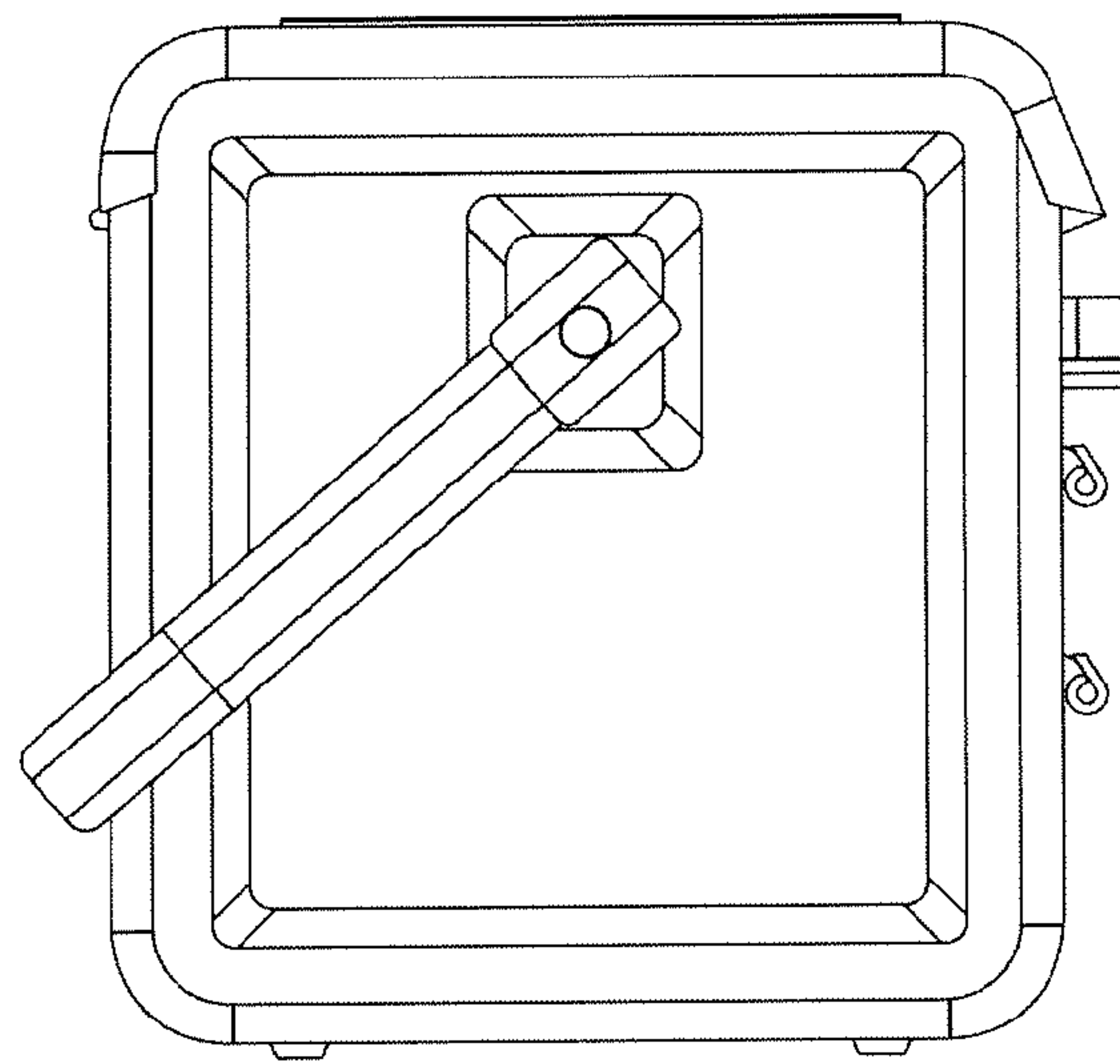


FIG. 2

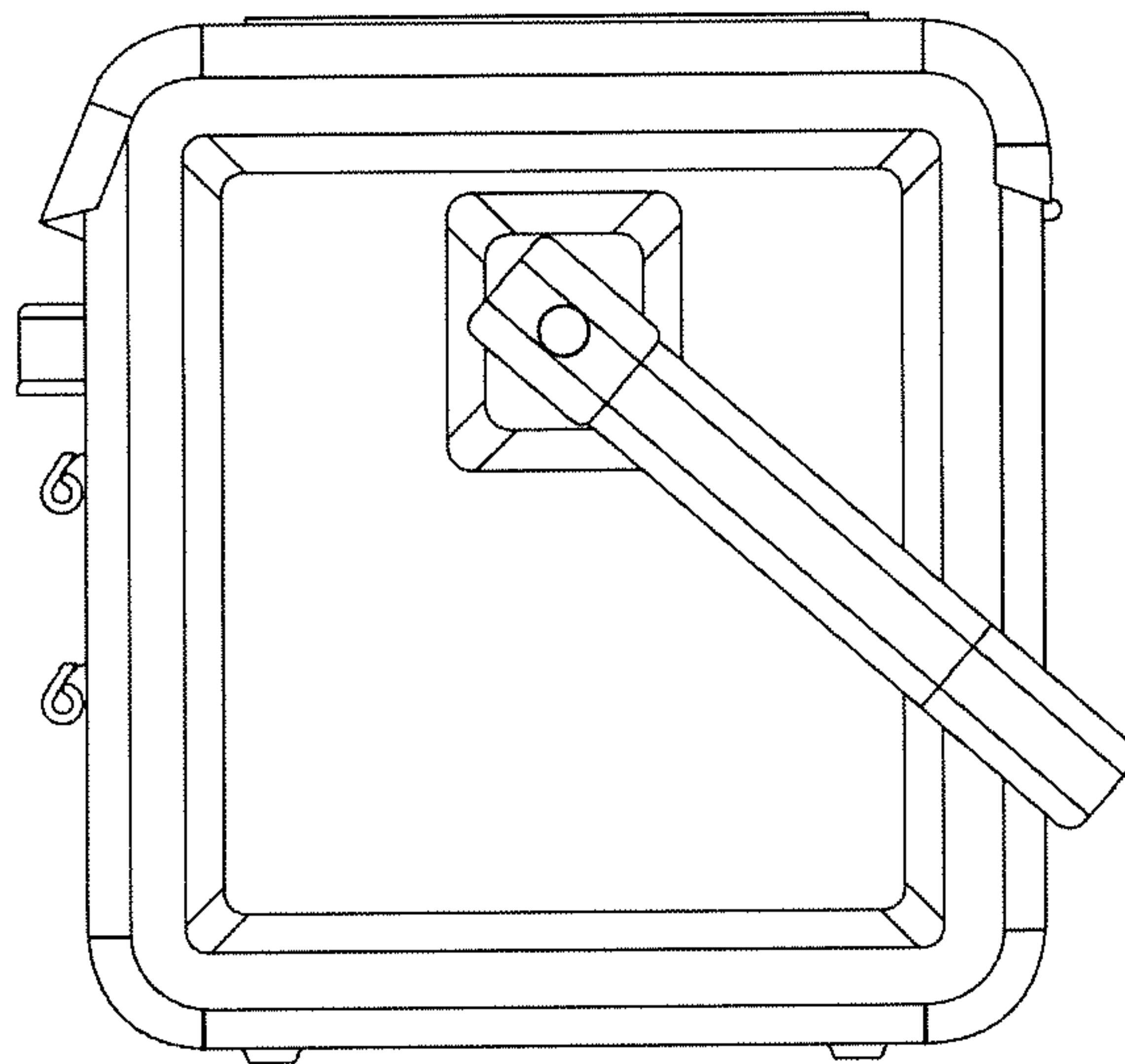


FIG. 3

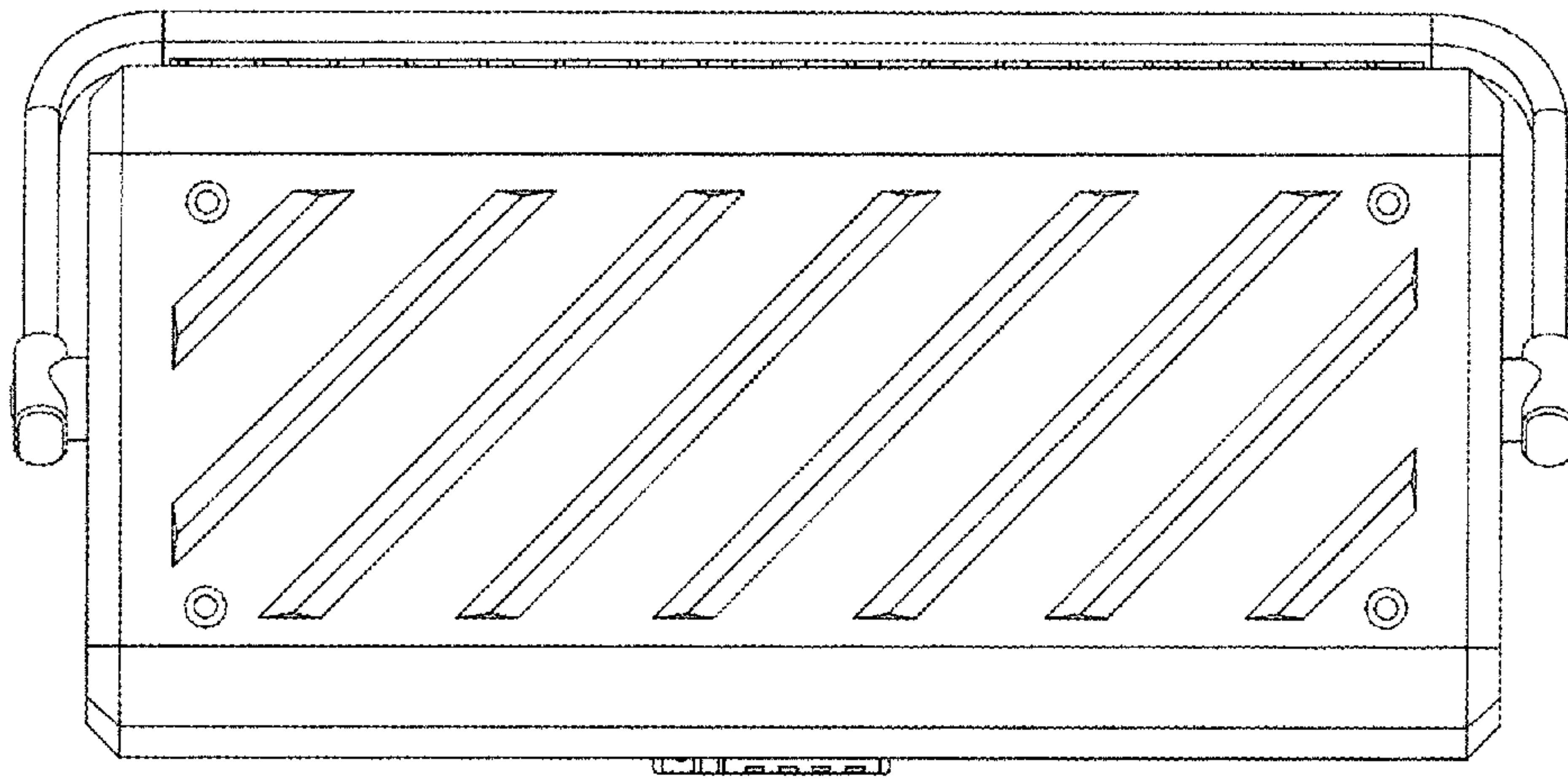


FIG. 4



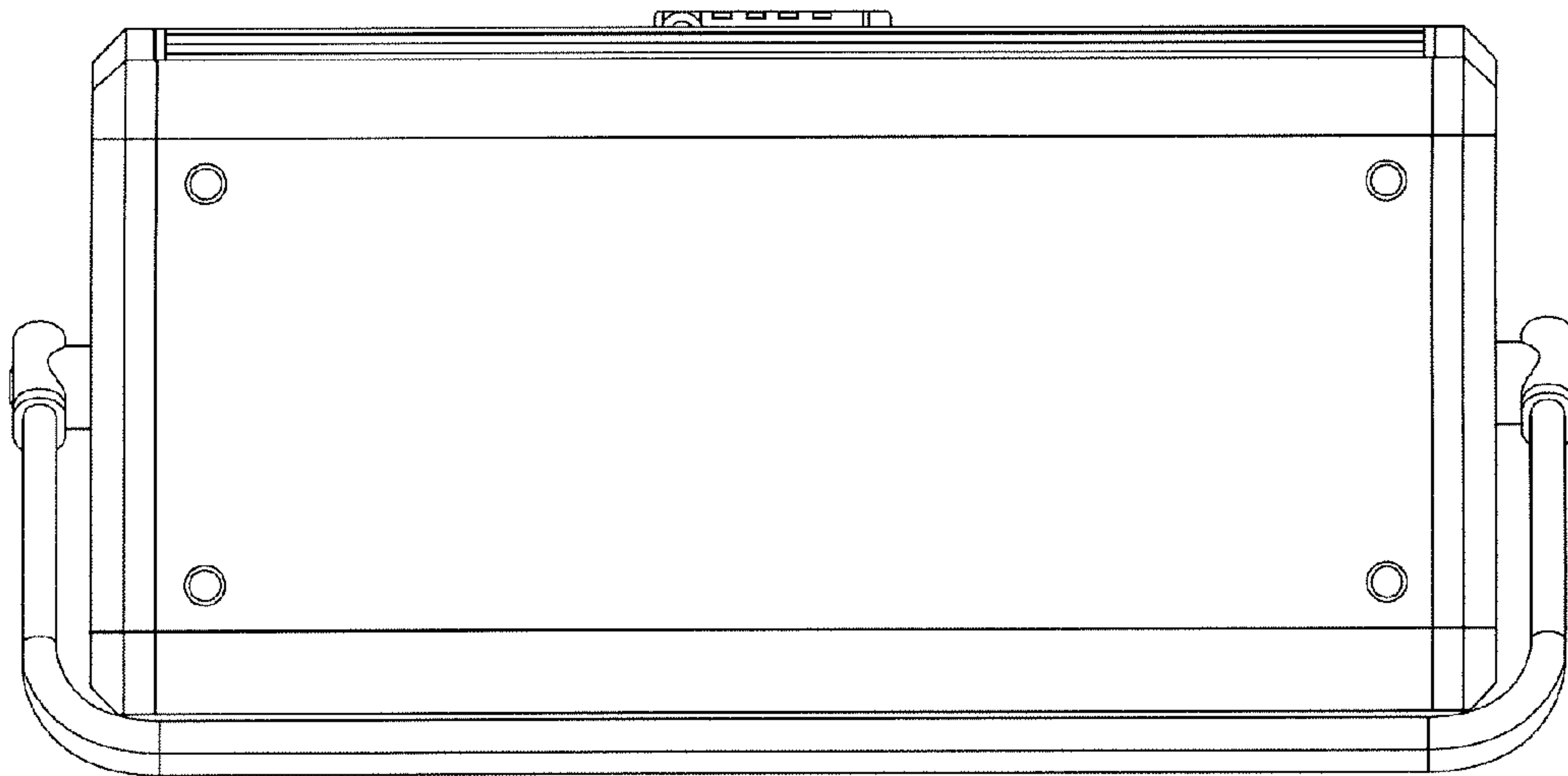


FIG. 5

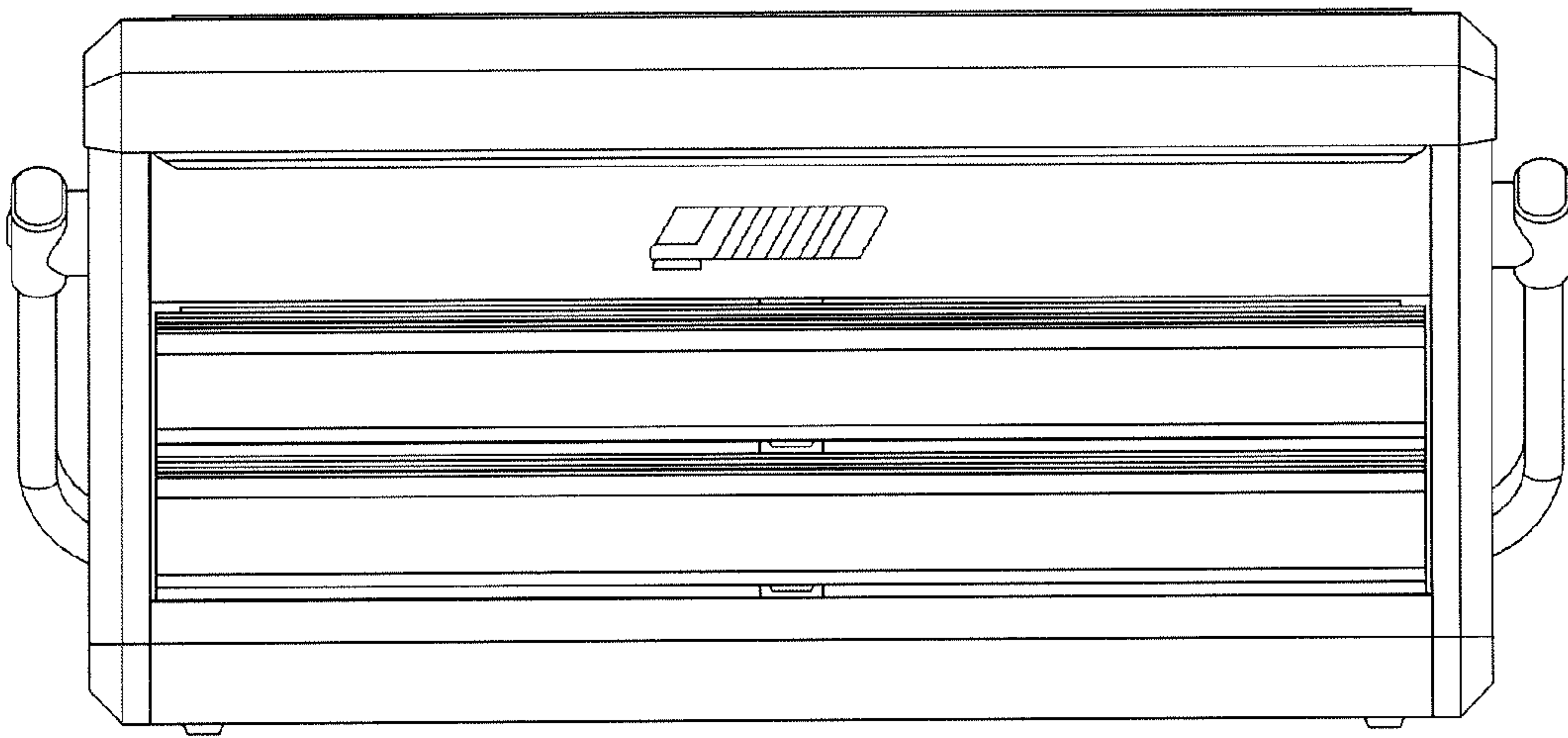


FIG. 6

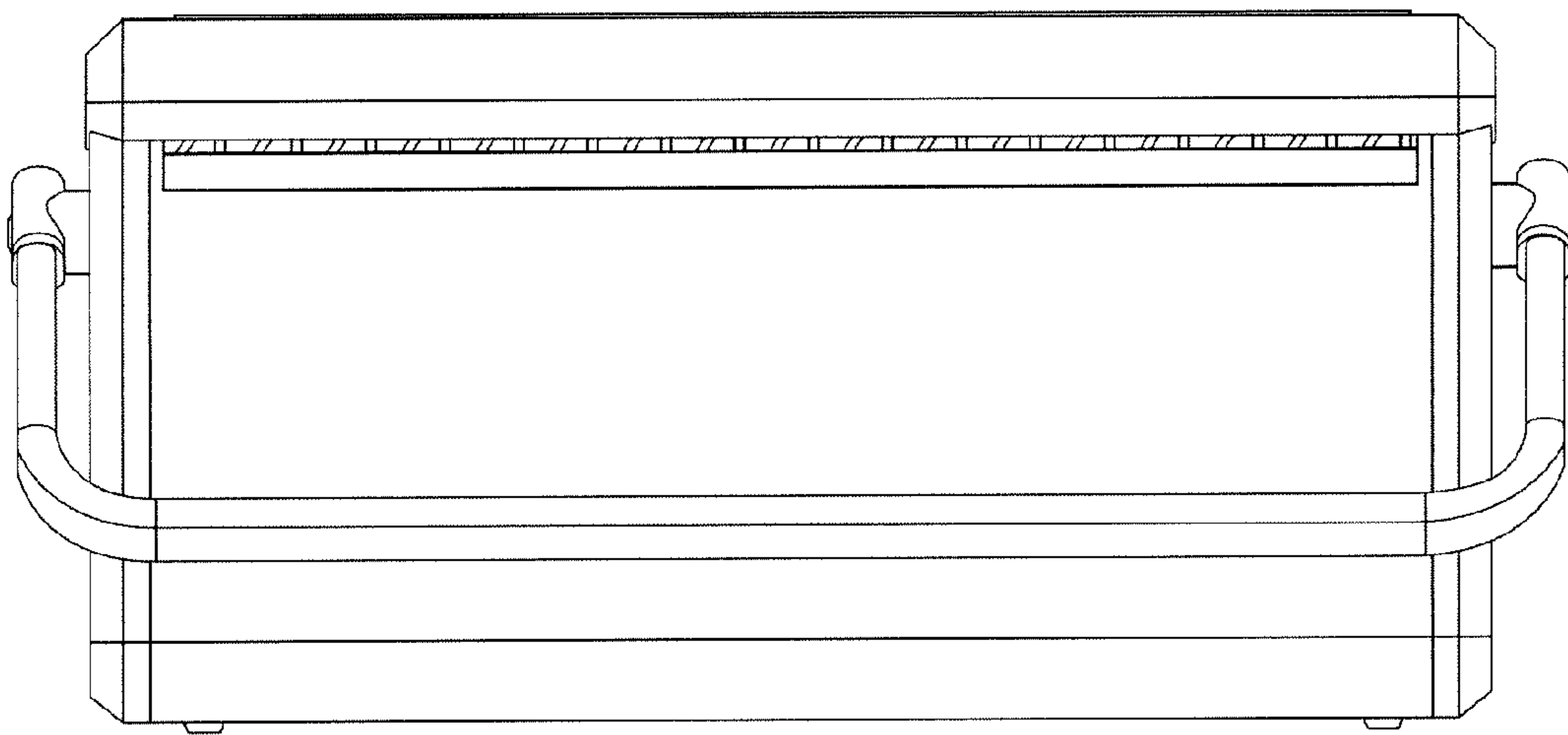


FIG. 7