



US00D764795S

(12) **United States Design Patent** (10) **Patent No.:** **US D764,795 S**
Su (45) **Date of Patent:** **** Aug. 30, 2016**

(54) **TOY GOLF CLUB CADDY**

(71) Applicant: **TAIWAN JOCA CORP.**, Taipei (TW)

(72) Inventor: **Tsang-Sheng Su**, Taipei (TW)

(73) Assignee: **TAIWAN JOCA CORP.**, Taipei (TW)

(**) Term: **15 Years**

(21) Appl. No.: **29/545,913**

(22) Filed: **Nov. 17, 2015**

(51) **LOC (10) Cl.** **03-01**

(52) **U.S. Cl.**
USPC **D3/255**

(58) **Field of Classification Search**
USPC D3/255
CPC .. A63B 55/00; A63B 55/008; A63B 55/004;
A63B 55/005; A63B 57/00
See application file for complete search history.

(56) **References Cited**

U.S. PATENT DOCUMENTS

- D316,779 S * 5/1991 Henrickson D3/255
- D394,950 S * 6/1998 Kite D3/255
- D653,032 S * 1/2012 Myers D3/255

* cited by examiner

Primary Examiner — Holly Baynham

(74) *Attorney, Agent, or Firm* — Kirton McConkie; Evan R. Witt

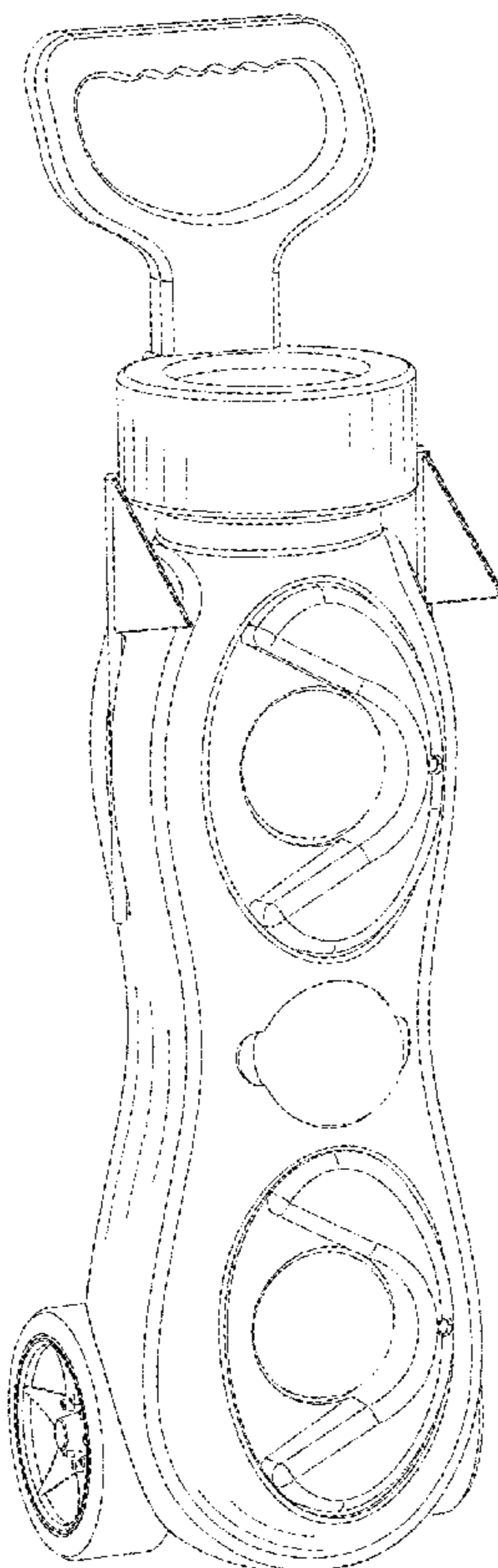
(57) **CLAIM**

The ornamental design for a toy golf club caddy, as shown and described.

DESCRIPTION

FIG. 1 is a front perspective view of a toy golf club caddy showing my new design;
 FIG. 2 is another perspective view thereof;
 FIG. 3 is a front elevational view thereof;
 FIG. 4 is a rear elevational view thereof;
 FIG. 5 is a left side elevational view thereof;
 FIG. 6 is a right side elevational view thereof;
 FIG. 7 is a top plan view thereof; and,
 FIG. 8 is a bottom plan view thereof.
 The broken lines are for the purpose of illustrating portions of balls used with the toy golf club caddy and form no part of the claimed design.

1 Claim, 7 Drawing Sheets



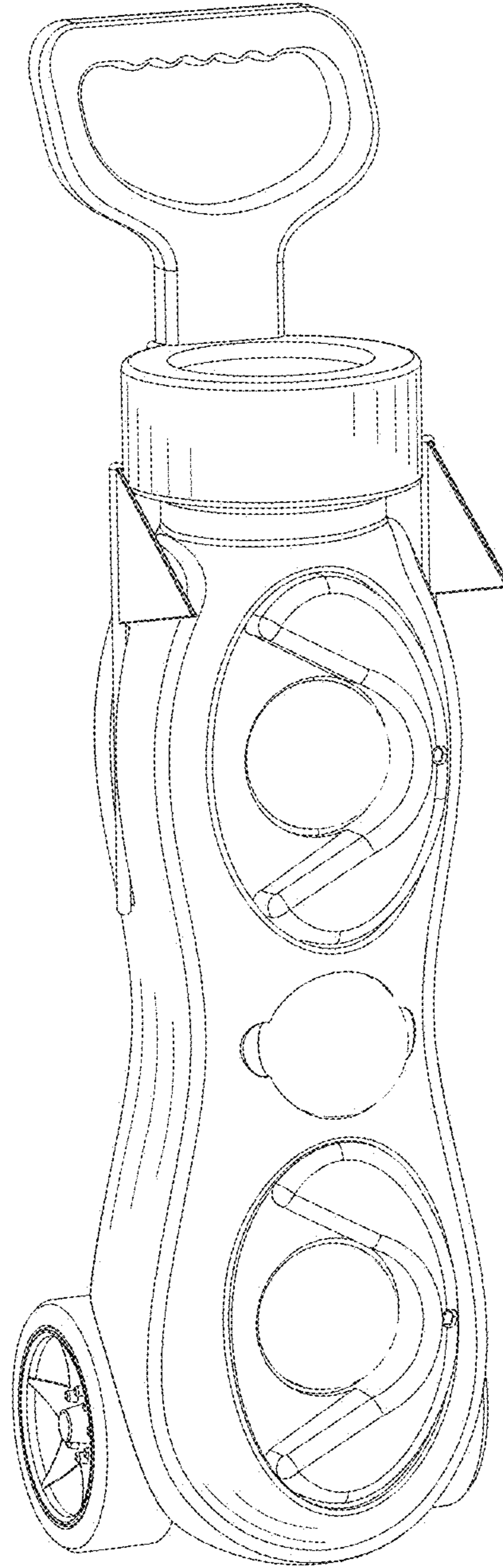


FIG. 1

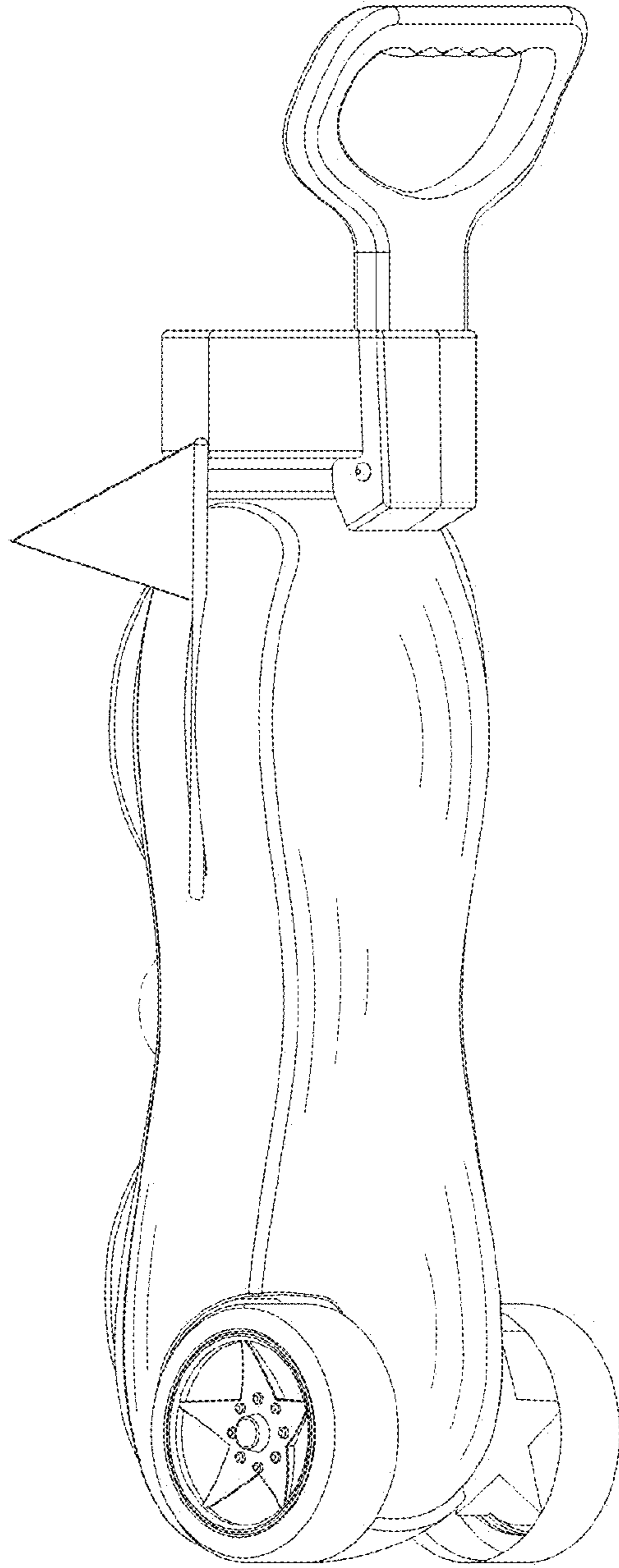


FIG. 2

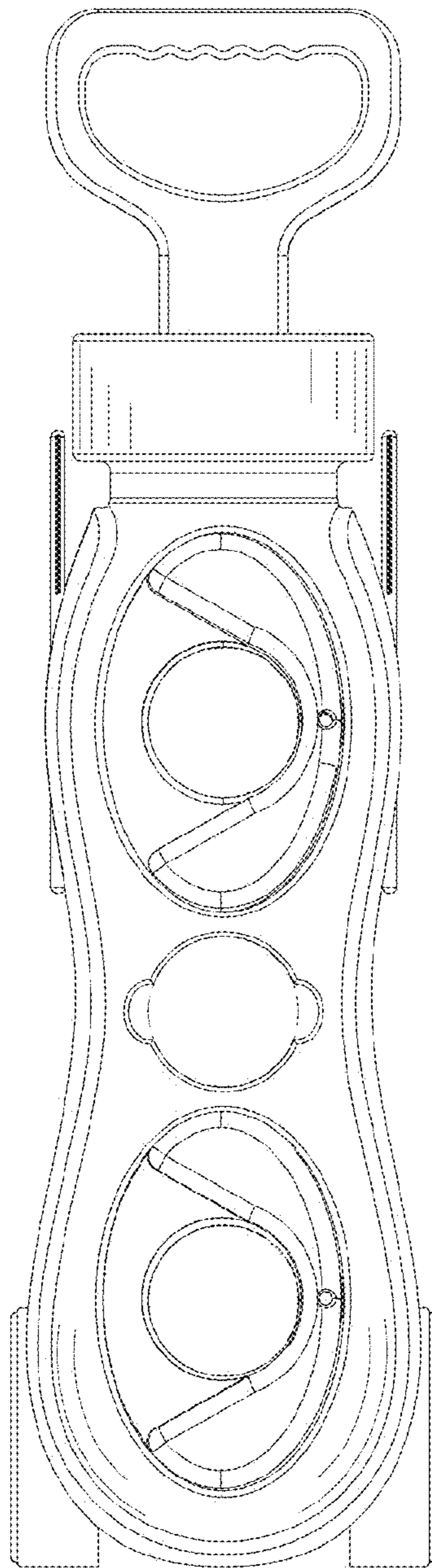


FIG. 3

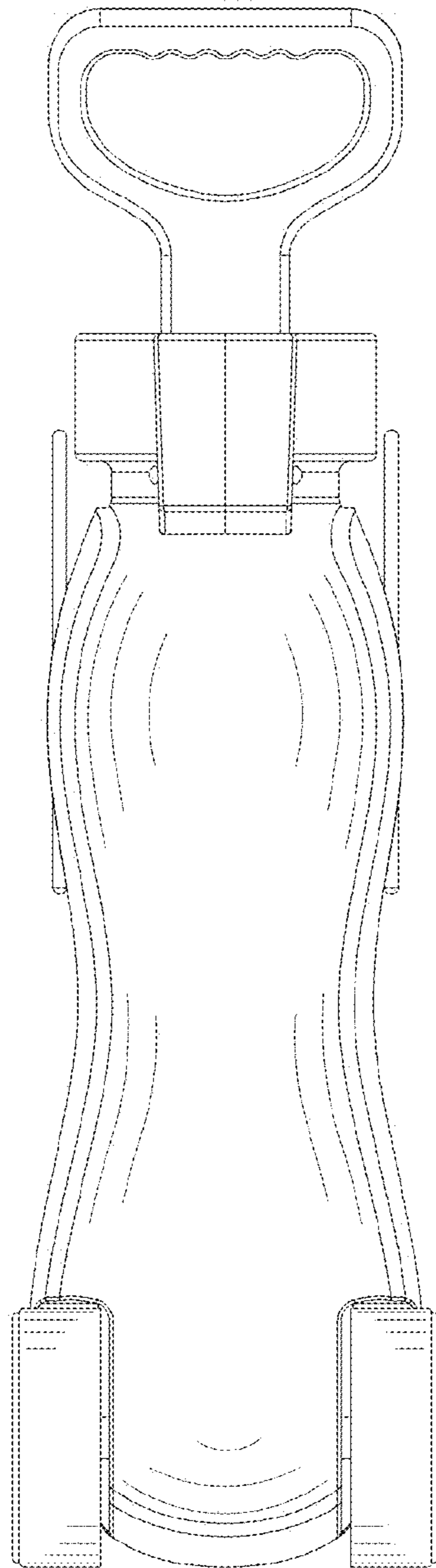


FIG. 4

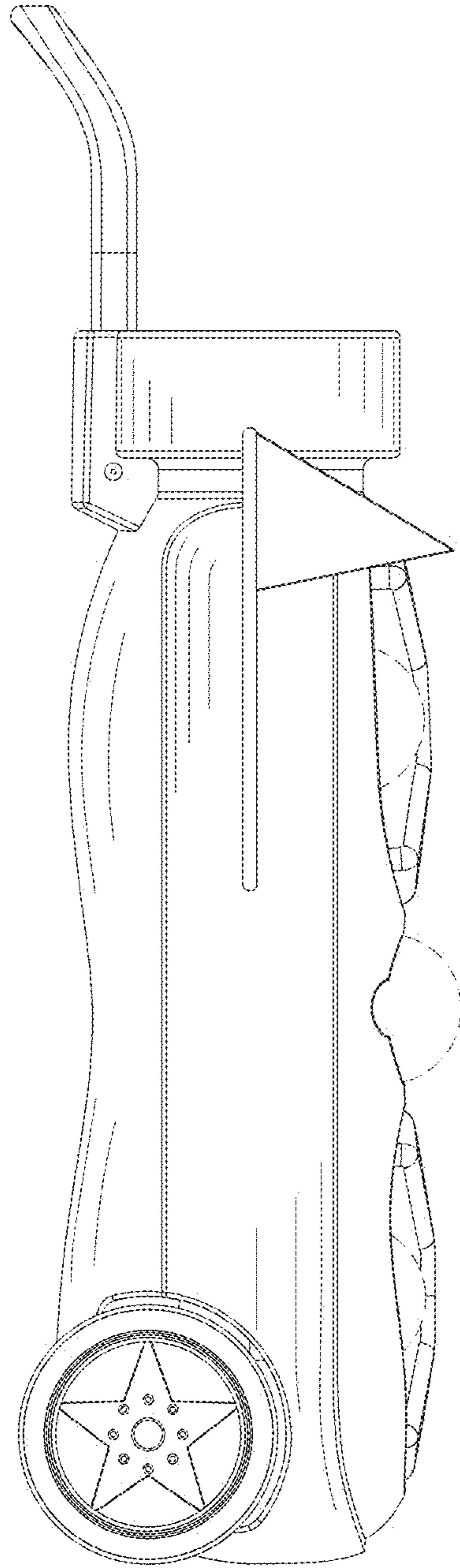


FIG. 5

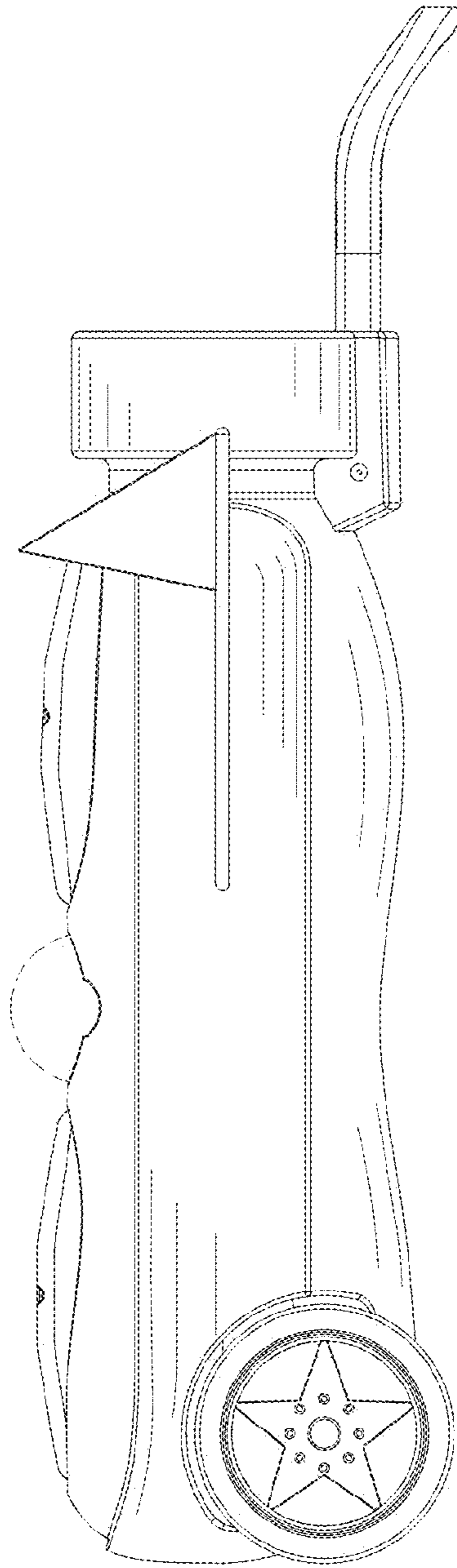


FIG. 6

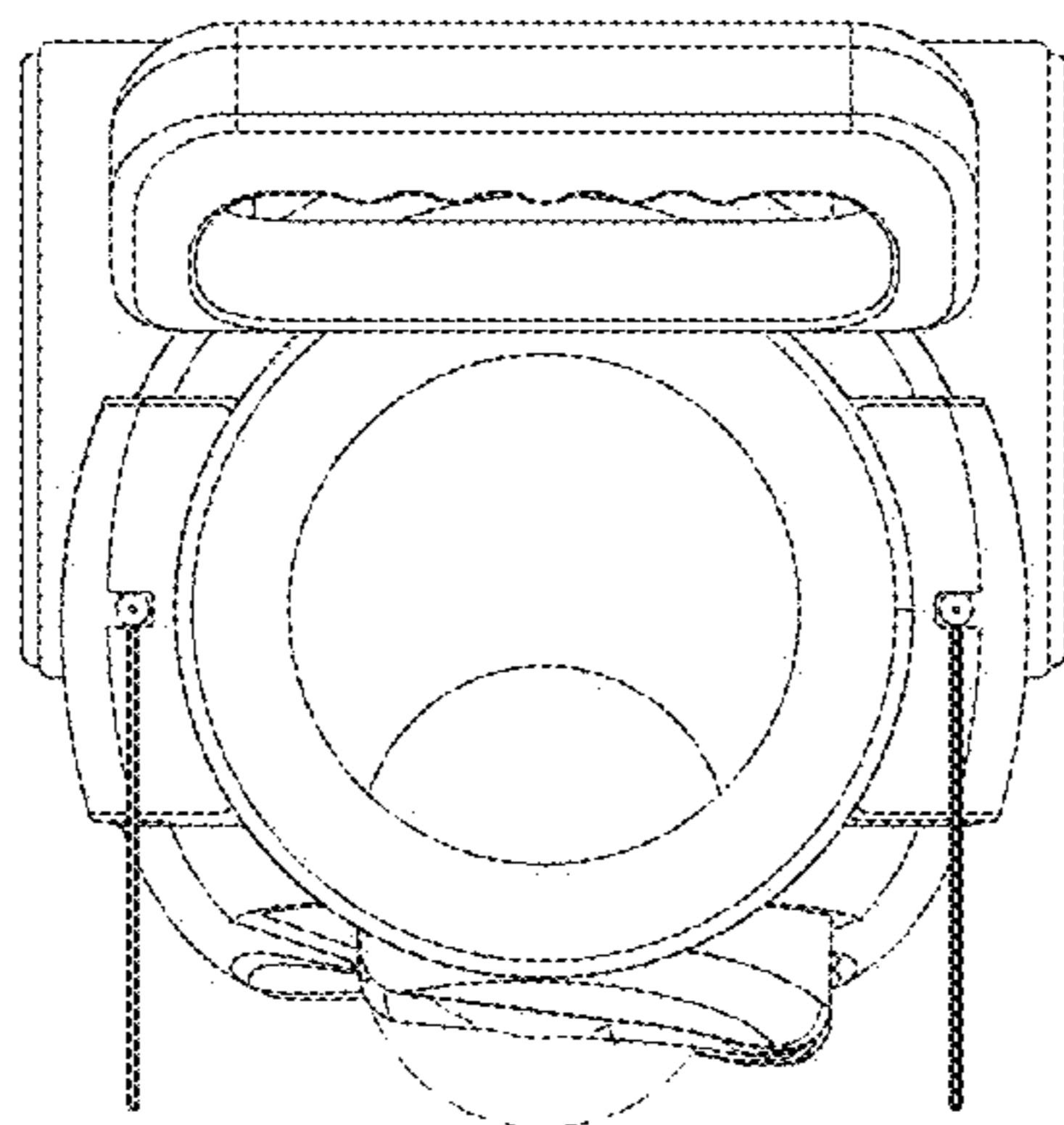


FIG. 7

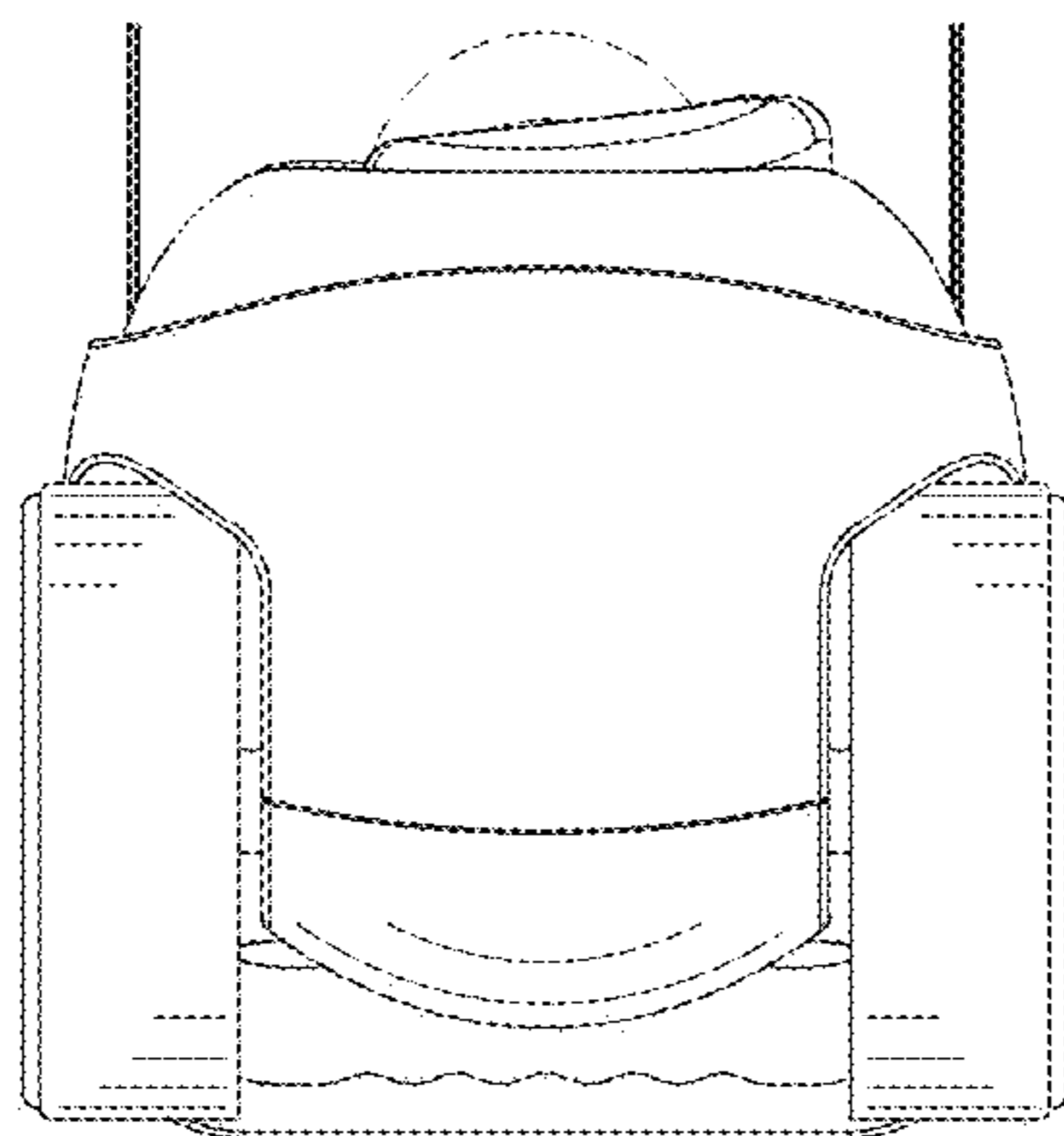


FIG. 8