



US00D764794S

(12) **United States Design Patent**
Su

(10) **Patent No.:** **US D764,794 S**

(45) **Date of Patent:** **** Aug. 30, 2016**

(54) **TOY GOLF CLUB CADDY**

D394,950 S * 6/1998 Kite D3/255
D653,032 S * 1/2012 Myers D3/255

(71) Applicant: **TAIWAN JOCA CORP.**, Taipei (TW)

* cited by examiner

(72) Inventor: **Tsang-Sheng Su**, Taipei (TW)

Primary Examiner — Holly Baynham

(73) Assignee: **TAIWAN JOCA CORP.**, Taipei (TW)

(74) *Attorney, Agent, or Firm* — Kirton McConkie; Evan R. Witt

(**) Term: **14 Years**

(57) **CLAIM**

(21) Appl. No.: **29/525,866**

The ornamental design for a toy golf club caddy, as shown and described.

(22) Filed: **May 4, 2015**

DESCRIPTION

(51) **LOC (10) Cl.** **03-01**

FIG. 1 is a front perspective view of a toy golf club caddy showing my new design;

(52) **U.S. Cl.**

FIG. 2 is another perspective view thereof;

USPC **D3/255**

FIG. 3 is a front elevational view thereof;

(58) **Field of Classification Search**

FIG. 4 is a rear elevational view thereof;

USPC D3/255

FIG. 5 is a left side elevational view thereof;

CPC .. A63B 55/00; A63B 55/008; A63B 55/004;

FIG. 6 is a right side elevational view thereof;

A63B 55/005; A63B 57/00

FIG. 7 is a top plan view thereof; and,

See application file for complete search history.

FIG. 8 is a bottom plan view thereof.

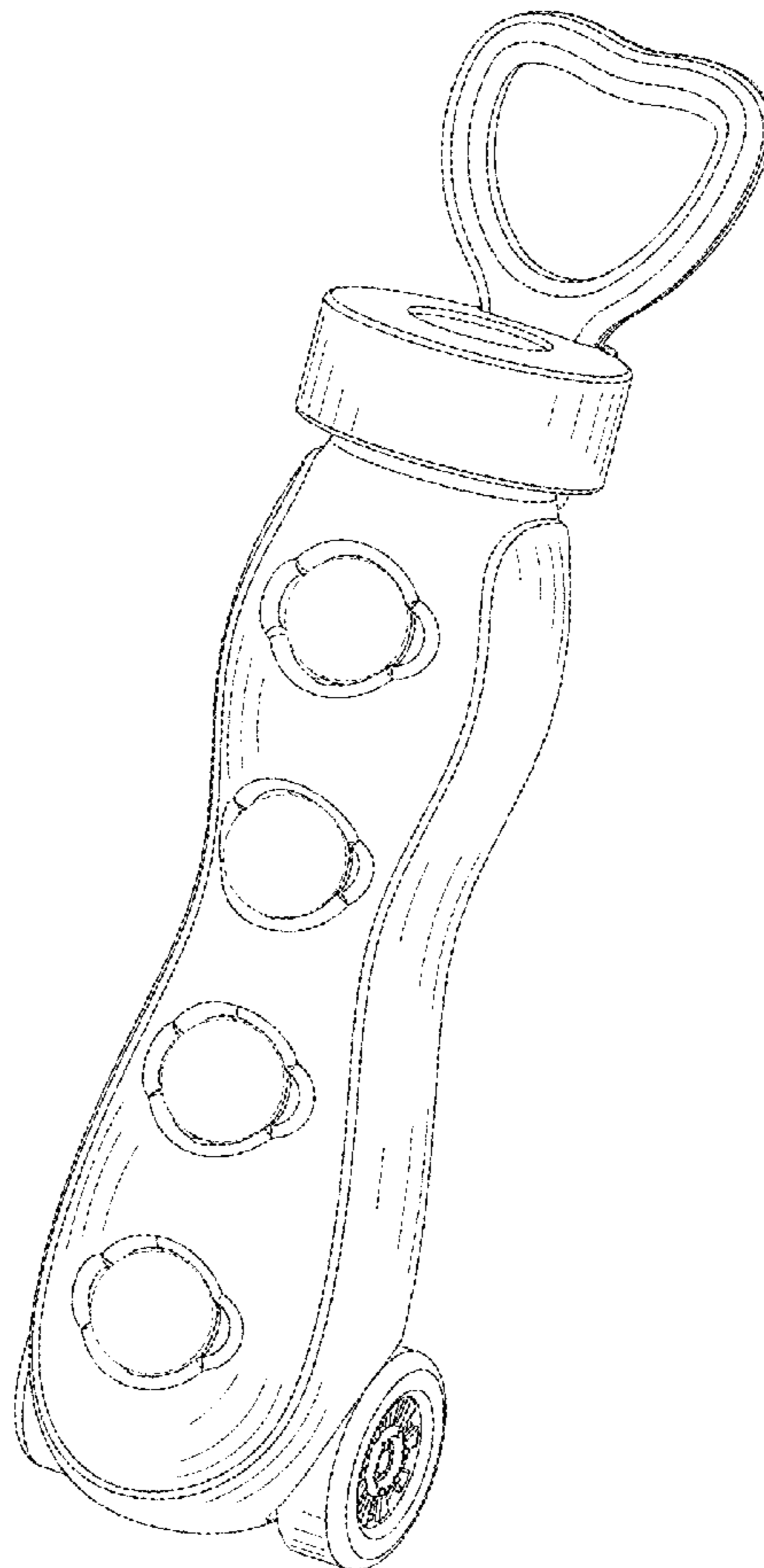
The broken lines are for the purpose of illustrating portions of balls used with the toy golf club caddy and form no part of the claimed design.

(56) **References Cited**

U.S. PATENT DOCUMENTS

D316,779 S * 5/1991 Henrickson D3/255

1 Claim, 7 Drawing Sheets



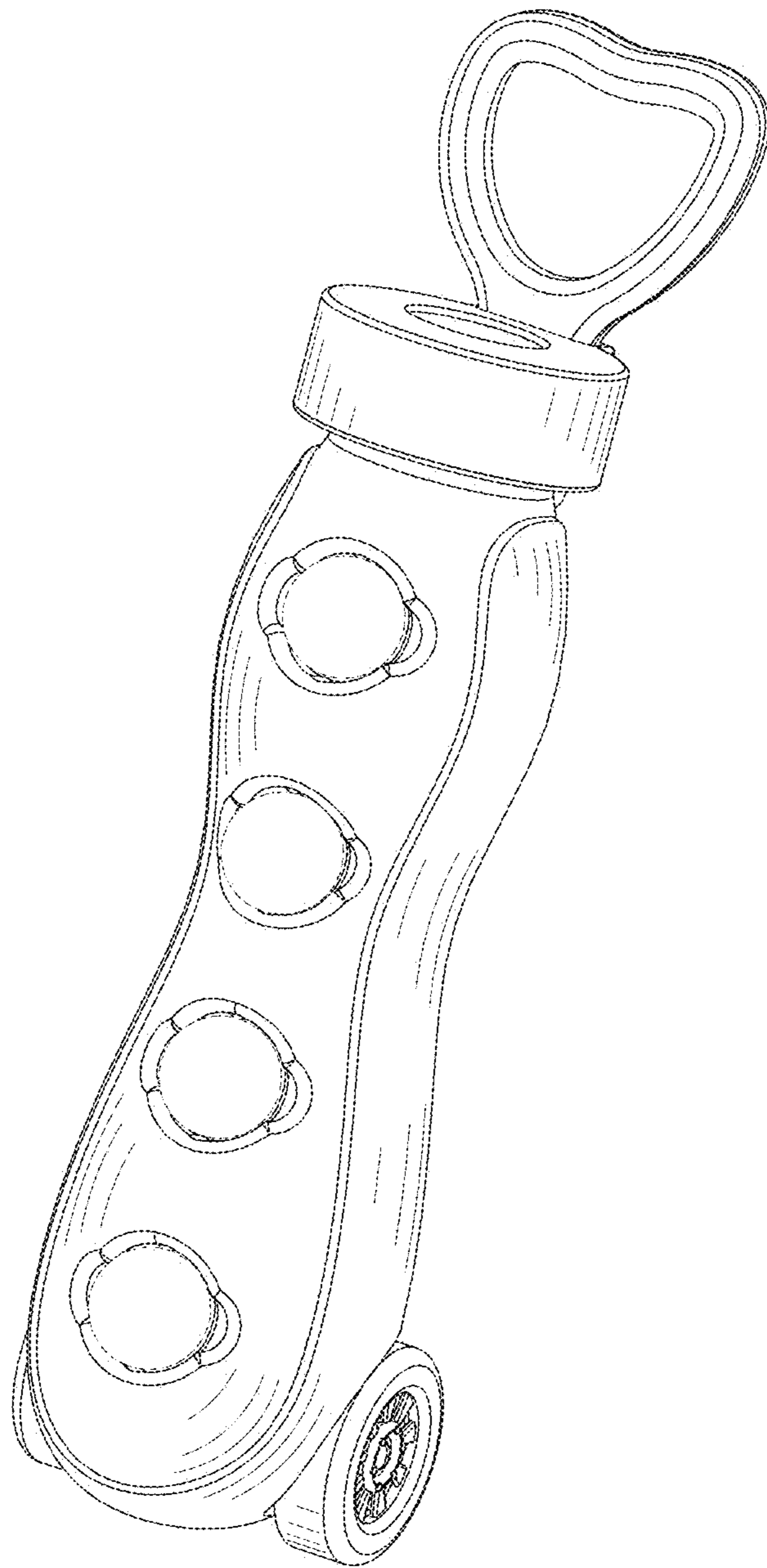


FIG. 1

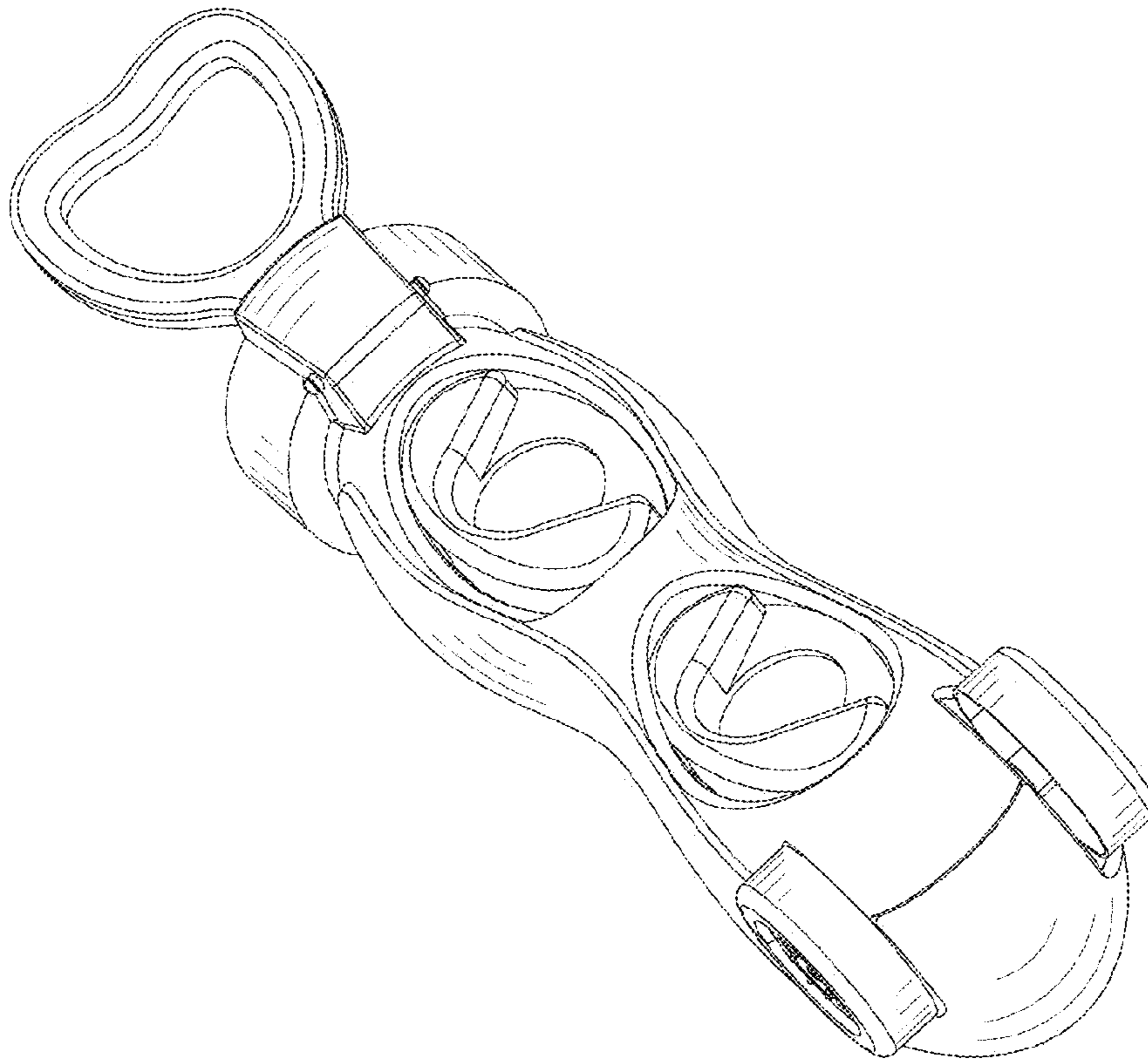


FIG. 2

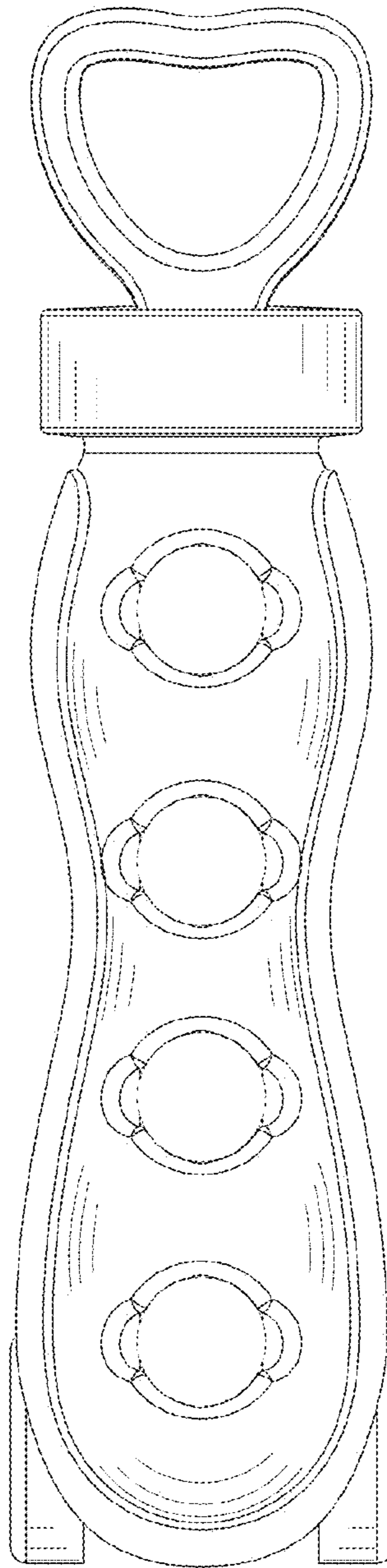


FIG. 3

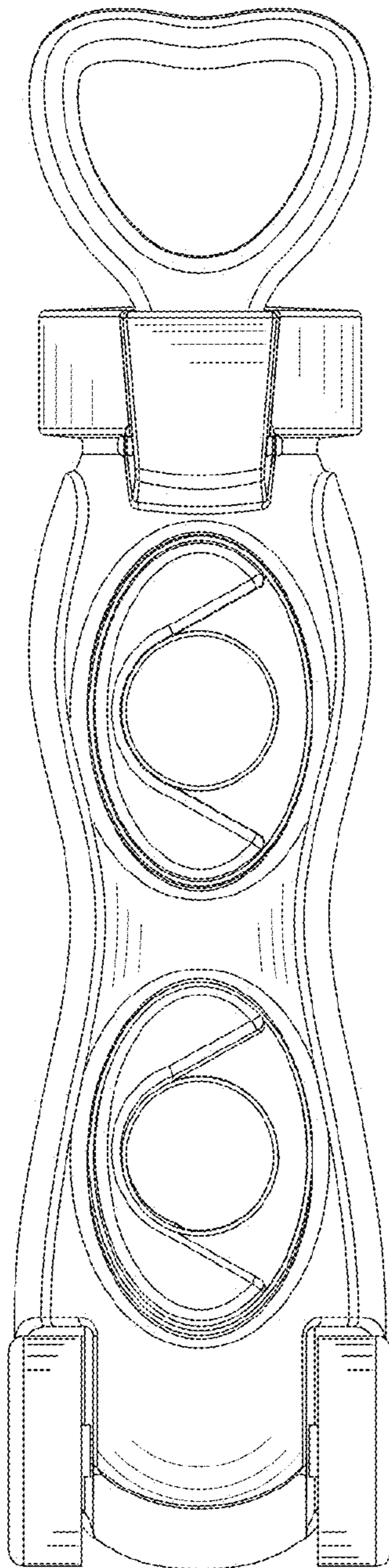


FIG. 4

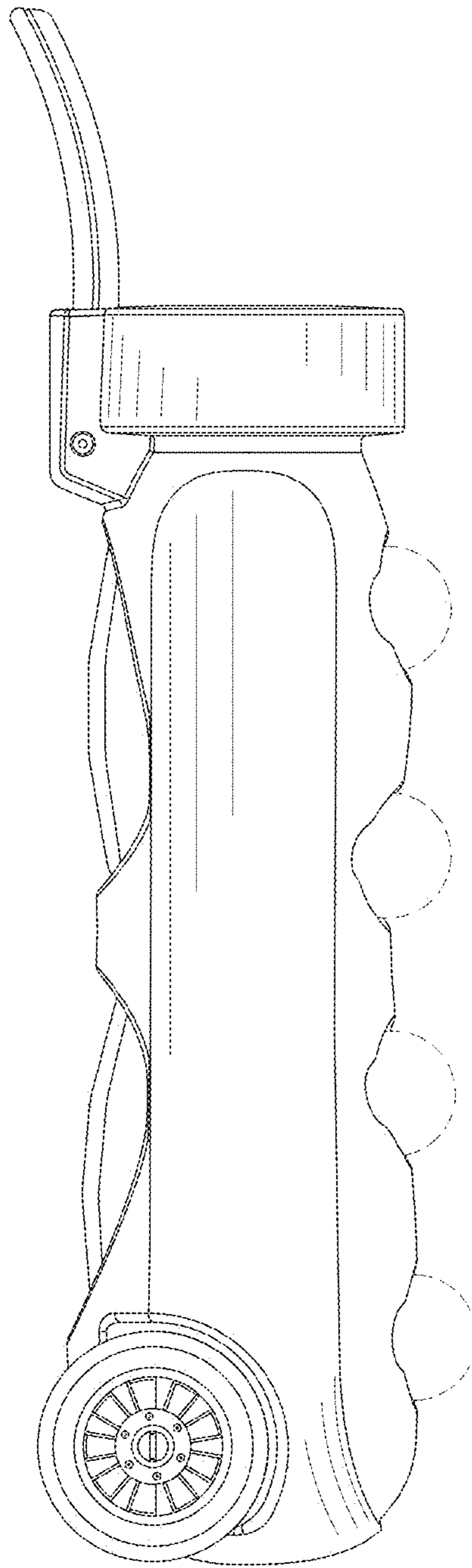


FIG. 5

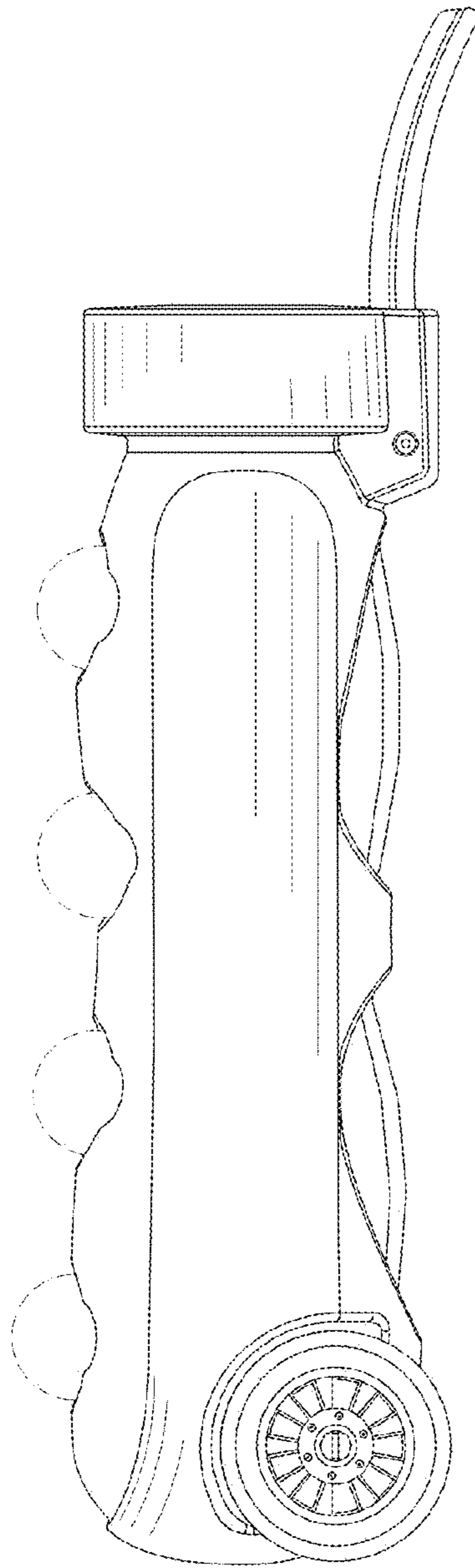


FIG. 6

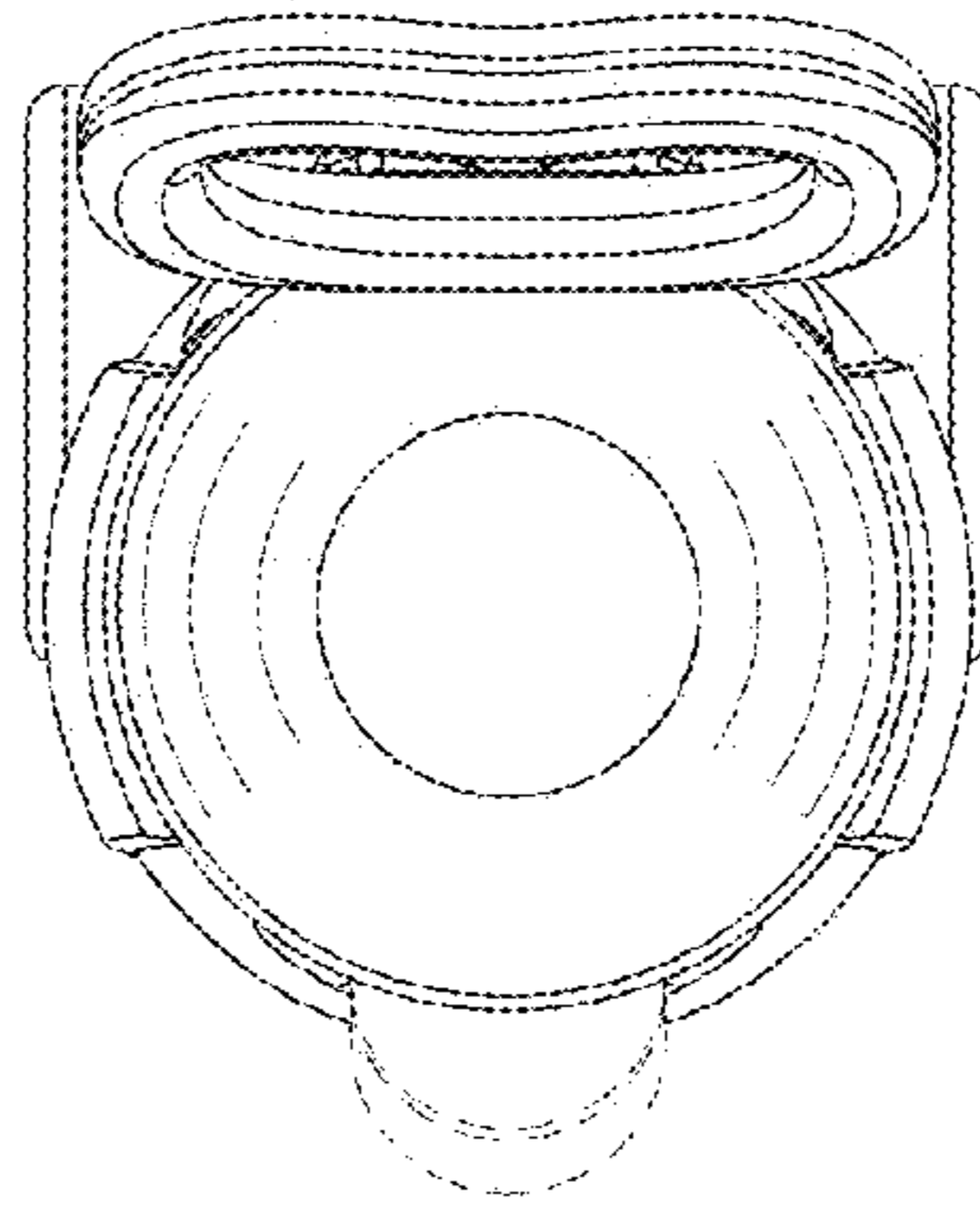


FIG. 7

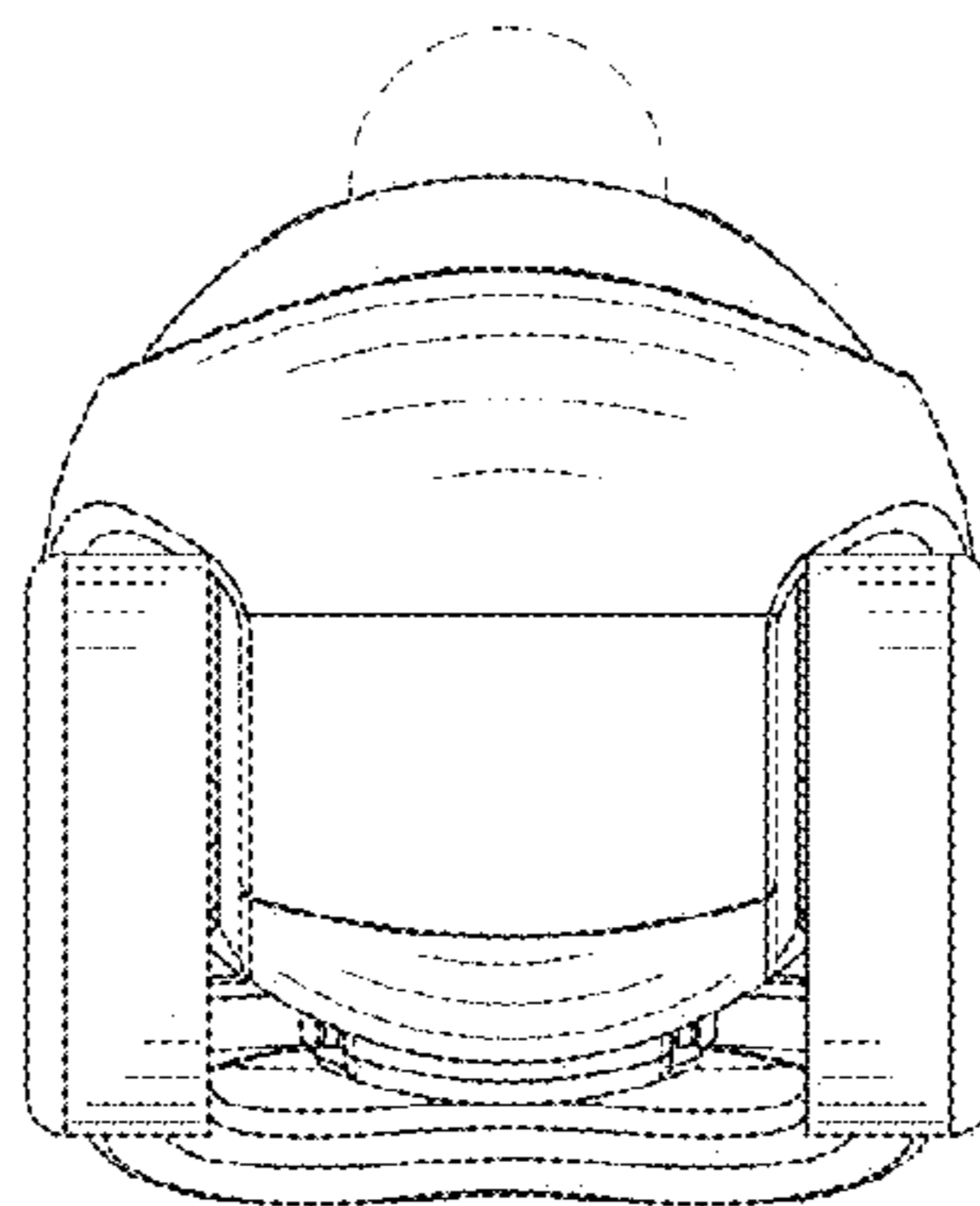


FIG. 8