

US00D764789S

(12) **United States Design Patent**  
**Dampha et al.**

(10) **Patent No.:** **US D764,789 S**

(45) **Date of Patent:** **\*\* Aug. 30, 2016**

- (54) **SHEATH FOR A CHISEL**
- (71) Applicants: **Nfamara Dampha**, Everett, WA (US);  
**Seedy Kinteh**, Everett, WA (US)
- (72) Inventors: **Nfamara Dampha**, Everett, WA (US);  
**Seedy Kinteh**, Everett, WA (US)
- (\*\*) Term: **14 Years**
- (21) Appl. No.: **29/517,081**
- (22) Filed: **Feb. 10, 2015**
- (51) **LOC (10) Cl.** ..... **03-01**
- (52) **U.S. Cl.**  
USPC ..... **D3/228**
- (58) **Field of Classification Search**  
USPC ..... D3/228, 220, 215; 30/138, 151;  
206/349; 224/232, 242, 247, 683, 904  
CPC ..... B24D 15/06; B26B 29/00; B26B 29/025  
See application file for complete search history.

- D333,213 S 2/1993 Seber
- 5,232,136 A 8/1993 Unger
- D464,483 S \* 10/2002 Bloch ..... D3/228
- 6,840,416 B2 1/2005 Aberman
- D533,343 S \* 12/2006 Gringer ..... D3/228
- 7,175,023 B2 2/2007 Martin
- D583,549 S \* 12/2008 Schuyler ..... D3/228
- 2002/0148746 A1 10/2002 Eriksson

\* cited by examiner

*Primary Examiner* — Catheri Oliver-Garcia

(57) **CLAIM**

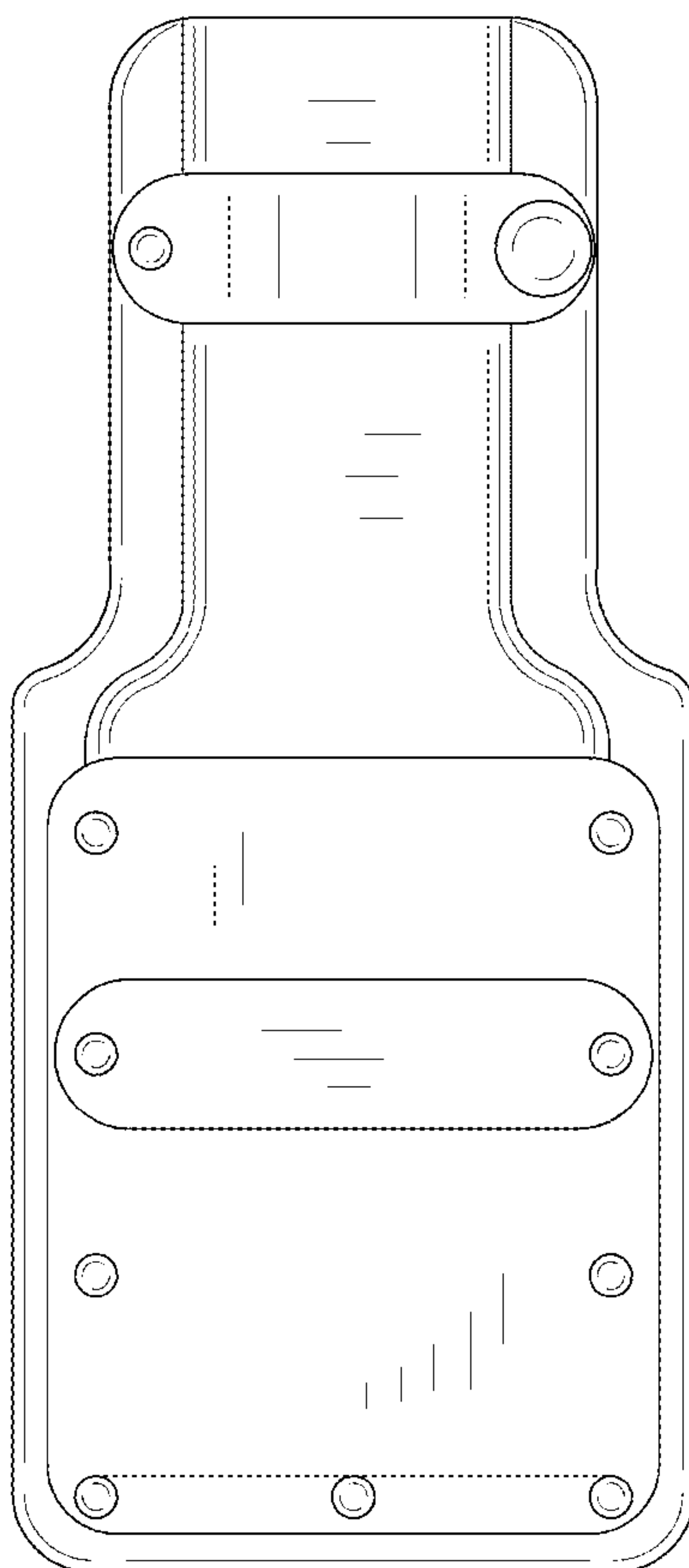
We claim the ornamental design for a sheath for a chisel, as shown and described.

**DESCRIPTION**

FIG. 1 is a front view of the sheath for a chisel;  
 FIG. 2 is a rear view thereof;  
 FIG. 3 is a left view thereof;  
 FIG. 4 is a right view thereof;  
 FIG. 5 is a top view thereof;  
 FIG. 6 is a bottom view thereof; and,  
 FIG. 7 is a perspective view thereof.  
 The broken lines of a chisel and tape measure in FIG. 7 depict environment and do not form part of the claimed design.

**1 Claim, 5 Drawing Sheets**

- (56) **References Cited**  
U.S. PATENT DOCUMENTS
- 3,430,760 A 3/1969 Ulmer
- 4,496,088 A 1/1985 Tuthill
- 4,942,663 A 7/1990 Ray, Sr.



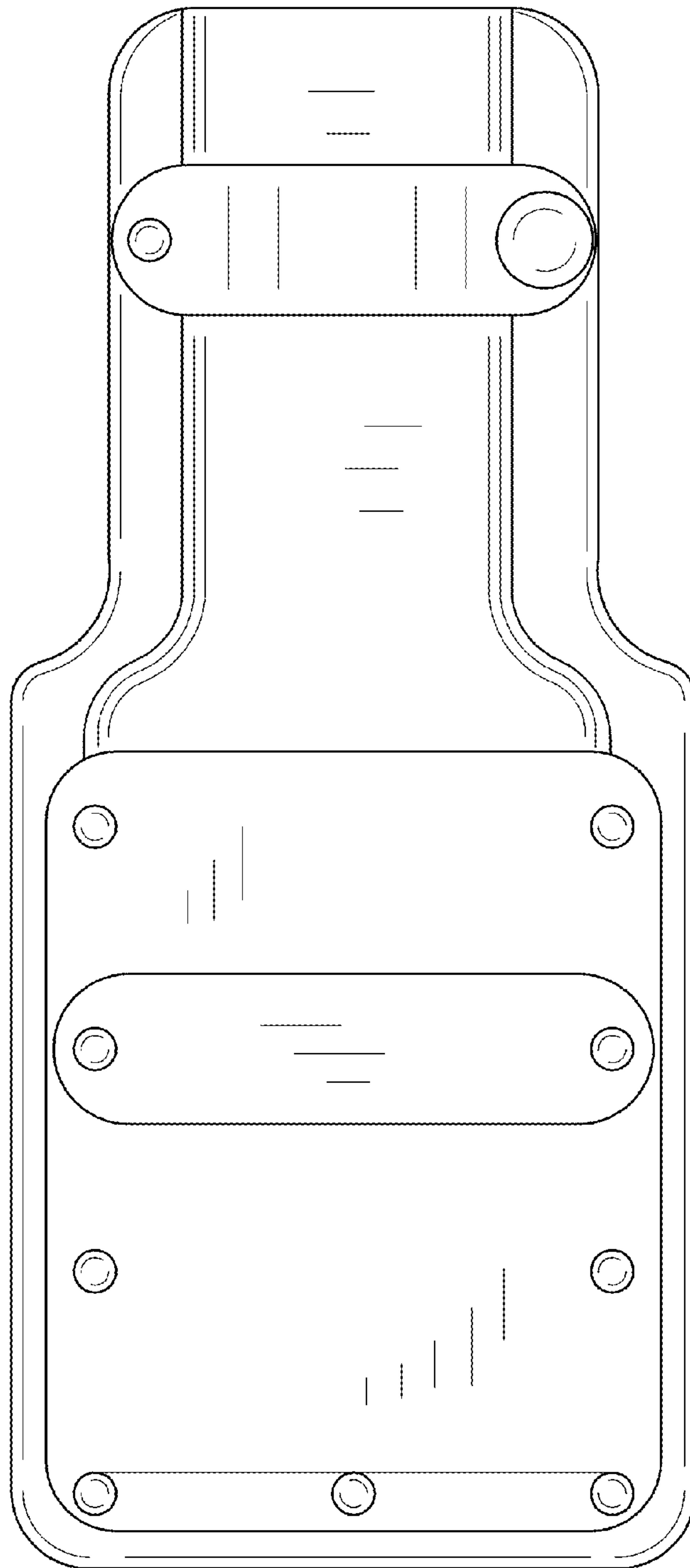


FIG. 1

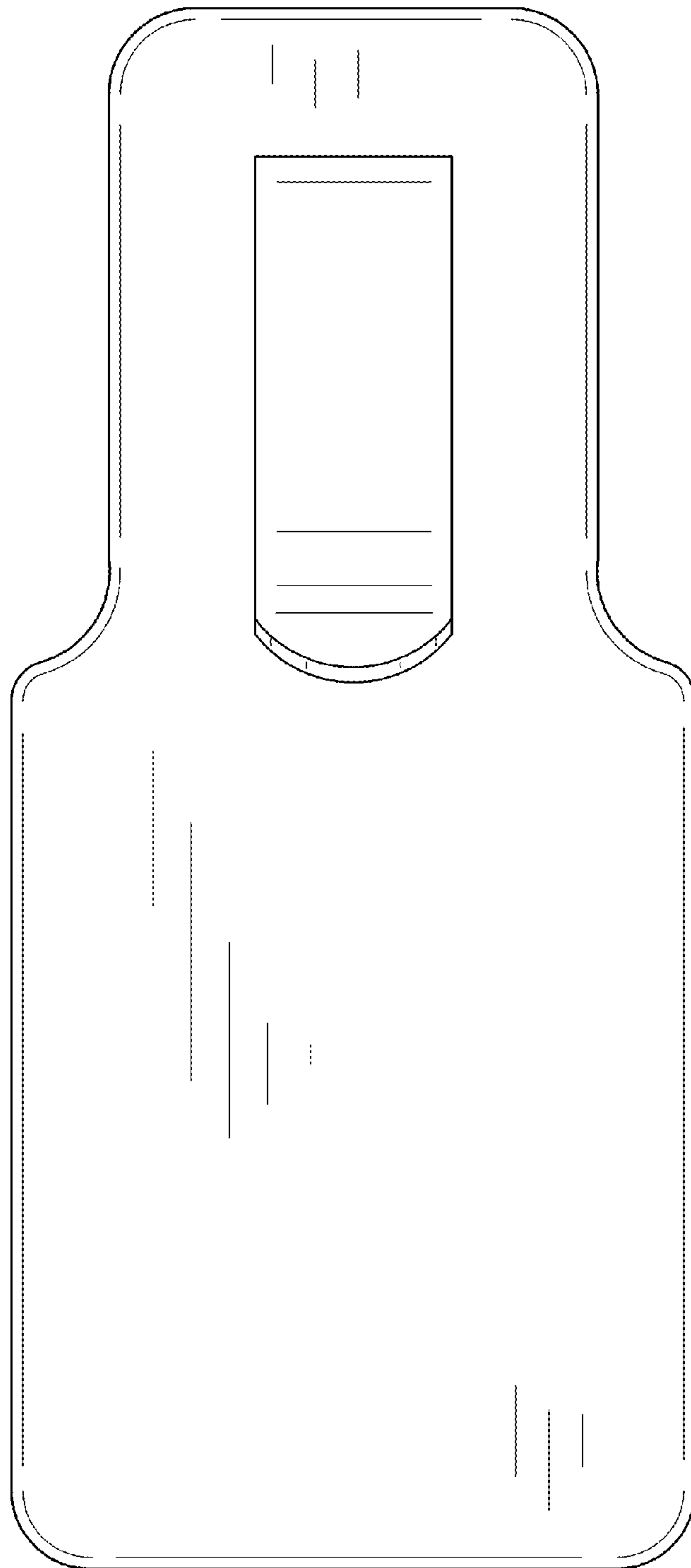


FIG. 2

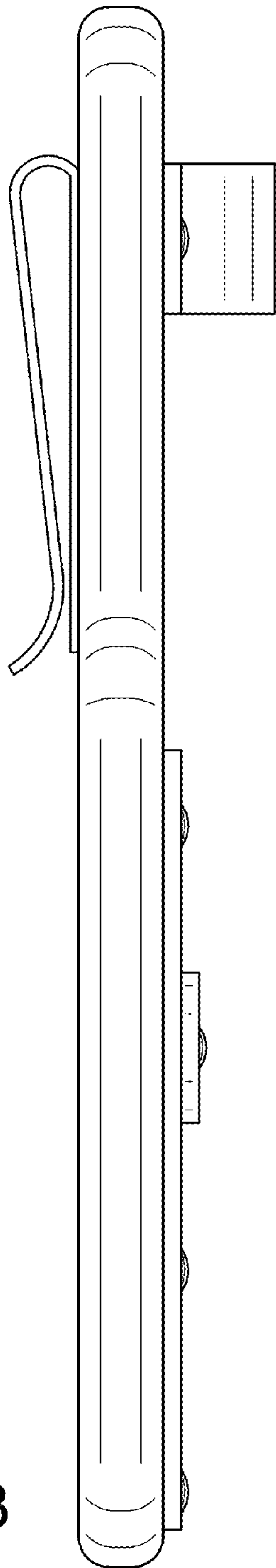


FIG. 3

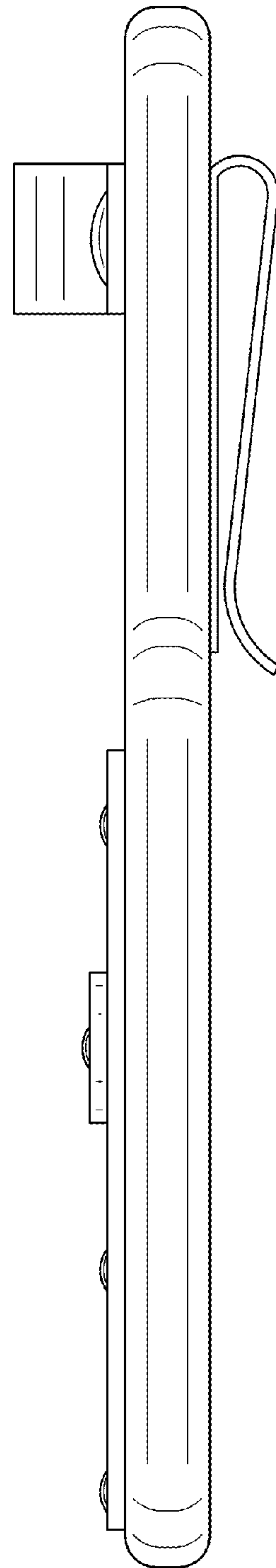


FIG. 4

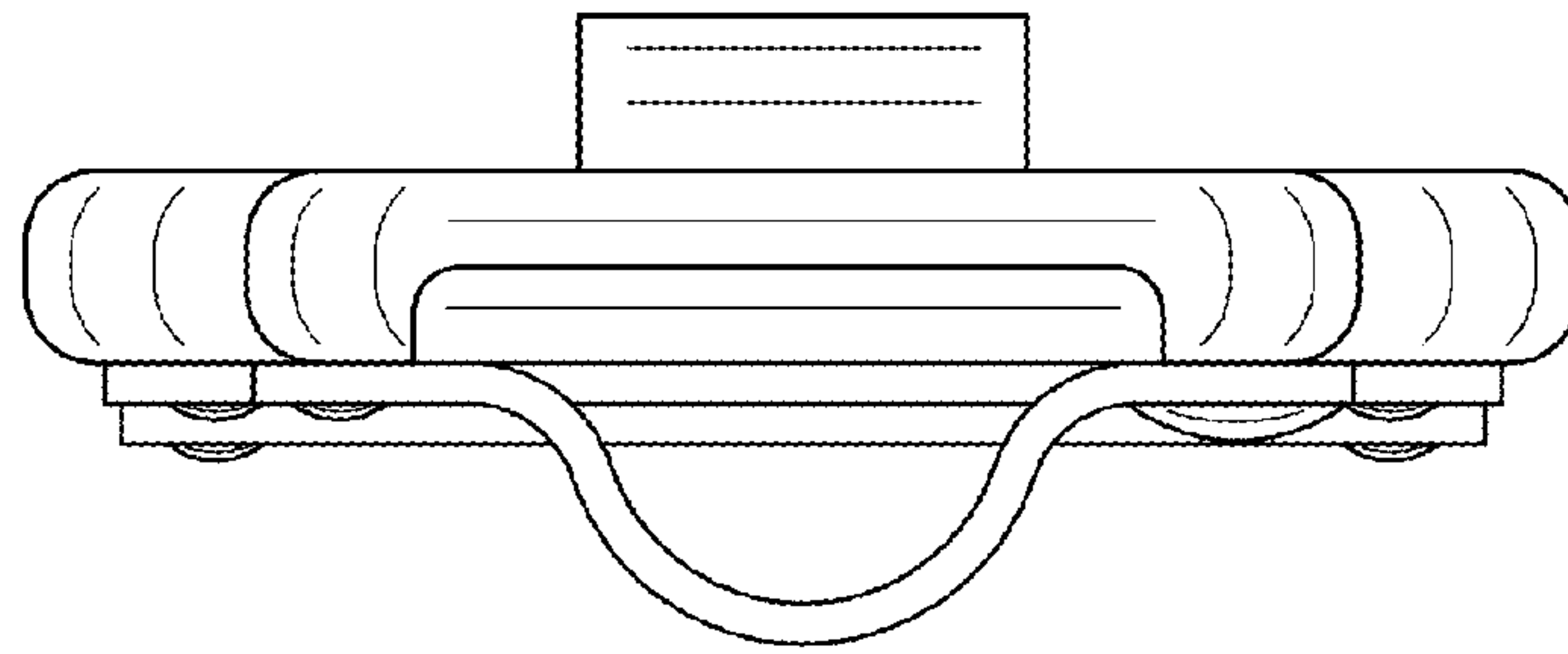


FIG. 5

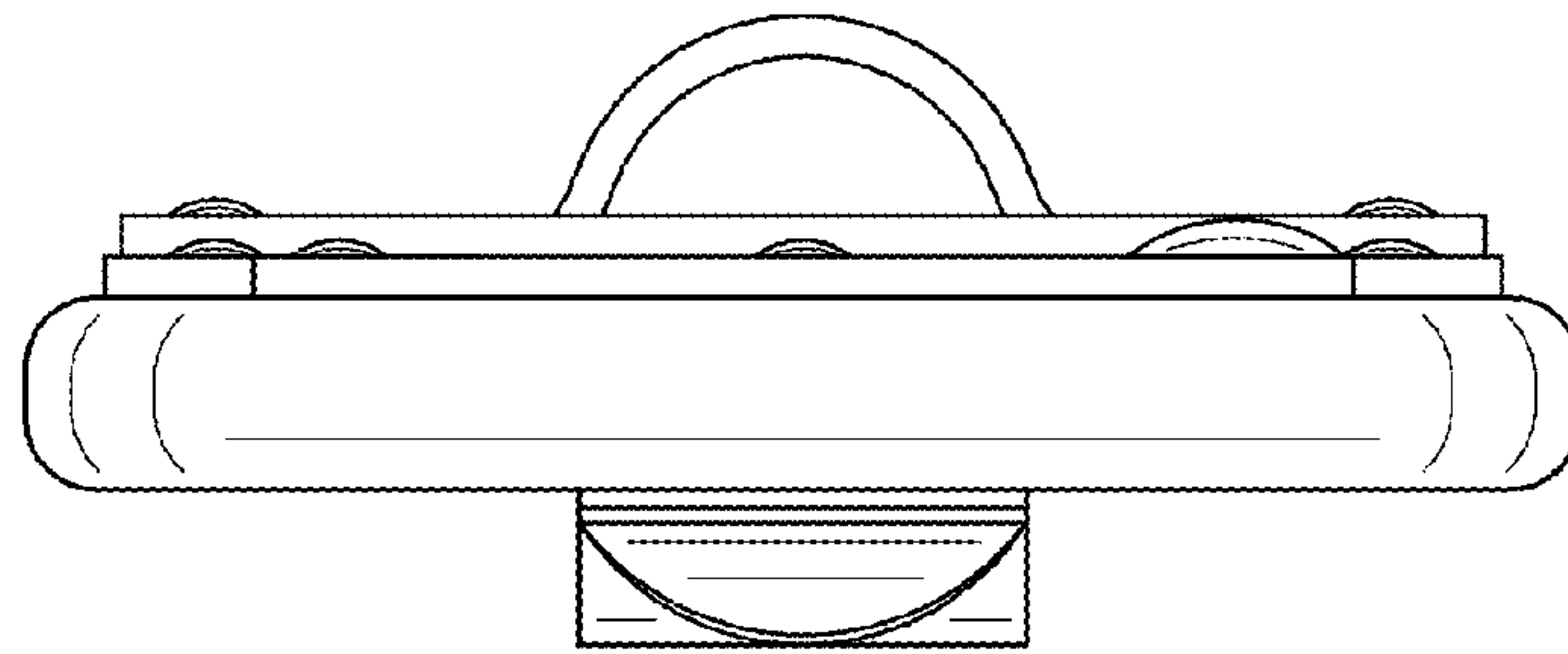


FIG. 6

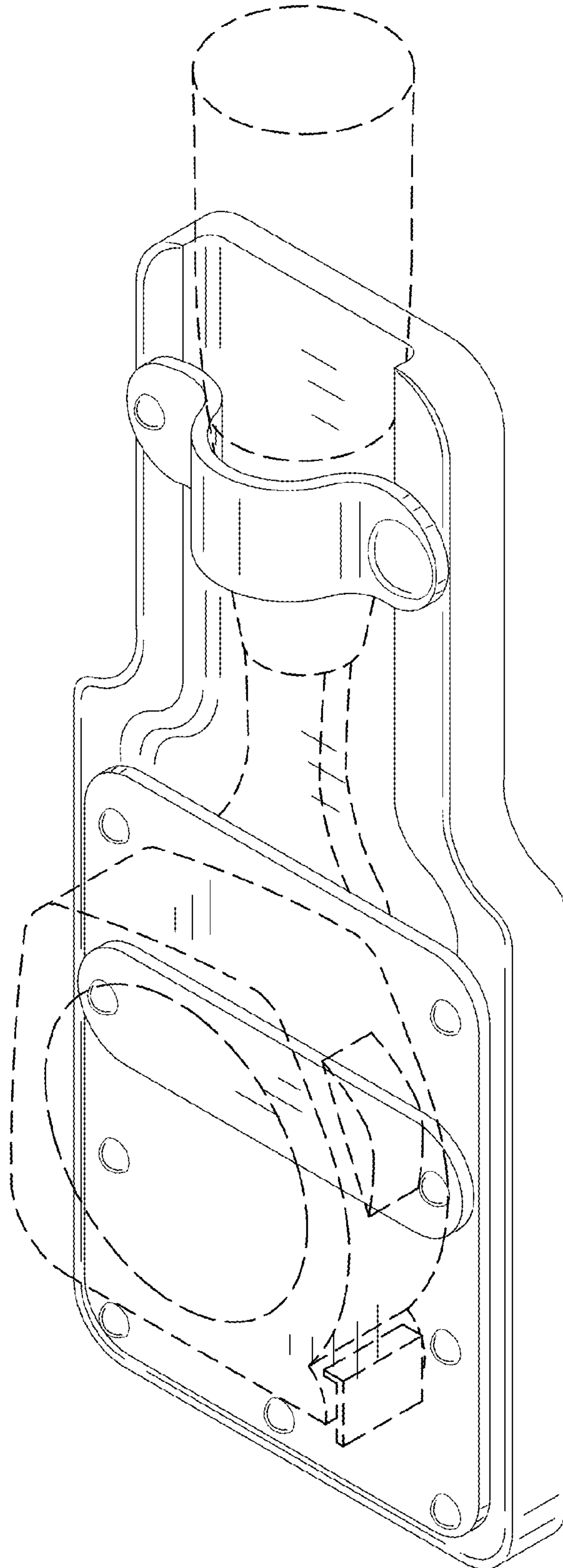


FIG. 7