

US00D764788S

(12) **United States Design Patent** (10) **Patent No.:** **US D764,788 S**
Beard et al. (45) **Date of Patent:** **** Aug. 30, 2016**

(54) **HOLSTER FOR A MAGAZINE FOR A HANDGUN**
(71) Applicant: **N82 Tactical, Inc.**, Lexington, NC (US)
(72) Inventors: **Nathan Beard**, Lexington, NC (US);
Nathan B. Johnson, Lexington, NC (US)
(73) Assignee: **N82 Tactical, Inc.**, Lexington, NC (US)
(**) Term: **14 Years**
(21) Appl. No.: **29/515,882**
(22) Filed: **Jan. 28, 2015**
(51) **LOC (10) Cl.** **03-01**
(52) **U.S. Cl.**
USPC **D3/222**
(58) **Field of Classification Search**
USPC D3/222-223, 225, 230; 224/183,
224/192-193, 198, 238-239, 240-241,
224/243-244, 587, 911-912, 931
CPC F41C 33/0209; F41C 33/0236; F41C
33/0263; F42B 39/02; A45F 5/021
See application file for complete search history.

(56) **References Cited**

U.S. PATENT DOCUMENTS

2,576,231 A	11/1951	Lawson, Jr. et al.	
3,289,903 A	12/1966	Taormina	
3,583,612 A	6/1971	Paris	224/2.2
3,731,858 A	5/1973	Baker	224/2 B
D237,611 S *	11/1975	Minneman	D3/225
3,942,692 A	3/1976	Chica	224/2 B
4,022,361 A	5/1977	Devlin	224/2 B
4,062,481 A	12/1977	Clark	224/2 B
D286,315 S *	10/1986	Gregory	D3/225
4,667,374 A	5/1987	Bianchi	24/3 J
4,718,585 A	1/1988	Atkins, Sr.	224/238
4,785,983 A	11/1988	DeSantis	224/206
4,898,310 A	2/1990	Remington	224/238

5,054,671 A	10/1991	Else	224/196
D335,221 S	5/1993	Nichols	D3/101
5,265,781 A	11/1993	Nichols	224/198
5,419,474 A	5/1995	Marx et al.	224/244
5,570,827 A	11/1996	Wiesner	224/587
D392,458 S	3/1998	Batts	D3/222
D410,331 S *	6/1999	Hamilton	D3/221
6,050,465 A	4/2000	Nelson et al.	224/243
6,089,432 A	7/2000	Gage et al.	224/587
6,092,703 A	7/2000	Johnson	224/198
6,264,079 B1	7/2001	Skaggs	224/193
6,398,089 B1	6/2002	Har-Shen	224/192
6,571,997 B2	6/2003	Dedrick	224/183
6,691,906 B2	2/2004	Cragg	224/238
6,814,270 B2	11/2004	Mason	224/587
7,258,259 B1	8/2007	Owens	224/193
7,314,152 B1	1/2008	Garrett	224/192
D574,147 S *	8/2008	Zusman	D3/222
D589,251 S	3/2009	Har Shen	D3/222

(Continued)

Primary Examiner — Catheri Oliver-Garcia

(74) *Attorney, Agent, or Firm* — MacCord Mason PLLC

(57) **CLAIM**

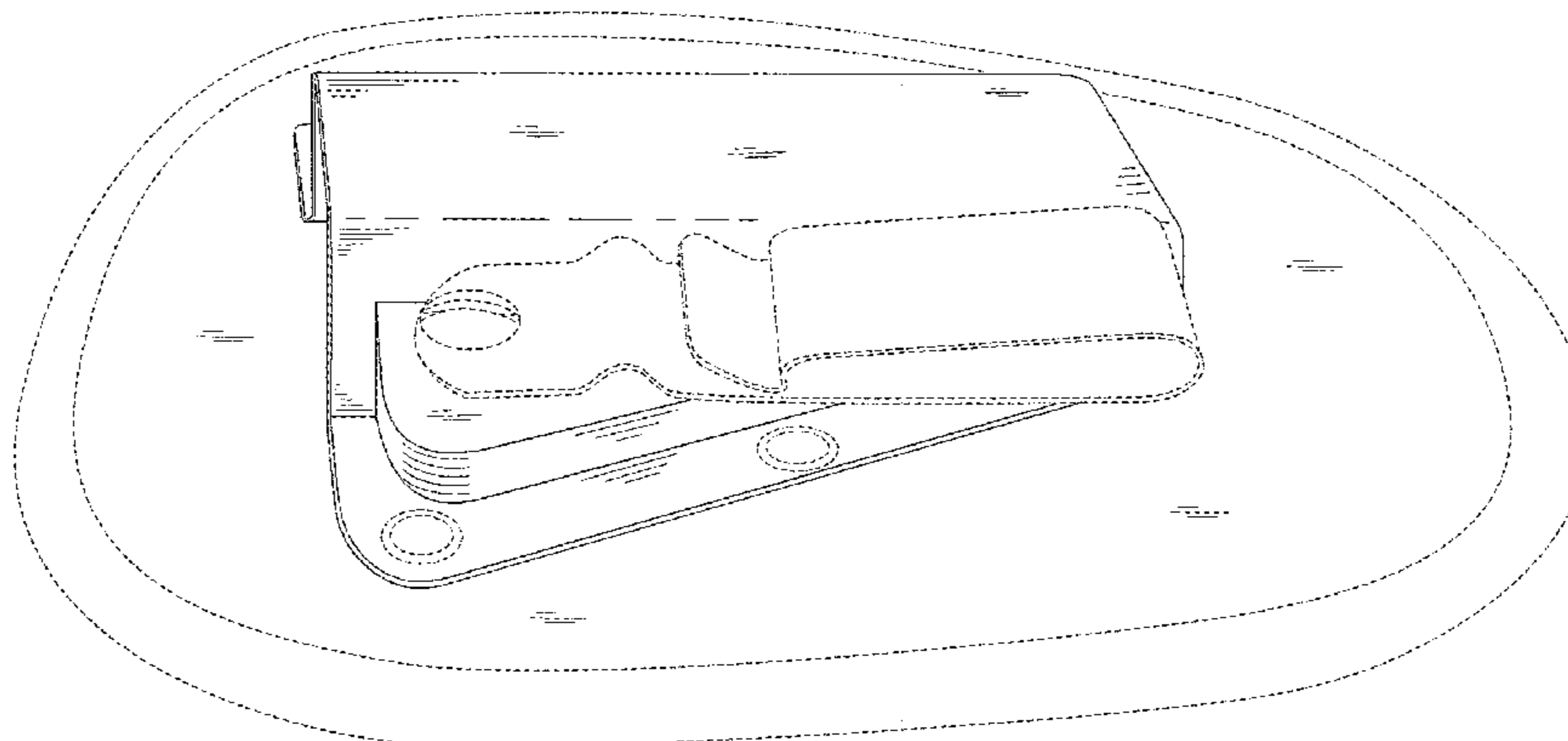
The ornamental design for a holster for a magazine for a handgun, as shown and described.

DESCRIPTION

FIG. 1 is a side perspective view of a holster for a magazine for a handgun showing our new design;
FIG. 2 is a front view thereof;
FIG. 3 is a right side view thereof;
FIG. 4 is a left side view thereof;
FIG. 5 is a top view thereof;
FIG. 6 is a bottom view; and
FIG. 7 is a side perspective view thereof; and,
FIG. 8 is another side perspective view of the holster of FIG. 1.

The rear is plain and unadorned.
The objects shown in dotted lines depict environment and form no part of the claimed design.

1 Claim, 8 Drawing Sheets



US D764,788 S

Page 2

(56)

References Cited

U.S. PATENT DOCUMENTS

D601,339 S *	10/2009	Zusman	D3/222	D681,943 S	5/2013	Beard et al.	D3/222
D603,159 S	11/2009	Zusman	D3/222	8,672,201 B2	3/2014	Craighead	224/587
D620,705 S	8/2010	Beard et al.	D3/222	2005/0279789 A1	12/2005	Lowe	224/244
8,104,656 B1 *	1/2012	George	A45F 5/021 224/239	2006/0219743 A1	10/2006	Gallagher	224/192
					2010/0181353 A1	7/2010	Craighead	224/193
					2010/0270349 A1	10/2010	Craighead	224/587

* cited by examiner

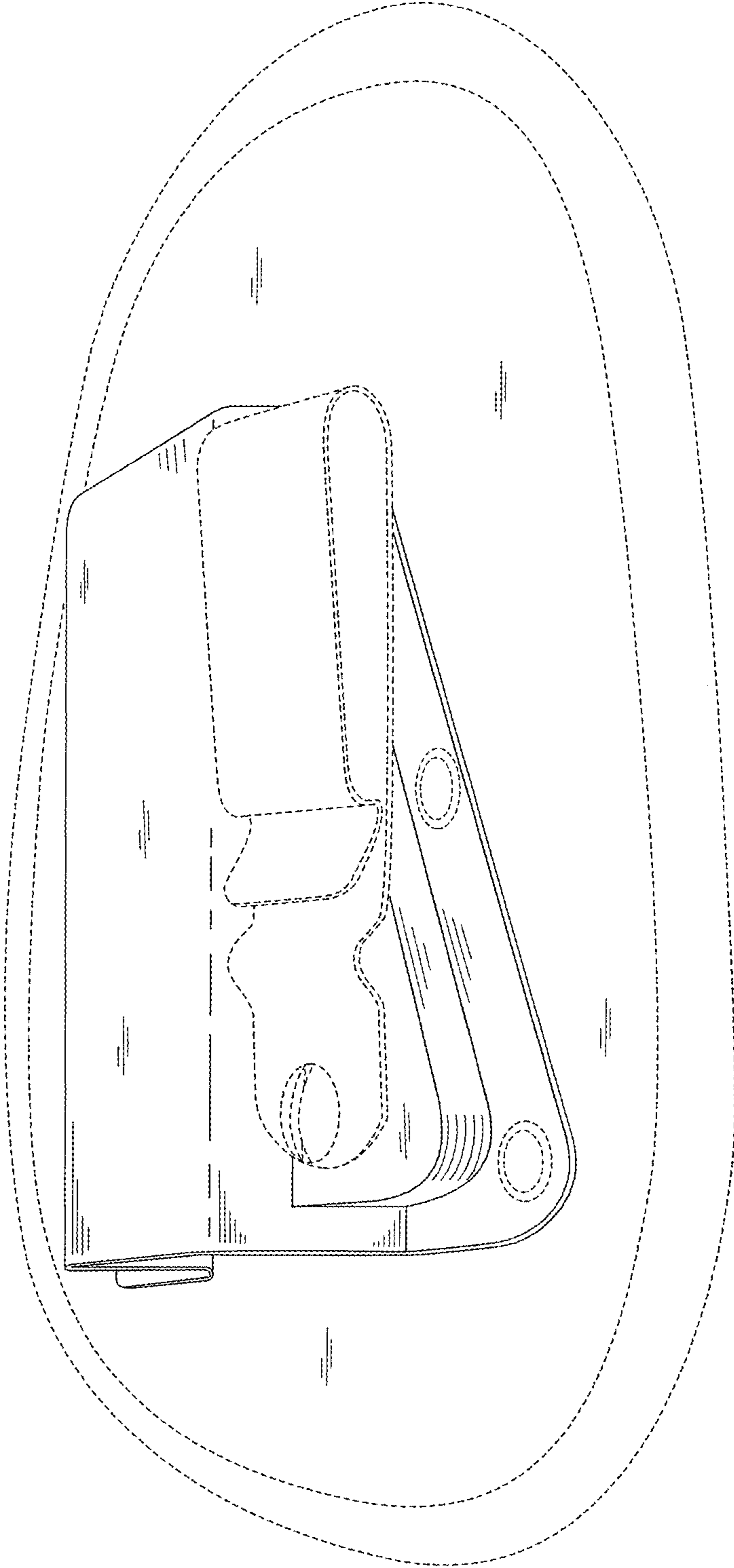


FIG. 1

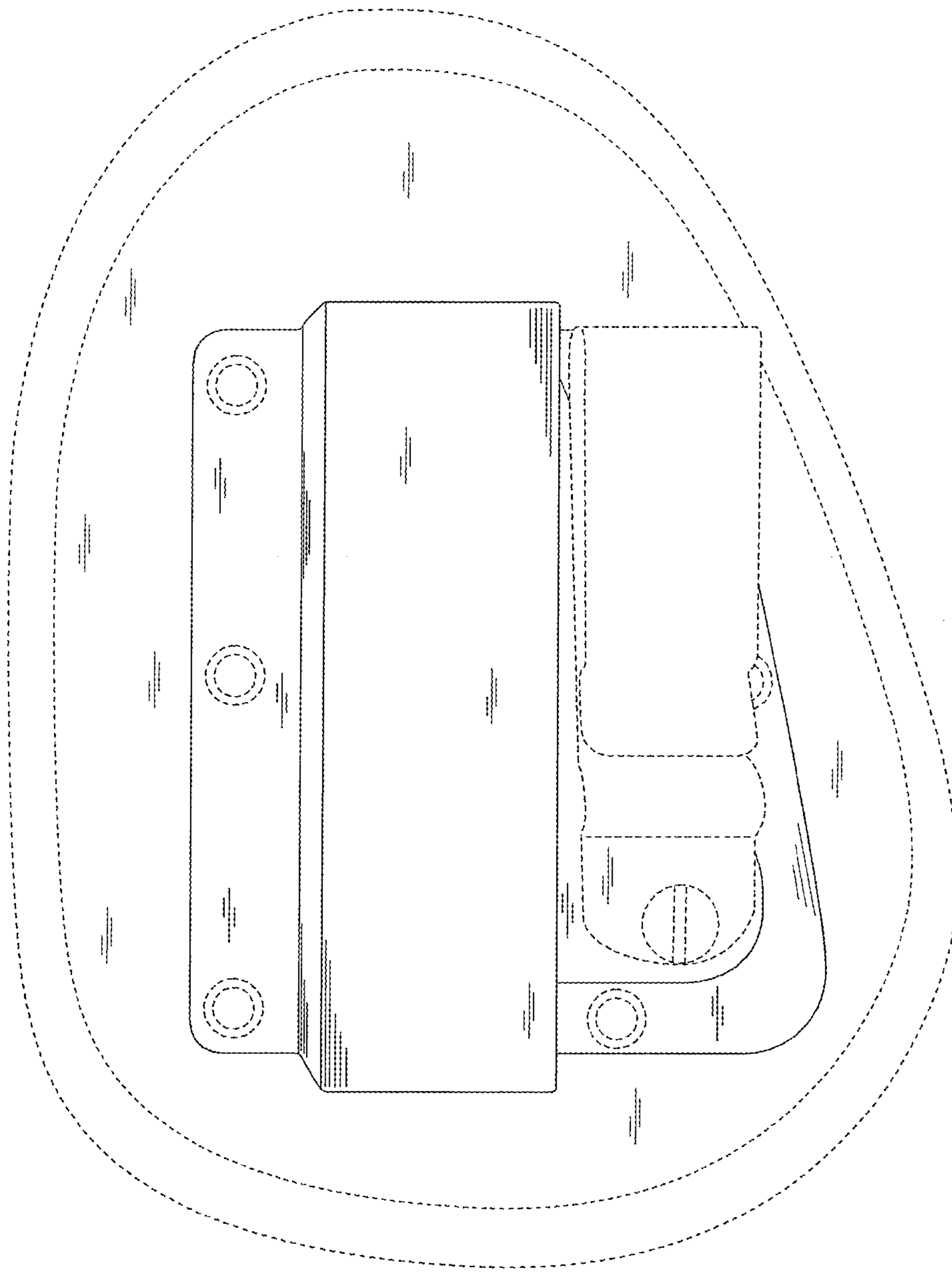


FIG. 2

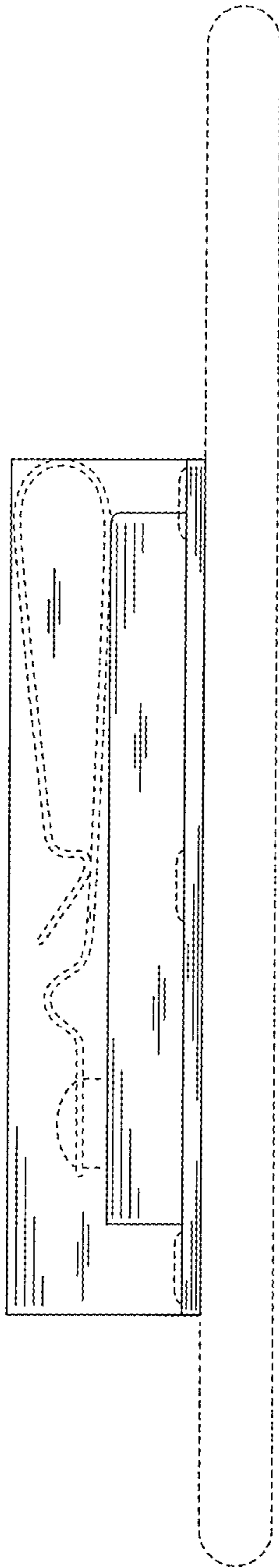


FIG. 3

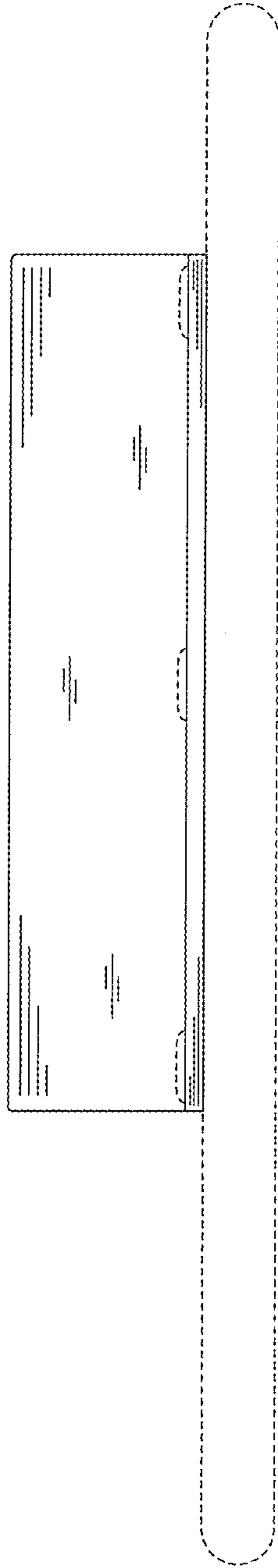


FIG. 4

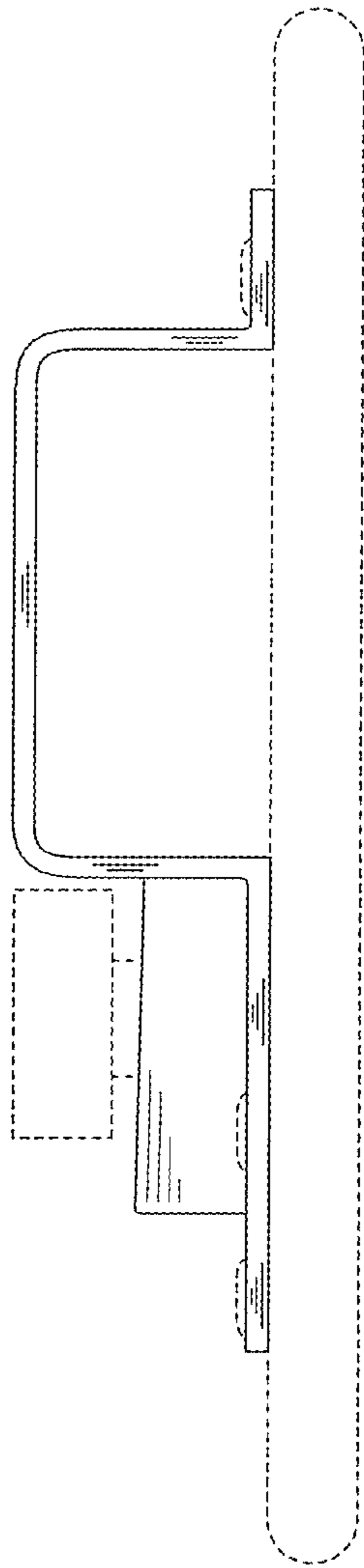


FIG. 5

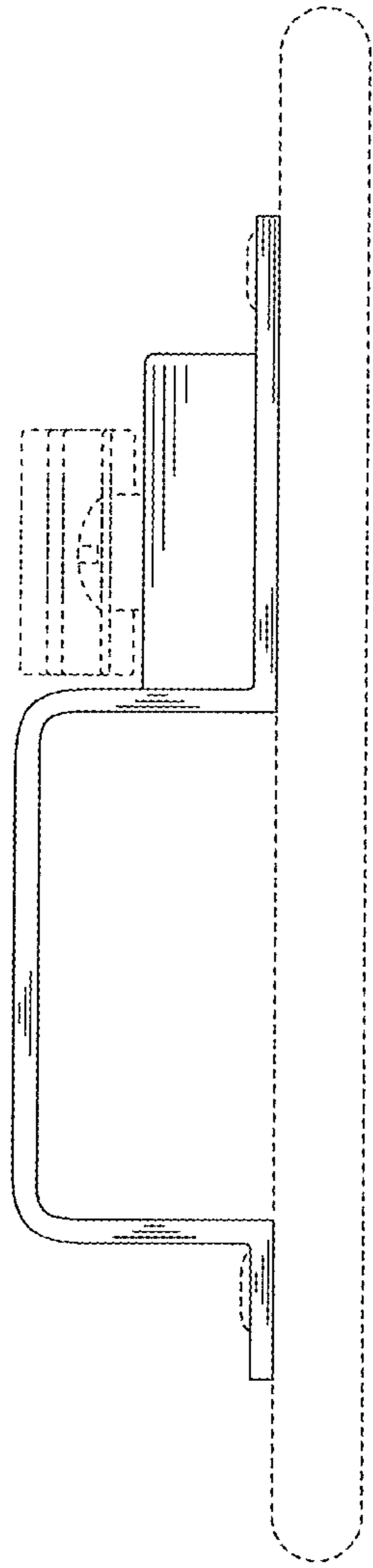


FIG. 6

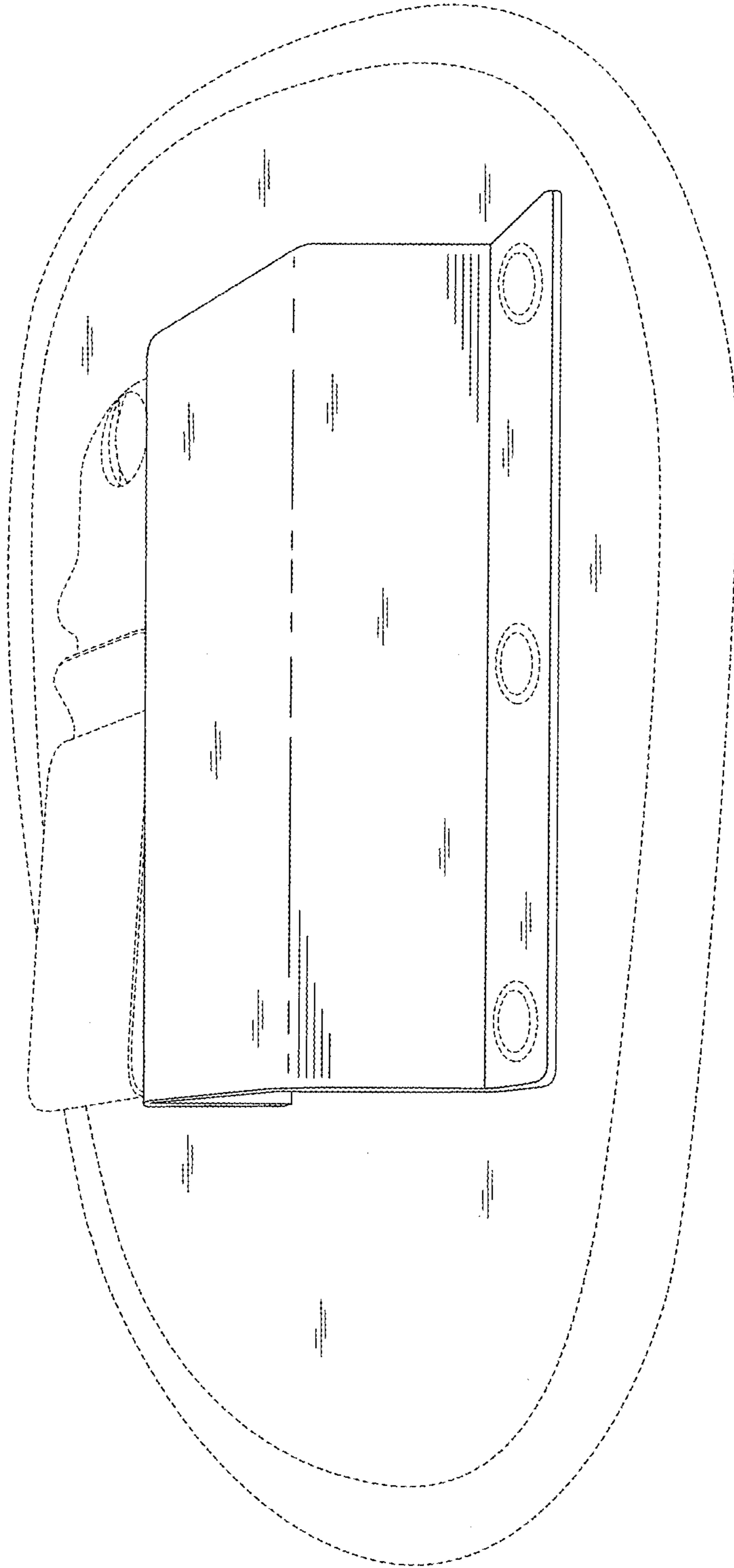


FIG. 7

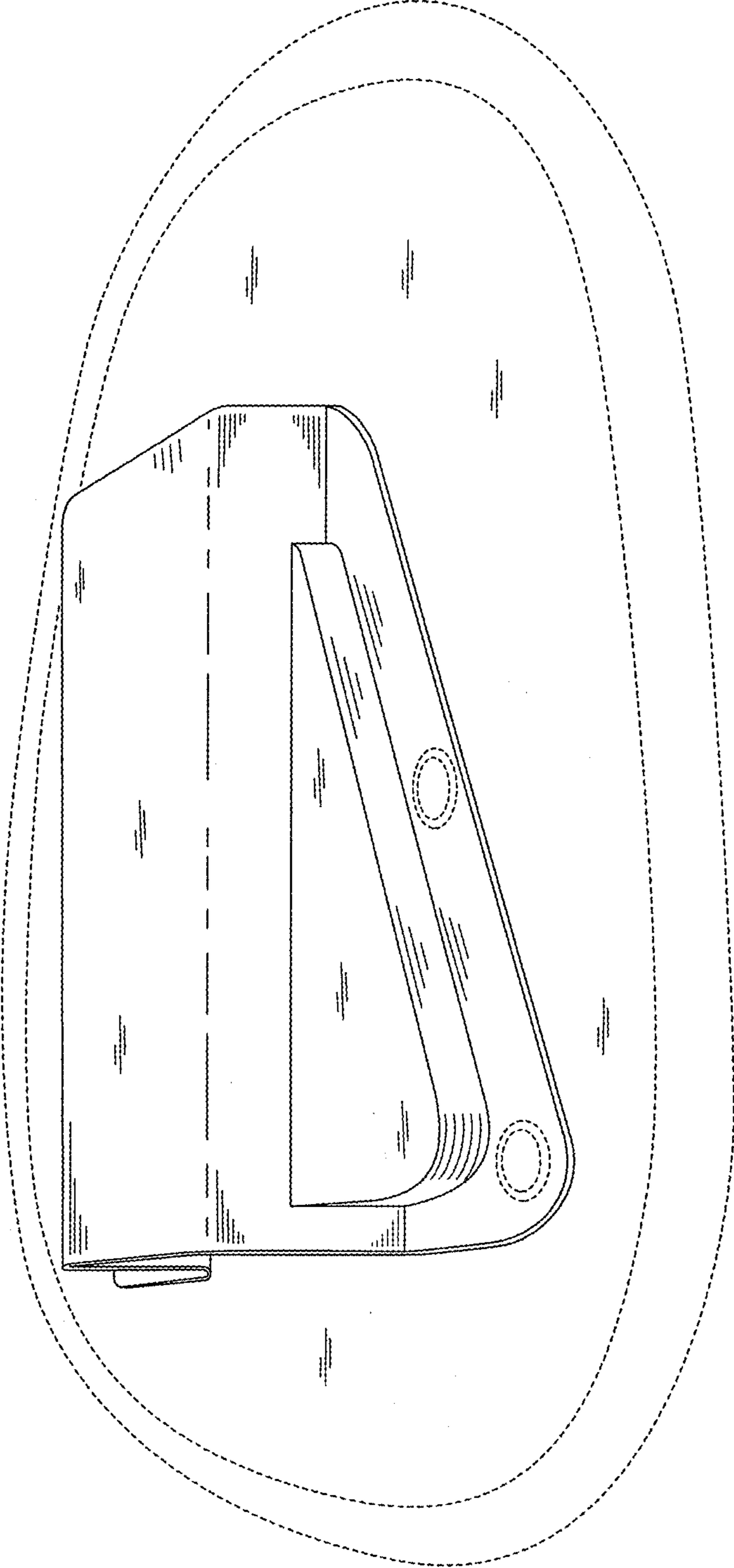


FIG. 8