



US00D764780S

(12) **United States Design Patent**
Strother

(10) **Patent No.:** **US D764,780 S**

(45) **Date of Patent:** **** Aug. 30, 2016**

(54) **FOOTWEAR TREAD**

(71) Applicant: **TBL Licensing LLC**, Wilmington, DE (US)

(72) Inventor: **Brian Strother**, Dover, NH (US)

(73) Assignee: **TBL Licensing LLC**, Stratham, NH (US)

(**) Term: **14 Years**

(21) Appl. No.: **29/485,620**

(22) Filed: **Mar. 20, 2014**

(51) **LOC (10) Cl.** **02-04**

(52) **U.S. Cl.**
USPC **D2/959**; D2/951; D2/957

(58) **Field of Classification Search**
USPC D2/902, 906, 908, 916, 918, 925,
D2/946-962, 977; 36/3 B, 22 R, 24.5, 25 R,
36/28, 32 R, 34 R, 59 C, 67 A, 103;
D12/511, 543, 578
CPC A43B 13/00; A43B 13/02; A43B 13/023;
A43B 13/026; A43B 13/04; A43B 13/08;
A43B 13/10; A43B 13/12; A43B 13/14;
A43B 13/141; A43B 13/143; A43B 13/16;
A43B 13/18; A43B 13/181; A43B 13/187;
A43B 13/189; A43B 13/20; A43B 13/22;
A43B 13/223; A43B 13/24; A43B 13/28;
A43B 13/30; A43B 13/32; A43B 13/34;
A43B 13/36

See application file for complete search history.

(56) **References Cited**

U.S. PATENT DOCUMENTS

D80,433 S *	2/1930	Chrisfield	D2/955
D197,505 S *	2/1964	Hingham	D2/955
D296,724 S *	7/1988	Peterson	D2/957
D354,845 S *	1/1995	Bramani	D2/957
D355,754 S *	2/1995	Brandon	D2/951
D373,897 S *	9/1996	Takatani et al.	D2/957
5,806,209 A *	9/1998	Crowley et al.	36/28
D402,095 S *	12/1998	Cretinon	D2/957

(Continued)

Primary Examiner — T. Chase Nelson

(74) *Attorney, Agent, or Firm* — Lerner, David, Littenberg, Krumholz & Mentlik, LLP

(57) **CLAIM**

The ornamental design for a footwear tread, as shown and described.

DESCRIPTION

FIG. 1 is a perspective view of the footwear tread in accordance with a first embodiment of the ornamental design;

FIG. 2 is a top elevational view of the footwear tread of the first embodiment;

FIG. 3 is a left side elevational view of the footwear tread of the first embodiment;

FIG. 4 is a right side elevational view of the footwear tread of the first embodiment;

FIG. 5 is a rear elevational view of the footwear tread of the first embodiment;

FIG. 6 is a front elevational view of the footwear tread of the first embodiment;

FIG. 7 is a perspective view of the footwear tread in accordance with a second embodiment of the ornamental design;

FIG. 8 is a top elevational view of the footwear tread of the second embodiment;

FIG. 9 is a left side elevational view of the footwear tread of the second embodiment;

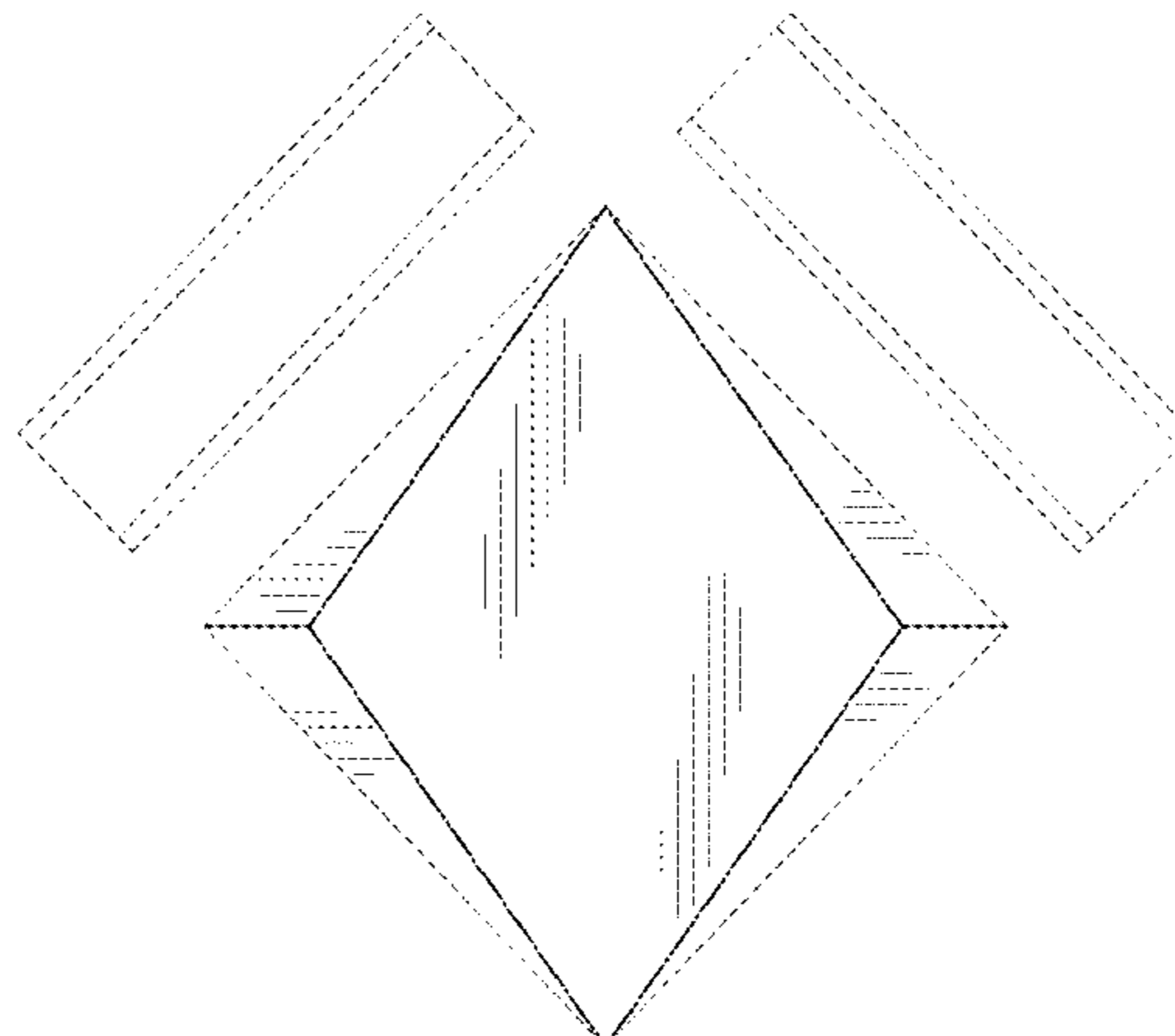
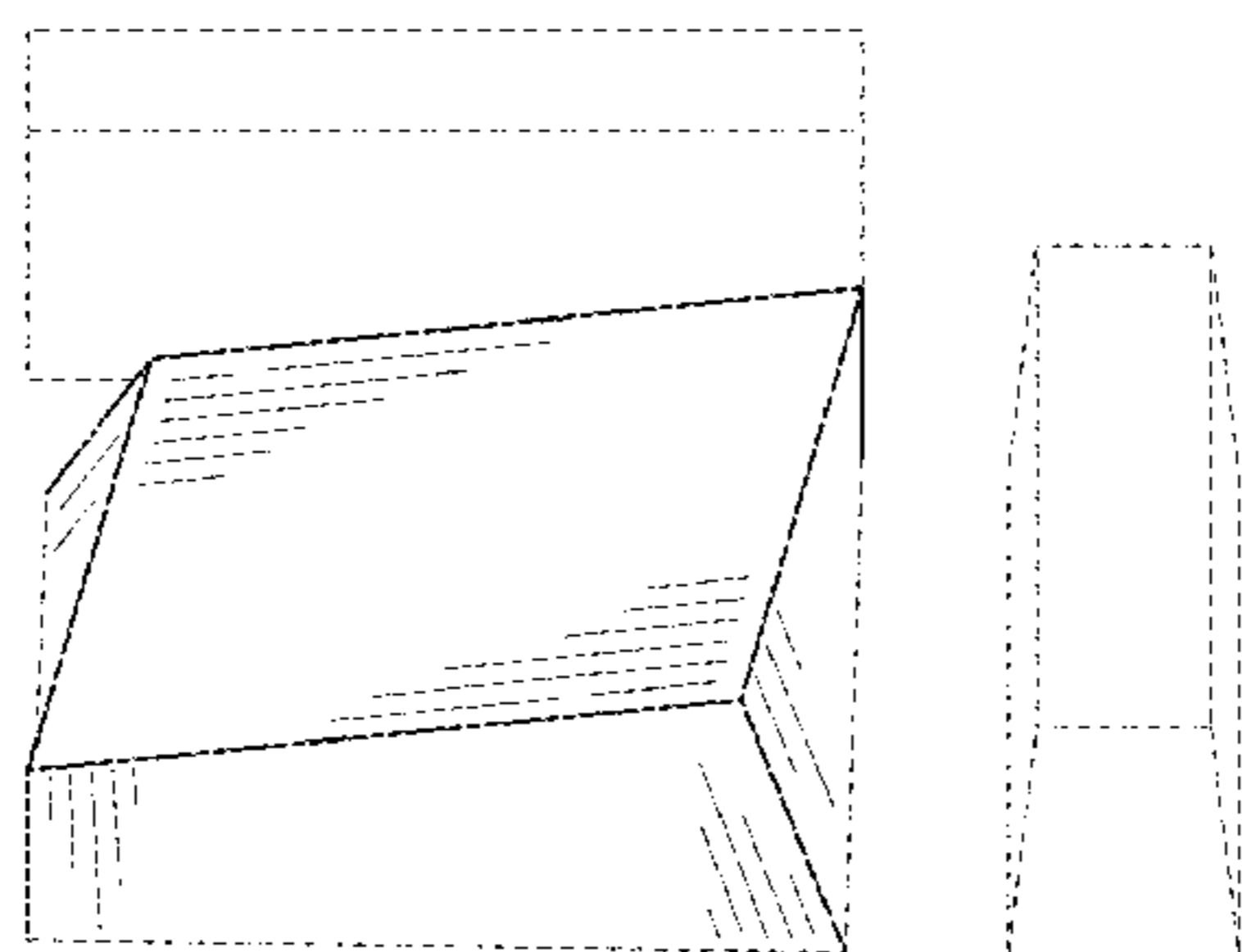
FIG. 10 is a right side elevational view of the footwear tread of the second embodiment;

FIG. 11 is a rear elevational view of the footwear tread of the second embodiment; and,

FIG. 12 is a front elevational view of the footwear tread of the second embodiment.

Broken lines are environmental only and form no part of the claimed design. Broken lines adjacent shaded areas of the design represent the bounds of the claimed design and are not themselves a part of the claimed design.

1 Claim, 4 Drawing Sheets



(56)

References Cited

U.S. PATENT DOCUMENTS

D405,597 S *	2/1999	Carlson	D2/951	D566,938 S *	4/2008	Matis et al.	D2/957
D406,691 S *	3/1999	McDowell	D2/951	D570,582 S *	6/2008	Roy	D2/953
D407,193 S *	3/1999	Doxey	D2/951	D570,584 S *	6/2008	Gay	D2/957
D460,608 S *	7/2002	Laberge et al.	D2/957	D574,583 S *	8/2008	St-Louis	D2/951
D476,740 S *	7/2003	De Carvalho	D24/124	D574,584 S *	8/2008	Earle	D2/951
D476,799 S *	7/2003	Fuerst	D2/952	D580,141 S *	11/2008	Banik	D2/951
D490,596 S *	6/2004	Belley et al.	D2/957	D595,036 S *	6/2009	Link	D2/951
D491,944 S *	6/2004	Lutnick	D14/396	D602,237 S *	10/2009	Roundhouse	D2/951
D499,536 S *	12/2004	Castleberry	D2/960	D604,933 S *	12/2009	Anderson	D2/951
D504,205 S *	4/2005	Andrews-Kramer	D2/953	D619,344 S *	7/2010	Favreau	D2/951
D507,398 S *	7/2005	Recchi	D2/951	D620,243 S *	7/2010	McClaskie	D2/957
D513,112 S *	12/2005	Le	D2/947	D620,692 S *	8/2010	McClaskie	D2/951
D515,291 S *	2/2006	Sonnergren	D2/953	D635,754 S *	4/2011	Mariman	D2/959
D524,520 S *	7/2006	Marvin	D2/954	D663,518 S *	7/2012	McClaskie	D2/957
D531,394 S *	11/2006	Bonnemere	D2/957	D664,343 S *	7/2012	McClaskie	D2/957
D547,038 S *	7/2007	Nakano	D2/957	D677,453 S *	3/2013	Sakai	D2/959
D553,334 S *	10/2007	Belley	D2/954	D707,933 S *	7/2014	McCourt	D2/957
D556,987 S *	12/2007	Nakano	D2/953	D736,509 S *	8/2015	Bikowski	D2/958
D558,434 S *	1/2008	Roth	D2/953	2003/0172548 A1 *	9/2003	Fuerst	36/28
D561,439 S *	2/2008	Schoenborn et al.	D2/957	2005/0072026 A1 *	4/2005	Sink	36/127
					2012/0000095 A1 *	1/2012	Torrance	36/132
					2012/0110876 A1 *	5/2012	Lubart	36/59 C
					2015/0223560 A1 *	8/2015	Wawrousek et al.		

* cited by examiner

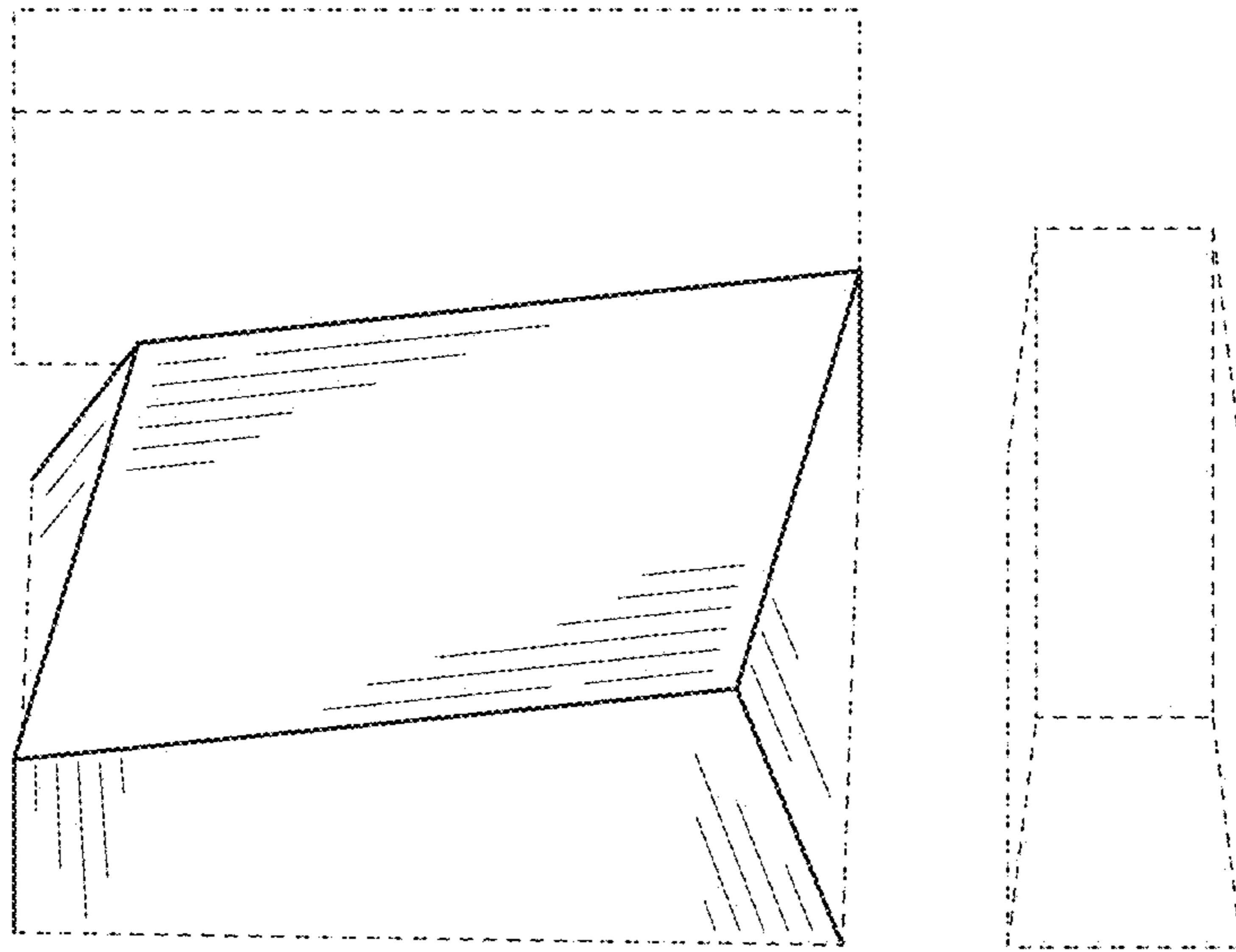


FIG. 1

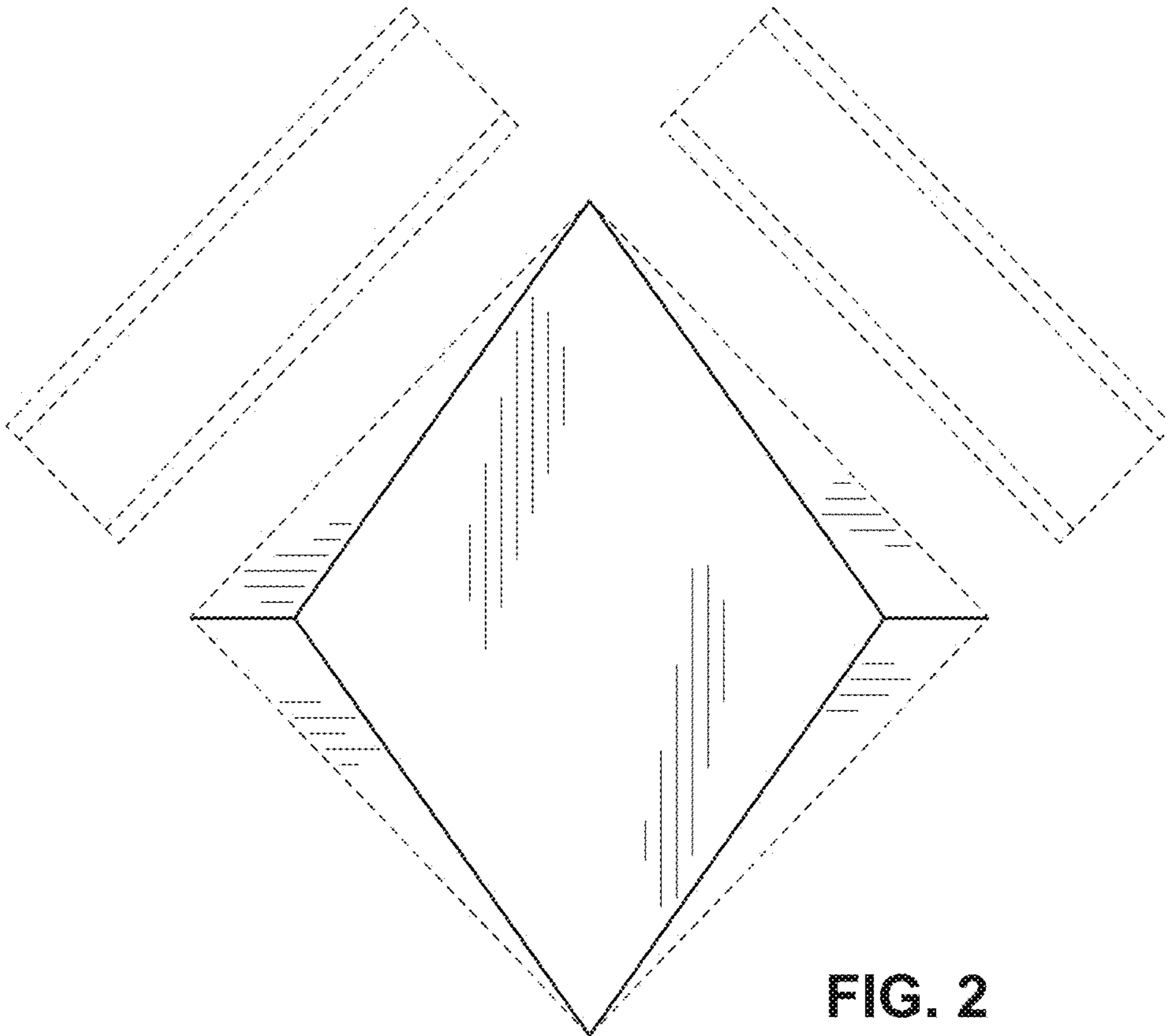


FIG. 2

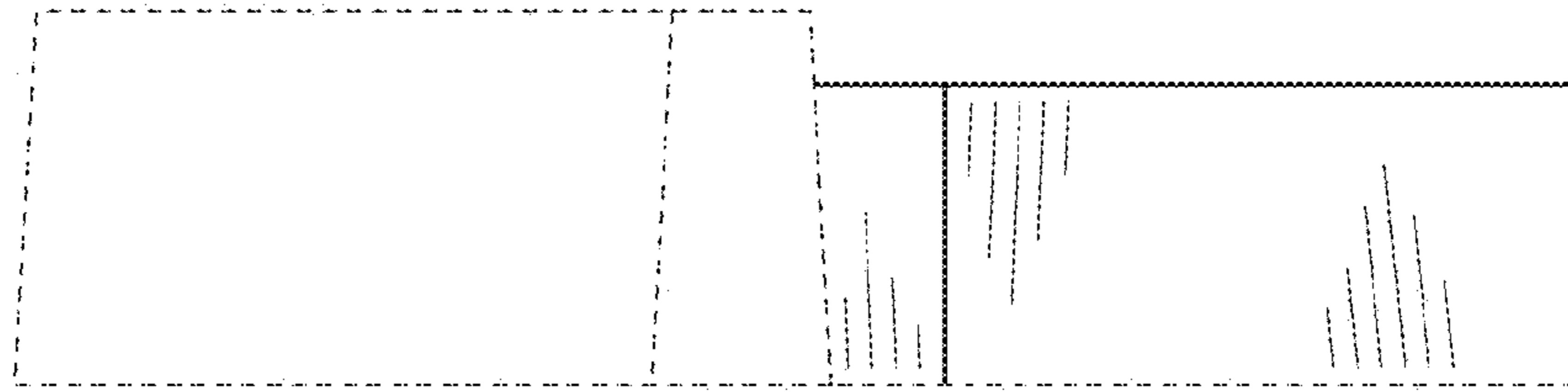


FIG. 3

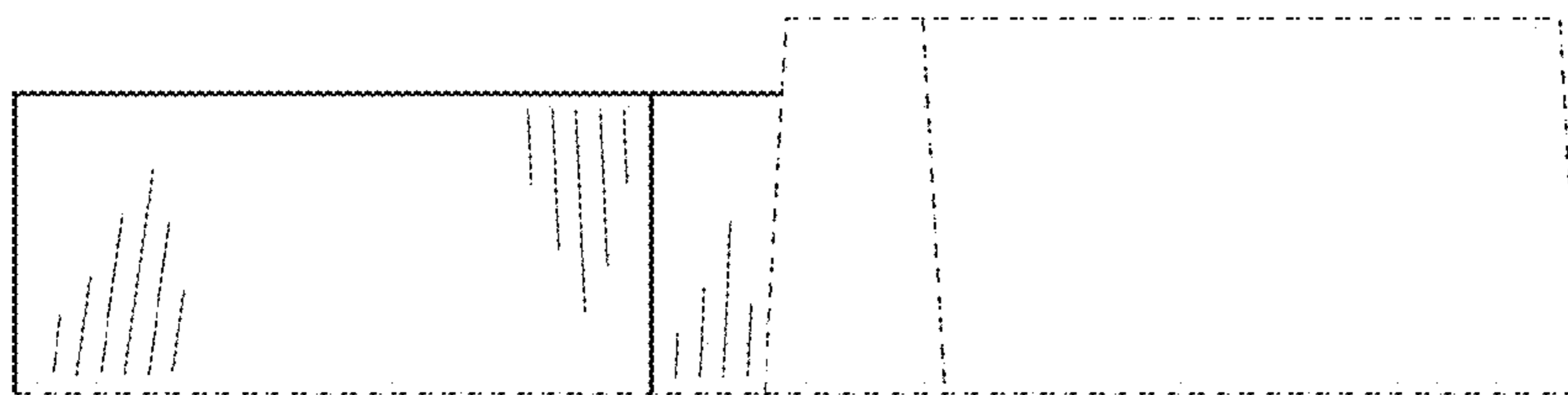


FIG. 4

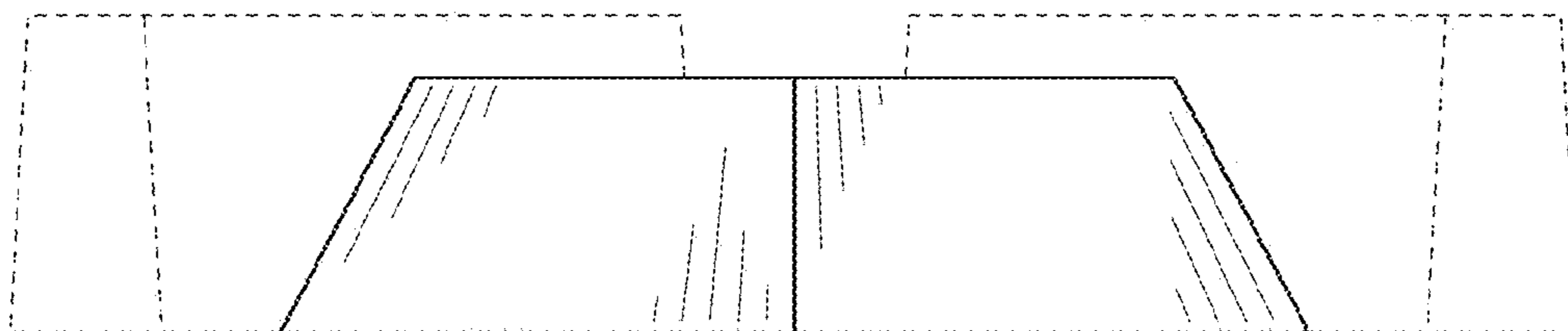


FIG. 5

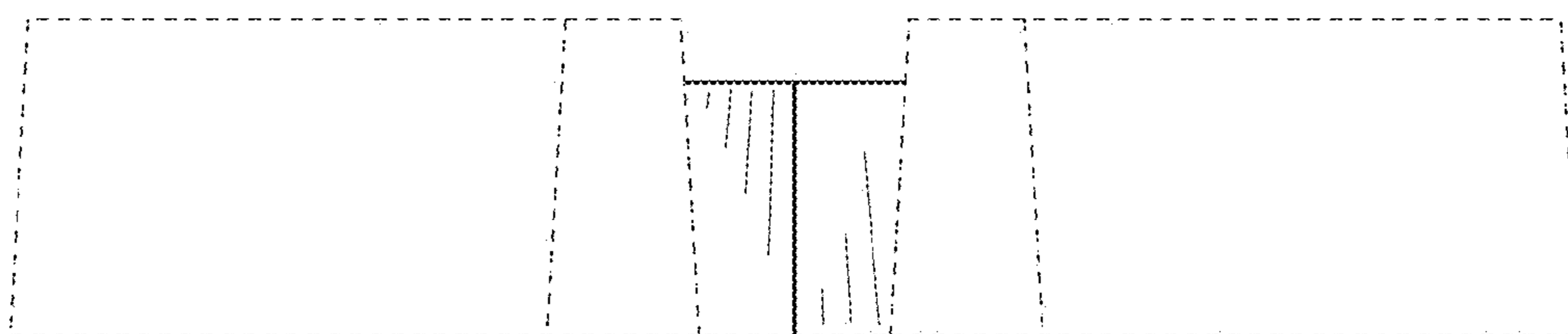


FIG. 6

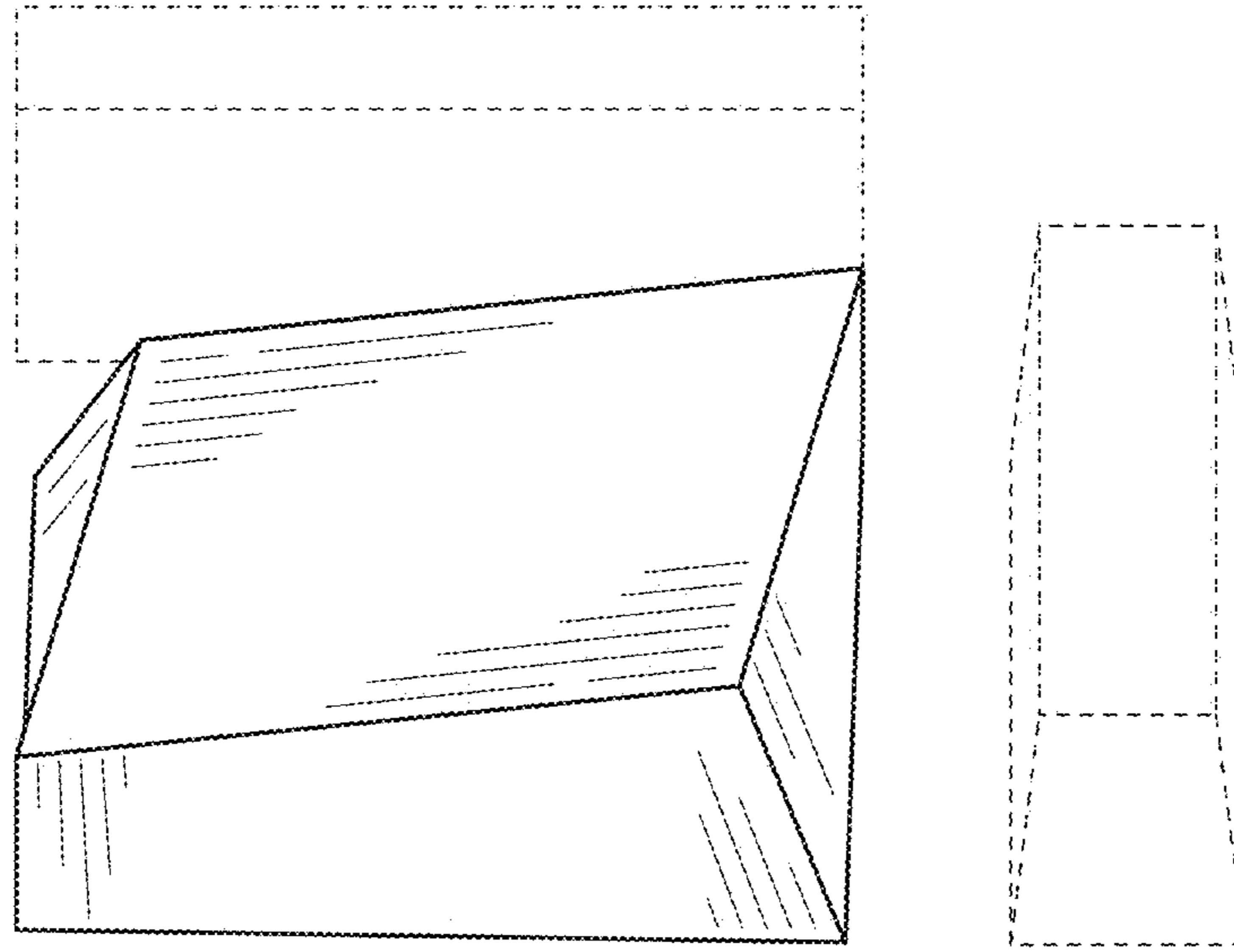


FIG. 7

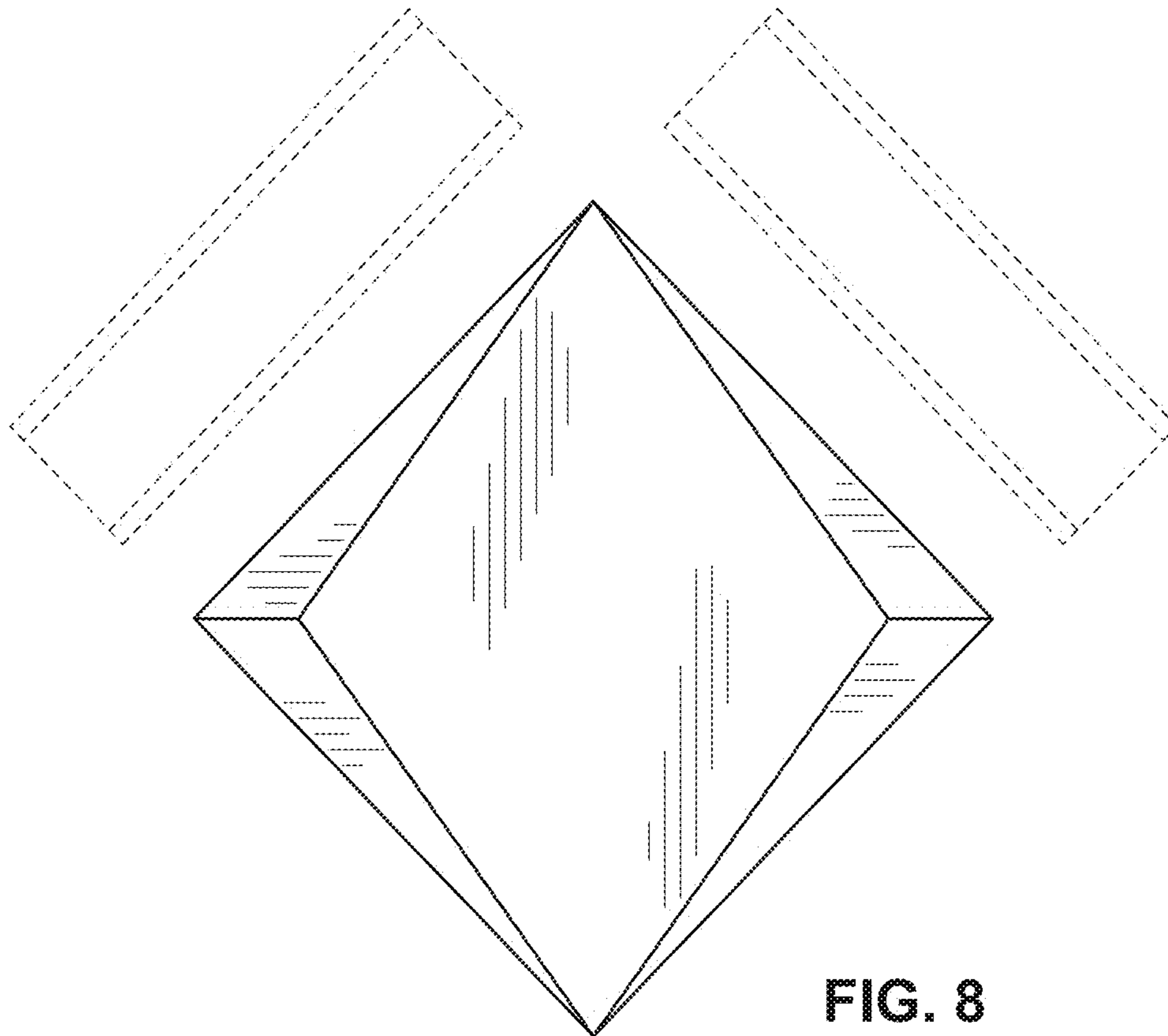


FIG. 8

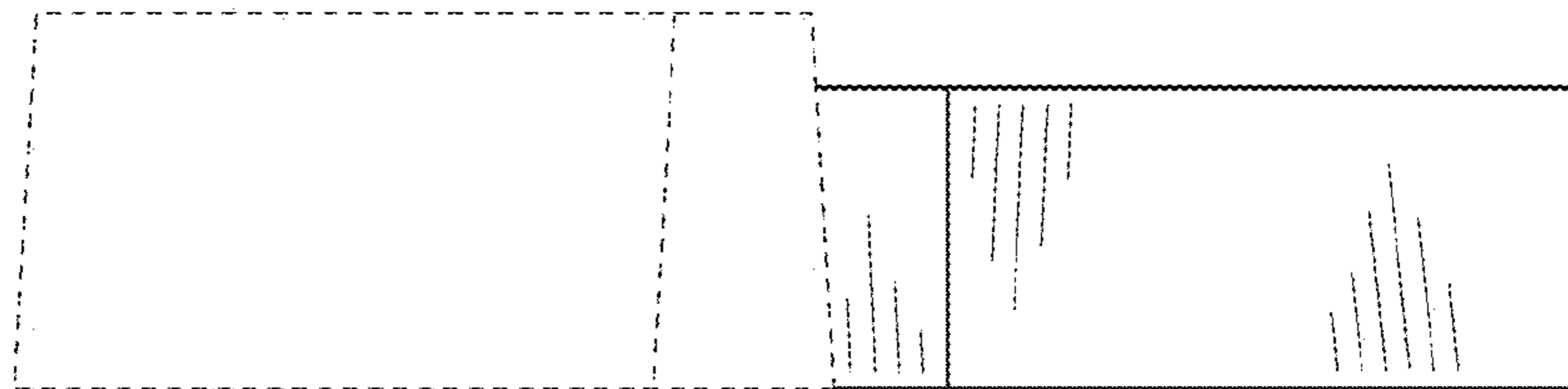


FIG. 9

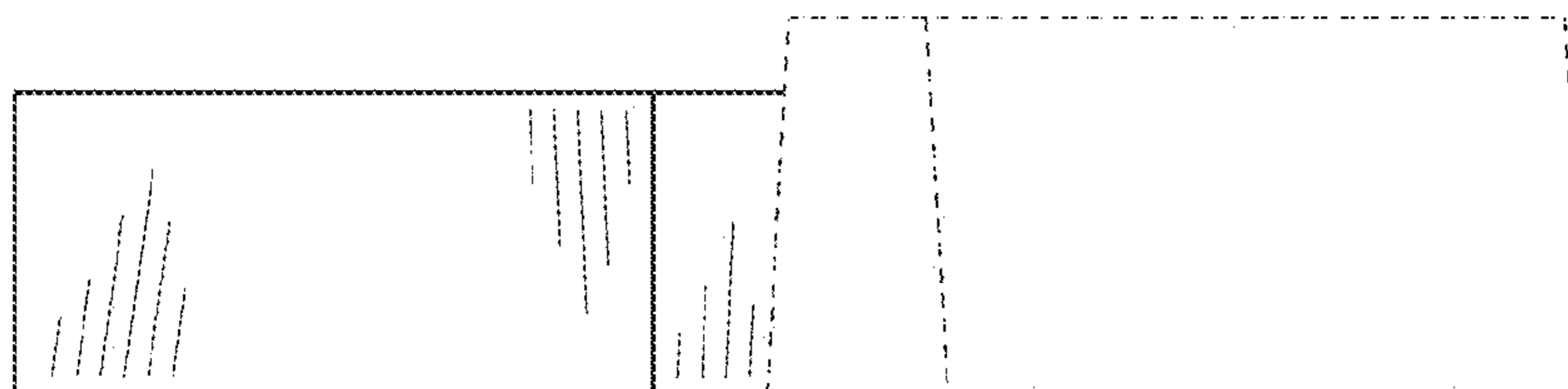


FIG. 10

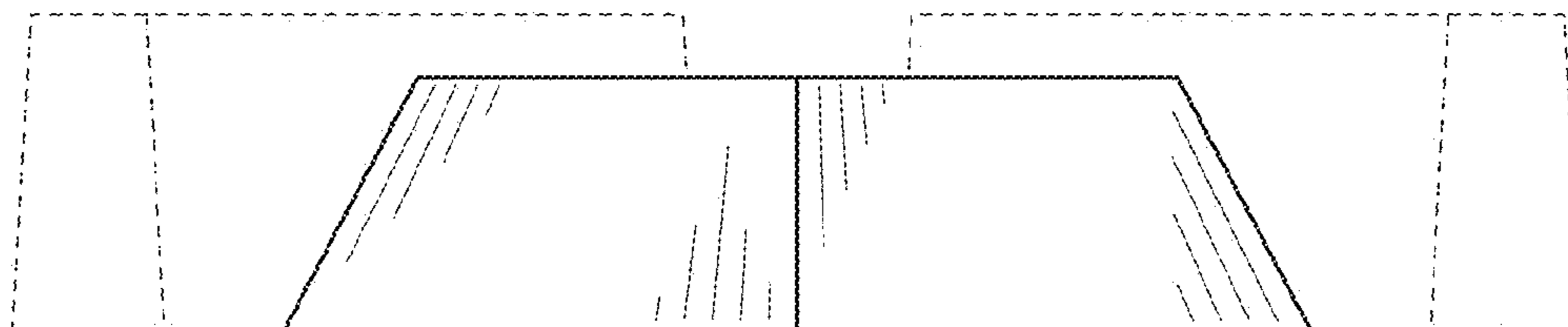


FIG. 11

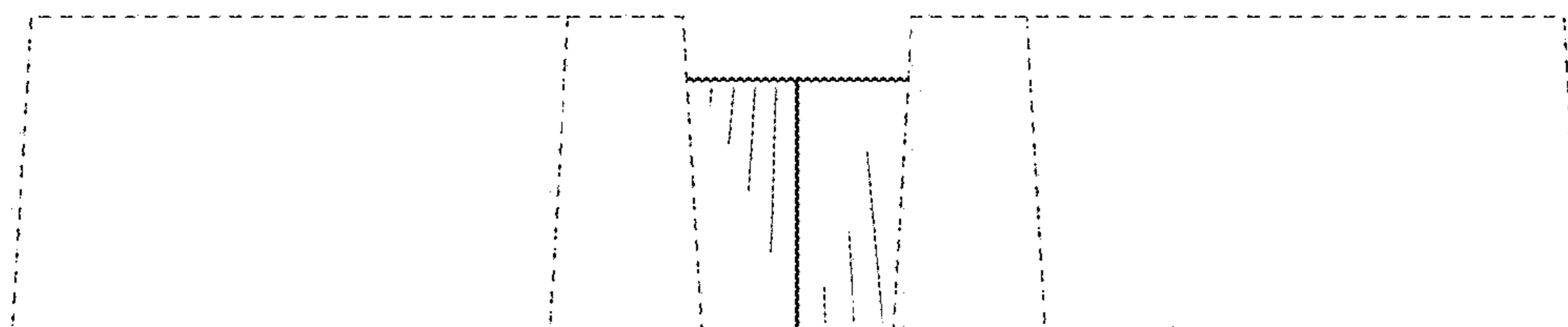


FIG. 12