



US00D764770S

(12) **United States Design Patent**  
**Zenoff**

(10) **Patent No.:** **US D764,770 S**  
(45) **Date of Patent:** **\*\* Aug. 30, 2016**

(54) **CAP WITH A REAR PANEL ELECTRONIC DISPLAY SCREEN**

(71) Applicant: **Andrew Zenoff**, San Anselmo, CA (US)

(72) Inventor: **Andrew Zenoff**, San Anselmo, CA (US)

(73) Assignee: **BEAM AUTHENTIC, LLC**, San Anselmo, CA (US)

(\*\*) Term: **14 Years**

(21) Appl. No.: **29/500,384**

(22) Filed: **Aug. 25, 2014**

(51) **LOC (10) Cl.** ..... **02-03**

(52) **U.S. Cl.**  
USPC ..... **D2/882; D2/866**

(58) **Field of Classification Search**

USPC ..... D2/865, 866, 869, 871, 872, 873, 875, D2/876, 879, 882, 884, 885, 887, 893, D2/895; D6/300; D11/75, 86, 132, 140; D14/125, 126, 300, 341, 371, 374, 448, D14/450, 507; D21/386; D26/39; D29/102, D29/103, 104, 122

CPC ..... A42B 1/00; A42B 1/002; A42B 1/004; A42B 1/006; A42B 1/008; A42B 1/04; A42B 1/06; A42B 1/062; A42B 1/18; A42B 1/206; A42B 1/22; A42B 1/225; A42B 1/24; A42B 1/242; A42B 1/244; A42B 1/245; A42B 1/248; A42C 5/00; G02B 27/017; G02B 27/0172; G02B 2027/0174; G02B 23/125; G09F 21/02; G09F 2021/023

See application file for complete search history.

(56) **References Cited**

**U.S. PATENT DOCUMENTS**

65,871 A 6/1867 Browne  
168,063 A 9/1875 Taylor  
175,399 A 3/1876 Wheldon et al.

176,714 A 4/1876 Vanhon  
260,332 A 6/1882 Simonson  
740,330 A 9/1903 Stirewalt  
761,601 A 5/1904 Oliver  
D39,680 S 12/1908 Henby  
1,114,400 A 10/1914 Slotoroff  
1,190,427 A 7/1916 Kromer, Jr.  
1,196,823 A 9/1916 Suzuki  
1,215,311 A 2/1917 Miller  
1,222,528 A 4/1917 Cohen  
1,378,977 A 5/1921 Parmley  
D58,303 S 7/1921 Bartholomew

(Continued)

**FOREIGN PATENT DOCUMENTS**

CN 203327079 U 12/2013  
WO WO-2012061438 A2 5/2012  
WO WO-2014054211 A1 4/2014

**OTHER PUBLICATIONS**

U.S. Appl. No. 29/499,861, filed Aug. 19, 2014, Zenoff.  
(Continued)

*Primary Examiner* — Karen E. Eldridge Powers  
*Assistant Examiner* — Jasmine Mlinarcik  
(74) *Attorney, Agent, or Firm* — Wilson Sonsini Goodrich & Rosati

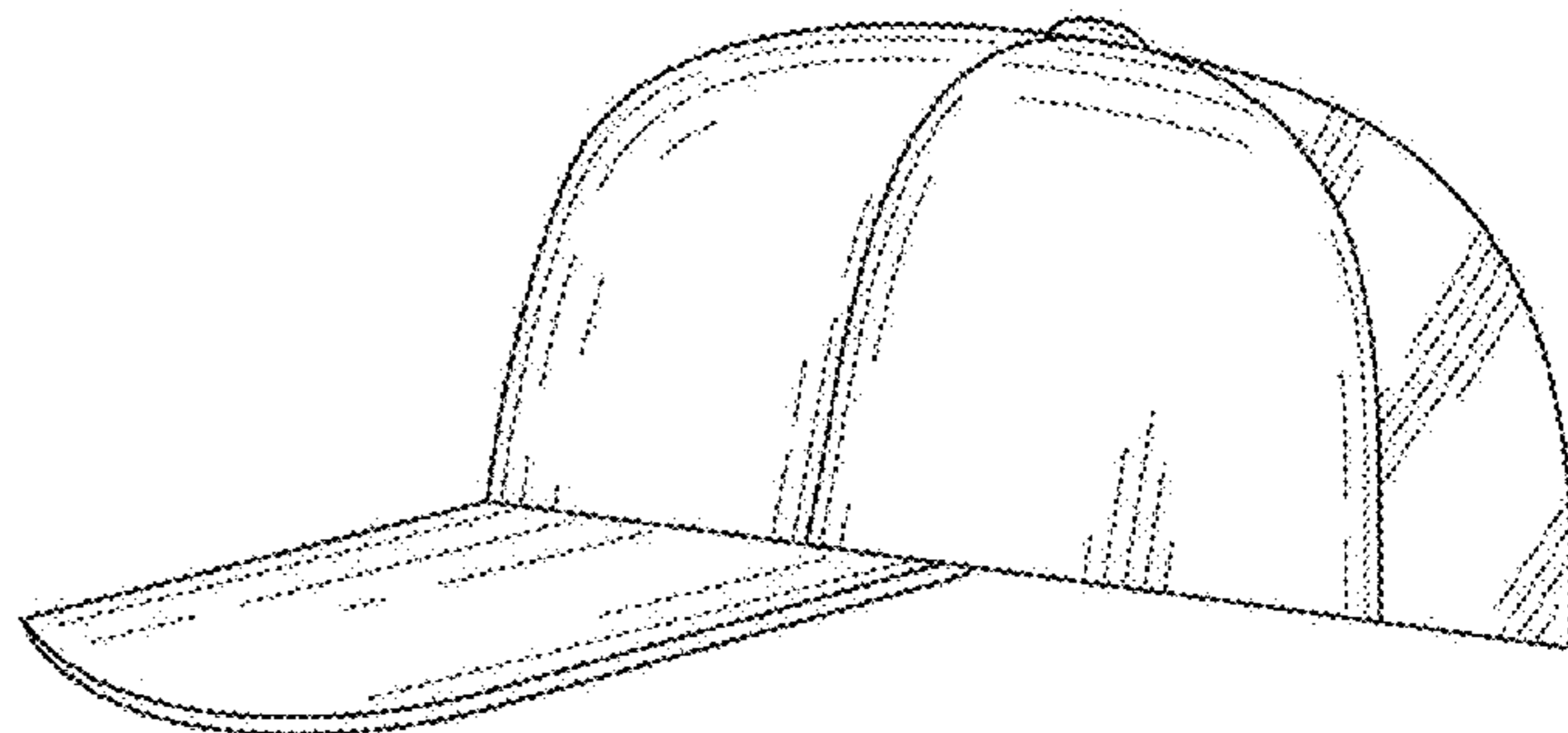
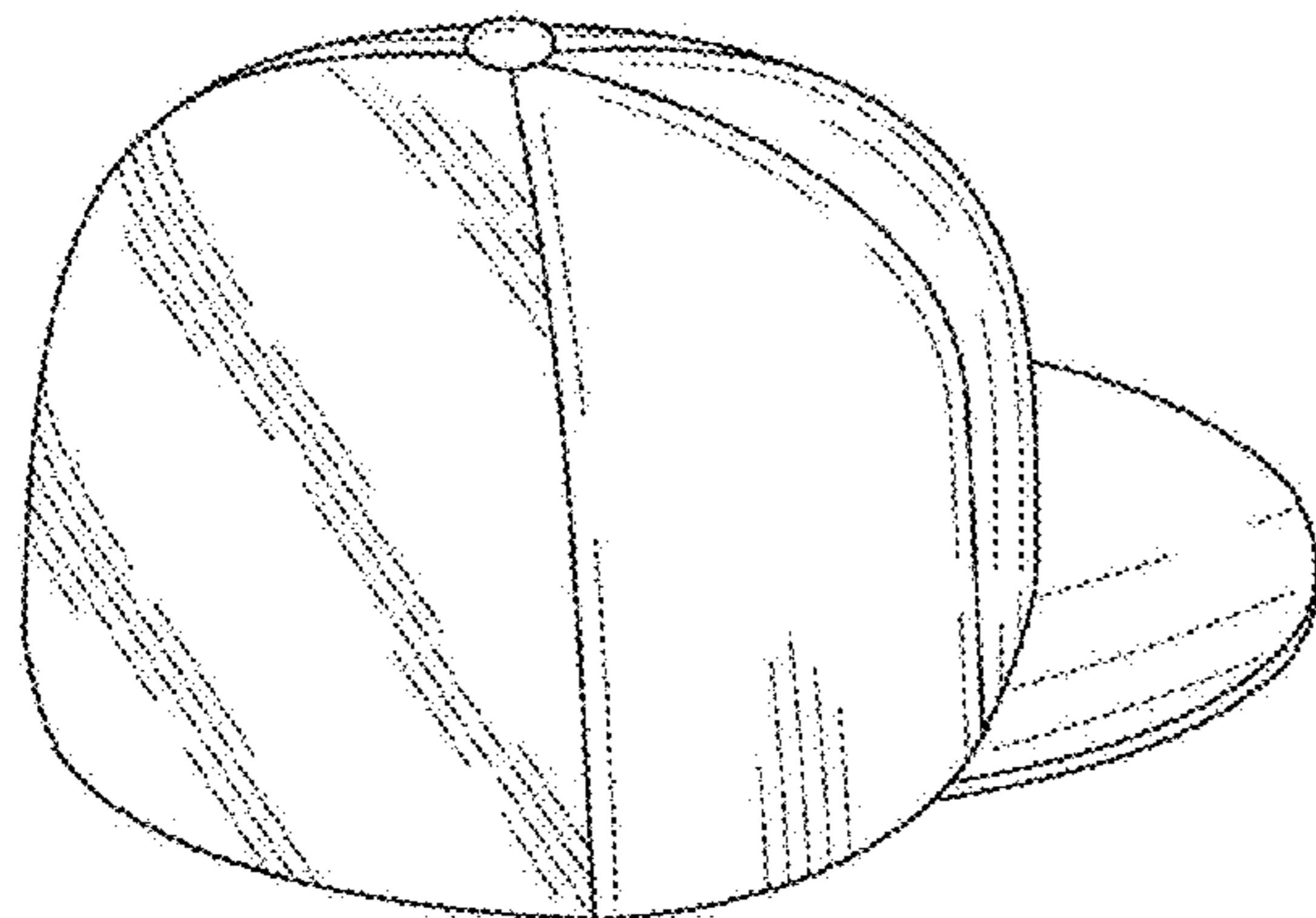
(57) **CLAIM**

The ornamental design for a cap with a rear panel electronic display screen, as shown.

**DESCRIPTION**

FIG. 1 shows a perspective view of a cap with a rear panel electronic display screen;  
FIG. 2 shows a front elevation view of the cap with a rear panel electronic display screen;  
FIG. 3 shows a side elevation view of the cap with a rear panel electronic display screen; and,  
FIG. 4 shows a top plan view of the cap with a rear panel electronic display screen.

**1 Claim, 2 Drawing Sheets**



(56)

References Cited

U.S. PATENT DOCUMENTS

1,427,891 A	9/1922	Ziegler		D389,754 S	1/1998	Skubala	
D62,863 S	8/1923	Strauss		D391,741 S	3/1998	Baker	
1,481,975 A	1/1924	Bender		D396,546 S	8/1998	Marrs	
D64,441 S	4/1924	Cavell		D397,239 S	8/1998	Marrs	
1,502,160 A	7/1924	Reinthal		5,794,267 A	8/1998	Wallace	
D66,331 S	12/1924	Pegg		5,823,328 A	10/1998	Fomby	
1,560,073 A	11/1925	Bontempi et al.		D401,086 S	11/1998	Hellwig	
1,566,663 A	12/1925	Finkelstein		D401,738 S	12/1998	Scerbo	
1,582,812 A	4/1926	Avin		D403,491 S	1/1999	Wyatt et al.	
1,586,242 A	5/1926	Duthie		D405,239 S	2/1999	Kostinko	
1,606,798 A	11/1926	Karger		D406,687 S	3/1999	Thorpe	
1,616,475 A	2/1927	Tracey		D407,190 S	3/1999	Day	
D73,128 S	7/1927	Harris		5,943,698 A	8/1999	Blanks	
D79,398 S	9/1929	Wittcoff		5,960,476 A	10/1999	Danzy	
1,782,414 A	11/1930	Duer		D417,063 S *	11/1999	Henning	D2/866
1,784,970 A	12/1930	Melton		D418,279 S	1/2000	Day	
D95,170 S	4/1935	Baumgard		6,012,172 A	1/2000	Steffy	
2,094,104 A	9/1937	Lee et al.		6,022,599 A	2/2000	Rietveld et al.	
D115,046 S	5/1939	Marks		D424,282 S	5/2000	Crumpton et al.	
2,226,133 A	12/1940	Lee, Jr.		D427,751 S	7/2000	Richlin	
2,252,207 A	8/1941	Rodgers		6,154,992 A	12/2000	Lee	
D130,393 S	11/1941	Paul		D436,991 S	1/2001	Morgante	
2,387,482 A	10/1945	Vineberg		D438,374 S	3/2001	Hayman	
2,440,407 A	4/1948	Kuenstner		D441,191 S	5/2001	Vazquez	
2,445,922 A	7/1948	Ostolaza et al.		D444,618 S	7/2001	Wilson	
D162,354 S	3/1951	Smith		D447,318 S	9/2001	Gath	
2,682,667 A	7/1954	Michelstetter		6,308,445 B1	10/2001	Porraro	
2,776,435 A	1/1957	Trimpert		D452,767 S	1/2002	Balloni et al.	
2,839,860 A	6/1958	Fry		D453,610 S *	2/2002	Lee	D2/882
D193,829 S	10/1962	Van-Den-Berg		6,370,696 B1 *	4/2002	Kronenberger	A42B 1/248 2/175.1
3,346,153 A	10/1967	Galasso		D459,059 S	6/2002	Park	
3,556,115 A	1/1971	Benson		D459,094 S	6/2002	Stone et al.	
D221,719 S	8/1971	Hoskins		6,408,443 B1	6/2002	Park	
D231,356 S	4/1974	Kurz		D460,604 S	7/2002	Sullivan, Jr.	
3,895,797 A	7/1975	Moore		6,470,499 B1	10/2002	Joiner	
D251,336 S	3/1979	Getgey		D470,450 S	2/2003	Olzak	
D263,092 S	2/1982	Fay		D472,695 S	4/2003	Lee	
4,529,278 A	7/1985	Nugent		D473,039 S	4/2003	Erspamer	
4,535,478 A	8/1985	Zufle		6,588,021 B2 *	7/2003	Kronenberger	A42B 1/062 2/175.2
4,611,355 A *	9/1986	Galanto	A42B 1/248 2/209.13	D478,710 S *	8/2003	Yan	D2/882
4,636,047 A	1/1987	Green		D482,185 S	11/2003	Park	
D292,044 S	9/1987	Billiet		6,643,847 B1	11/2003	Dornak	
4,710,981 A	12/1987	Sanchez		D483,173 S	12/2003	Harris et al.	
4,827,384 A	5/1989	Von Schlemmer		D483,928 S	12/2003	Mansell et al.	
4,834,688 A	5/1989	Jones		6,672,748 B2	1/2004	Baldwin	
4,873,726 A	10/1989	Tapia		D487,329 S	3/2004	Prinz	
4,924,613 A	5/1990	Levin		6,751,805 B1	6/2004	Austion	
5,054,127 A	10/1991	Zevchak		D494,745 S	8/2004	Kronenberger	
5,070,545 A *	12/1991	Tapia	A42B 1/064 2/10	D496,146 S	9/2004	Appleberry	
5,099,594 A	3/1992	Reas et al.		D496,775 S	10/2004	Tanner	
5,102,129 A	4/1992	Roberts		D497,648 S	10/2004	Carlson	
5,131,177 A	7/1992	Sy, Jr.		6,810,533 B1	11/2004	Nahabedian et al.	
5,167,559 A	12/1992	Power-Fardy		6,820,281 B2	11/2004	Mariland et al.	
D333,030 S	2/1993	Wilkes		D502,589 S	3/2005	Lee	
5,253,368 A *	10/1993	Blake	A42B 1/248 2/195.1	D509,947 S	9/2005	Fortune	
5,305,538 A	4/1994	Kanzelberger		6,948,189 B2	9/2005	Early	
D350,221 S	9/1994	Van Doren		D517,283 S	3/2006	Shin et al.	
5,359,733 A	11/1994	Brannon et al.		D522,559 S	6/2006	Naito et al.	
5,437,062 A	8/1995	Douglas		D523,612 S	6/2006	Steger	
5,452,479 A	9/1995	Mostert		D539,012 S	3/2007	Evans	
5,454,120 A	10/1995	Rowlands		D543,014 S	5/2007	Sharpe et al.	
5,462,471 A	10/1995	Power-Fardy		D543,338 S	5/2007	Park	
5,465,426 A	11/1995	Beaton		7,219,374 B2	5/2007	Cho	
5,476,194 A	12/1995	Hippely et al.		D548,657 S	8/2007	Eskandry	
5,477,629 A *	12/1995	Gleason, Jr.	A42B 1/064 2/DIG. 2	D558,431 S	1/2008	Pritchett	
D367,158 S	2/1996	Baker		D558,955 S	1/2008	Taylor	
D370,354 S	6/1996	Deakyne		7,331,064 B1	2/2008	Quintal	
5,548,847 A	8/1996	Spicijaric		7,424,751 B1	9/2008	Miller	
5,621,914 A	4/1997	Ramone et al.		D577,879 S	10/2008	Jones	
5,632,044 A	5/1997	Sloot		D580,184 S	11/2008	Svensen et al.	
D383,892 S	9/1997	Virzi		7,490,364 B2	2/2009	Kim	
				D600,879 S	9/2009	Accardi	
				D603,144 S	11/2009	South	
				D603,585 S	11/2009	Capriola	
				7,621,000 B1	11/2009	Fulton	
				D607,627 S	1/2010	Kowalczyk	
				D608,531 S	1/2010	Kronenberger	



(56)

References Cited

U.S. PATENT DOCUMENTS

D617,636 S 6/2010 Vanhoutte  
 D619,336 S \* 7/2010 Eyl ..... D2/866  
 D619,789 S \* 7/2010 Barany ..... D2/882  
 D621,590 S 8/2010 Martin  
 D624,286 S 9/2010 Hall  
 D625,082 S 10/2010 Jones  
 D629,183 S \* 12/2010 Adams ..... D2/882  
 D630,822 S 1/2011 Thomas  
 D635,336 S 4/2011 Alger  
 D635,743 S 4/2011 Johnson  
 D635,976 S 4/2011 Lee et al.  
 D636,562 S 4/2011 Lam et al.  
 7,974,432 B1 7/2011 Ryan  
 7,992,224 B2 8/2011 Tai  
 D647,286 S 10/2011 Malek  
 D649,040 S 11/2011 Sanders  
 D649,744 S 12/2011 Weinshanker  
 D654,251 S \* 2/2012 Alkas-Shamoun ..... D2/882  
 D655,601 S 3/2012 Daley et al.  
 D657,424 S 4/2012 Podd  
 D658,603 S 5/2012 Egawa et al.  
 D658,899 S 5/2012 Zadro  
 D659,351 S 5/2012 Benkendorfer  
 D660,554 S 5/2012 Blackshear  
 D661,061 S \* 6/2012 Eveleth ..... D2/882  
 D661,063 S 6/2012 Eveleth  
 D661,446 S 6/2012 Davis  
 D670,068 S 11/2012 Bomze  
 D670,892 S 11/2012 Epstein  
 D671,716 S 12/2012 Lam et al.  
 D672,294 S 12/2012 Thompson  
 8,364,220 B2 1/2013 Sandmore  
 D681,867 S 5/2013 Wegger et al.  
 8,453,265 B2 6/2013 Forte et al.  
 8,458,820 B2 6/2013 Cleva  
 D693,099 S \* 11/2013 Purdy ..... D2/882  
 8,626,586 B1 1/2014 Biere et al.  
 D699,928 S 2/2014 Tien  
 D701,504 S 3/2014 Christopher et al.  
 8,677,515 B2 3/2014 Ishihara et al.  
 D702,928 S 4/2014 White  
 D703,069 S 4/2014 Adams et al.  
 D704,925 S 5/2014 Cho  
 D705,527 S 5/2014 Clark  
 D708,427 S \* 7/2014 Cho ..... D2/882  
 D709,675 S 7/2014 Cho  
 D710,220 S 8/2014 Daniel  
 D711,002 S 8/2014 Ohnemus et al.  
 D711,874 S 8/2014 Cope  
 D712,635 S 9/2014 Rivas  
 D713,622 S 9/2014 Steel  
 D714,031 S 9/2014 Javits, Jr.  
 D716,078 S 10/2014 Theisen et al.  
 8,869,312 B2 10/2014 Tuohy et al.  
 D716,528 S \* 11/2014 Badish ..... D2/882  
 D717,019 S 11/2014 Van Dalen  
 D718,731 S 12/2014 Lee et al.  
 8,898,820 B2 12/2014 Sokolowski et al.  
 8,905,560 B1 12/2014 Zadro  
 D721,874 S 2/2015 Robbins et al.  
 8,950,012 B2 2/2015 Ilges et al.  
 D729,650 S 5/2015 Phillips et al.  
 D730,563 S 5/2015 Renshaw et al.  
 D733,130 S 6/2015 Kim et al.  
 D734,329 S 7/2015 Lee  
 D736,495 S 8/2015 Bednarz  
 D736,768 S 8/2015 Kuwabara et al.  
 D736,993 S 8/2015 Wang et al.  
 D738,071 S 9/2015 Kamhi et al.  
 D739,403 S 9/2015 David et al.  
 9,161,584 B1 \* 10/2015 Garrett, Jr. .... A42B 1/004  
 D743,149 S \* 11/2015 Brandelli ..... D2/882  
 D746,283 S 12/2015 Cha et al.  
 D748,091 S 1/2016 Akana et al.  
 D748,379 S \* 2/2016 Fitzpatrick ..... D2/882

D751,794 S 3/2016 Zenoff  
 D751,795 S 3/2016 Zenoff  
 D751,796 S \* 3/2016 Gewirz ..... D2/891  
 D754,422 S 4/2016 Zenoff  
 2001/0034894 A1 11/2001 Godfrey et al.  
 2003/0073412 A1 4/2003 Meade  
 2003/0221234 A1 12/2003 Wang  
 2004/0221368 A1 11/2004 Okot  
 2005/0132470 A1 6/2005 Wong  
 2006/0112707 A1 6/2006 Tu  
 2006/0117458 A1 6/2006 Ishihara et al.  
 2006/0206985 A1 9/2006 Proctor  
 2006/0209218 A1 9/2006 Lee et al.  
 2006/0249404 A1 11/2006 Adams  
 2007/0056078 A1 3/2007 Tseng  
 2007/0143906 A1 6/2007 Renteria  
 2007/0182664 A1 8/2007 Himmele  
 2007/0247312 A1 10/2007 Sekine  
 2007/0256213 A1 \* 11/2007 Dunavin ..... A42B 1/069  
 2/171  
 2008/0000013 A1 1/2008 Talley  
 2009/0084009 A1 4/2009 Vandergriff et al.  
 2009/0251888 A1 10/2009 Douglas  
 2009/0306485 A1 12/2009 Bell  
 2009/0310290 A1 12/2009 Tennent  
 2010/0058514 A1 3/2010 Koh  
 2010/0095573 A1 4/2010 Lifshitz  
 2010/0100004 A1 4/2010 Van Someren  
 2010/0131613 A1 5/2010 Jonsson et al.  
 2010/0299979 A1 12/2010 Lamere  
 2010/0306808 A1 12/2010 Neumeier et al.  
 2010/0313334 A1 12/2010 Moy  
 2011/0041238 A1 2/2011 Brzoska  
 2011/0088715 A1 4/2011 Lee et al.  
 2011/0094016 A1 4/2011 Paulson  
 2011/0187681 A1 8/2011 Kim et al.  
 2011/0246908 A1 10/2011 Akram et al.  
 2011/0295749 A1 12/2011 Scalisi  
 2012/0005809 A1 1/2012 Johnson  
 2012/0089437 A1 4/2012 Amento et al.  
 2012/0163269 A1 6/2012 Shuster et al.  
 2012/0198600 A1 8/2012 Niazi  
 2012/0210616 A1 8/2012 Laraque  
 2012/0256902 A1 10/2012 Tam et al.  
 2012/0264492 A1 10/2012 Stewart  
 2012/0324076 A1 12/2012 Zerr et al.  
 2013/0188322 A1 7/2013 Lowe  
 2013/0222270 A1 8/2013 Winkler et al.  
 2013/0333095 A1 12/2013 Dudick  
 2014/0053316 A1 2/2014 Su  
 2014/0098009 A1 4/2014 Prest et al.  
 2014/0111323 A1 4/2014 Strout et al.  
 2014/0121539 A1 5/2014 Chatterjee et al.  
 2014/0160055 A1 6/2014 Margolis et al.  
 2014/0173807 A1 6/2014 Waters  
 2014/0176417 A1 6/2014 Young et al.  
 2015/0033445 A1 2/2015 Warner et al.  
 2015/0096104 A1 4/2015 Kim  
 2015/0146903 A1 5/2015 Mariasov  
 2015/0164166 A1 6/2015 Tsai  
 2015/0250245 A1 9/2015 Waters  
 2015/0312975 A1 10/2015 Tischler et al.  
 2016/0019821 A1 1/2016 Haddad

OTHER PUBLICATIONS

U.S. Appl. No. 29/499,864, filed Aug. 19, 2014, Zenoff.  
 U.S. Appl. No. 29/499,867, filed Aug. 19, 2014, Zenoff.  
 U.S. Appl. No. 29/499,866, filed Aug. 19, 2014, Zenoff.  
 U.S. Appl. No. 29/500,139, filed Aug. 21, 2014, Zenoff.  
 U.S. Appl. No. 29/500,381, filed Aug. 25, 2014, Zenoff.  
 U.S. Appl. No. 29/500,387, filed Aug. 25, 2014, Zenoff.  
 U.S. Appl. No. 29/500,391, filed Aug. 25, 2014, Zenoff.  
 U.S. Appl. No. 29/500,393, filed Aug. 25, 2014, Zenoff.  
 U.S. Appl. No. 29/500,399, filed Aug. 25, 2014, Zenoff.  
 U.S. Appl. No. 29/500,405, filed Aug. 25, 2014, Zenoff.  
 U.S. Appl. No. 29/500,407, filed Aug. 25, 2014, Zenoff.  
 U.S. Appl. No. 29/500,408, filed Aug. 25, 2014, Zenoff.

(56)

**References Cited**

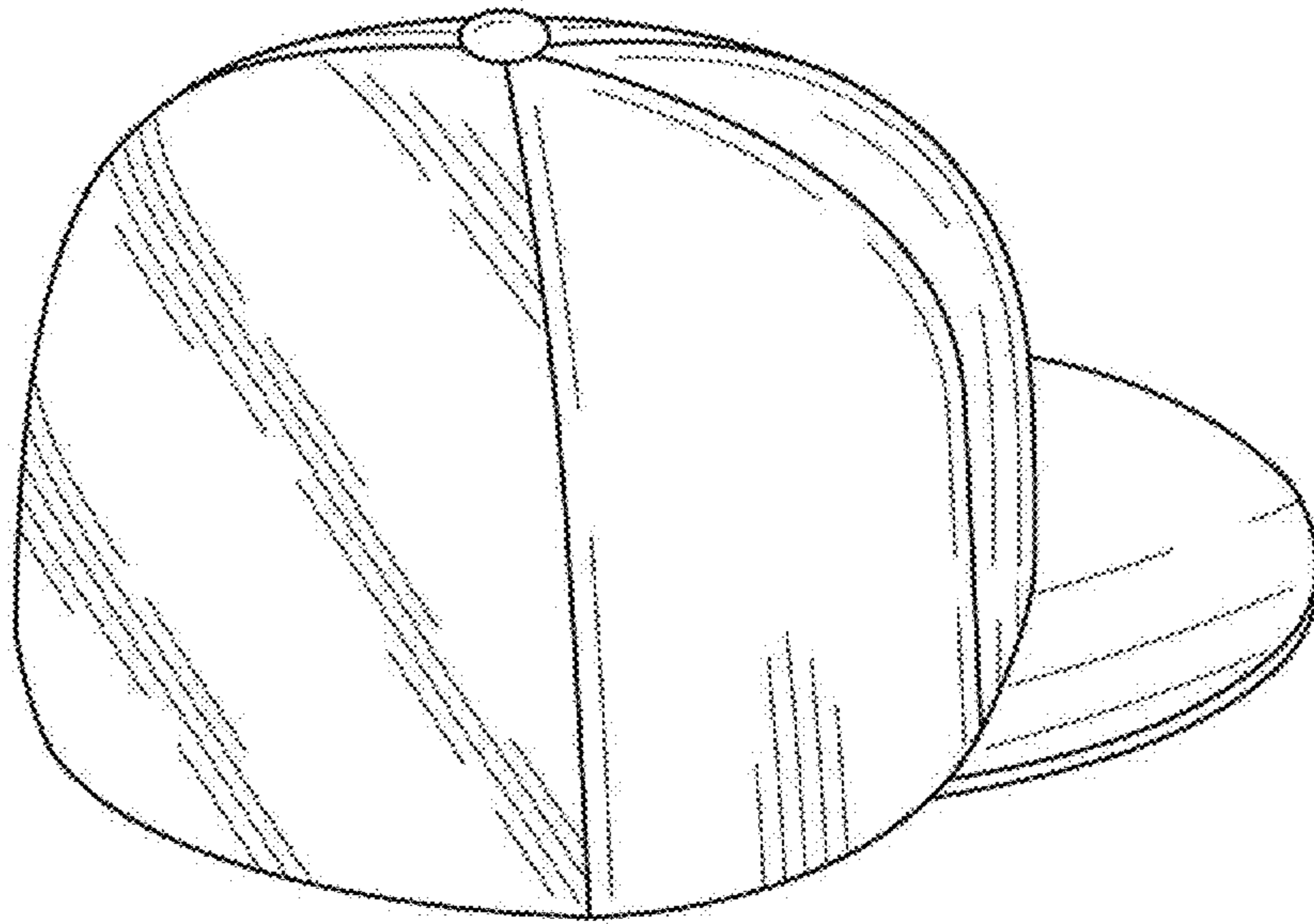
## OTHER PUBLICATIONS

U.S. Appl. No. 29/500,504, filed Aug. 26, 2014, Zenoff.  
U.S. Appl. No. 29/500,506, filed Aug. 26, 2014, Zenoff.  
U.S. Appl. No. 29/500,509, filed Aug. 26, 2014, Zenoff.  
U.S. Appl. No. 29/500,512, filed Aug. 26, 2014, Zenoff.  
U.S. Appl. No. 29/500,514, filed Aug. 26, 2014, Zenoff.  
U.S. Appl. No. 29/500,546, filed Aug. 26, 2014, Zenoff.  
U.S. Appl. No. 29/500,551, filed Aug. 26, 2014, Zenoff.  
U.S. Appl. No. 29/500,553, filed Aug. 26, 2014, Zenoff.  
U.S. Appl. No. 29/500,555, filed Aug. 26, 2014, Zenoff.  
U.S. Appl. No. 29/500,557, filed Aug. 26, 2014, Zenoff.  
U.S. Appl. No. 29/500,558, filed Aug. 26, 2014, Zenoff.  
U.S. Appl. No. 29/500,562, filed Aug. 26, 2014, Zenoff.  
U.S. Appl. No. 29/500,564, filed Aug. 26, 2014, Zenoff.  
Alibaba.com. Mobile billboard advertising led truck new technology product in china mobile truck led tv screen. Available at [http://www.alibaba.com/product-detail/mobile-billboard-advertising-led-truck-new\\_60181386676.html](http://www.alibaba.com/product-detail/mobile-billboard-advertising-led-truck-new_60181386676.html). Accessed on Jul. 24, 2015.  
Webbozz.com. Stylish Circular Display Smart Watch-Motorola Moto 360. Feb. 2013. Available at <http://www.webbozz.com/stylish-circular-display-smart-watch-motorola-moto-360>. Accessed on Jul. 23, 2015.  
Notice of allowance dated Mar. 3, 2016 for U.S. Appl. No. 29/500,555 of inventor Andrew Zenoff.

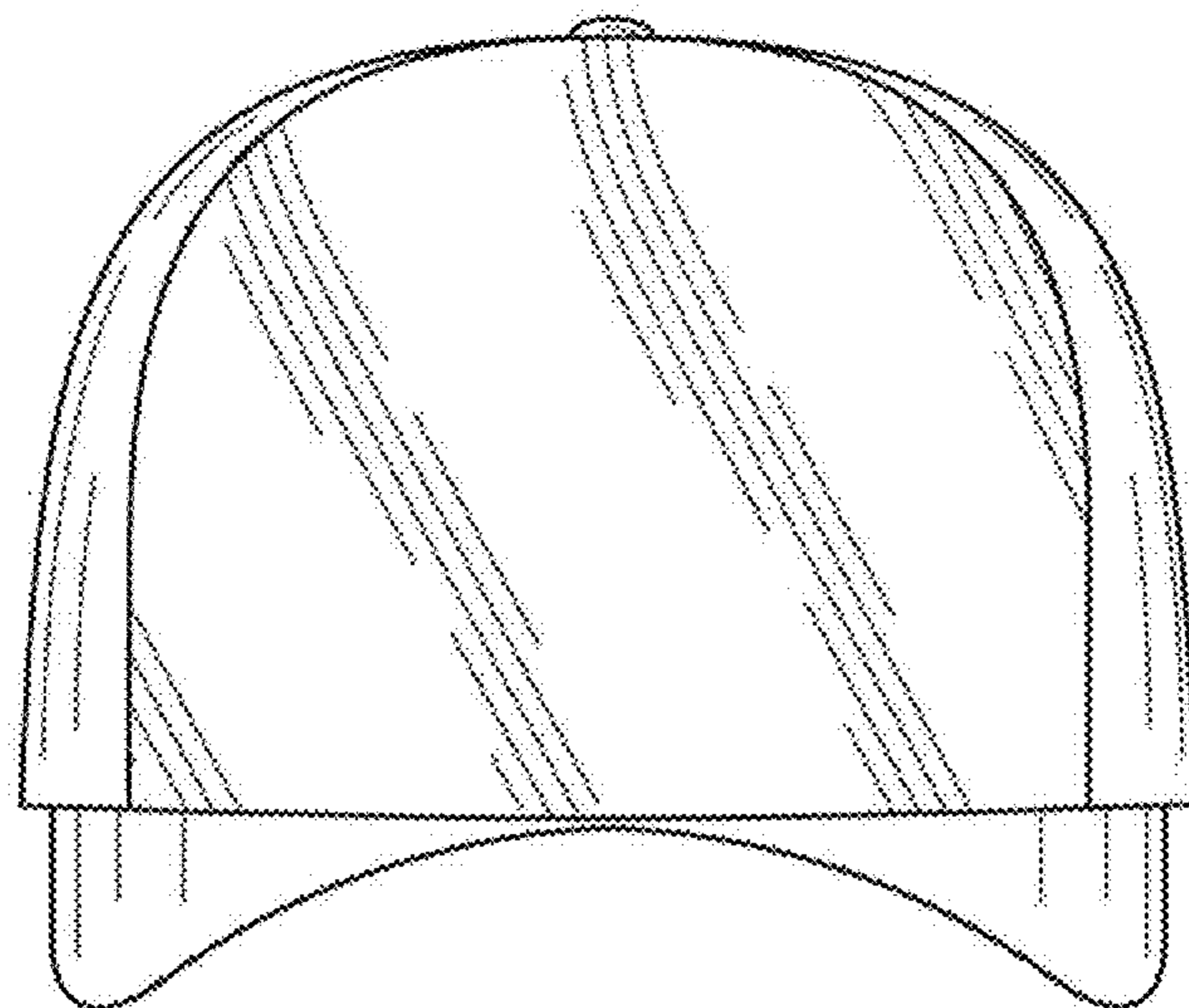
Notice of allowance dated Apr. 27, 2016 for U.S. Appl. No. 29/500,387 of inventor Andrew Zenoff.  
Notice of allowance dated Apr. 27, 2016 for U.S. Appl. No. 29/500,391 of inventor Andrew Zenoff.  
Notice of allowance dated Apr. 27, 2016 for U.S. Appl. No. 29/500,509 of inventor Andrew Zenoff.  
Notice of allowance dated Apr. 25, 2016 for U.S. Appl. No. 29/500,381 of inventor Andrew Zenoff.  
Office action dated Feb. 19, 2016 for U.S. Appl. No. 29/500,512 of inventor Andrew Zenoff.  
Office action dated Feb. 22, 2016 for U.S. Appl. No. 29/500,558 of inventor Andrew Zenoff.  
Office action dated Mar. 14, 2016 for U.S. Appl. No. 29/500,546 of inventor Andrew Zenoff.  
Office action dated Apr. 20, 2016 for U.S. Appl. No. 29/500,564 of inventor Andrew Zenoff.  
Notice of allowance dated Jun. 14, 2016 for U.S. Appl. No. 29/500,509 of inventor Andrew Zenoff.  
Notice of allowance dated Jun. 15, 2016 for U.S. Appl. No. 29/500,555 of inventor Andrew Zenoff.  
Notice of allowance dated Jun. 22, 2016 for U.S. Appl. No. 29/500,387 of inventor Andrew Zenoff.  
Notice of allowance dated Jun. 22, 2016 for U.S. Appl. No. 29/500,391 of inventor Andrew Zenoff.

\* cited by examiner

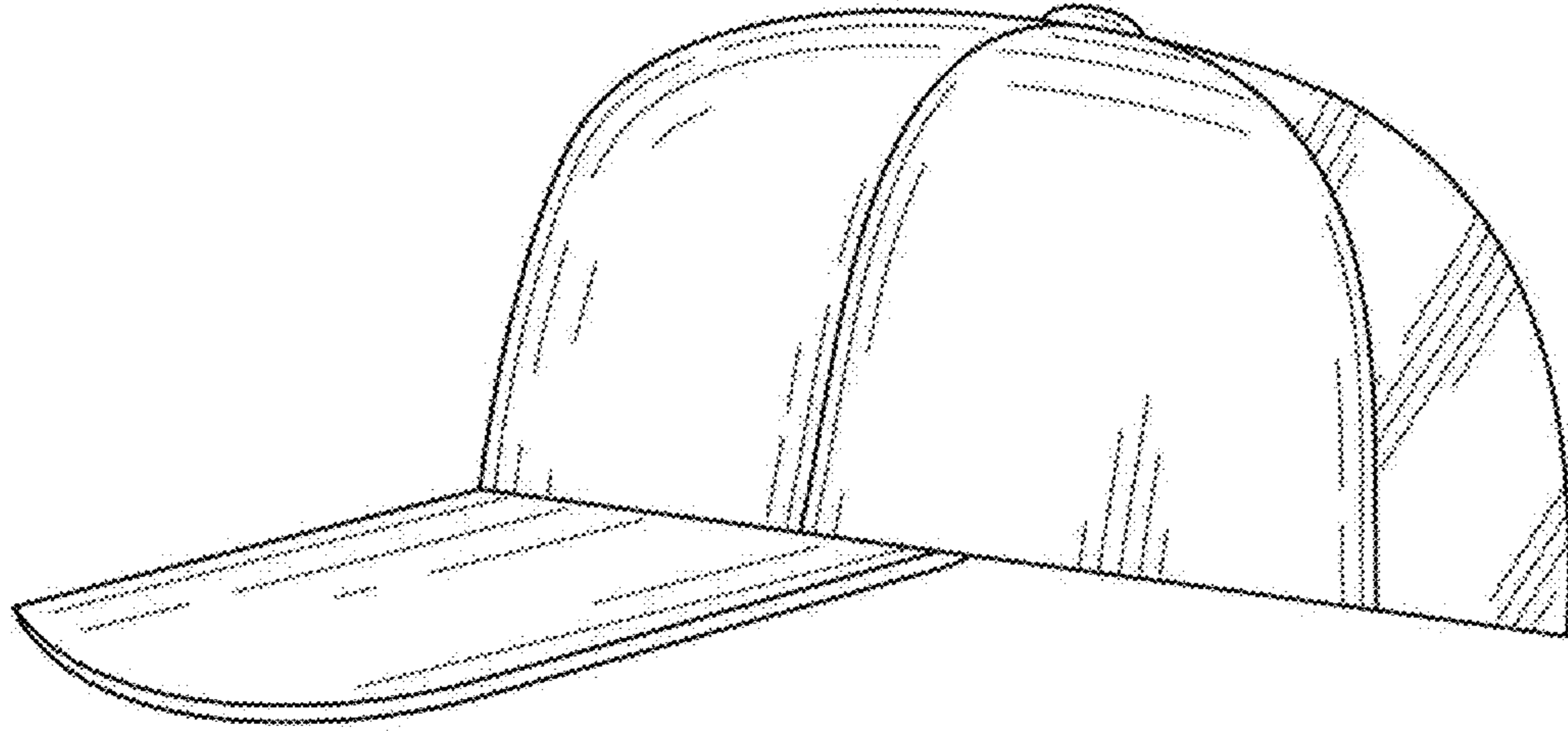




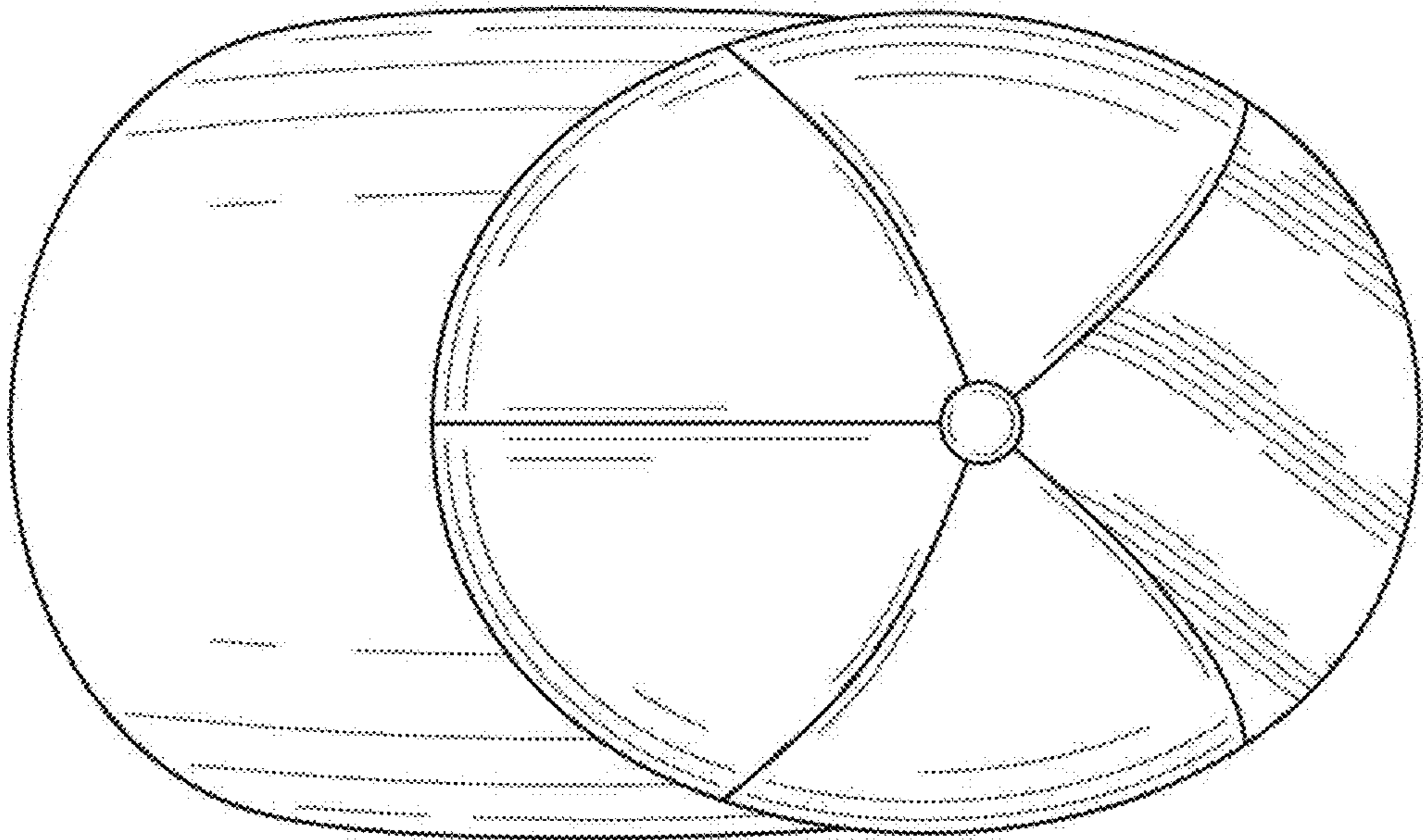
**FIG. 1**



**FIG. 2**



**FIG. 3**



**FIG. 4**