

US00D764767S

(12) **United States Design Patent**
Savage

(10) **Patent No.:** **US D764,767 S**

(45) **Date of Patent:** **** Aug. 30, 2016**

(54) **SLEEVE CUFF FOR A GARMENT**

D628,363 S * 12/2010 Bengyak D2/610
D639,023 S * 6/2011 Iamartino D2/750
D642,770 S * 8/2011 Bengyak D2/840

(71) Applicant: **lululemon athletica canada inc.**,
Vancouver (CA)

(Continued)

(72) Inventor: **Shannon Savage**, Vancouver (CA)

OTHER PUBLICATIONS

(73) Assignee: **lululemon athletica canada inc.**,
Vancouver (CA)

theMomBuzz. <http://themombuzz.com/2011/07/15/thumbs-up-jacket-coupon-code-for-4allbyjofit/>. Jul. 2011. "Thumbs Up Jacket".*

(**) Term: **14 Years**

(Continued)

(21) Appl. No.: **29/476,337**

Primary Examiner — Richard E Chilcot

(22) Filed: **Dec. 12, 2013**

(74) *Attorney, Agent, or Firm* — McCarthy Tétrault LLP

Related U.S. Application Data

(62) Division of application No. 29/396,380, filed on Jun. 29, 2011, now Pat. No. Des. 699,925.

(51) **LOC (10) Cl.** **02-02**

(52) **U.S. Cl.**
USPC **D2/858**

(58) **Field of Classification Search**
USPC D2/828, 840, 858, 750
See application file for complete search history.

(57) **CLAIM**

The ornamental design for sleeve cuff for a garment, as shown and described.

DESCRIPTION

(56) **References Cited**

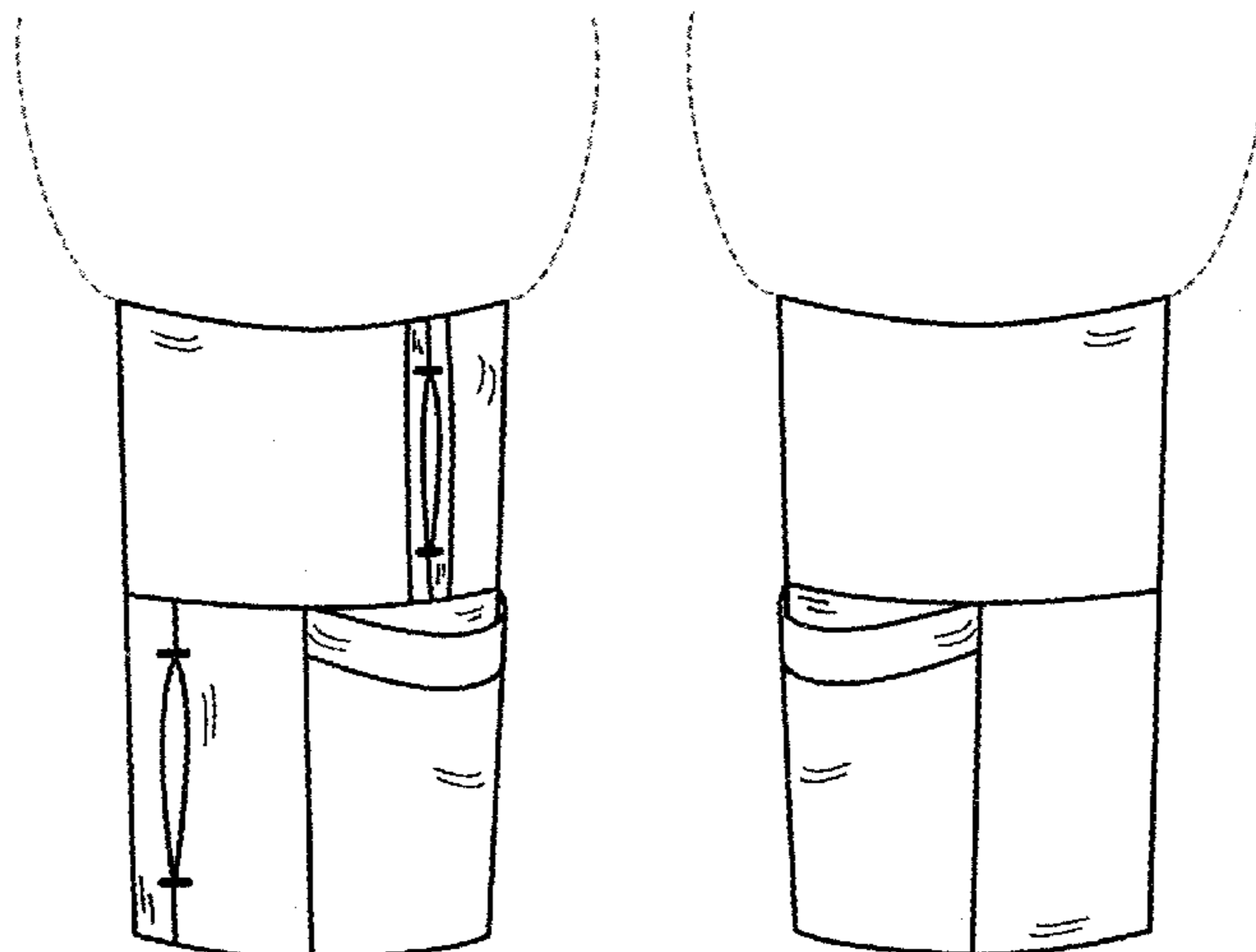
U.S. PATENT DOCUMENTS

- 5,784,720 A * 7/1998 Mellon A41D 19/0041
2/123
- D397,222 S * 8/1998 Humensky D24/190
- D402,441 S 12/1998 Kelly
- 6,449,772 B1 * 9/2002 Donner A41D 13/088
2/16
- 7,120,936 B2 10/2006 DeSantis
- 7,200,870 B1 * 4/2007 Kolk A41D 13/08
2/16
- D576,377 S 9/2008 Galasso
- D576,378 S 9/2008 Galasso
- D584,883 S 1/2009 Galasso
- D598,639 S * 8/2009 Holder D2/828
- D615,280 S 5/2010 Graulich
- D628,362 S 12/2010 Bonelli

FIG. 1 is a front view of a sleeve cuff for a garment according to the design;
 FIG. 2 is an enlarged front view of the sleeve cuff of FIG. 1;
 FIG. 3 is an enlarged rear view of the sleeve cuff of FIG. 2;
 FIG. 4 is an enlarged right side view of the sleeve cuff of FIG. 2;
 FIG. 5 is an enlarged left side view of the sleeve cuff of FIG. 2;
 FIG. 6 is an enlarged front perspective view of the sleeve cuff of FIG. 2;
 FIG. 7 is an enlarged front view of the sleeve cuff of FIG. 2 shown in use with the slits in the sleeve cuff shown in their opened positions; and,
 FIG. 8 is a rear view of the sleeve cuff for a garment of FIG. 1.

The portions shown in broken lines in FIGS. 1-8 do not form part of the claimed design. The broken line showing of the hand and wrist watch in FIG. 7 is for the purpose of illustrating portions of the environmental structure and forms no part of the claimed design.

1 Claim, 8 Drawing Sheets



(56)

References Cited

U.S. PATENT DOCUMENTS

D662,284 S * 6/2012 Lam D2/831
D701,368 S * 3/2014 Borovicka D2/831
D715,029 S * 10/2014 Roberts D2/840
2012/0311766 A1* 12/2012 Clark A41D 19/01
2/158
2014/0250565 A1* 9/2014 Willows A41D 19/002
2/160

OTHER PUBLICATIONS

Carrots 'N' Cake. <http://carrotsncake.com/2012/11/fall-field-day.html>. Nov. 2012. Reebok "Play Dry Jacket".*
Gadgetmac. <http://gadgetmac.com/alt/westcomb-ozone-hoody-hands-on.html>. Feb. 2013. "Ozone Hoody".*

* cited by examiner

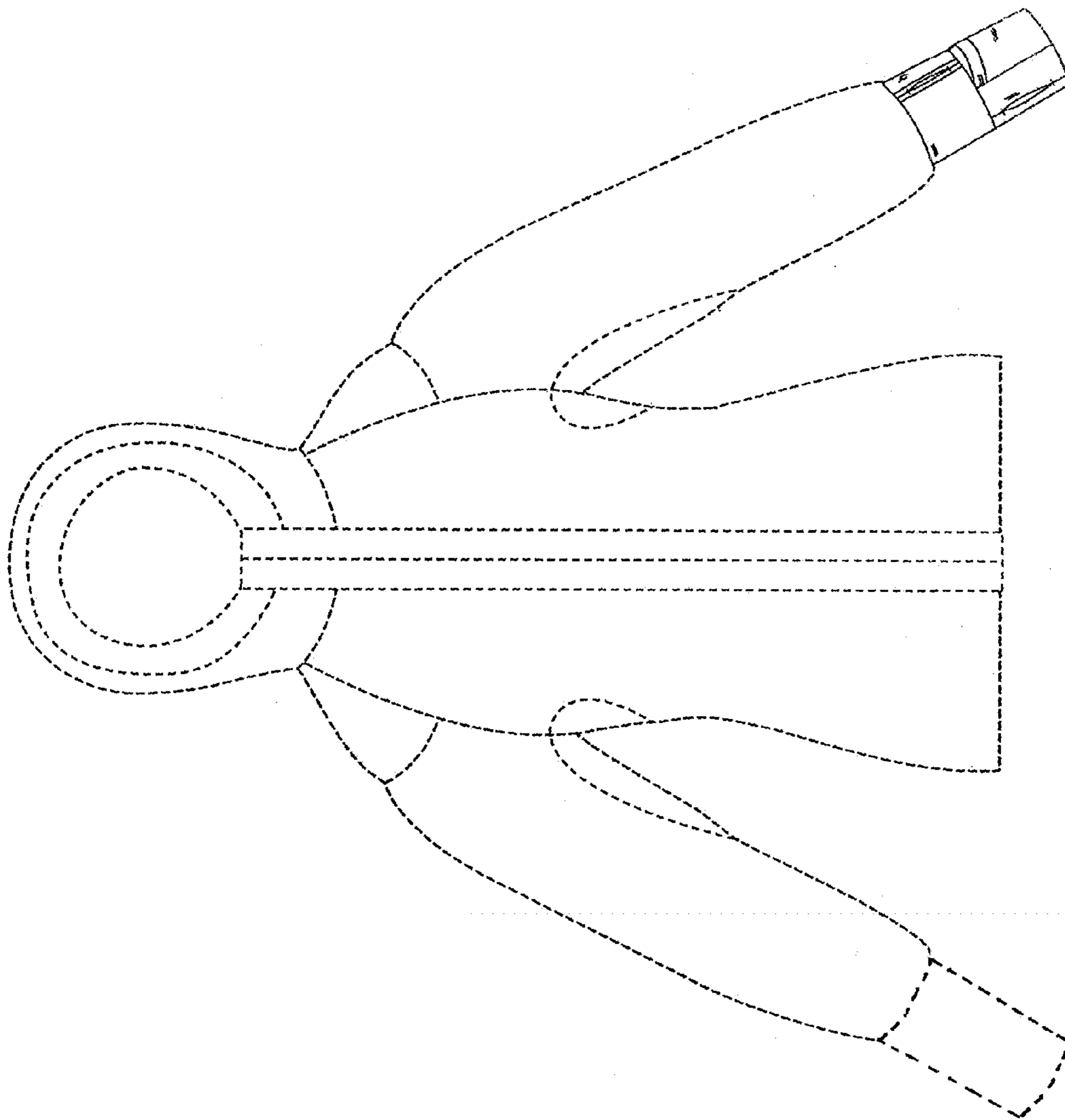


FIG. 1

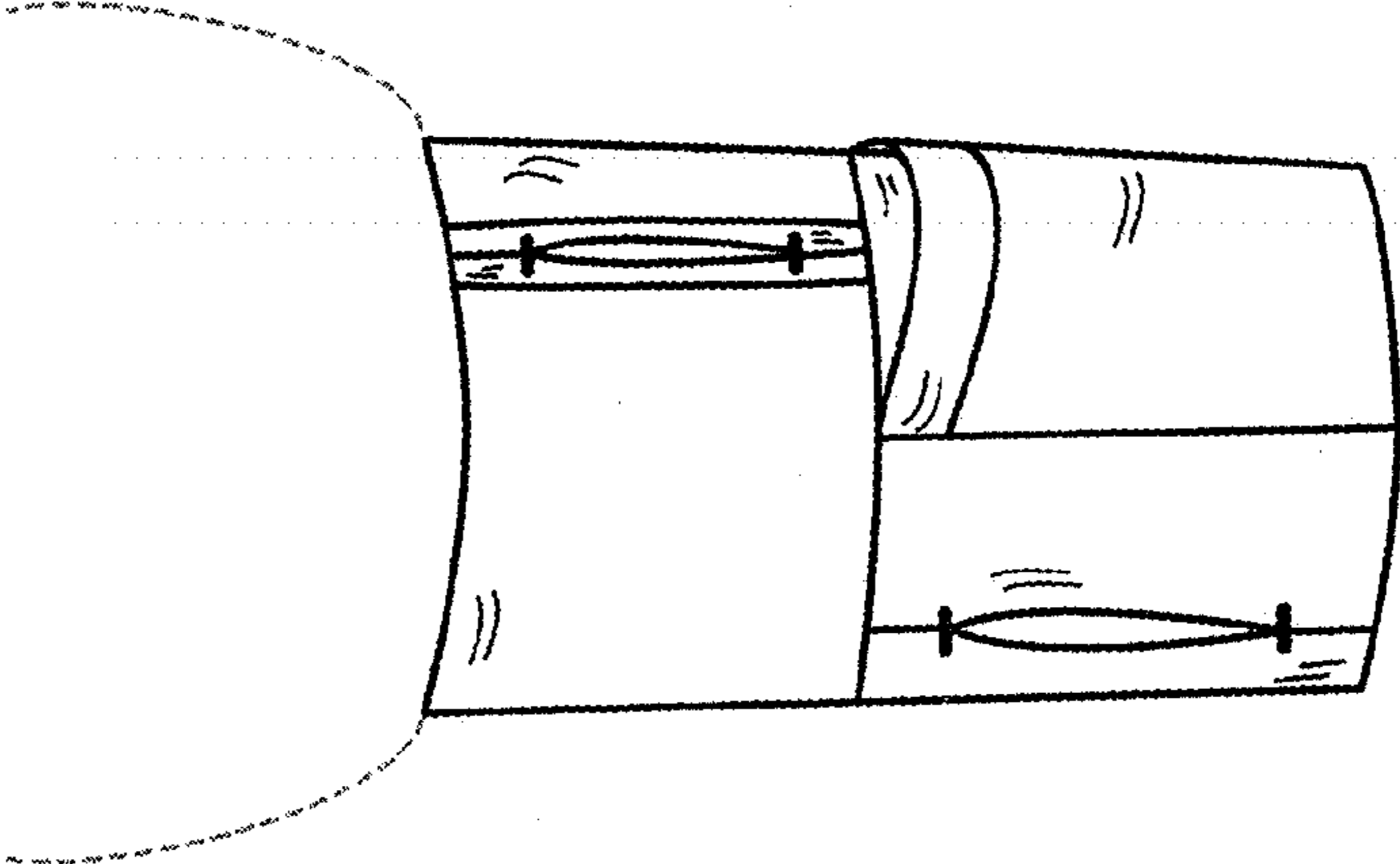


FIG. 2

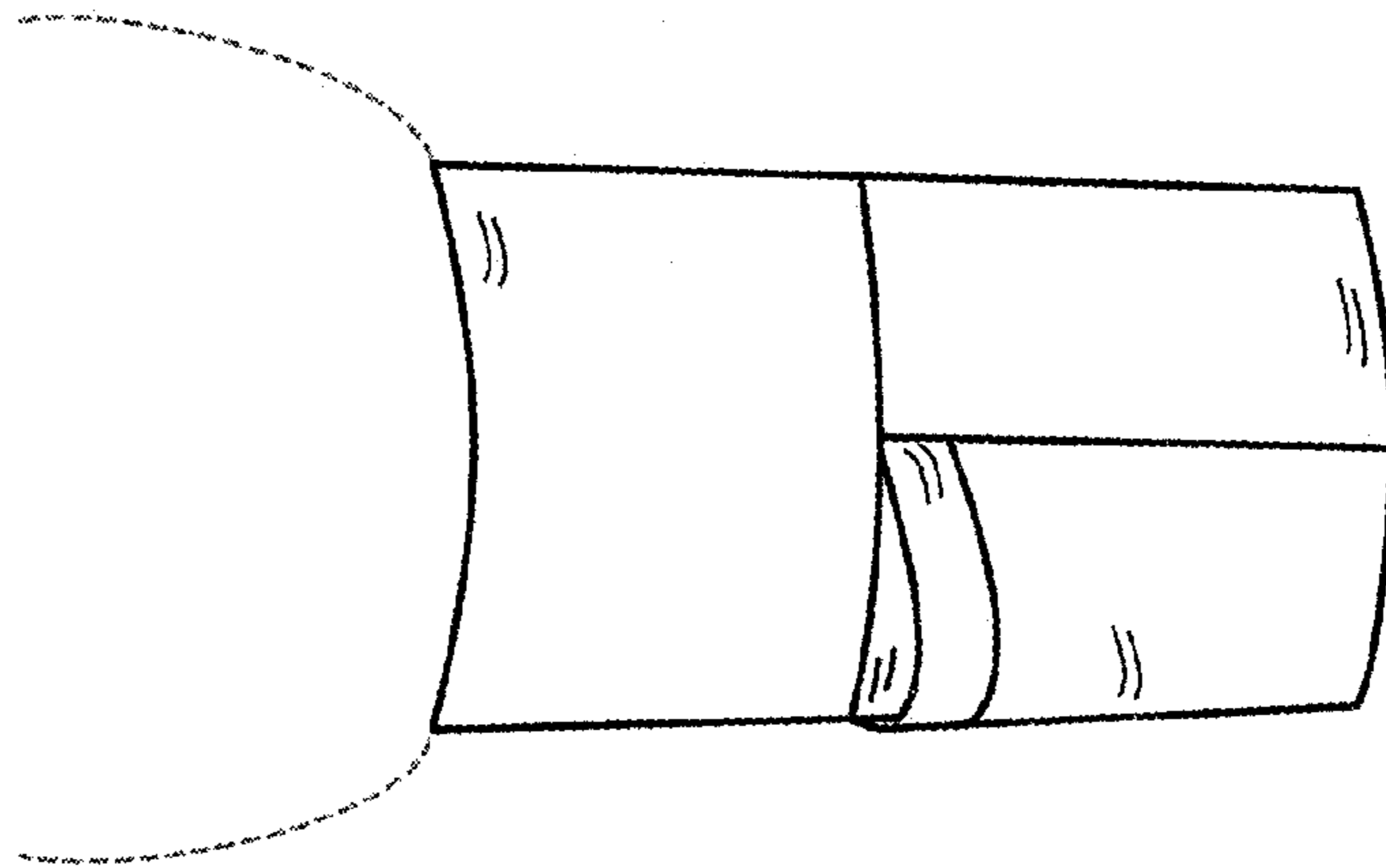


FIG. 3

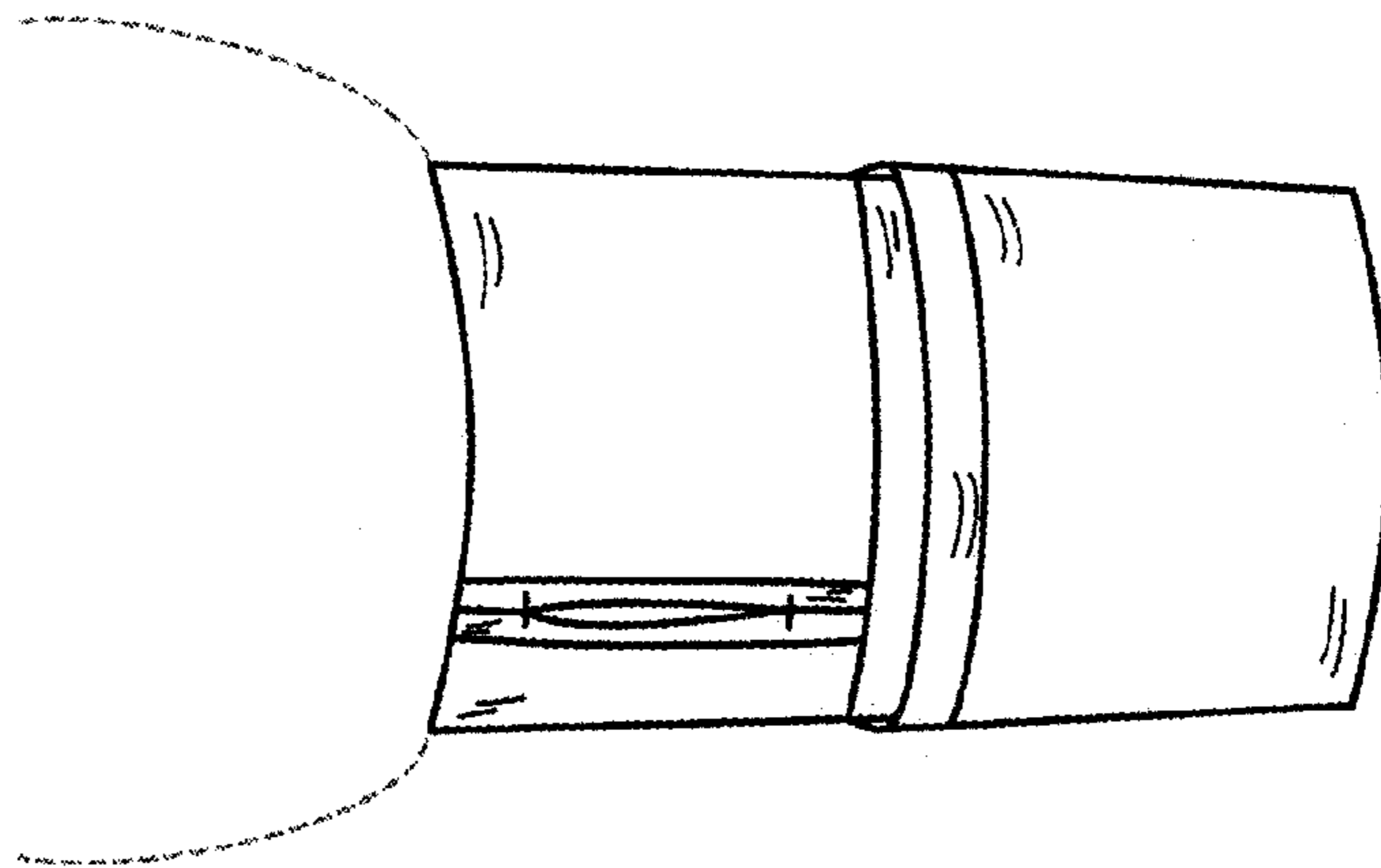


FIG. 4

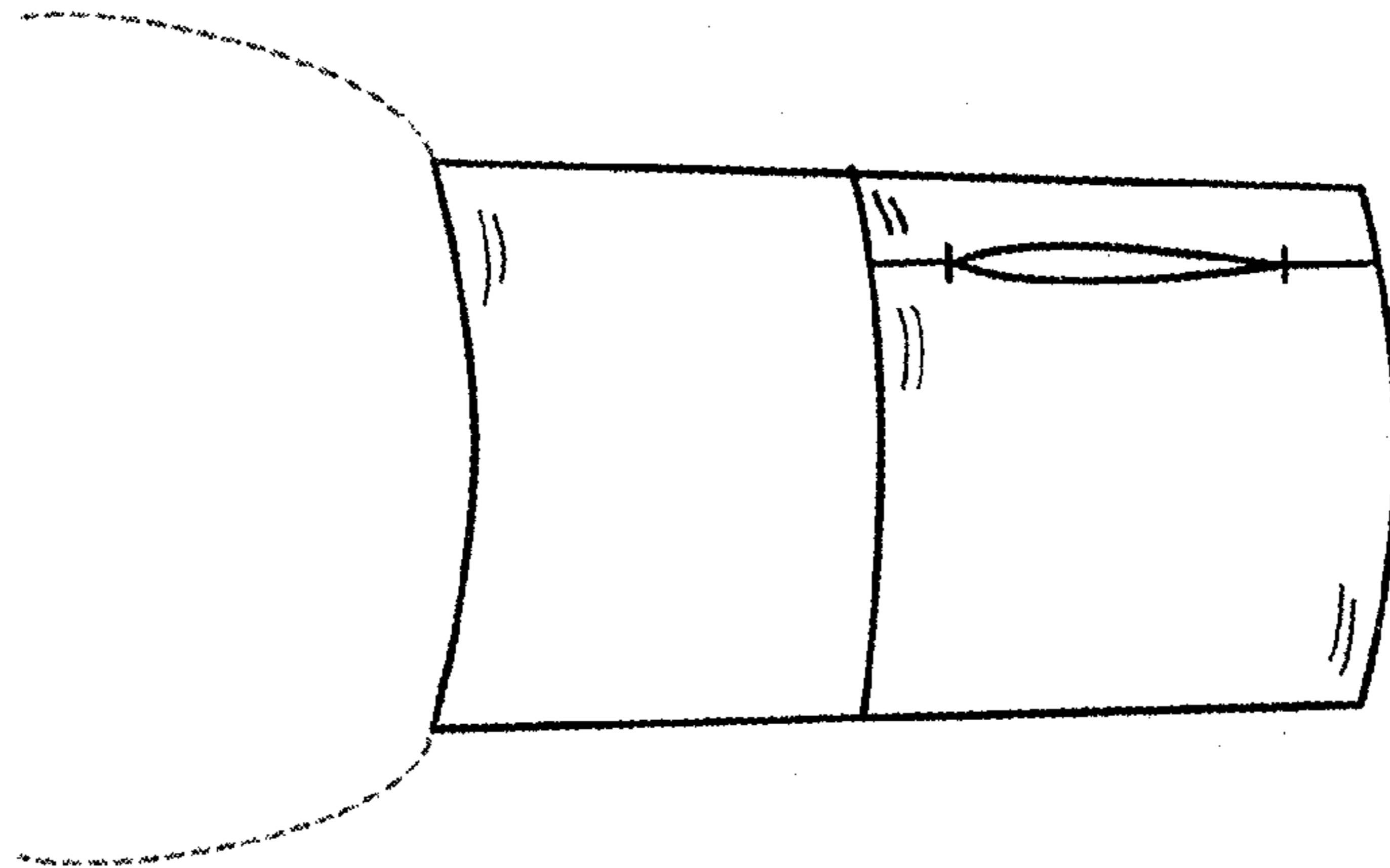


FIG. 5

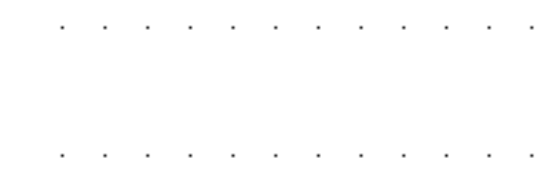
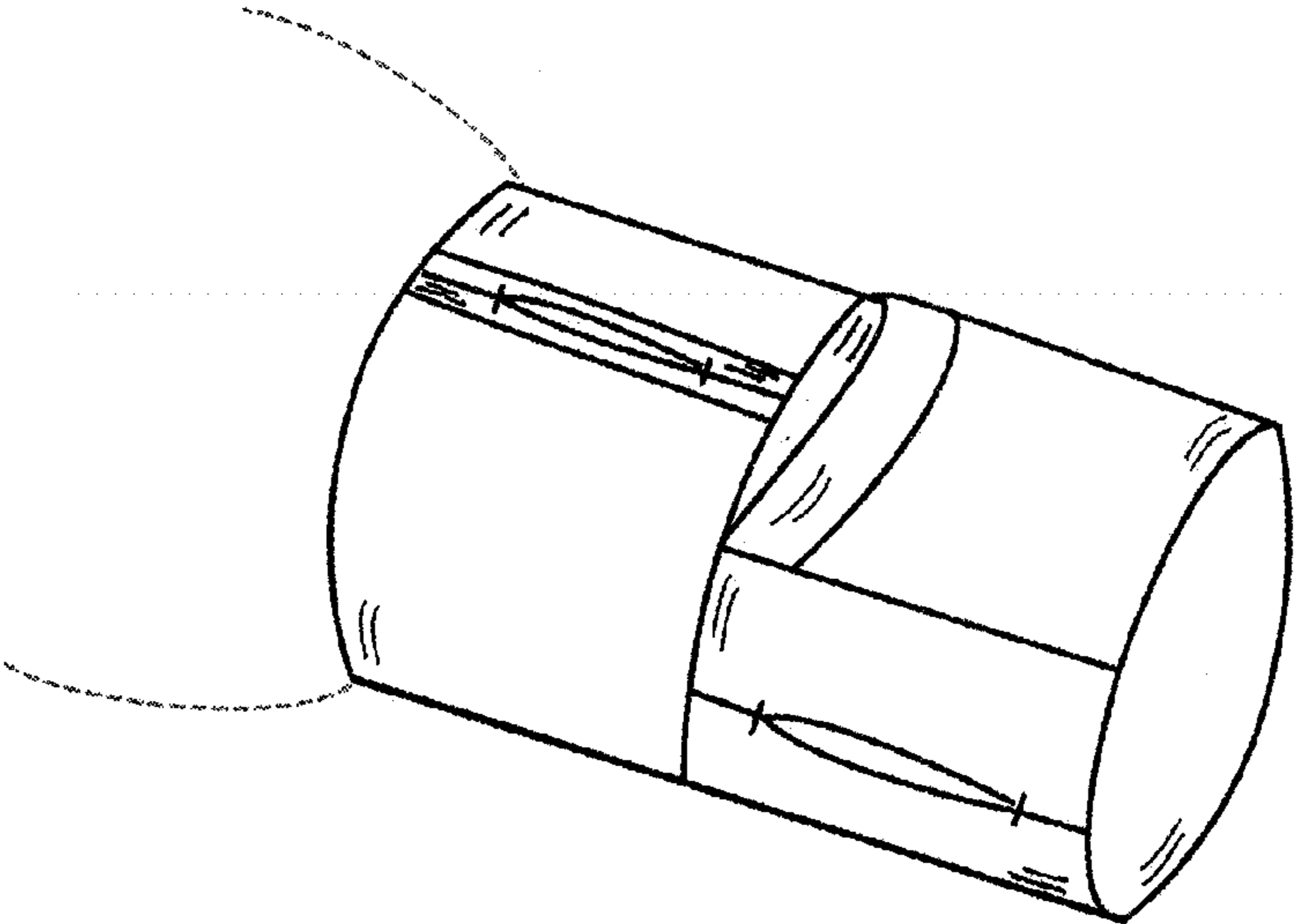


FIG. 6



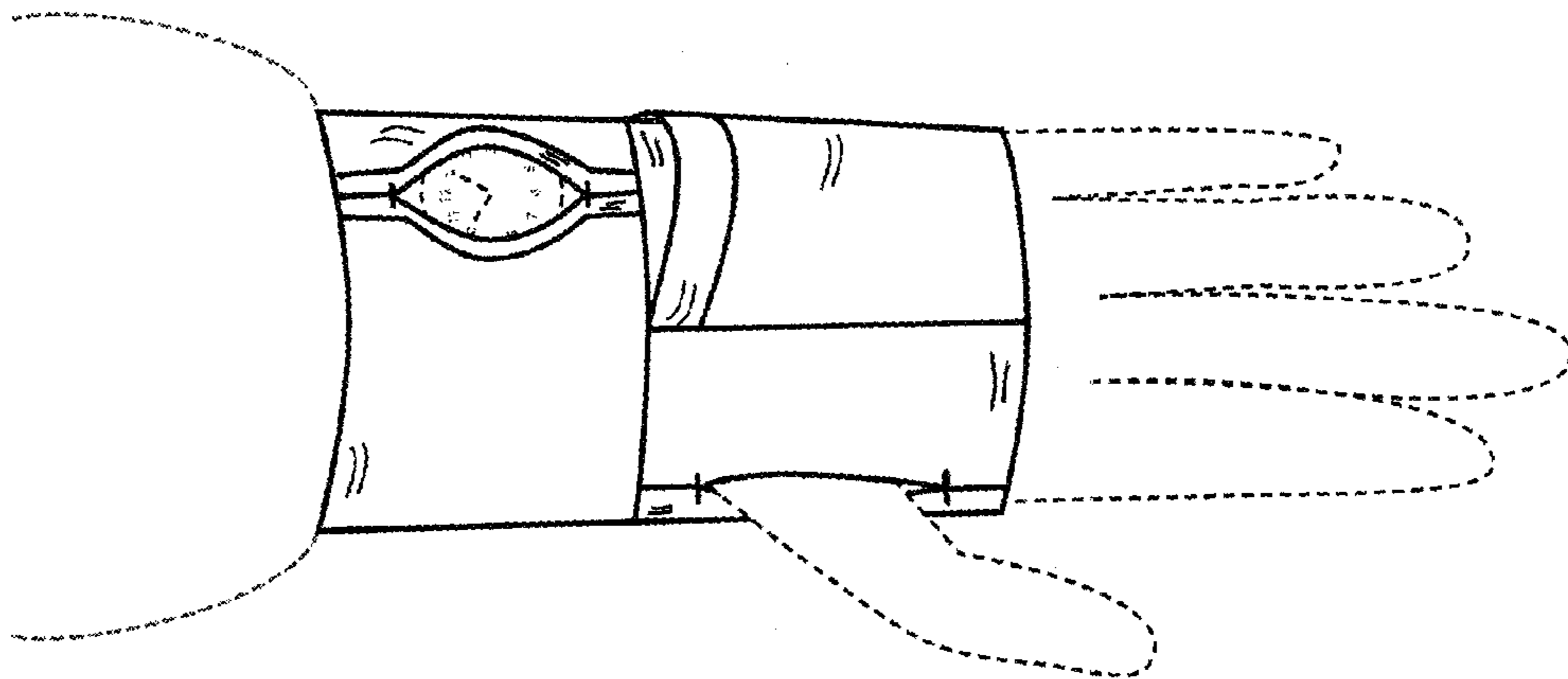


FIG. 7

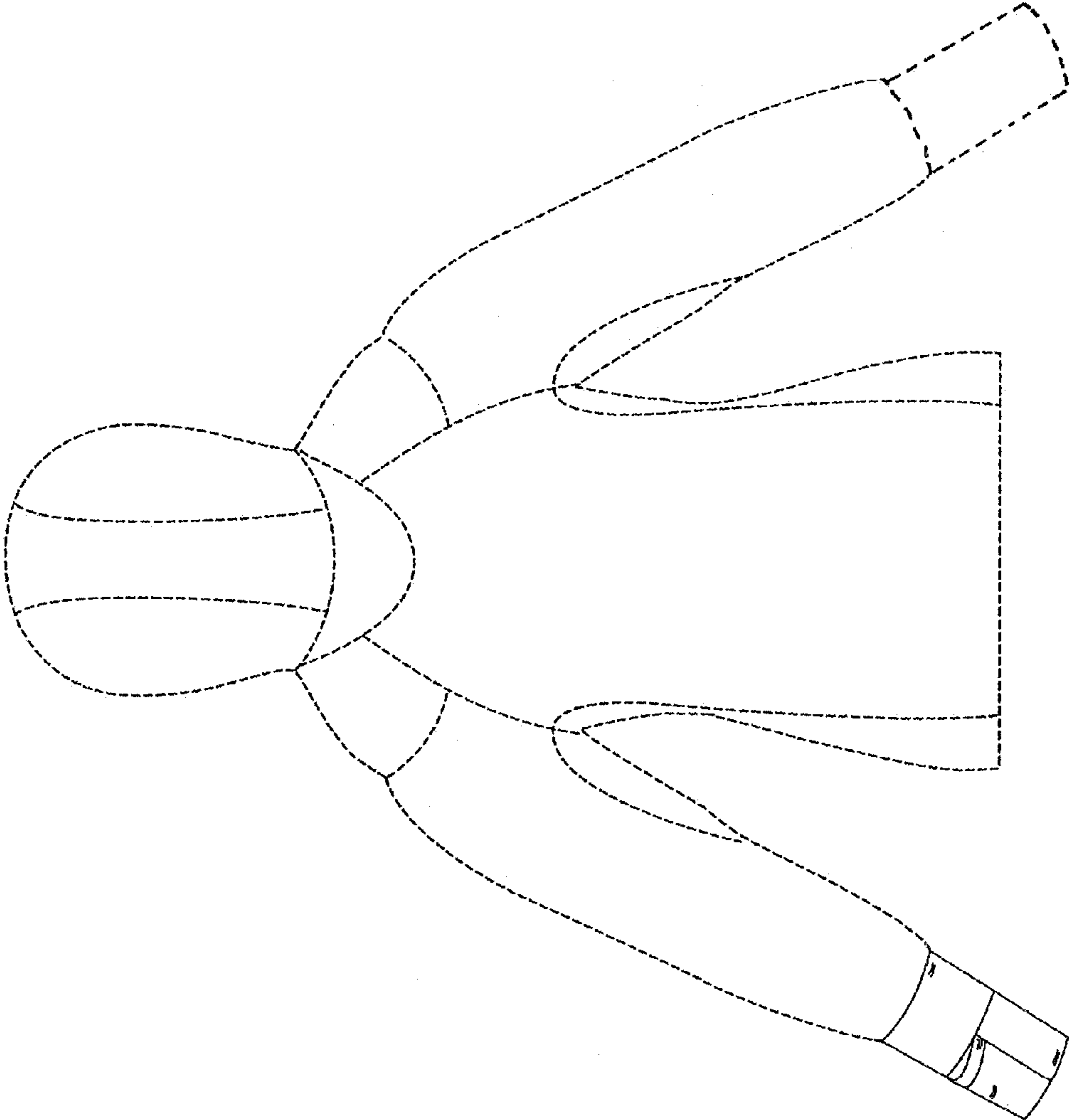


FIG. 8