



US00D764753S

(12) **United States Design Patent**
Tillman et al.

(10) **Patent No.:** **US D764,753 S**
(45) **Date of Patent:** **** Aug. 30, 2016**

- (54) **PANT WITH INTERIOR CUFFS**
- (71) Applicant: **TARGET BRANDS, INC.**,
Minneapolis, MN (US)
- (72) Inventors: **Stephanie C. Tillman**, Minneapolis,
MN (US); **Rachel E. Lindsey**, St. Paul,
MN (US)
- (73) Assignee: **Target Brands, Inc.**, Minneapolis, MN
(US)
- (**) Term: **14 Years**
- (21) Appl. No.: **29/498,003**
- (22) Filed: **Jul. 30, 2014**
- (51) **LOC (10) Cl.** **02-02**
- (52) **U.S. Cl.**
USPC **D2/742**
- (58) **Field of Classification Search**
USPC D2/712, 738, 742, 858, 704, 744, 853;
2/227, 228, 238, 911, 242, 115, 80,
2/233, 237, 60, 123, 124
CPC A41D 1/00; A41D 1/06; A41D 1/08;
A41D 1/088; A41D 1/067; A41D 1/12;
A41D 27/24; A41D 27/14
See application file for complete search history.

(56) **References Cited**

U.S. PATENT DOCUMENTS

1,143,282	A	6/1915	King	
1,652,750	A	12/1927	Wohlgemuth	
2,274,270	A	2/1942	Kalb	
2,480,276	A	* 8/1949	Wilkenfeld A41D 1/06 2/232
2,730,723	A	1/1956	Jonsson	
3,733,615	A	5/1973	Jaffee	
D370,552	S	6/1996	Erwin et al.	
6,141,802	A	11/2000	Drake	
6,158,057	A	12/2000	Neumann	
D459,056	S	6/2002	Serfontein	
D507,392	S	7/2005	Sieber	

D528,743 S 9/2006 MacMillan
D555,879 S 11/2007 MacMillan
D617,978 S * 6/2010 Aminpour D2/742

(Continued)

OTHER PUBLICATIONS

Office Action from Canadian Patent Application No. 159,585,
mailed Mar. 27, 2015 (2 pages).

(Continued)

Primary Examiner — Abraham Bahta

(74) *Attorney, Agent, or Firm* — Griffiths & Seaton PLLC;
JoAnn M. Seaton

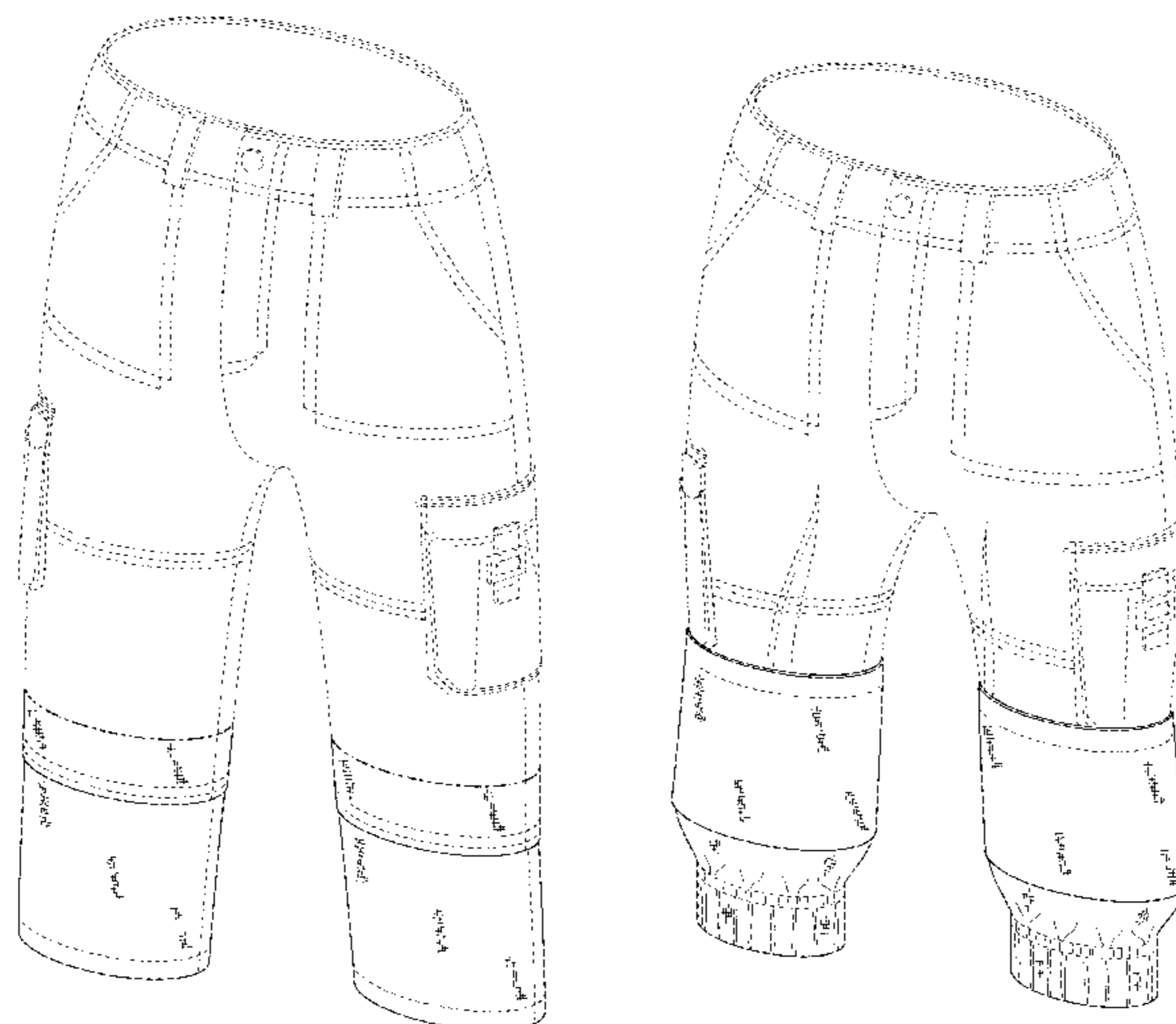
(57) **CLAIM**

The ornamental design for a pant with interior cuffs, as
shown and described.

DESCRIPTION

FIG. 1 is a front, perspective view of a pant with interior cuffs showing our new design;
 FIG. 2 is a front view thereof;
 FIG. 3 is a rear view thereof;
 FIG. 4 is a right side view thereof;
 FIG. 5 is a left side view thereof; and
 FIG. 6 is a bottom view thereof.
 FIG. 7 is front perspective view of the pant with interior cuffs of FIG. 1, with an outer layer of each of the pant leg, folded upwardly to reveal the interior cuffs;
 FIG. 8 is a front view thereof;
 FIG. 9 is a rear view thereof;
 FIG. 10 is a right side view thereof;
 FIG. 11 is a left side view thereof; and
 FIG. 12 is a bottom view thereof.
 The features shown in broken lines are seam lines and other portions of the pant with interior cuffs forming no part of the claimed design. The features shown in long dash-short dash bolded broken lines indicate the bounds of the claimed design and otherwise form no part of the claimed design.

1 Claim, 12 Drawing Sheets



(56)

References Cited

U.S. PATENT DOCUMENTS

D625,085	S	*	10/2010	Frase	D2/901
D672,936	S	*	12/2012	Hutton	D2/742
D679,483	S	*	4/2013	Fuerst	D2/742
D698,519	S	*	2/2014	Wahl	D2/742
D734,000	S	*	7/2015	Boyle	D2/742
D743,147	S	*	11/2015	Clark	D2/742
2012/0185998	A1		7/2012	Hagen		
2014/0007319	A1		1/2014	Kuhl		

OTHER PUBLICATIONS

“Play Pants”, printed from www.gap.com/browse/product.do?pid=949401012, publicly available at least as early as Feb. 11, 2014 (3 pages).

“Obermayer Frosty Suspender Snow Pants—Insulated”, printed from www.sierratradingpost.com/obermeyer-frosty-suspender-snow-pants~p~4676t/?filterString=infant-and-toddler~d~7085%2F&colorFamily=02, publicly available at least as early as Aug. 22, 2012 (4 pages).

“Pajama Leg Hack—How to Keep your Pant Legs from Riding Up”, printed from www.mesewcrazy.com/2014102/pajama-leg-hack-how-to-keep-your-pant-legs-from-riding-up.html, posted Feb. 28, 2014 (36 pages).

“Roburn-Drift Drift Kids Snowboard Pants”, printed from www.skis.com/Roburn-Drift-Drift-Kids-Snowboard-Pants/30884P,default,pd.html, publicly available at least as early as Apr. 17, 2014 (2 pages).

* cited by examiner

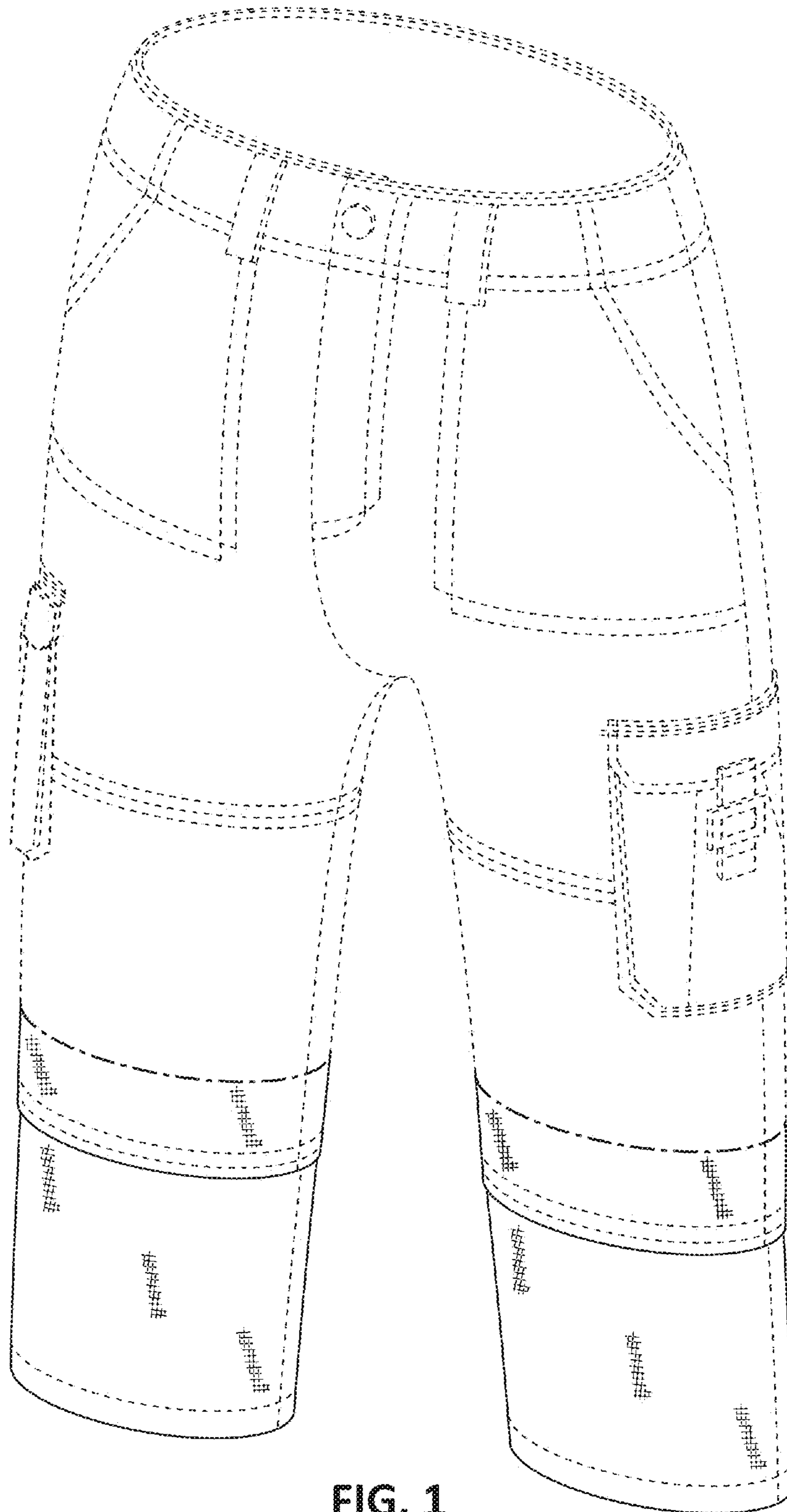


FIG. 1

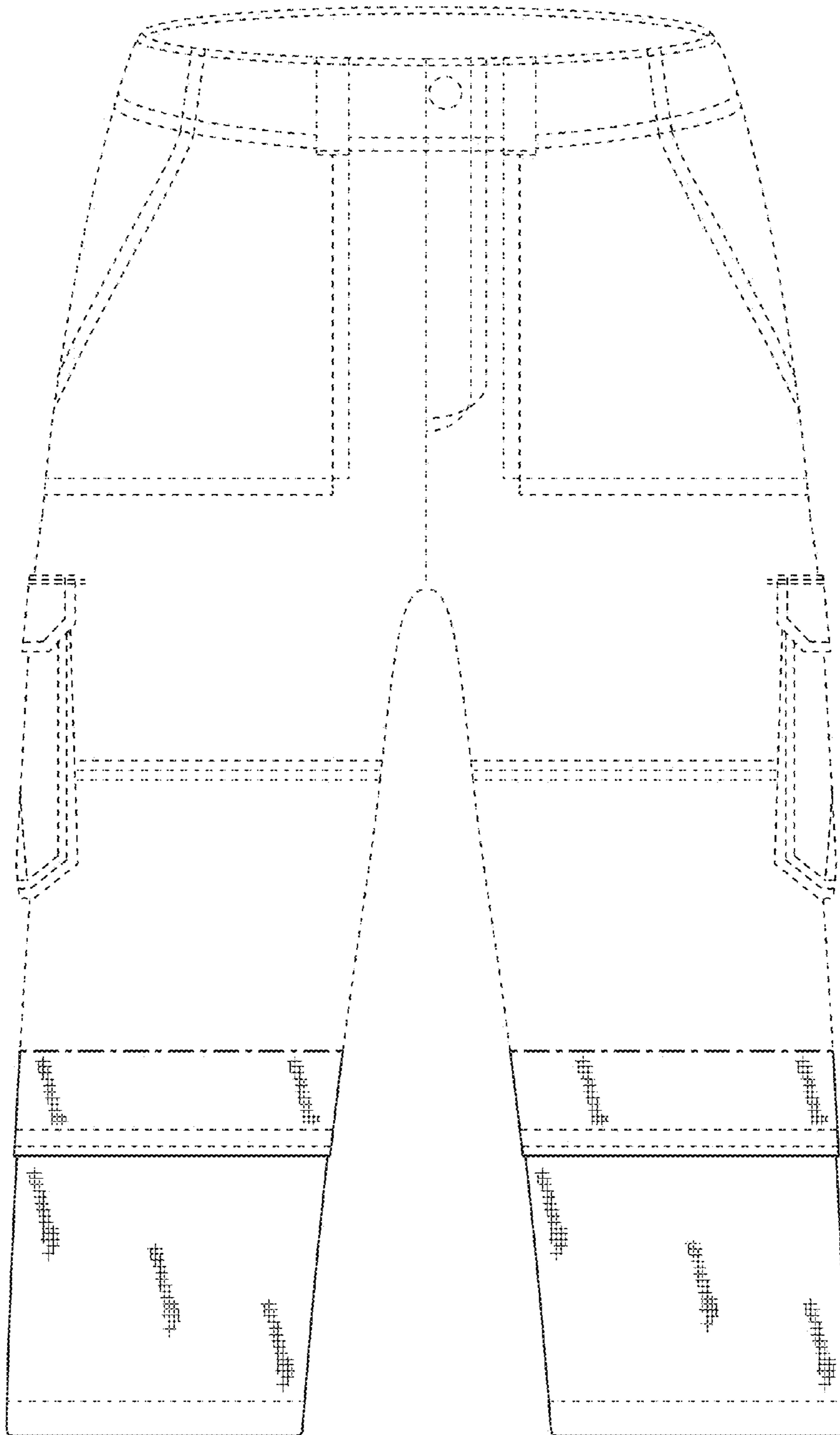


FIG. 2

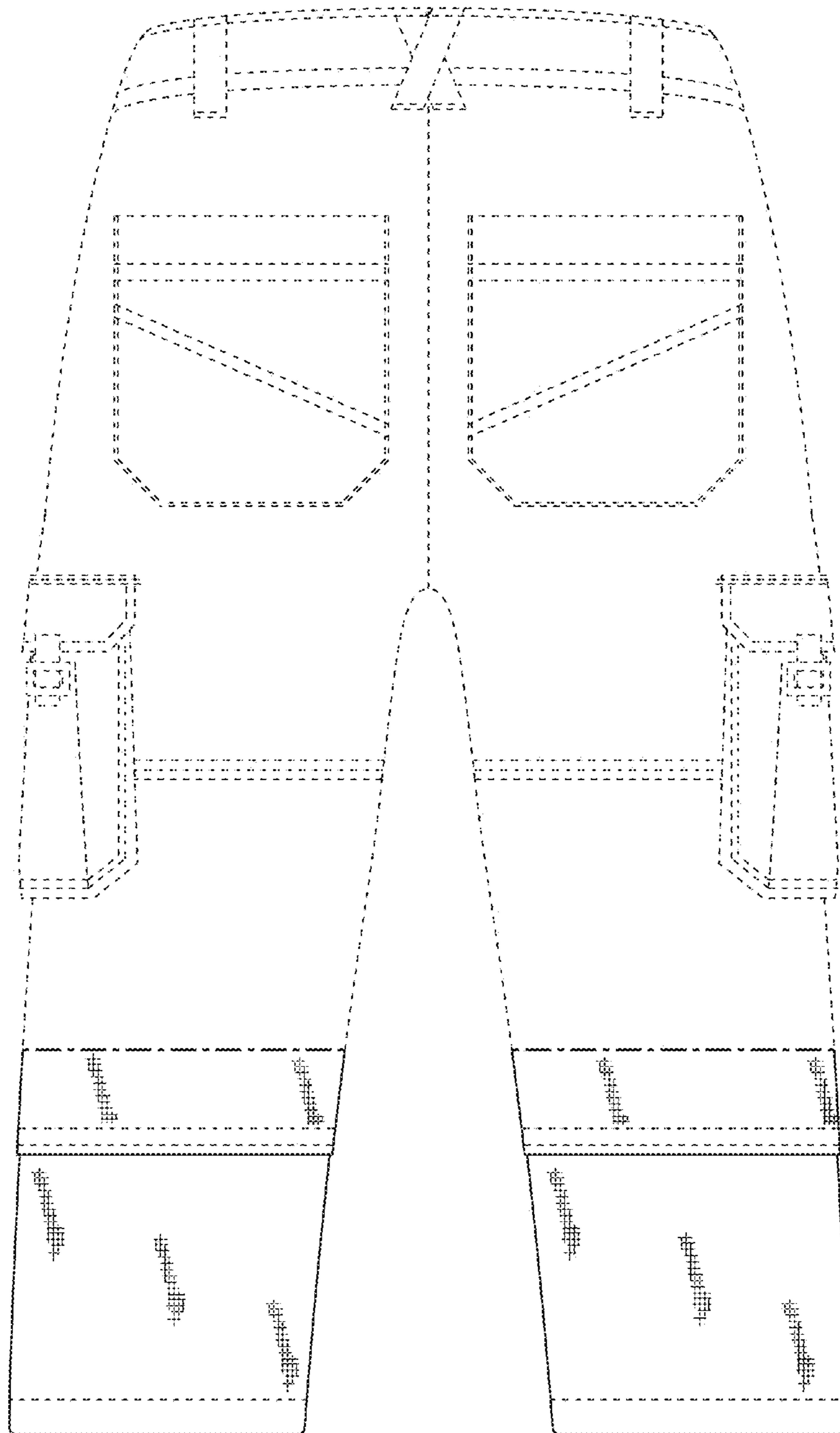


FIG. 3

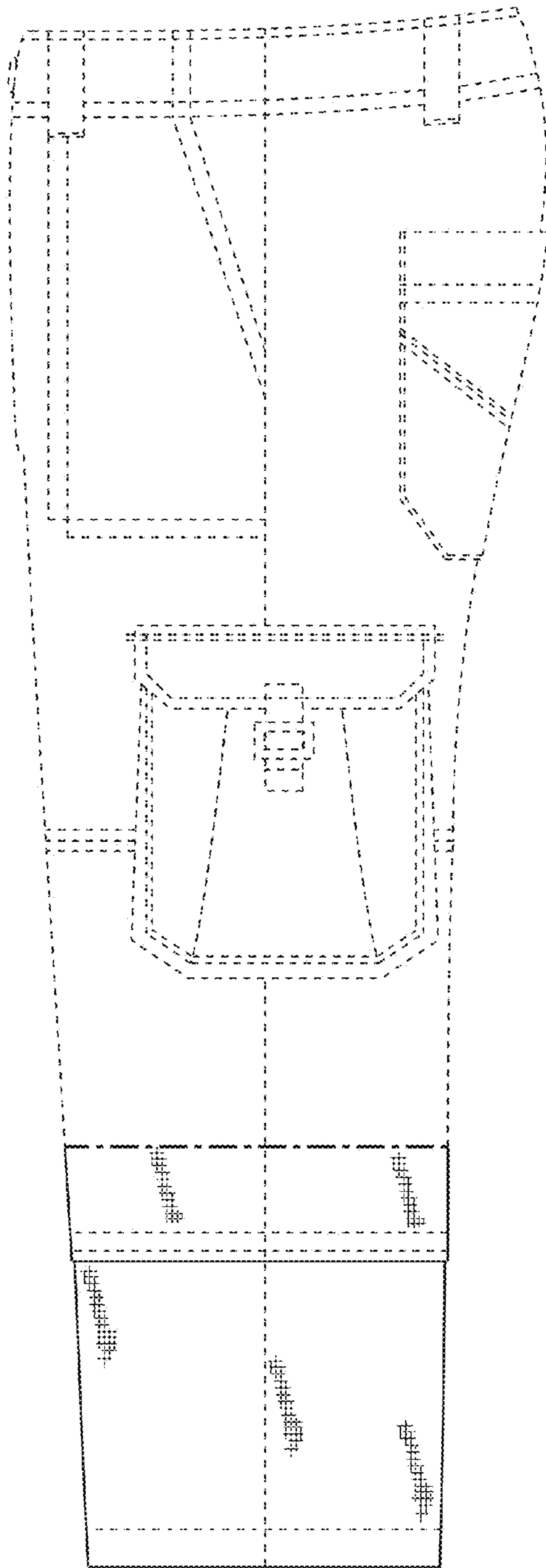


FIG. 4

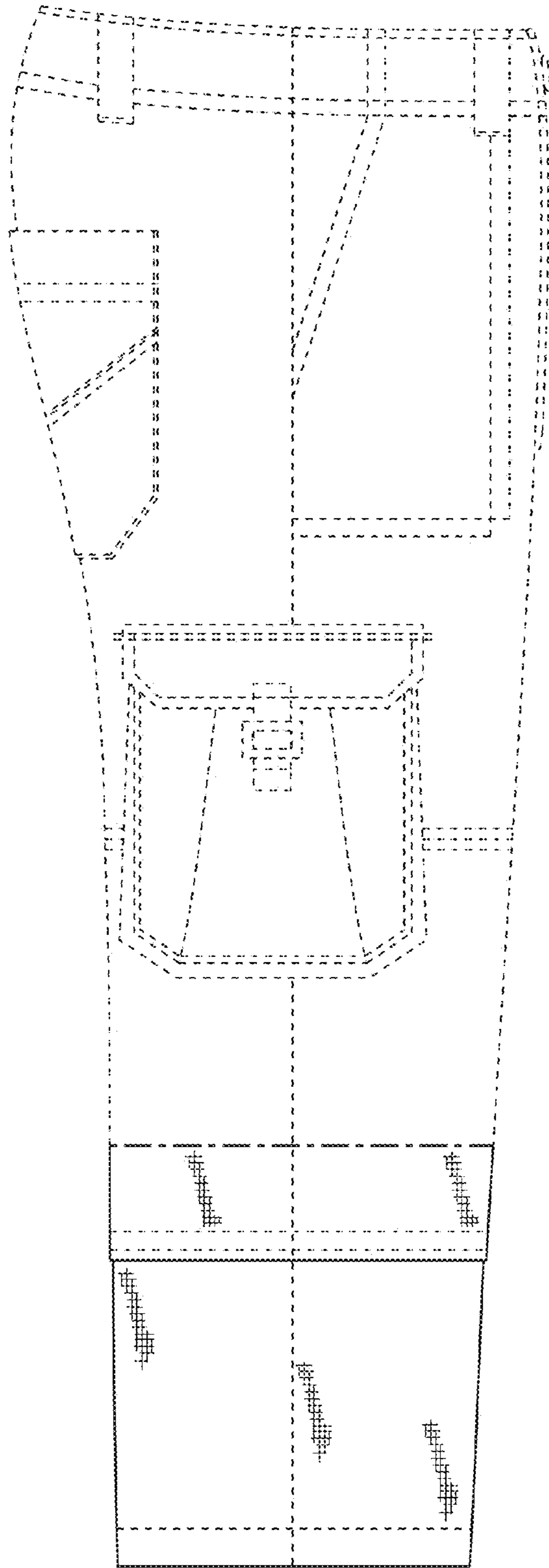


FIG. 5

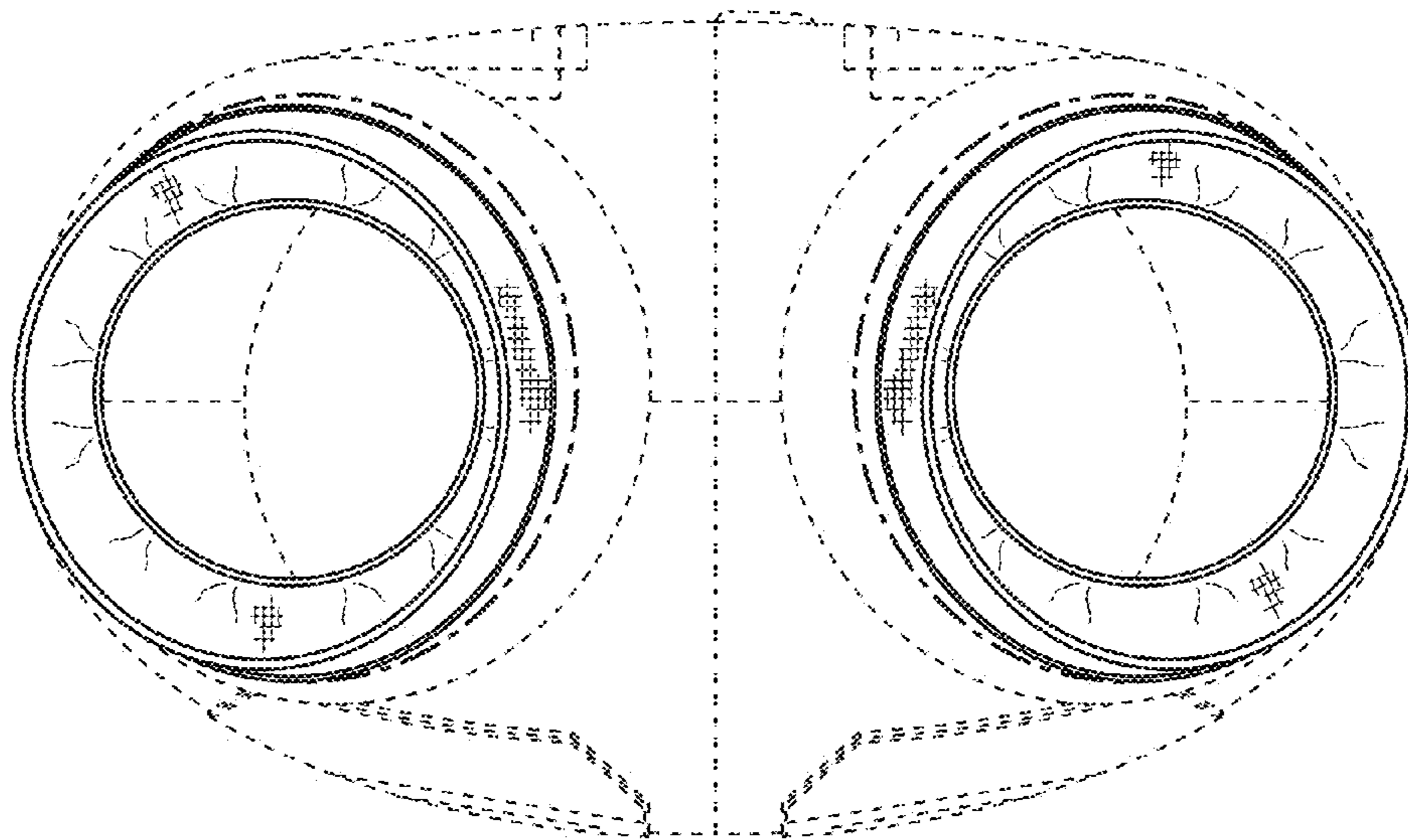


FIG. 6

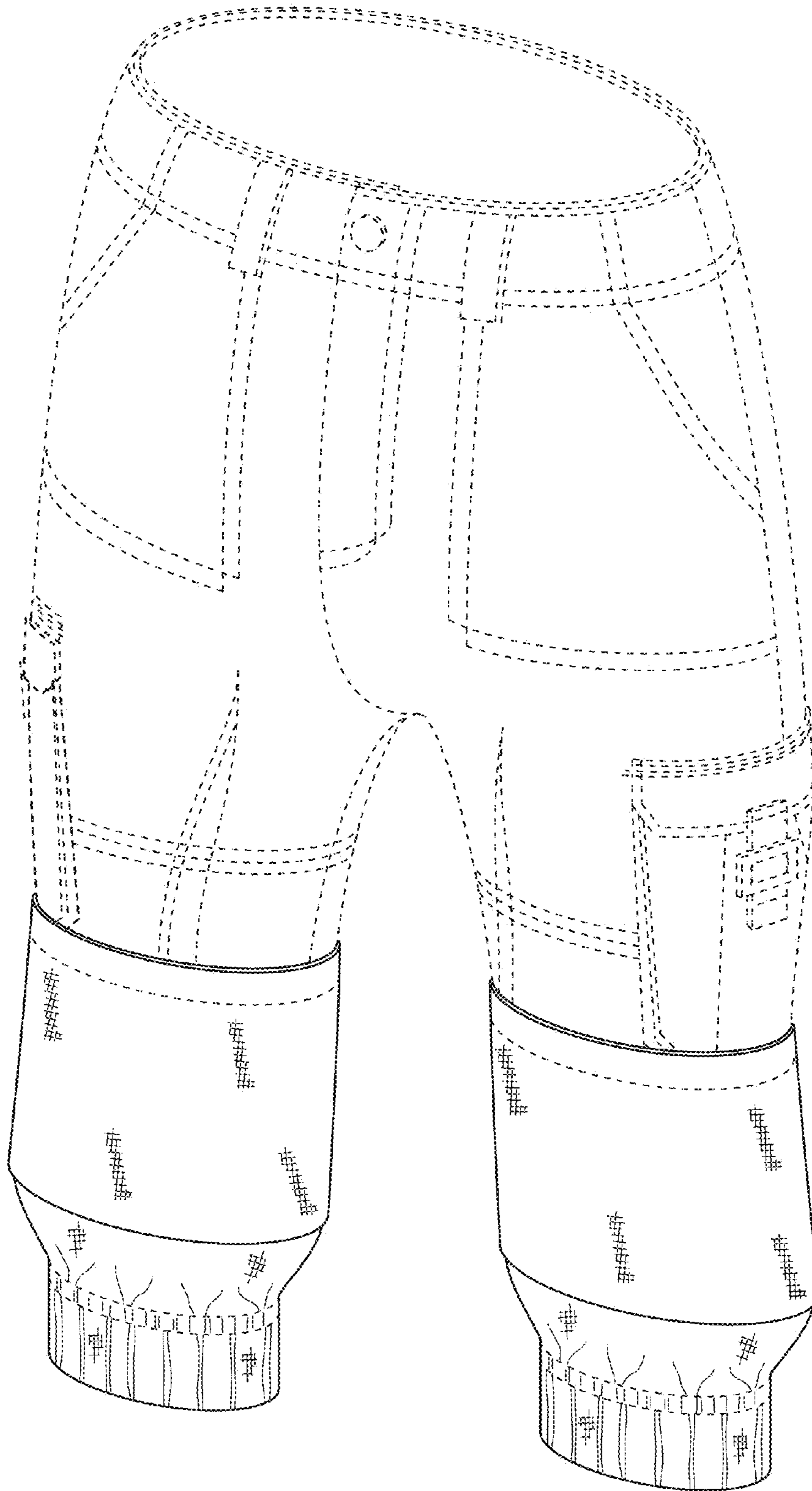


FIG. 7

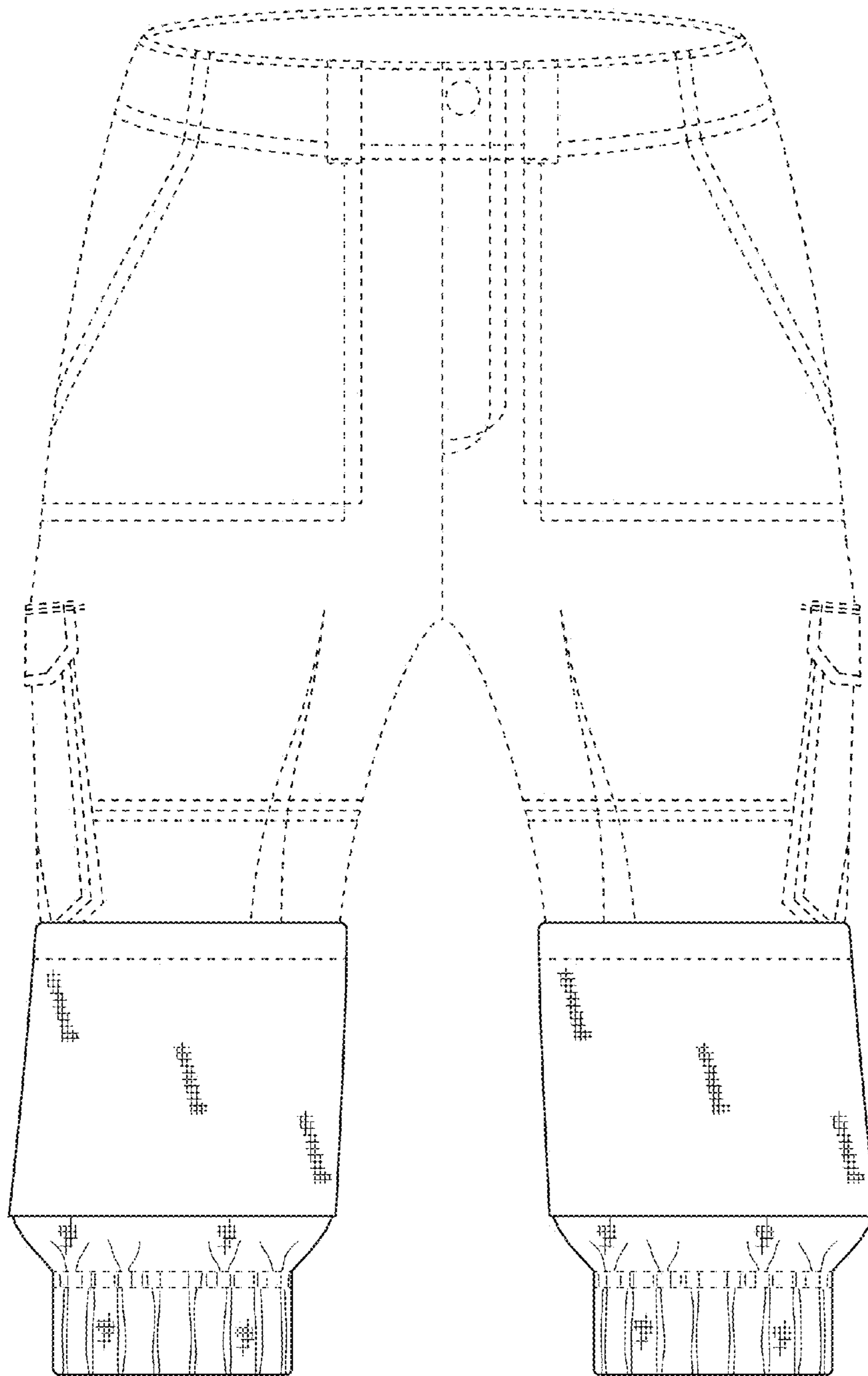


FIG. 8

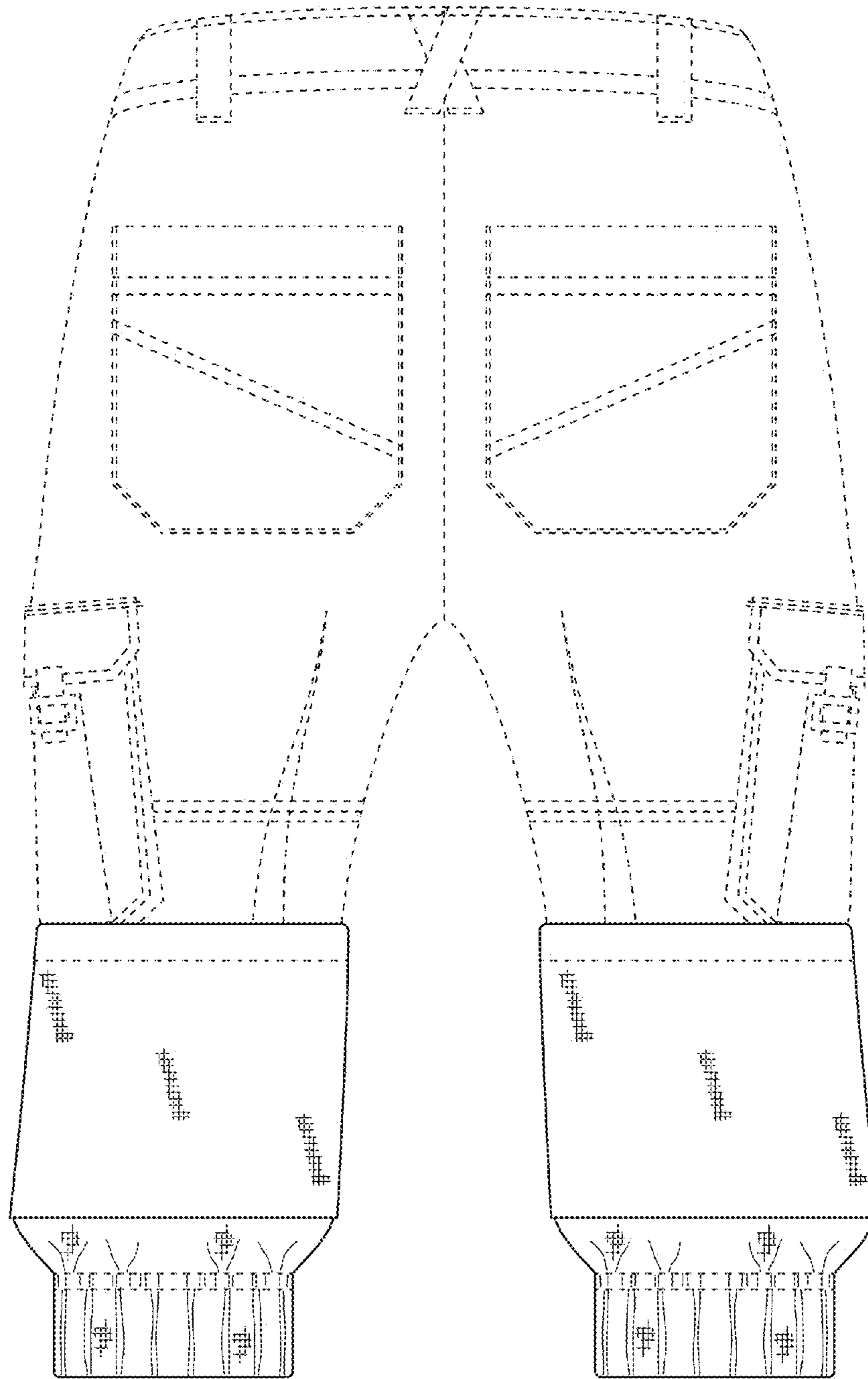


FIG. 9

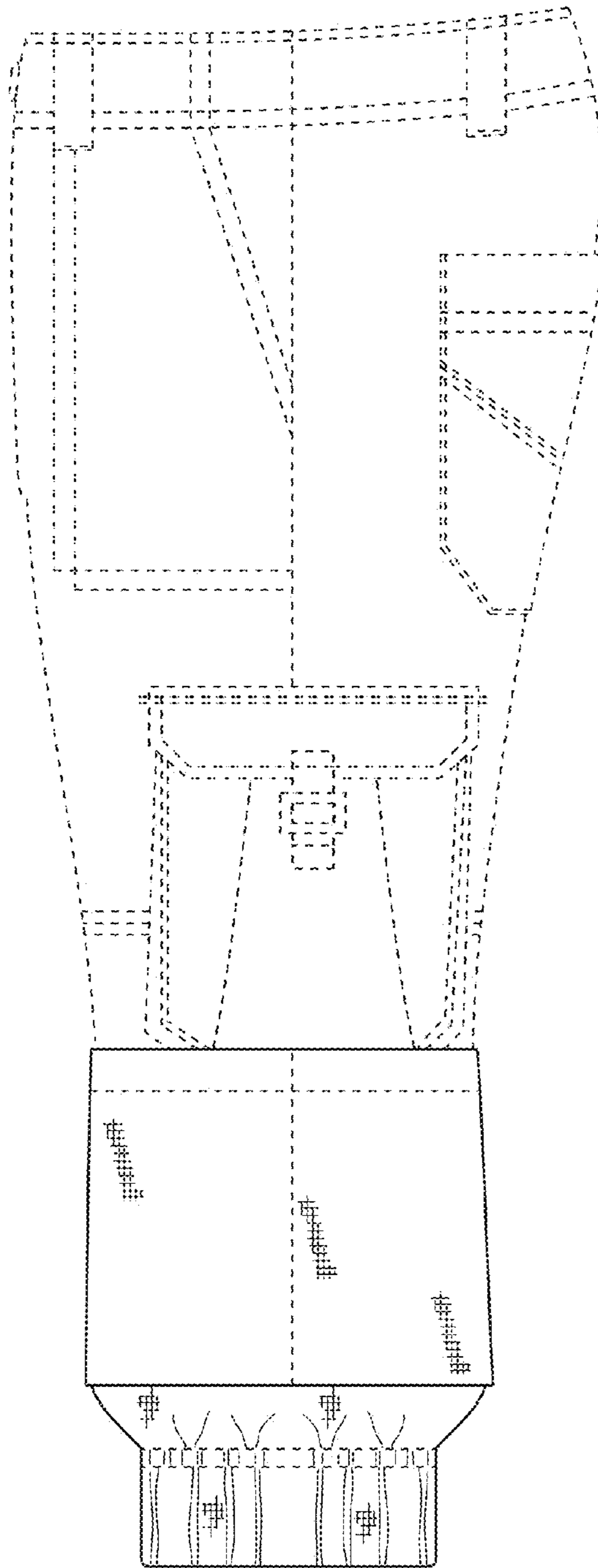


FIG. 10

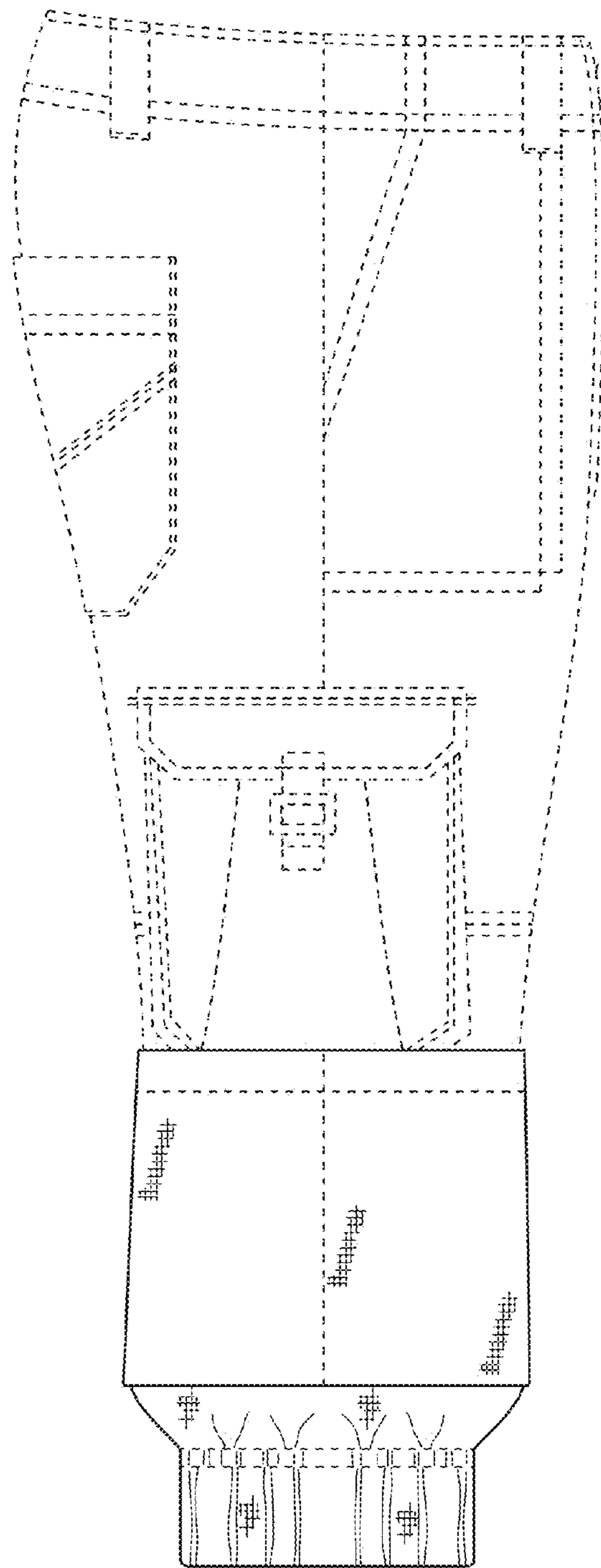


FIG. 11

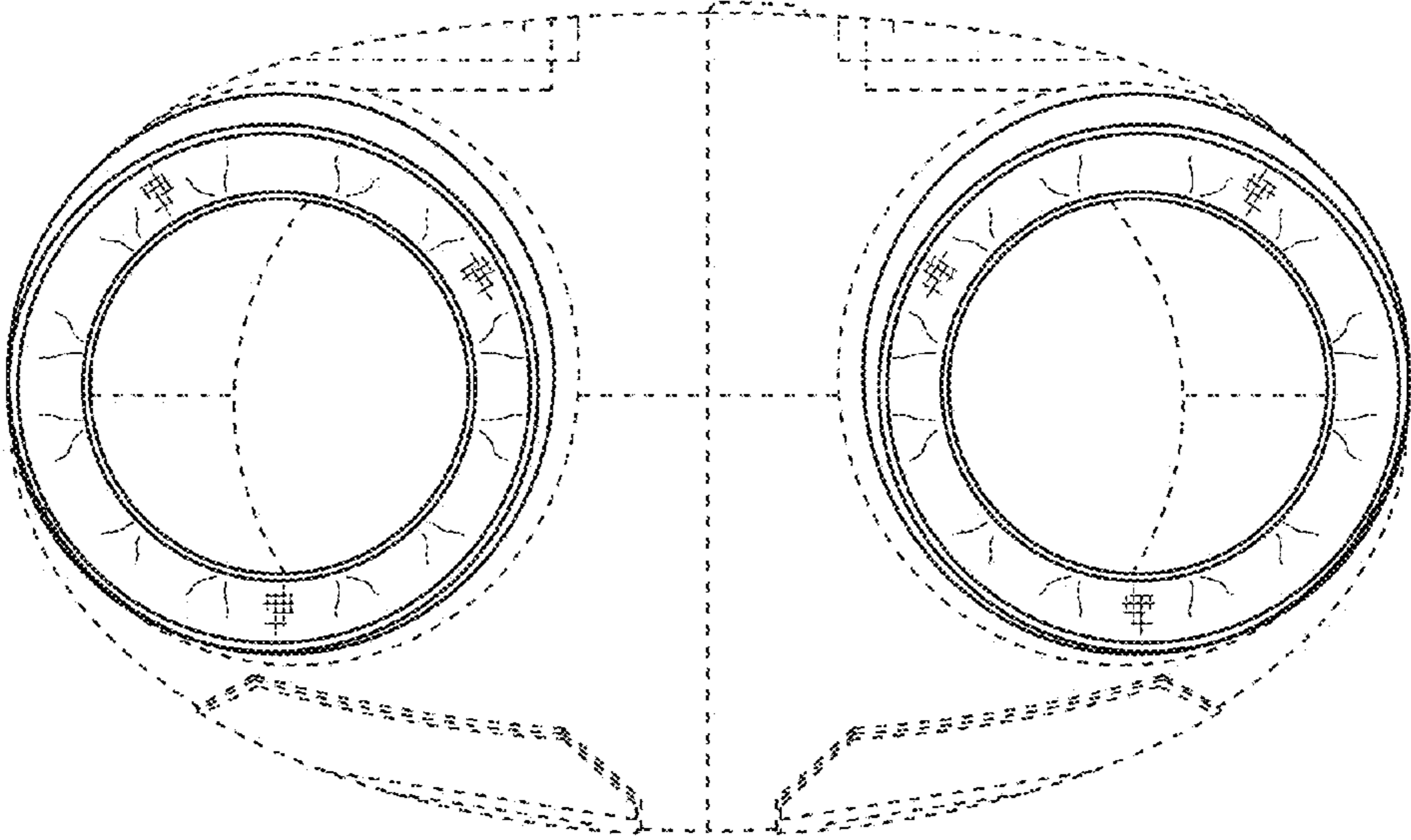


FIG. 12