



US00D764751S

(12) **United States Design Patent**
Pettit et al.

(10) **Patent No.:** **US D764,751 S**

(45) **Date of Patent:** **** Aug. 30, 2016**

(54) **CHEF COAT**

(71) Applicants: **Edena Pettit**, Innisfil (CA); **Amanda Adams**, Barrie (CA)

(72) Inventors: **Edena Pettit**, Innisfil (CA); **Amanda Adams**, Barrie (CA)

(**) Term: **14 Years**

(21) Appl. No.: **29/486,156**

(22) Filed: **Mar. 26, 2014**

(51) **LOC (10) Cl.** **02-02**

(52) **U.S. Cl.**
USPC **D2/739**

(58) **Field of Classification Search**

USPC D2/823–824, 828–829, 728, 860–864,
D2/720, 724, 725, 750, 833, 839, 840, 847,
D2/858, 739, 741; 2/46, 48, 49.4–51, 88,
2/69, 80, 50, 90, 93, 87, 102, 108,
2/115–116, 125, 96
CPC A41D 1/00; A41D 1/02; A41D 1/04;
A41D 3/04; A41D 3/08; A41D 3/00; A41D
3/02; A41D 13/00; A41D 13/0002; A41D
13/0012; A41D 13/02; A41D 13/11; A41D
13/12; A41D 13/1209; A41D 2600/20;
A41D 2600/202

See application file for complete search history.

(56) **References Cited**

U.S. PATENT DOCUMENTS

776,440 A * 11/1904 Underdown A41D 3/04
2/87
D157,696 S * 3/1950 Paque D2/839

D294,305 S * 2/1988 Meek 2/94
D662,285 S * 6/2012 Rushworth D2/833
D679,889 S * 4/2013 Kinder D2/739
D694,992 S * 12/2013 Farron D2/828
D702,920 S * 4/2014 Chaney D2/739
D743,148 S * 11/2015 Hanlon D2/860

* cited by examiner

Primary Examiner — Abraham Bahta

(74) *Attorney, Agent, or Firm* — Ledgeley Law; Cynthia J. Ledgeley

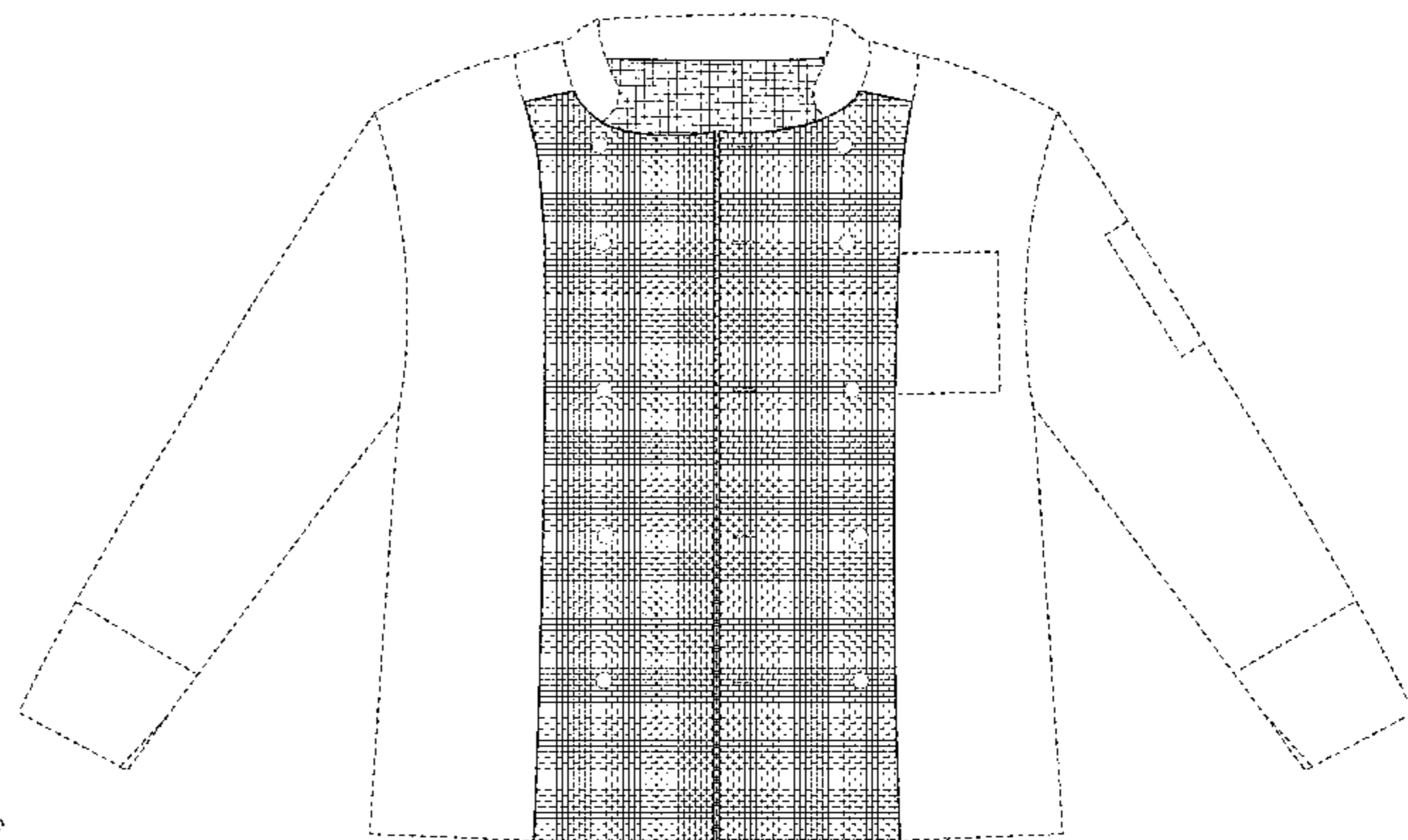
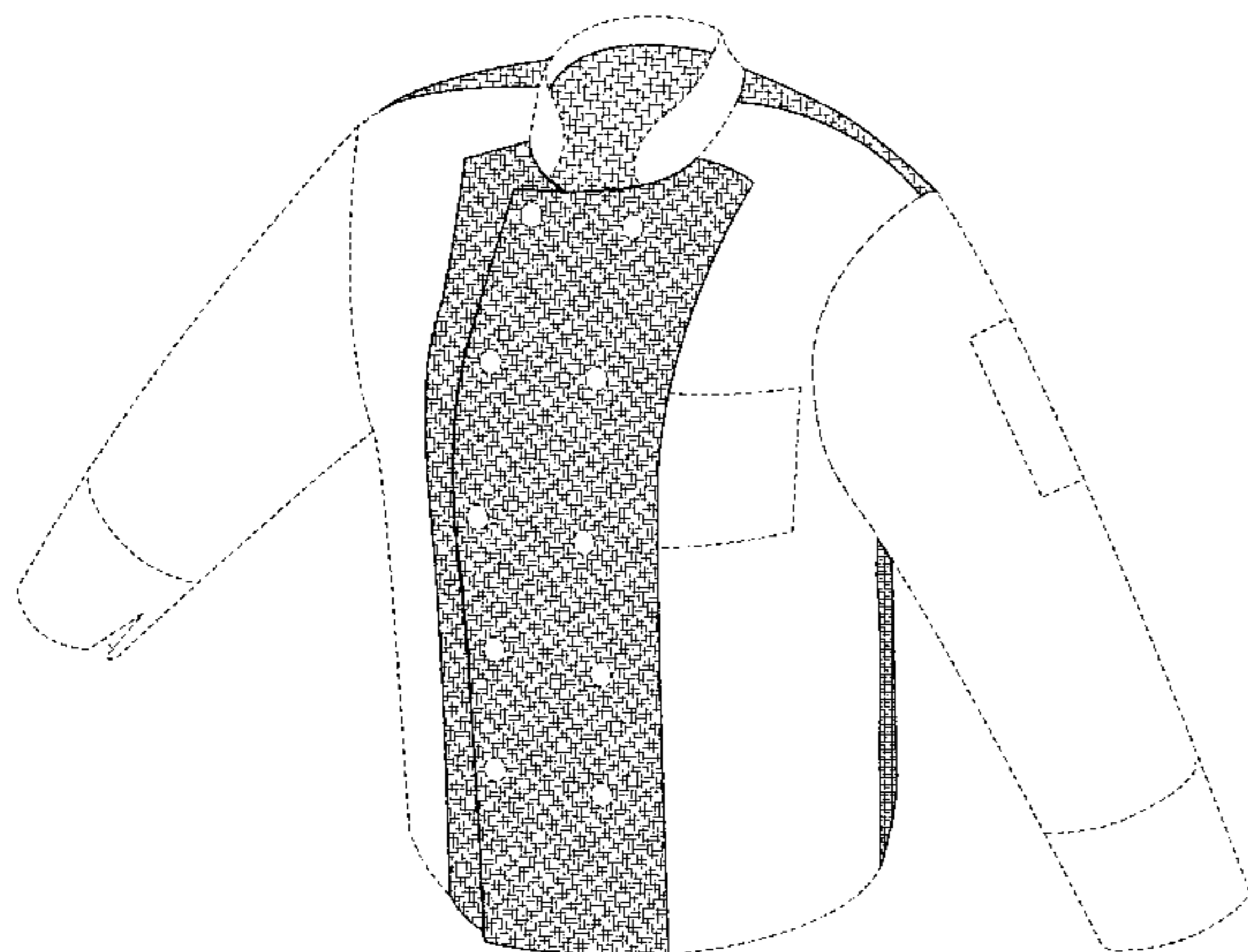
(57) **CLAIM**

We claim the ornamental design for a chef coat, as shown and described.

DESCRIPTION

FIG. 1 is a front perspective view of a chef coat;
FIG. 2 is a rear perspective view of the chef coat shown in FIG. 1;
FIG. 3 is a left side view of the chef coat shown in FIG. 1;
FIG. 4 is a right side view of the chef coat shown in FIG. 1;
FIG. 5 is a front view of the chef coat shown in FIG. 1;
FIG. 6 is a rear view of the chef coat shown in FIG. 1;
FIG. 7 is a top view of the chef coat shown in FIG. 1;
FIG. 8 is a front perspective view of the chef coat in an open configuration; and,
FIG. 9 is a front view of the chef coat in an open configuration.
The differences in cross-hatching indicate a contrast in appearance. The different cross-hatching does not indicate specific colours, materials or patterns. The portion shown in broken lines does not form part of the claimed design.

1 Claim, 8 Drawing Sheets



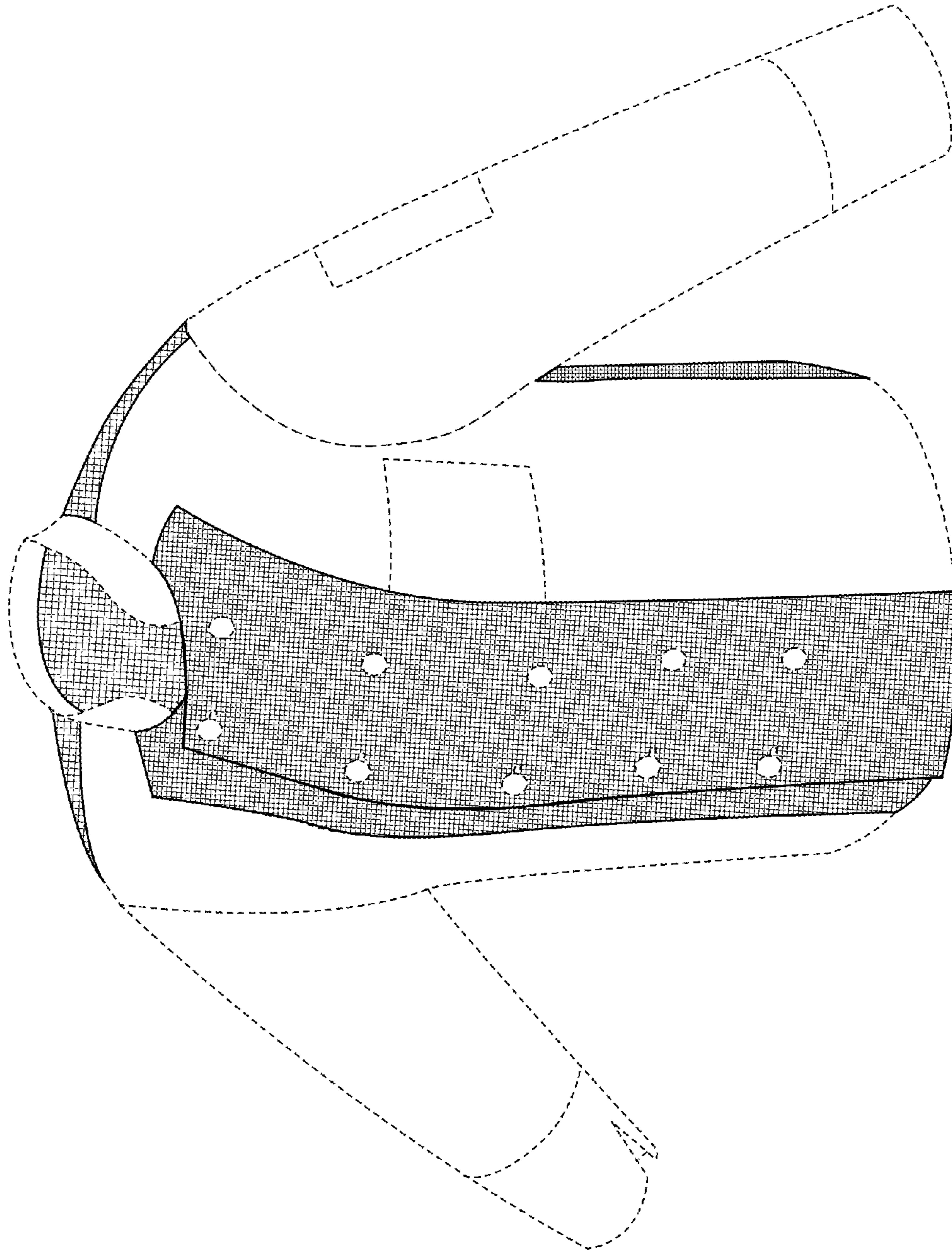


FIG. 1

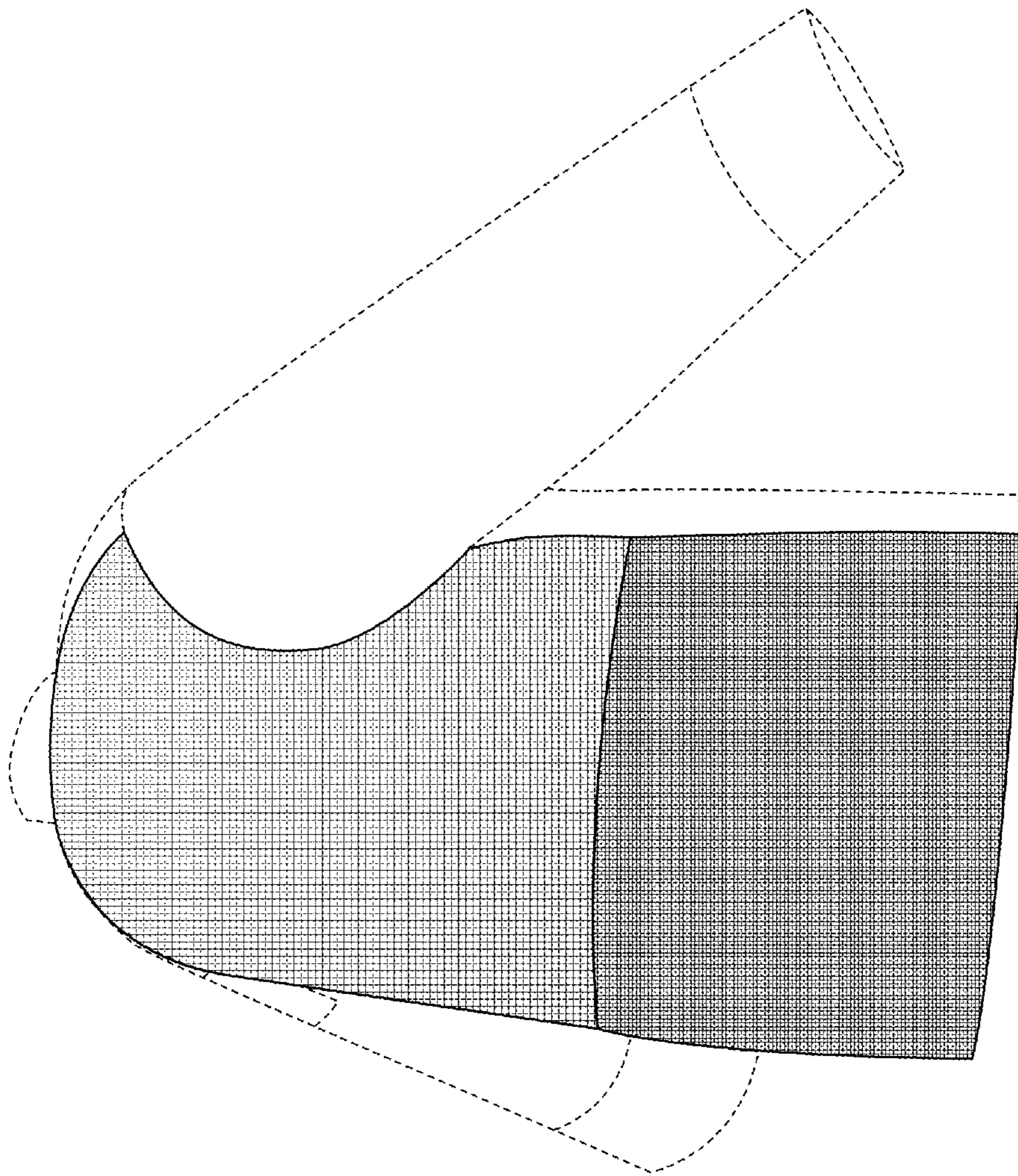


FIG. 2

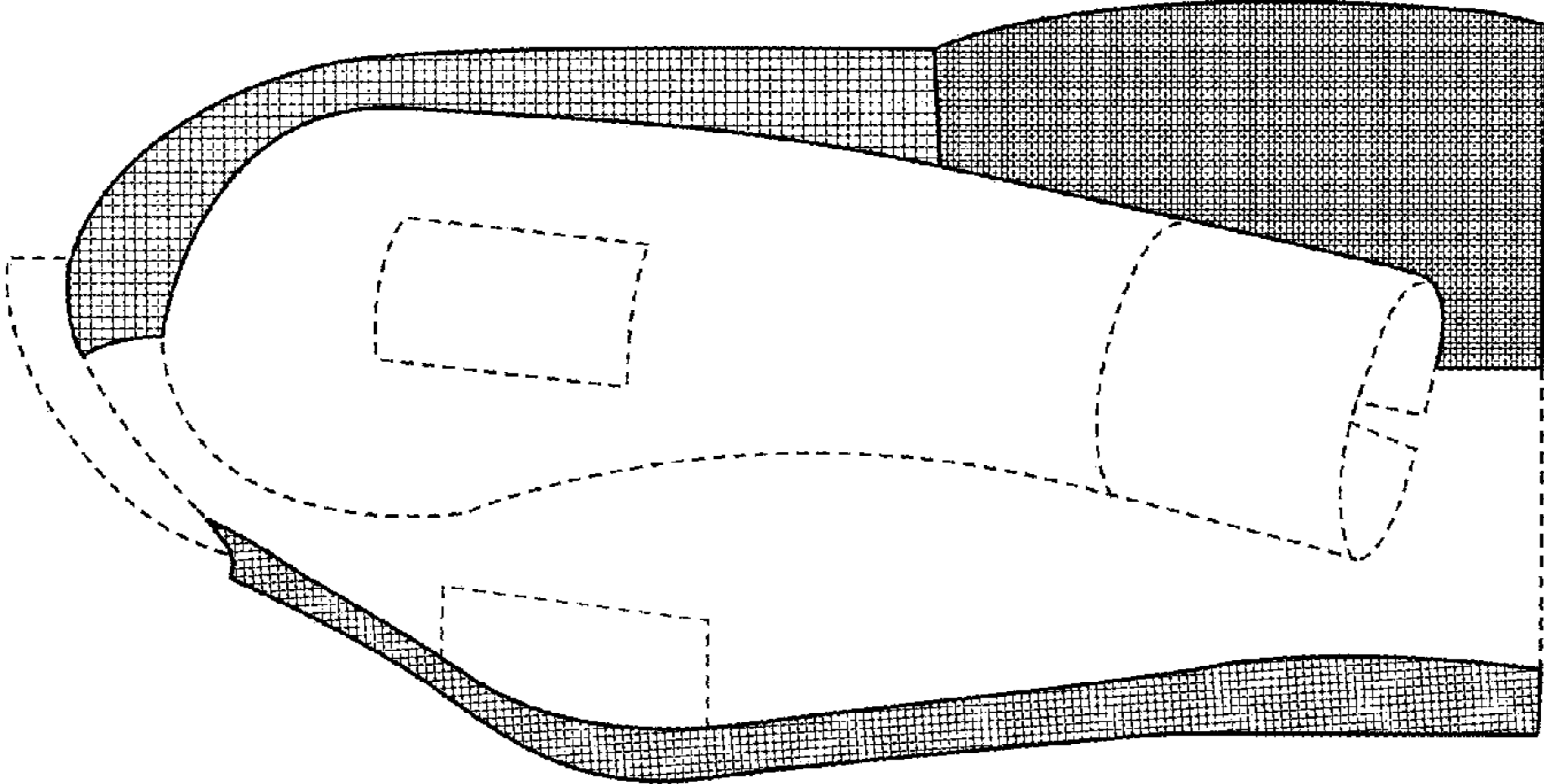


FIG. 4

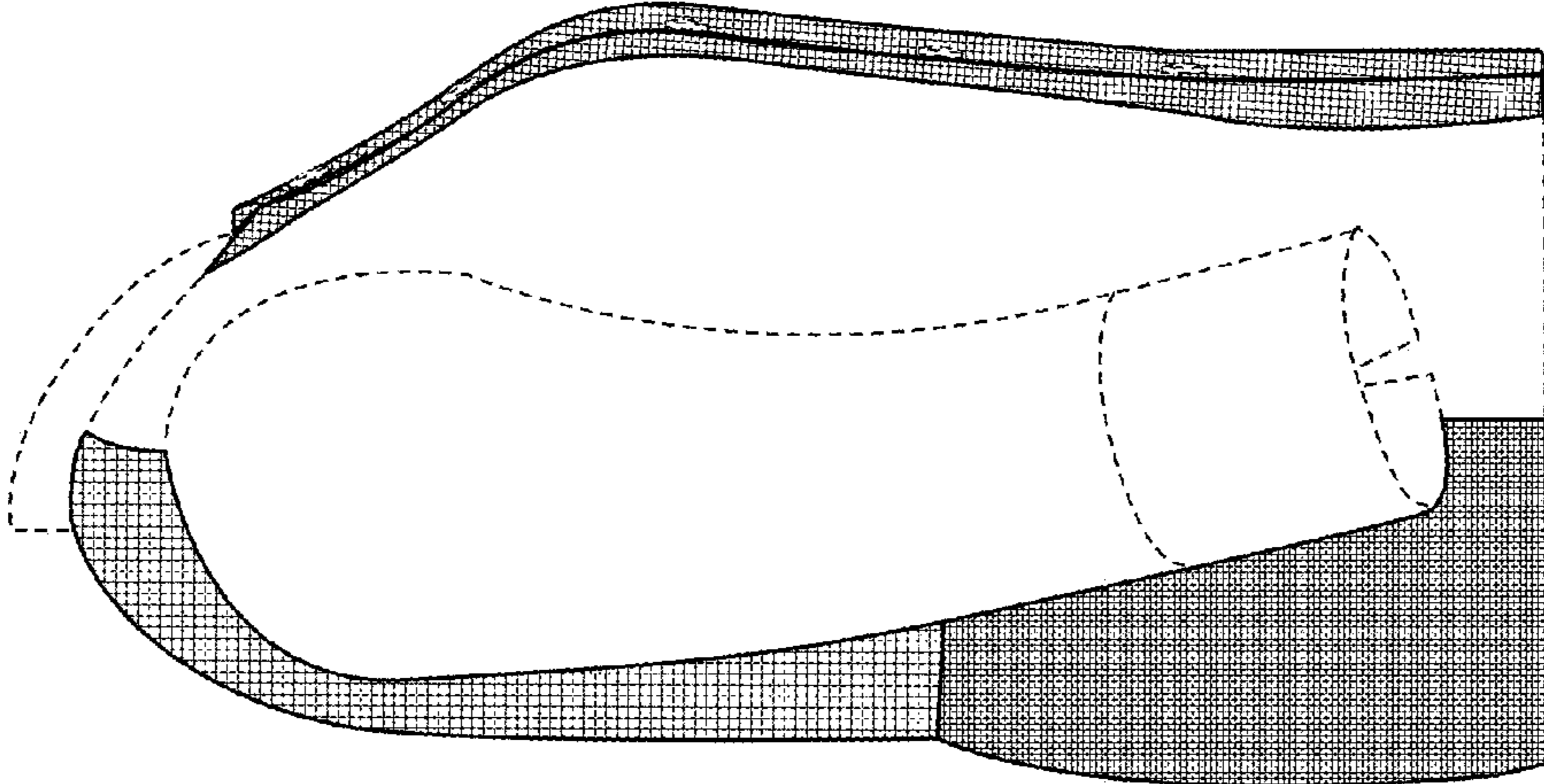


FIG. 3

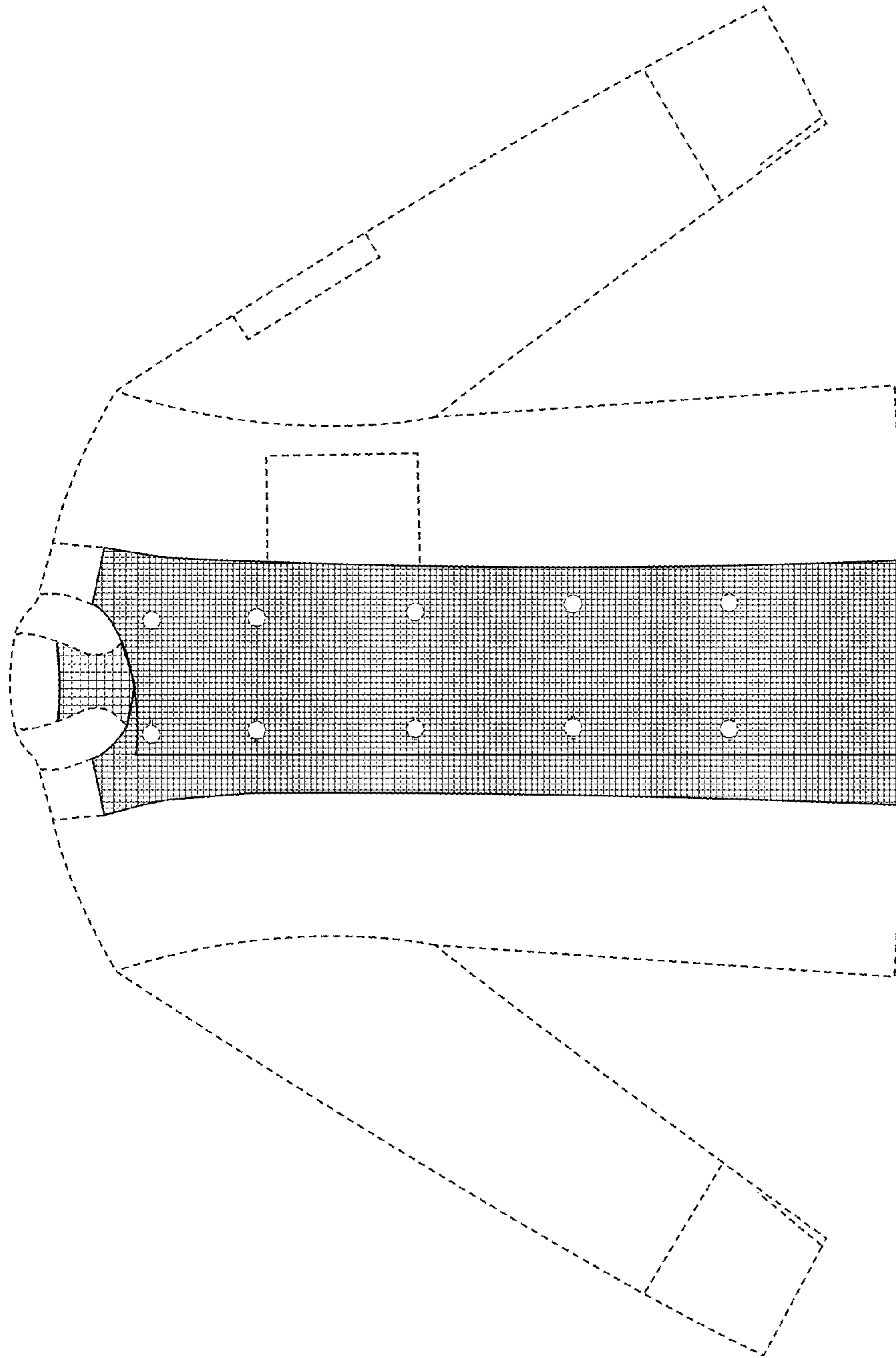


FIG. 5

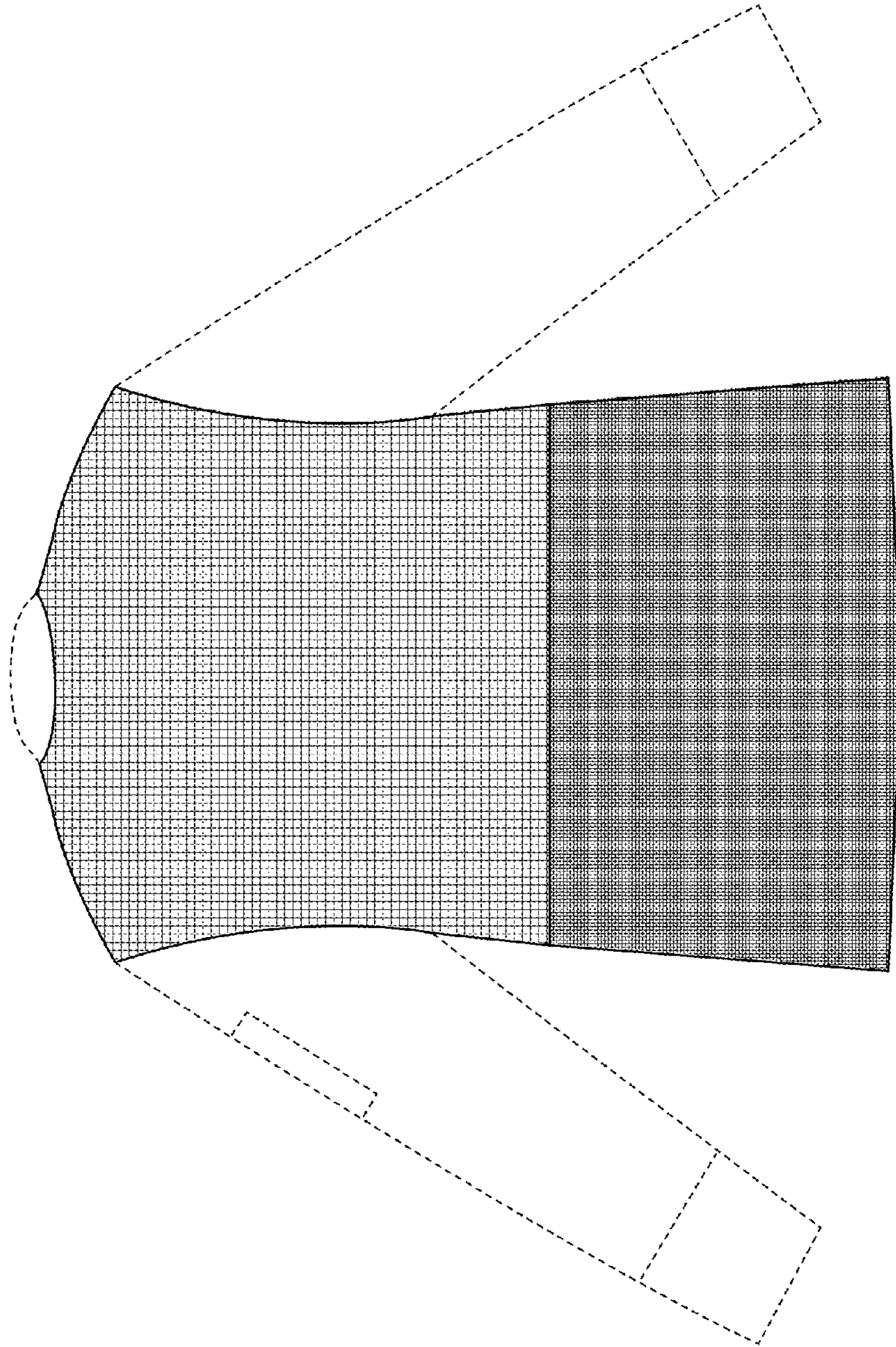


FIG. 6

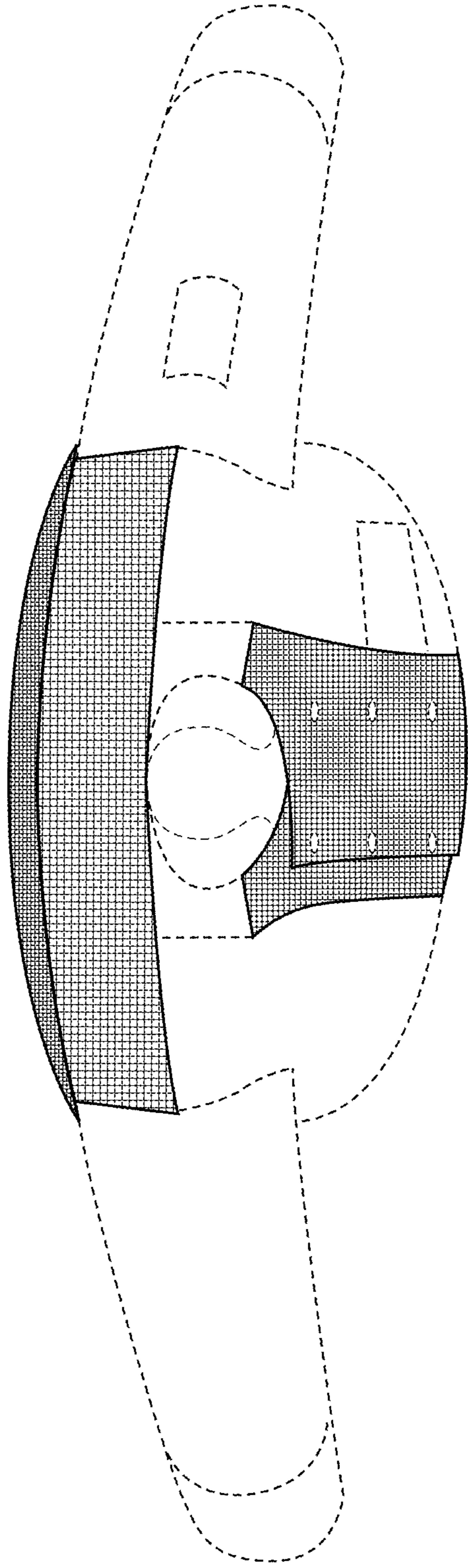


FIG. 7

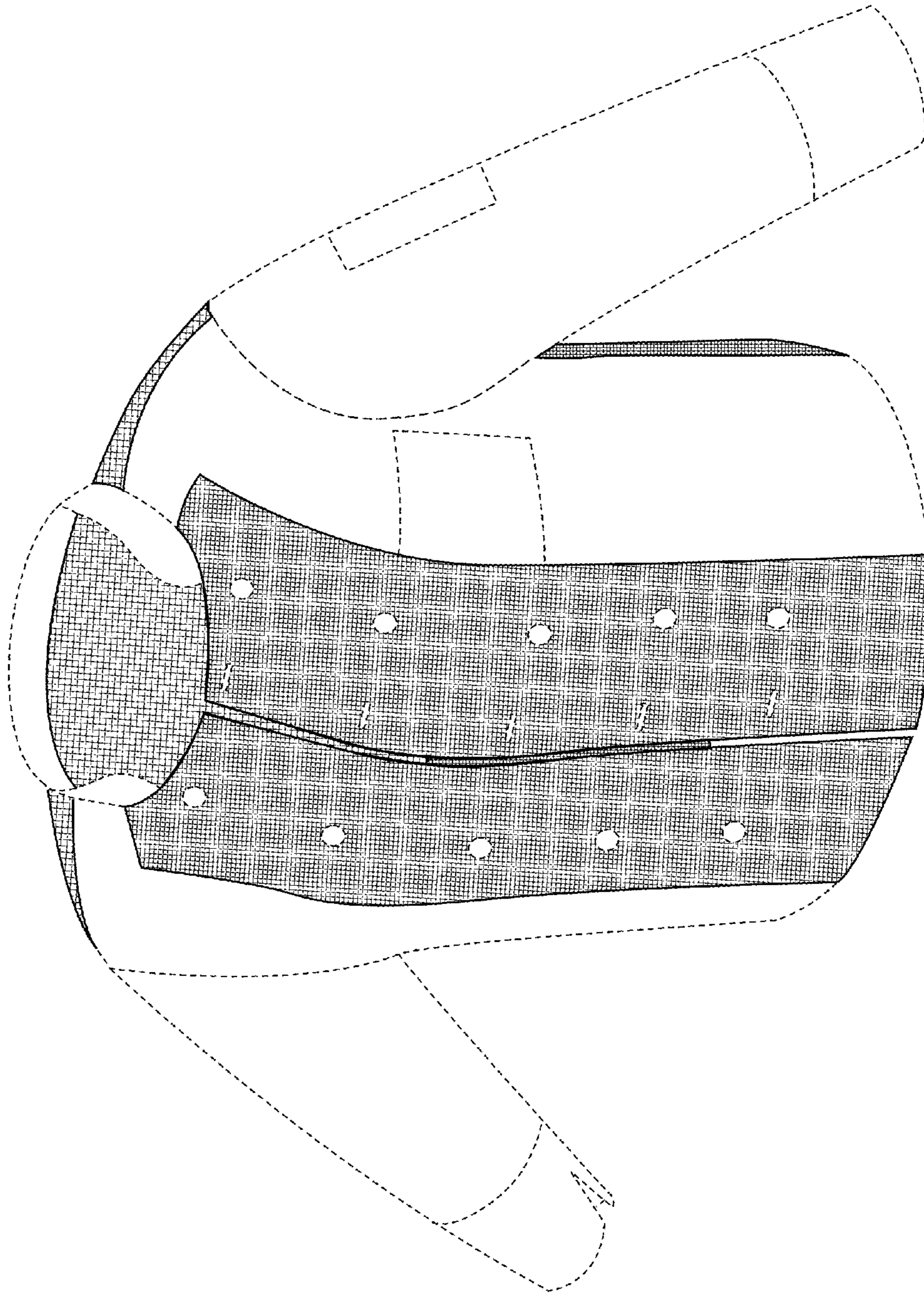


FIG. 8

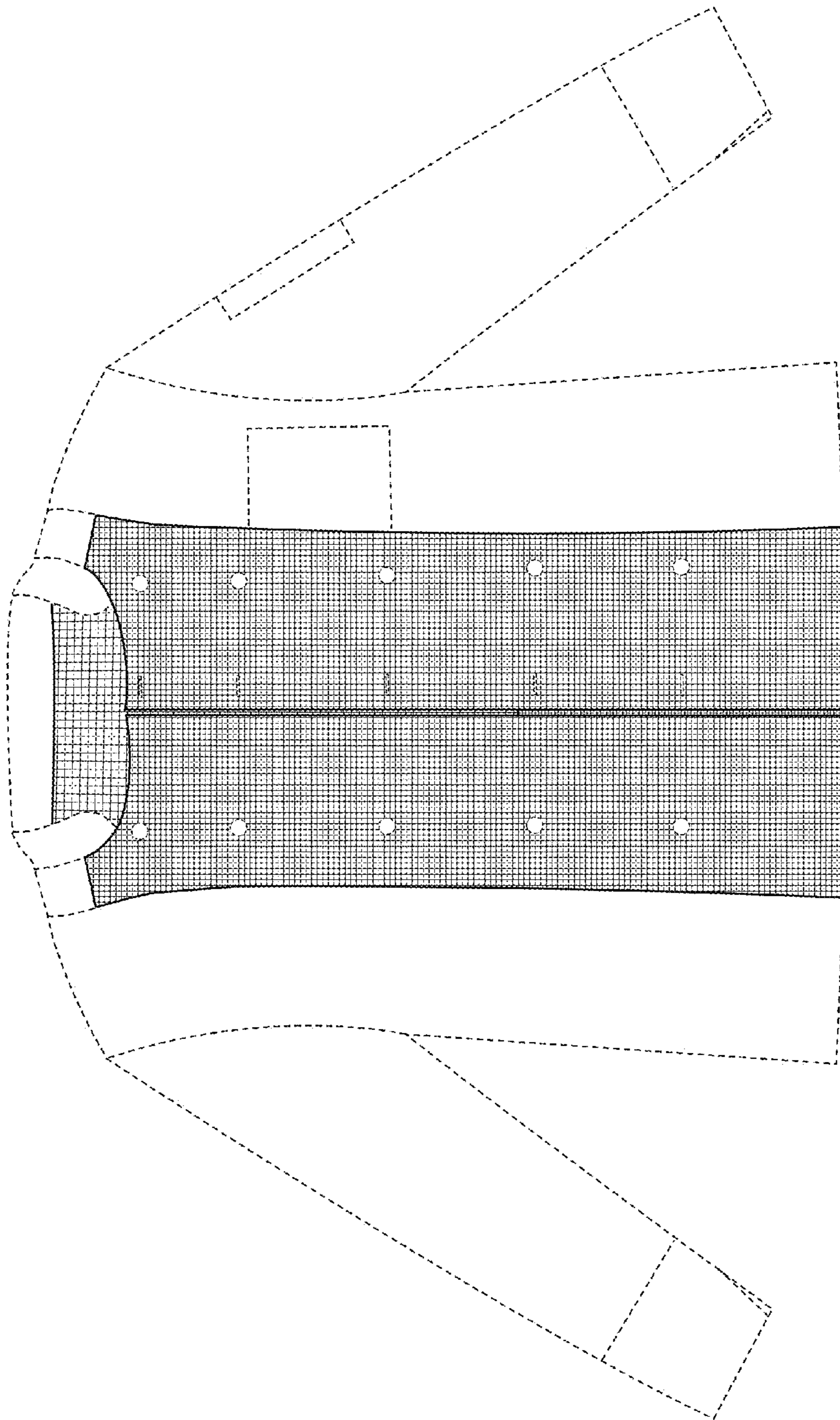


FIG. 9