



US00D764744S

(12) **United States Design Patent**
Jones, Jr.

(10) **Patent No.:** **US D764,744 S**
(45) **Date of Patent:** **** Aug. 30, 2016**

- (54) **COMBINATION NECKTIE AND BOWTIE**
- (71) Applicant: **George W Jones, Jr.**, Columbus, GA
(US)
- (72) Inventor: **George W Jones, Jr.**, Columbus, GA
(US)
- (**) Term: **14 Years**
- (21) Appl. No.: **29/474,394**
- (22) Filed: **Oct. 20, 2014**
- (51) **LOC (10) Cl.** **02-07**
- (52) **U.S. Cl.**
USPC **D2/605; D2/606**
- (58) **Field of Classification Search**
USPC D2/500, 501, 600, 601, 602, 603, 604,
D2/605, 606, 607, 608, 609
CPC .. A41D 25/00; A41D 25/001; A41D 25/003;
A41D 25/005; A41D 25/006; A41D 25/008;
A41D 25/02; A41D 25/002; A41D 25/025;
A41D 25/027; A41D 25/04; A41D 25/06;
A41D 25/08; A41D 25/10; A41D 25/12;
A41D 25/14
See application file for complete search history.

- 2,388,993 A * 11/1945 Pfau A41D 25/04
2/150
- 2,411,907 A * 12/1946 Taborski A41D 25/02
2/150
- 2,578,269 A * 12/1951 Sinton A41D 25/02
2/151
- D179,910 S * 3/1957 Lewine D2/605
- D202,256 S * 9/1965 Moran 2/119
- D229,796 S * 1/1974 Eckstein D2/605
- D398,737 S * 9/1998 Umann D2/605

* cited by examiner

Primary Examiner — Karen E. Eldridge Powers
Assistant Examiner — Jasmine Mlinarcik

(57) **CLAIM**

The ornamental design for a combination necktie and bowtie, as shown and described.

DESCRIPTION

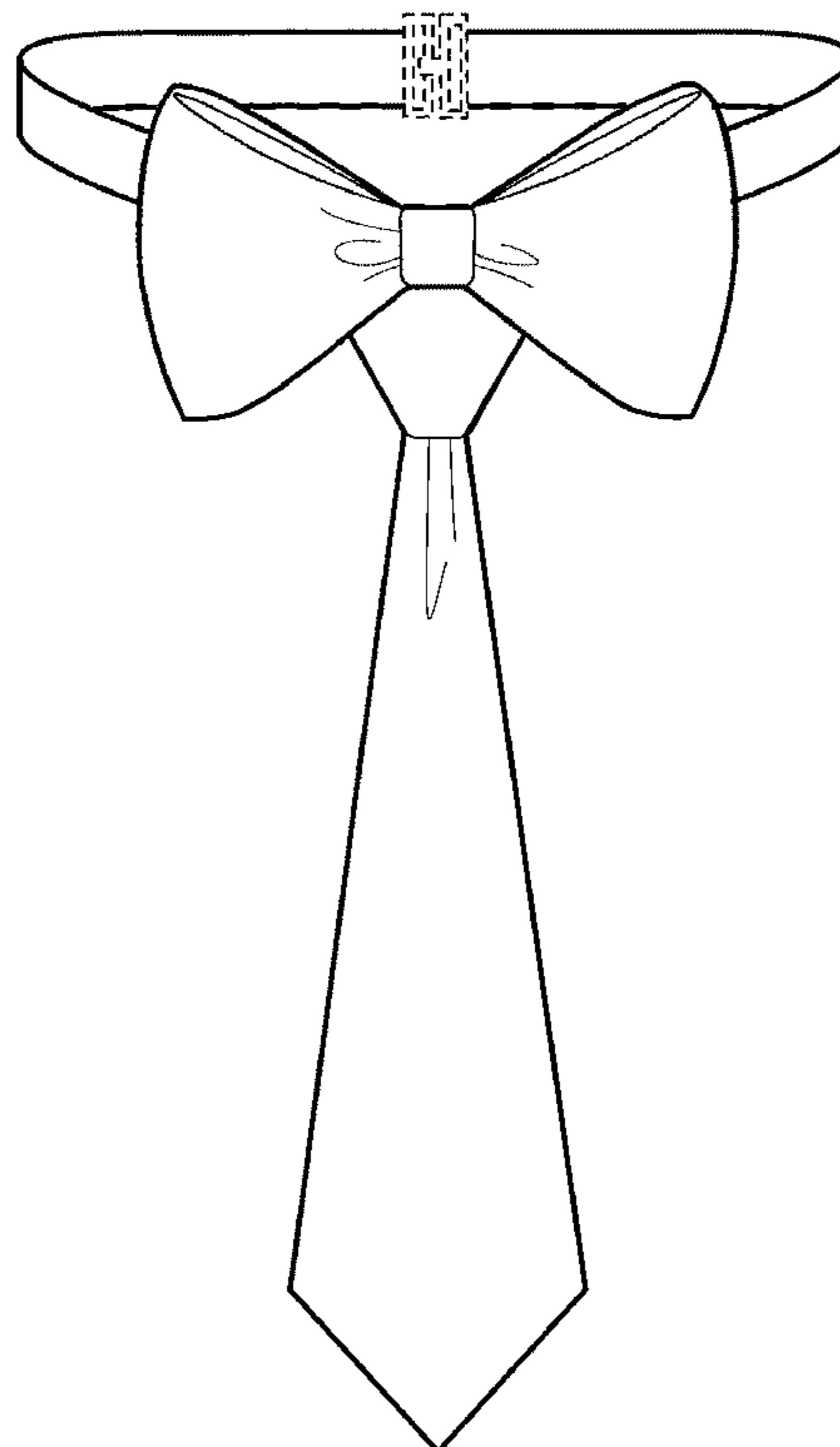
FIG. 1 is a front elevation view of a combination necktie and bowtie, showing my new design;
FIG. 2 is a rear elevation view thereof, with the strap laid out in a flattened position;
FIG. 3 is a side elevation view thereof where the straps have been re-positioned; and,
FIG. 4 is an opposite side elevation view thereof.
The strap adjuster fastener illustrated by broken lines represents environmental structure that forms no part of the claimed design. The ends of the strap rendered by broken lines in FIGS. 2-4 indicate that any portion of the article beyond what is shown forms no part of the claimed design.

(56) **References Cited**

U.S. PATENT DOCUMENTS

- D35,662 S * 2/1902 Cowen D2/605
- 1,772,575 A * 8/1930 Costanzo A41D 25/04
122/32

1 Claim, 4 Drawing Sheets



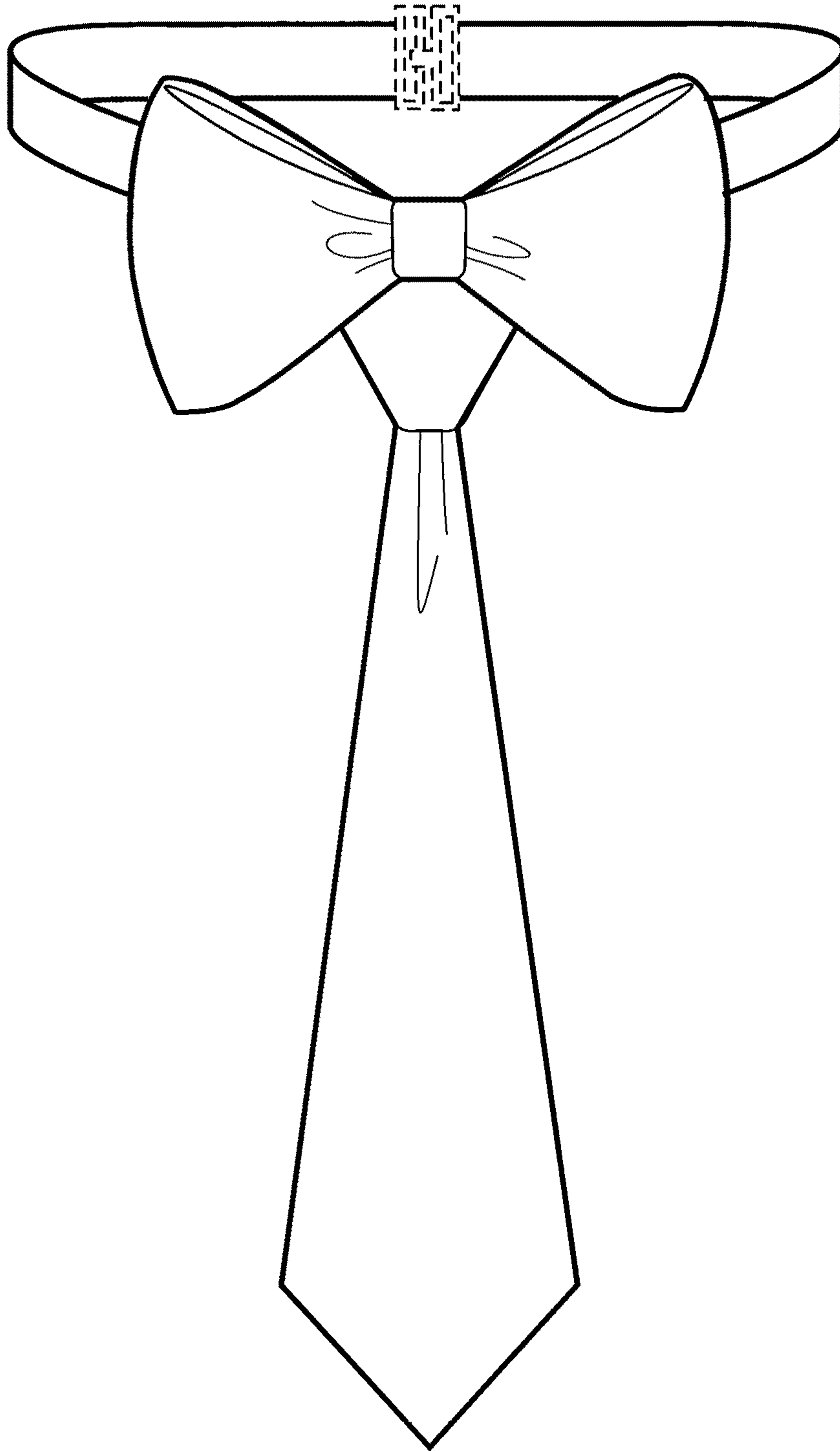


FIG. 1

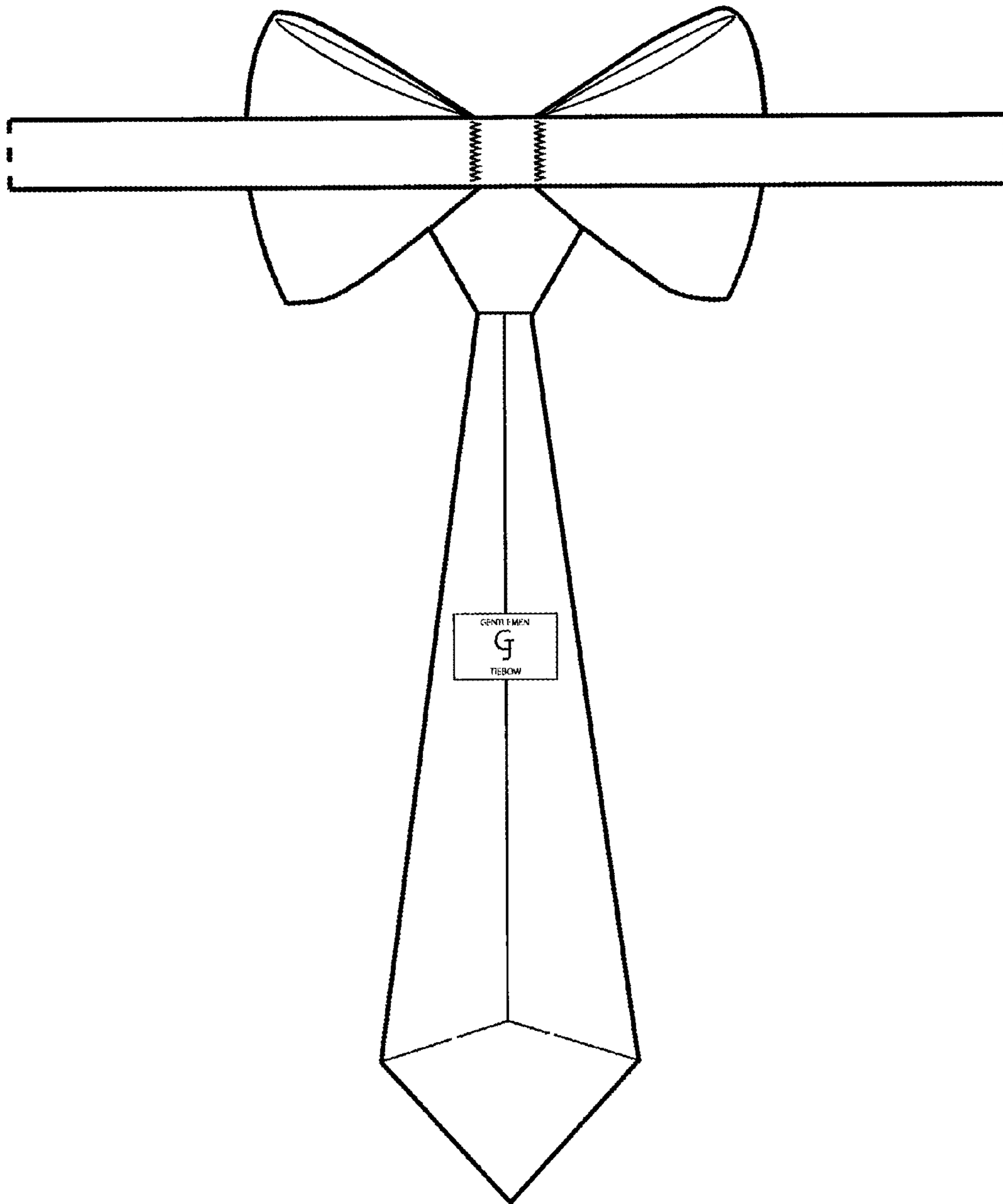


FIG. 2

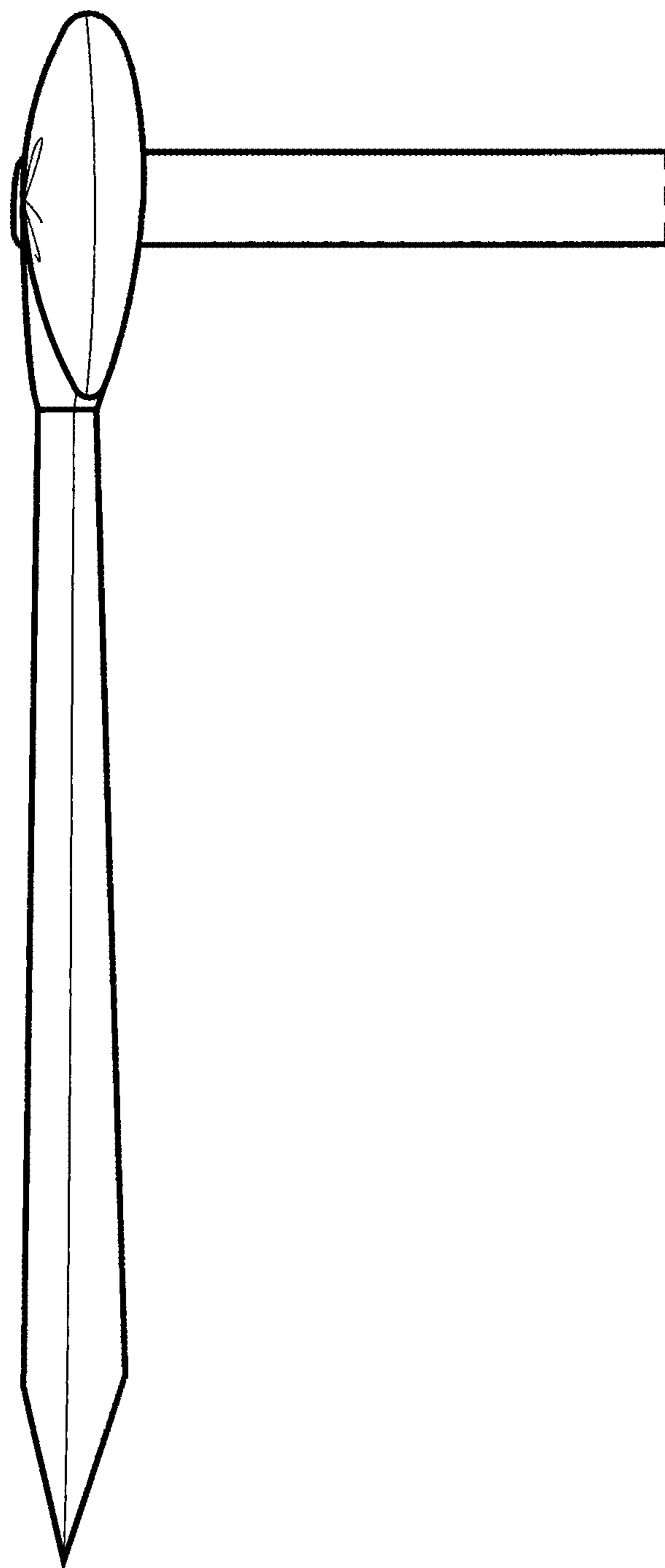


FIG. 3

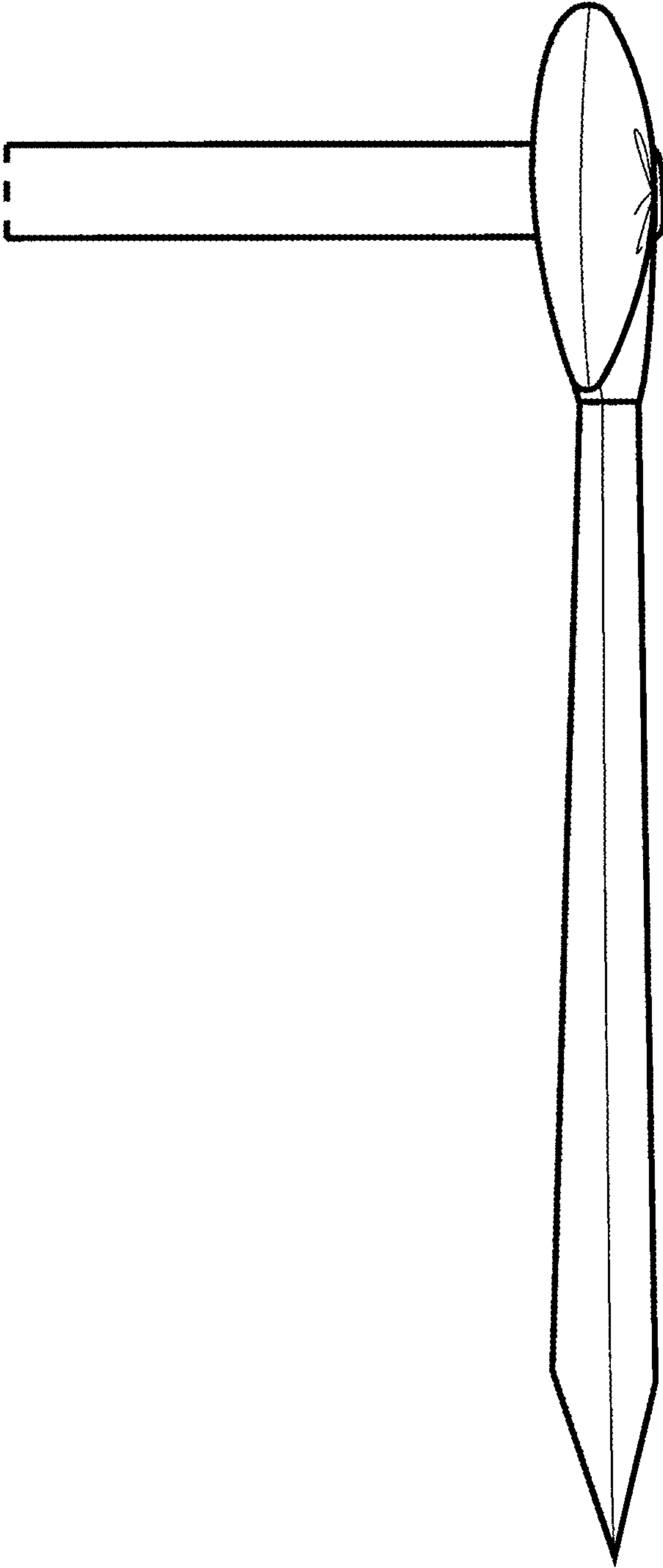


FIG. 4