



US00D764743S

(12) **United States Design Patent**
Ortiz

(10) **Patent No.:** **US D764,743 S**
(45) **Date of Patent:** **** Aug. 30, 2016**

(54) **GAME**
(71) Applicant: **Ivan Ortiz**, Toulouse (FR)
(72) Inventor: **Ivan Ortiz**, Toulouse (FR)
(**) Term: **14 Years**
(21) Appl. No.: **29/526,206**
(22) Filed: **May 7, 2015**
(51) **LOC (10) Cl.** **21-01**
(52) **U.S. Cl.**
USPC **D2/300**
(58) **Field of Classification Search**
USPC D21/300, 302, 333, 360, 398, 415, 576,
D21/606-608, 578; 273/148 B, 148 R; 463/1,
463/29-35, 39, 46, 47; 446/173-174, 268,
446/272, 278, 279, 280, 286, 297, 298, 484
CPC A63F 13/00; A63F 13/12; A63F 9/00;
A63H 3/28; A63H 7/02; A63H 9/00; A63H
33/00; G06N 3/00; G06N 3/008
See application file for complete search history.

4,863,164 A * 9/1989 Mizunuma A63F 9/30
273/447
D371,808 S * 7/1996 Gilbert D21/300
6,652,353 B1 * 11/2003 Lund A63H 11/20
446/297
D506,228 S * 6/2005 Grier-Rees D21/300
D535,704 S * 1/2007 Chow D21/300
8,210,894 B2 * 7/2012 Chan A63H 13/00
446/175
8,814,627 B2 * 8/2014 Hayakawa A63F 13/02
446/172

* cited by examiner

Primary Examiner — Prabhakar Deshmukh
(74) *Attorney, Agent, or Firm* — Egbert Law Offices, PLLC

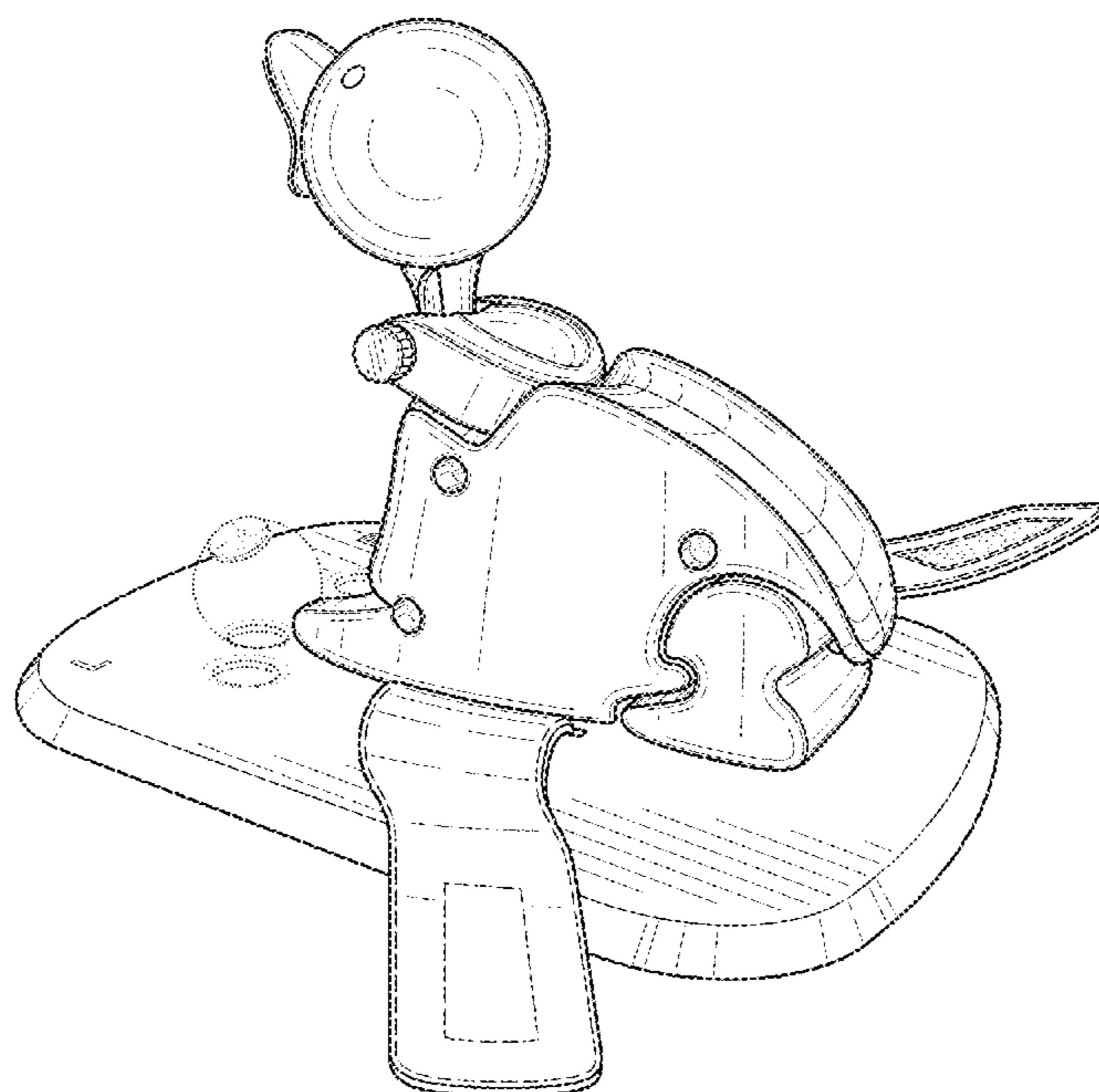
(57) **CLAIM**
The ornamental design for a game, as shown and described.

DESCRIPTION

FIG. 1 is a rear perspective view of a game showing my new design.
FIG. 2 is a side view thereof;
FIG. 3 is an opposite side view thereof;
FIG. 4 is a front view thereof;
FIG. 5 is a rear view thereof;
FIG. 6 is a top view thereof;
FIG. 7 is a bottom view thereof;
FIG. 8 is a rear perspective view of the game wherein the straps are connected; and,
FIG. 9 is front perspective view of the game.
The broken lines on strap indicate stich lines. All other broken lines indicate unclaimed portions and form no part of the claimed design.

1 Claim, 5 Drawing Sheets

(56) **References Cited**
U.S. PATENT DOCUMENTS
1,507,200 A * 9/1924 Ott A63H 7/04
446/279
2,410,646 A * 11/1946 Finn A63H 5/00
446/272
4,229,003 A * 10/1980 Shimizu A63H 13/02
273/448
4,799,678 A * 1/1989 Terzian A63F 9/183
273/237



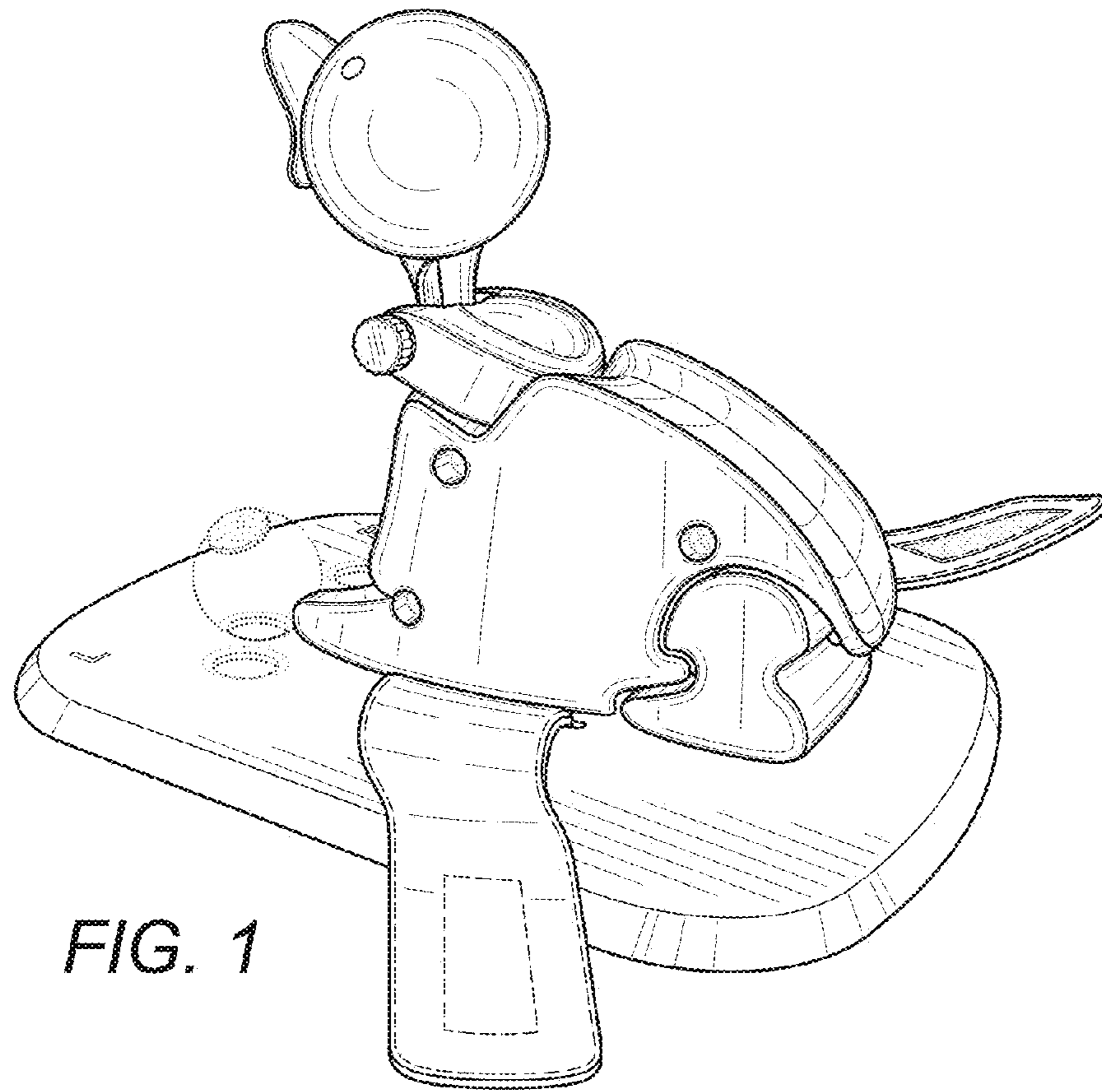


FIG. 1

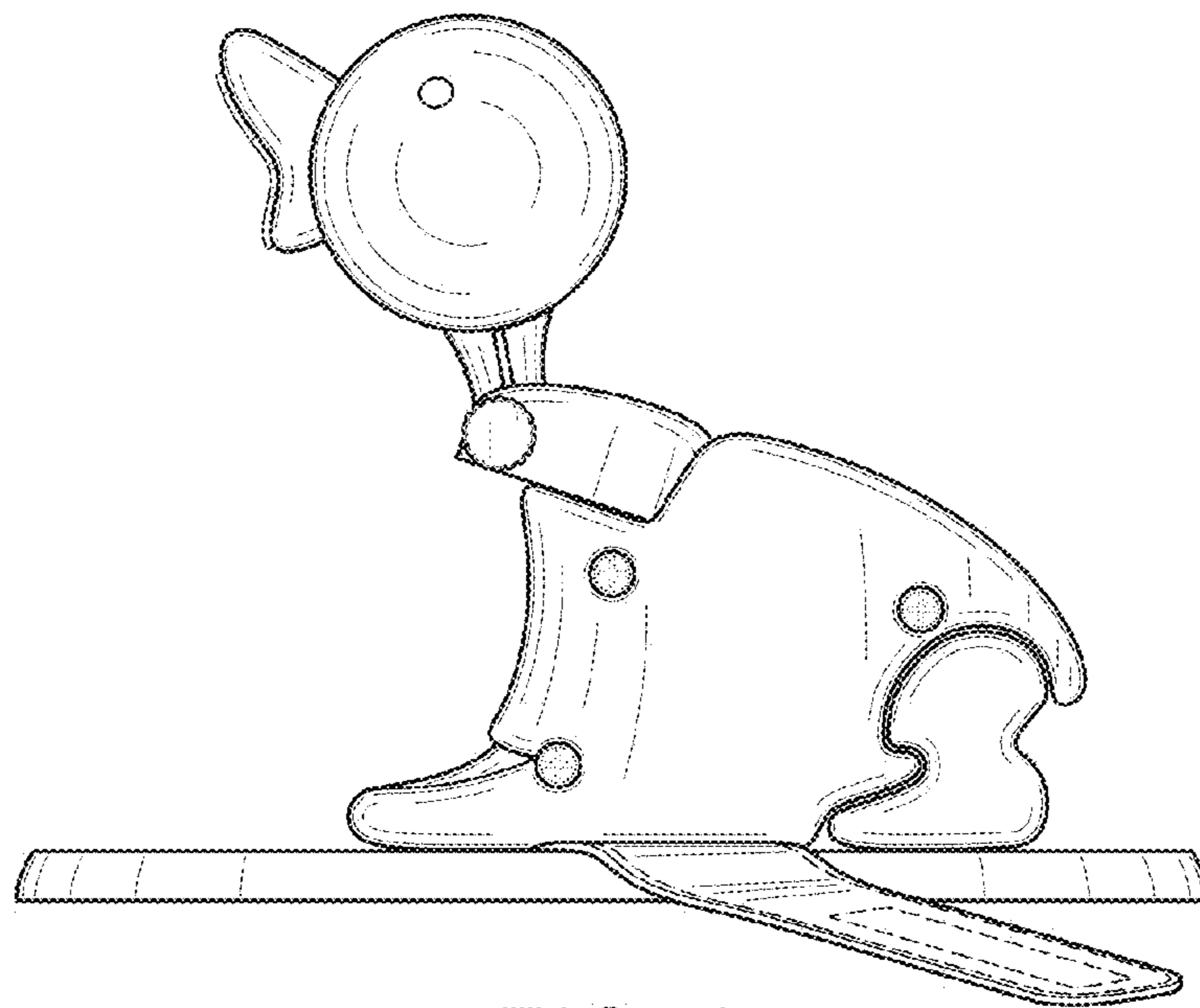


FIG. 2

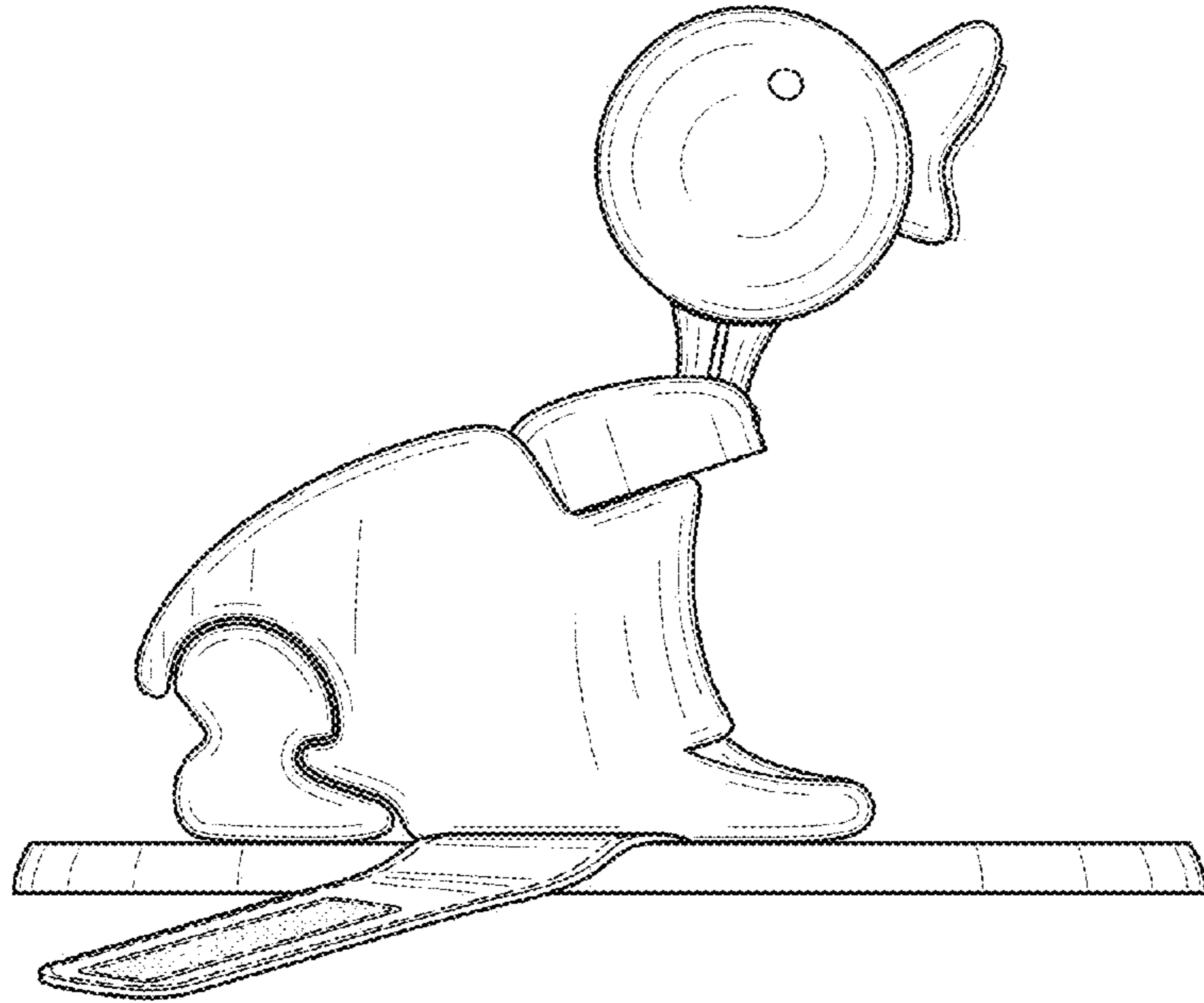


FIG. 3

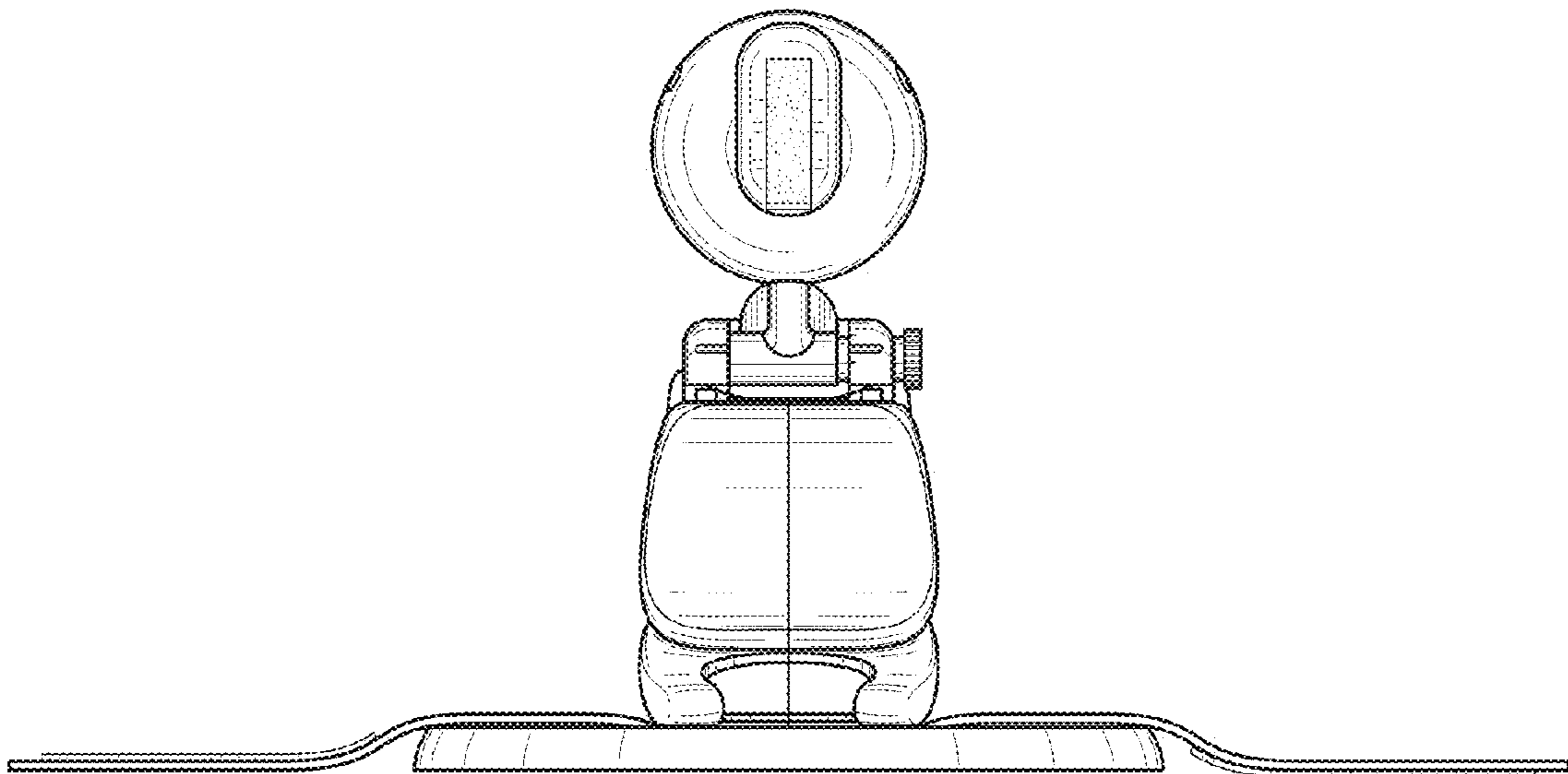


FIG. 4

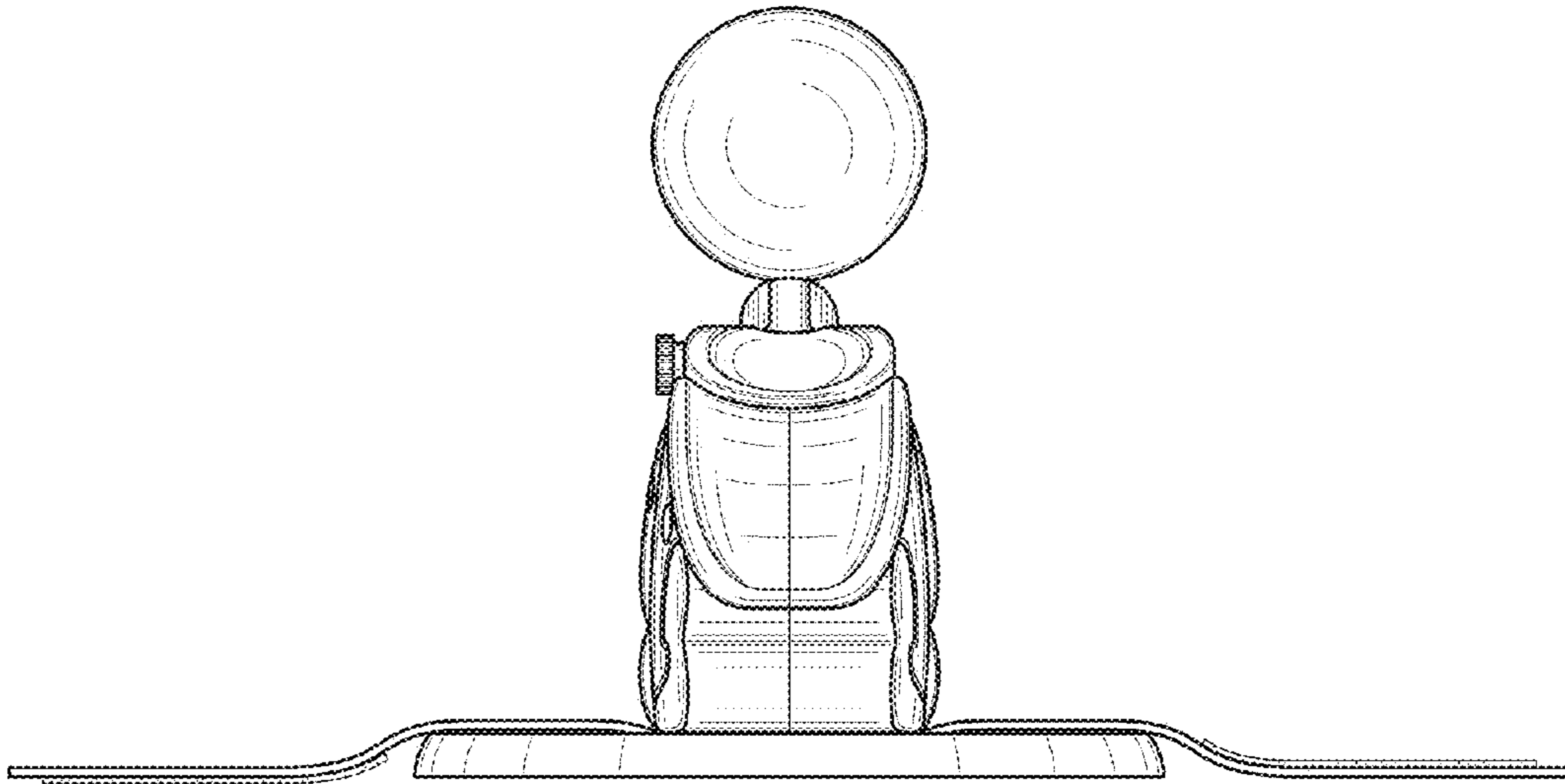


FIG. 5

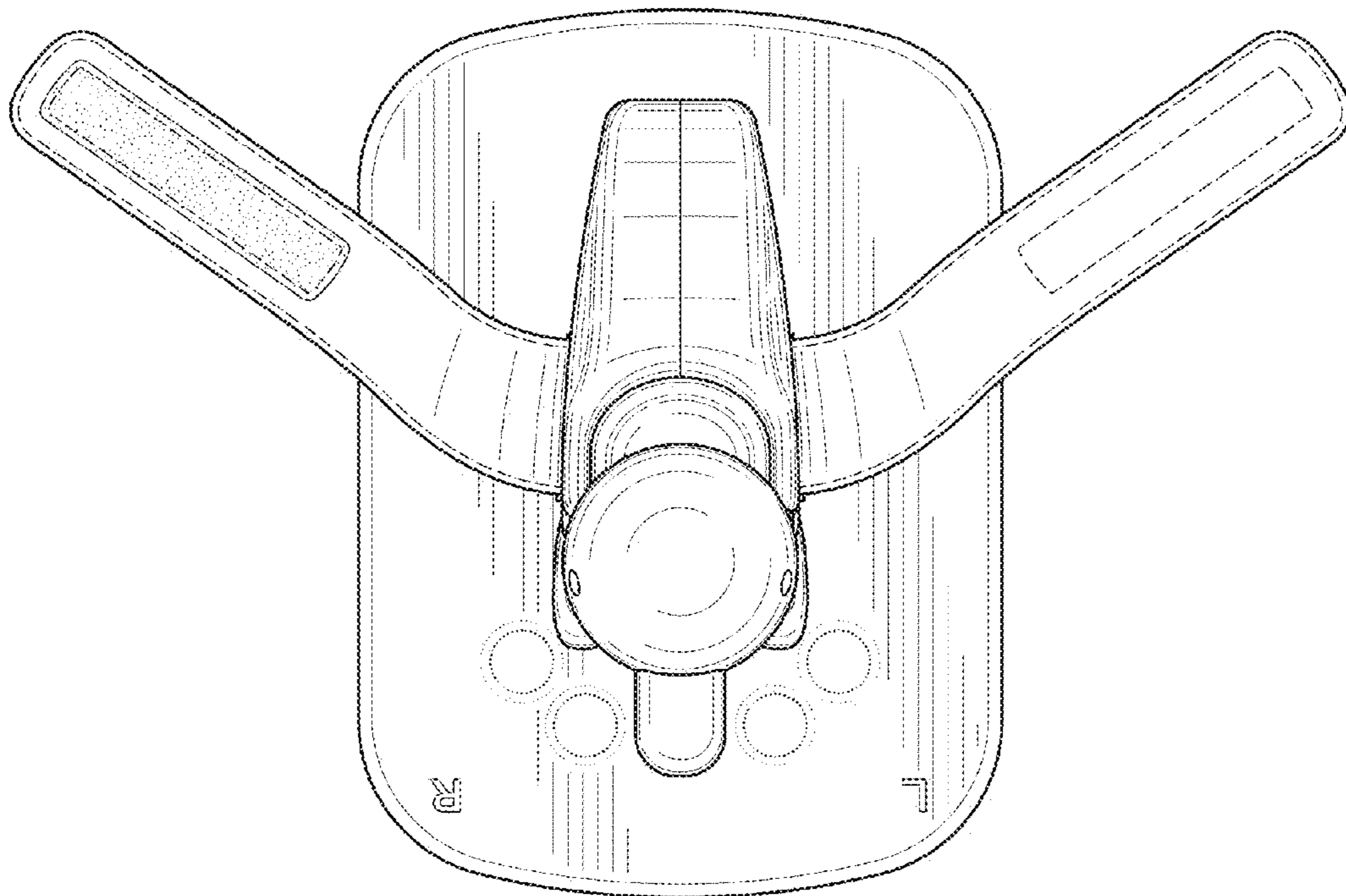


FIG. 6

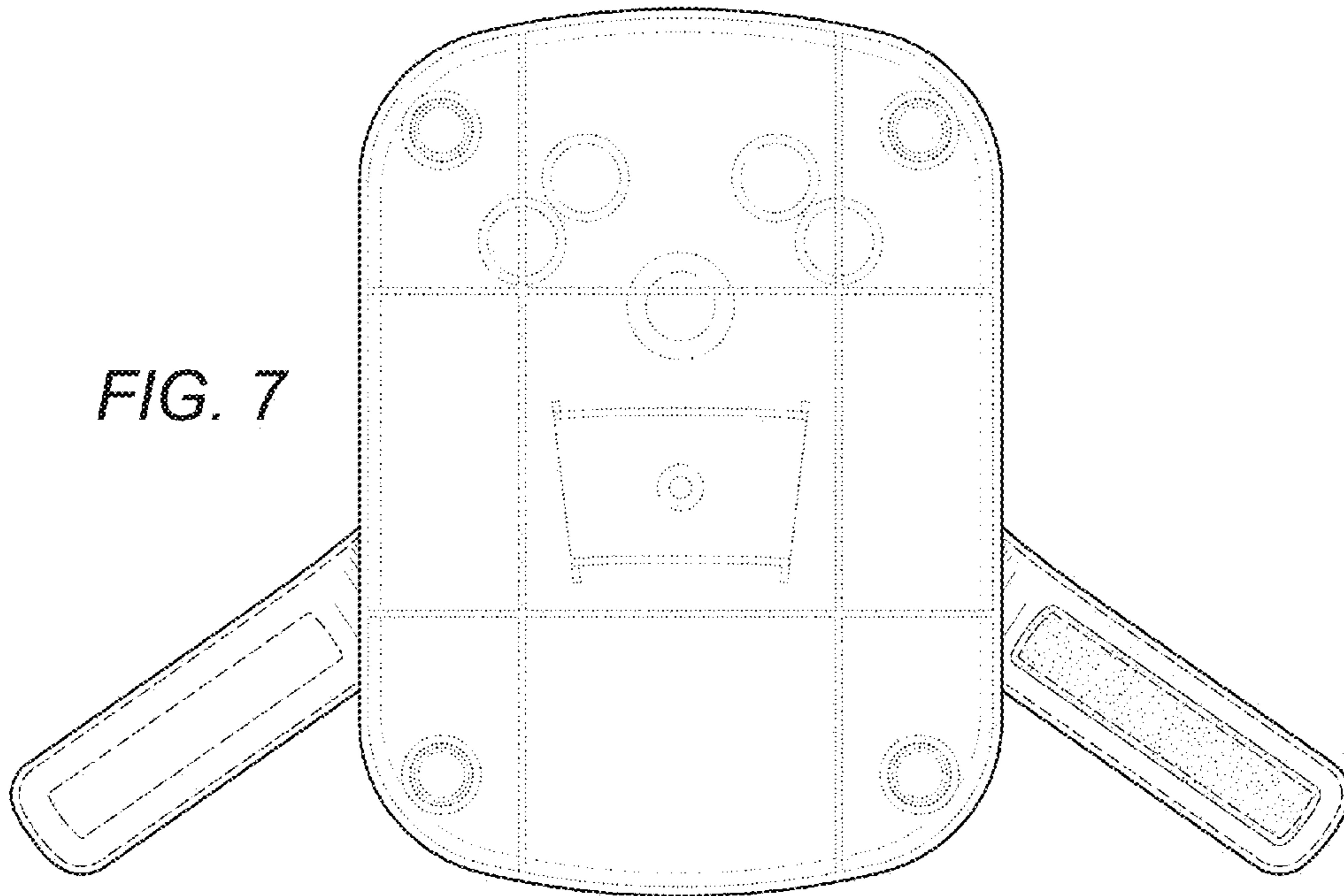


FIG. 7

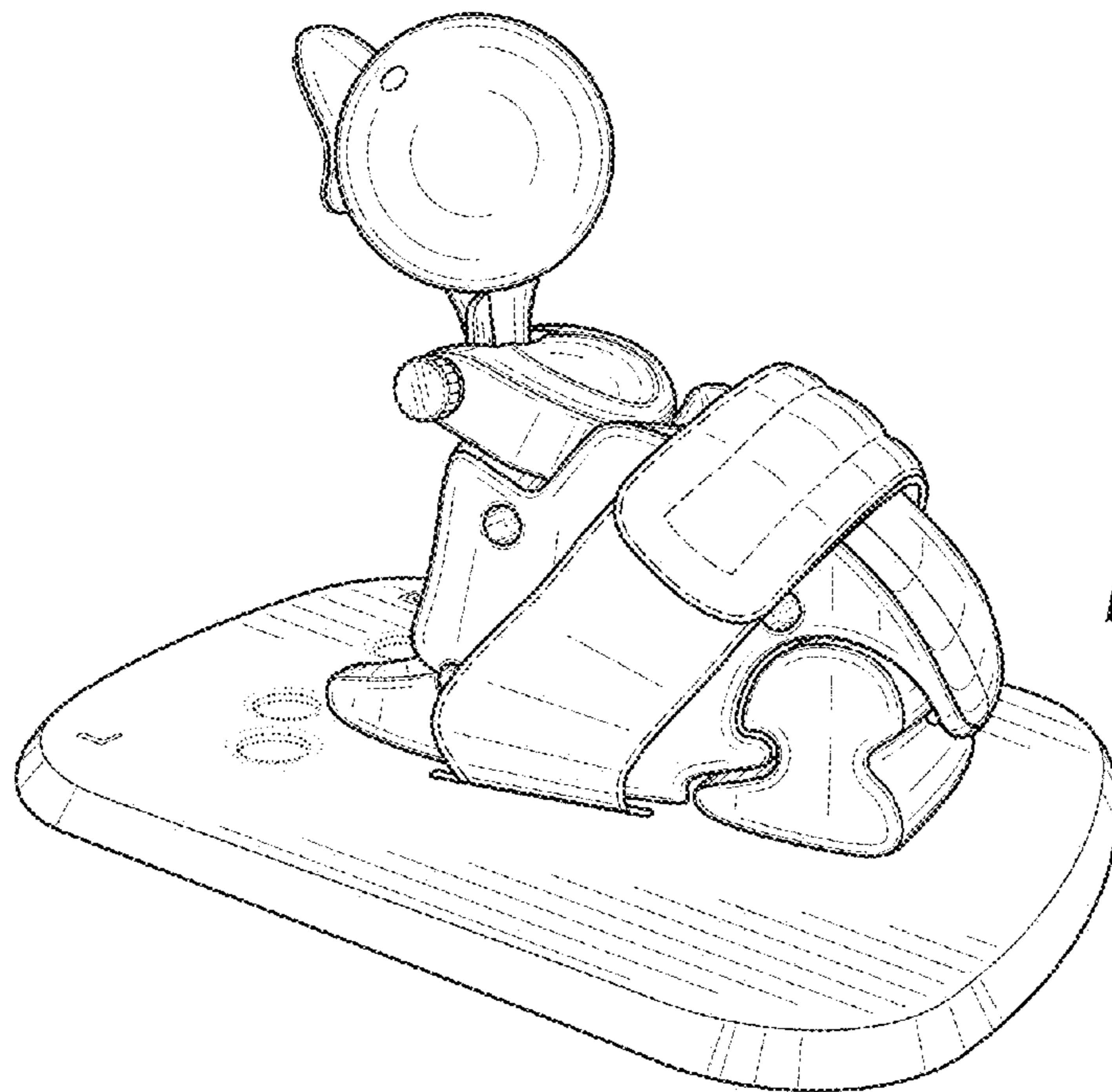


FIG. 8

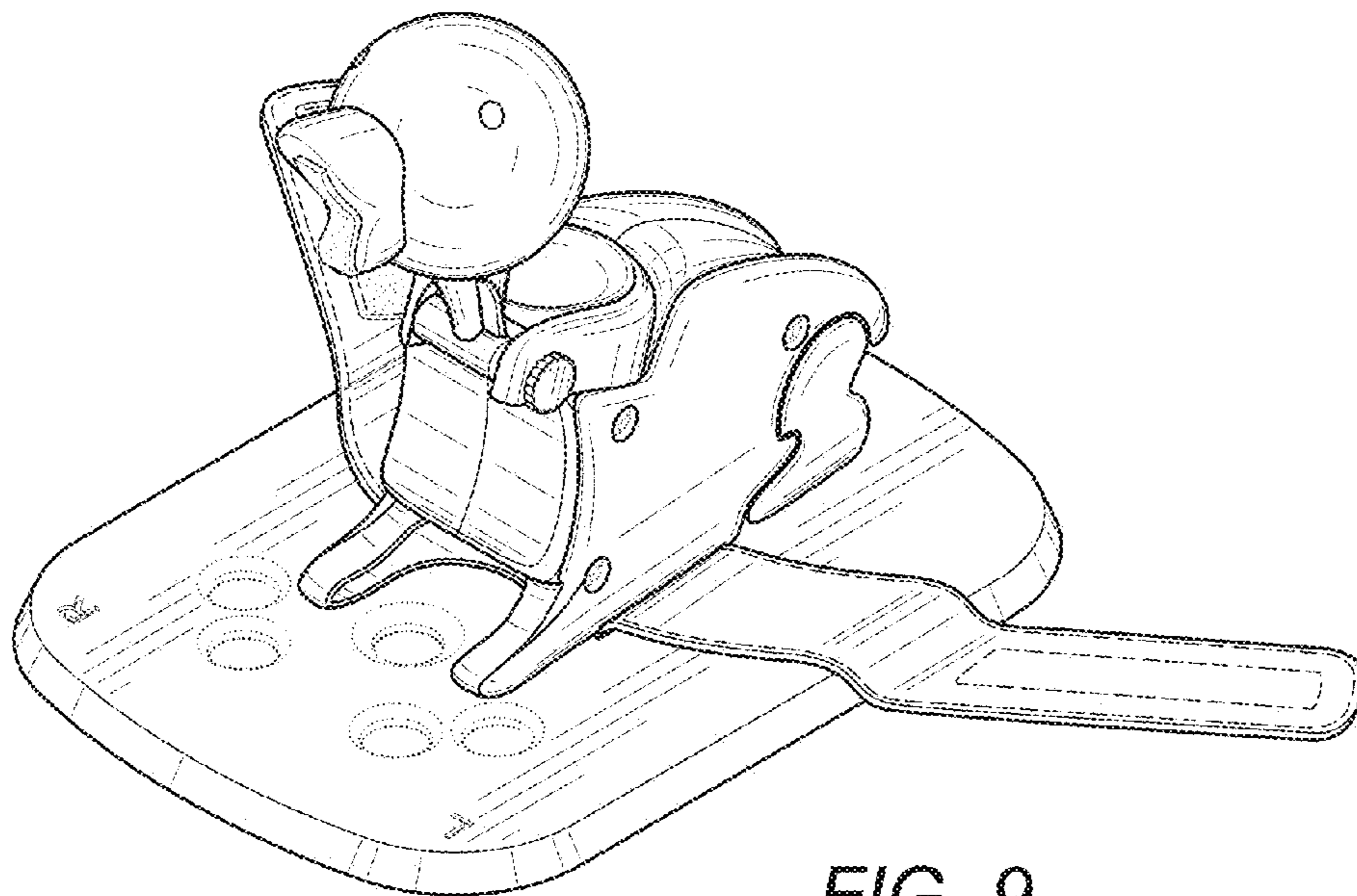


FIG. 9