



US00D764739S

(12) **United States Design Patent**  
**Molnar et al.**

(10) **Patent No.:** **US D764,739 S**

(45) **Date of Patent:** **\*\* Aug. 23, 2016**

(54) **MATERIALS HANDLING VEHICLE**

D609,424 S \* 2/2010 Knie ..... D34/34  
D717,514 S \* 11/2014 Miggels ..... D34/34  
D752,312 S \* 3/2016 Chen ..... D34/34

(71) Applicant: **Crown Equipment Corporation**, New Bremen, OH (US)

**OTHER PUBLICATIONS**

(72) Inventors: **Christian Molnar**, Forstinning (DE);  
**James V. Kraimer**, Haimhausen (DE);  
**James Caleb Meyer**, St. Marys, OH (US)

Crown Equipment Corporation, RT 3500 Series brochure, Dec. 31, 2011; Crown Equipment Corporation, New Bremen, Ohio.

\* cited by examiner

(73) Assignee: **Crown Equipment Corporation**, New Bremen, OH (US)

*Primary Examiner* — Cynthia Ramirez

(74) *Attorney, Agent, or Firm* — Stevens & Showalter LLP

(\*\*) Term: **14 Years**

(57) **CLAIM**

The ornamental design for a materials handling vehicle, as shown and described.

(21) Appl. No.: **29/525,500**

**DESCRIPTION**

(22) Filed: **Apr. 30, 2015**

(51) **LOC (10) Cl.** ..... **12-05**

(52) **U.S. Cl.**  
USPC ..... **D34/34**

(58) **Field of Classification Search**  
USPC ..... D34/34; 414/785, 592, 640; 180/89.14,  
180/89.17, 89.18, 89.19  
CPC ..... B62B 3/0612; B62B 5/063  
See application file for complete search history.

FIG. 1 is a top, front and right side perspective view of a first embodiment of a materials handling vehicle;  
FIG. 2 is a top, rear, left side perspective view thereof;  
FIG. 3 is a rear elevational view thereof;  
FIG. 4 is a front elevational view thereof;  
FIG. 5 is a right side elevational view thereof;  
FIG. 6 is a left side elevational view thereof;  
FIG. 7 is a top plan view thereof;  
FIG. 8 is a bottom plan view thereof;  
FIG. 9 is a top, front, right side perspective view of a second embodiment of a materials handling vehicle;  
FIG. 10 is a top, rear, left side perspective view thereof;  
FIG. 11 is a rear elevational view thereof;  
FIG. 12 is a front elevational view thereof;  
FIG. 13 is a first side elevational view thereof;  
FIG. 14 is a second side elevational view thereof;  
FIG. 15 is a top plan view thereof; and,  
FIG. 16 is a bottom plan view thereof.

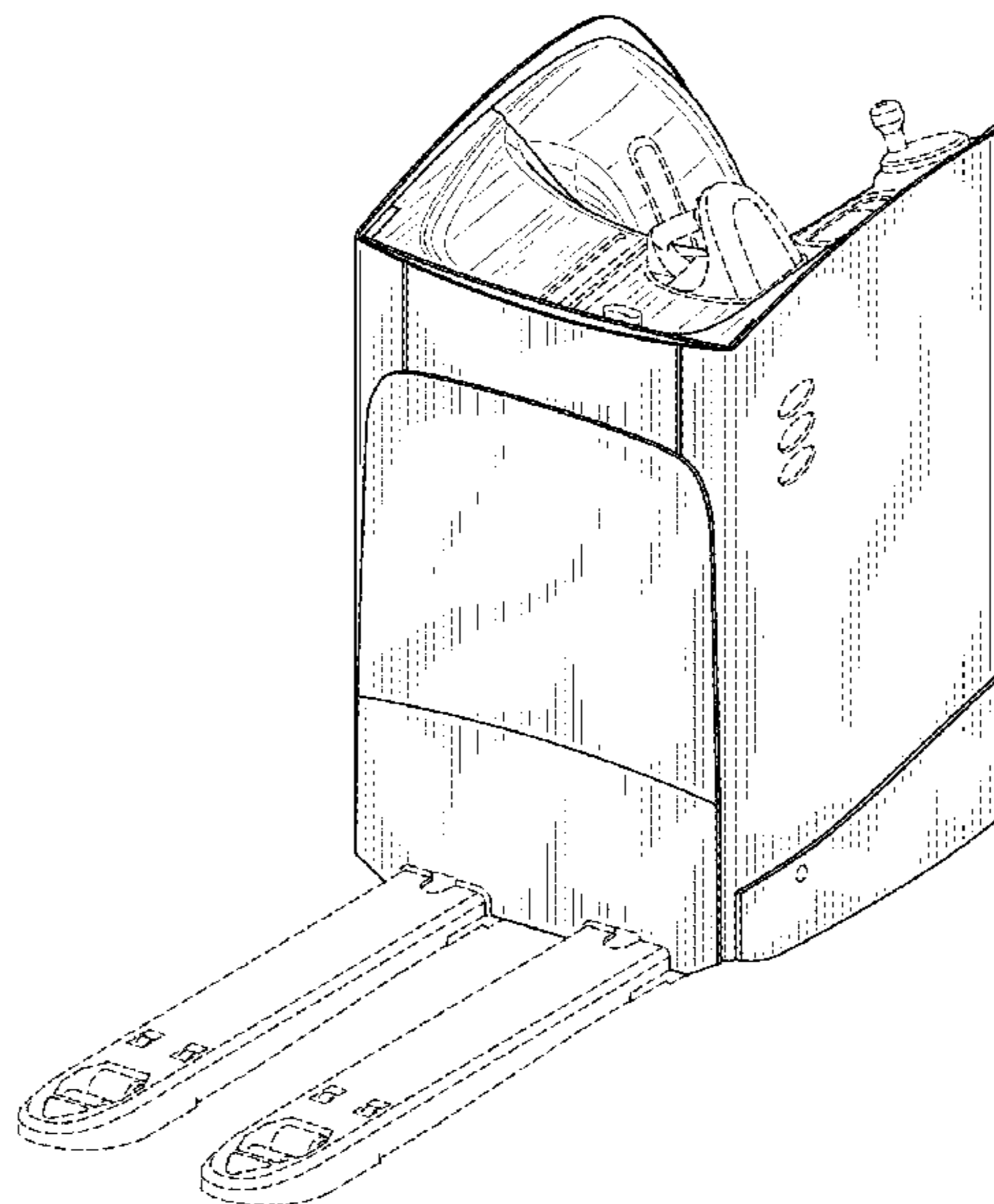
The elements shown in broken lines in the figure are included for the purpose of illustrating environment and form no part of the claimed design.

(56) **References Cited**

**U.S. PATENT DOCUMENTS**

D222,670 S \* 11/1971 Goodacre et al. .... D34/34  
D237,371 S \* 10/1975 Brown ..... D34/37  
D348,759 S \* 7/1994 Bhambra ..... D34/28  
D373,888 S \* 9/1996 Soederberg ..... D34/34  
D537,226 S \* 2/2007 Niebuhr ..... D34/34  
D583,124 S \* 12/2008 Stark ..... D34/34  
D601,324 S \* 9/2009 Knie ..... D34/34  
D608,074 S \* 1/2010 Berger ..... D34/34  
D608,075 S \* 1/2010 Berger ..... D34/34  
D608,521 S \* 1/2010 Berger ..... D34/34

**1 Claim, 14 Drawing Sheets**



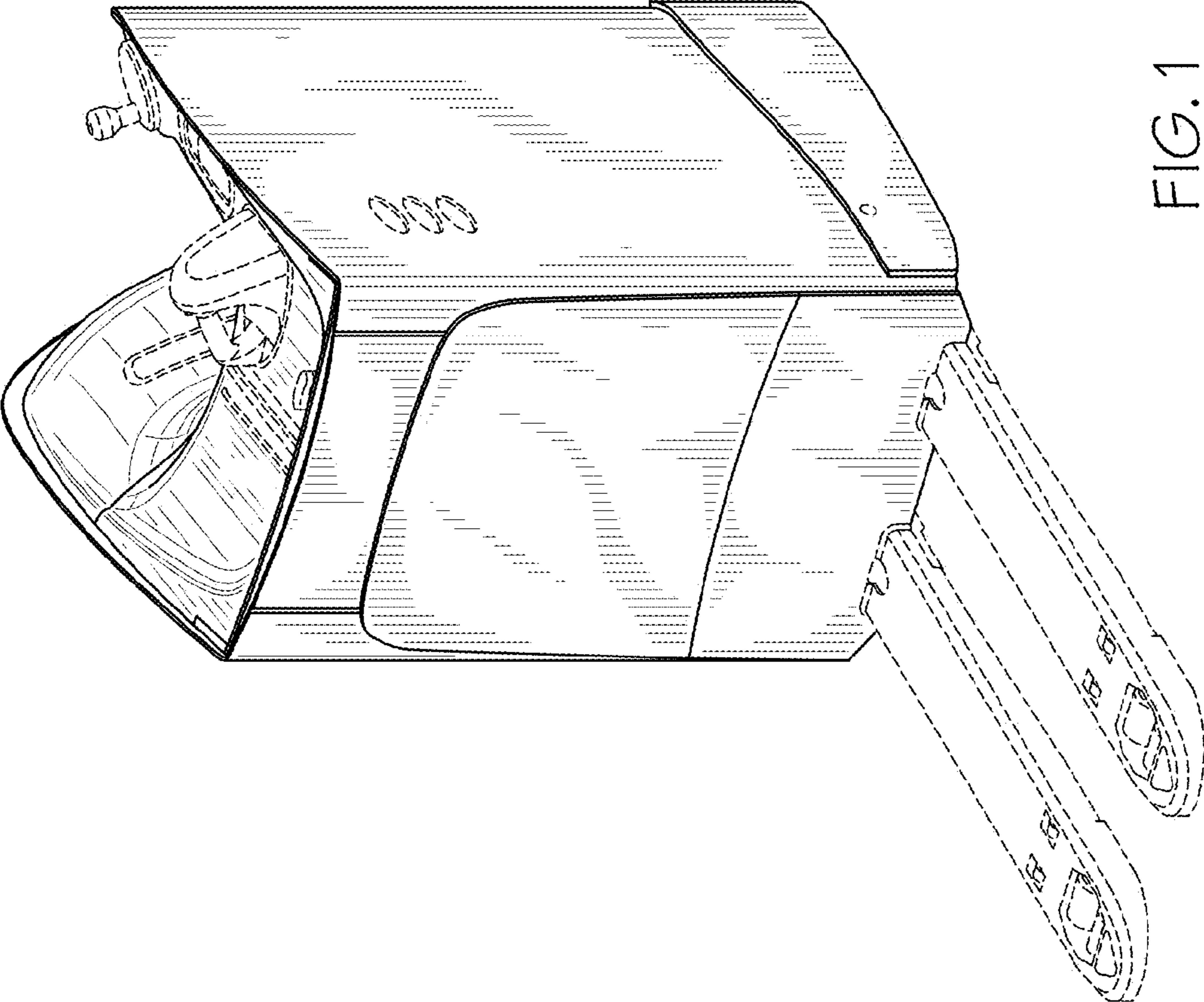


FIG. 1

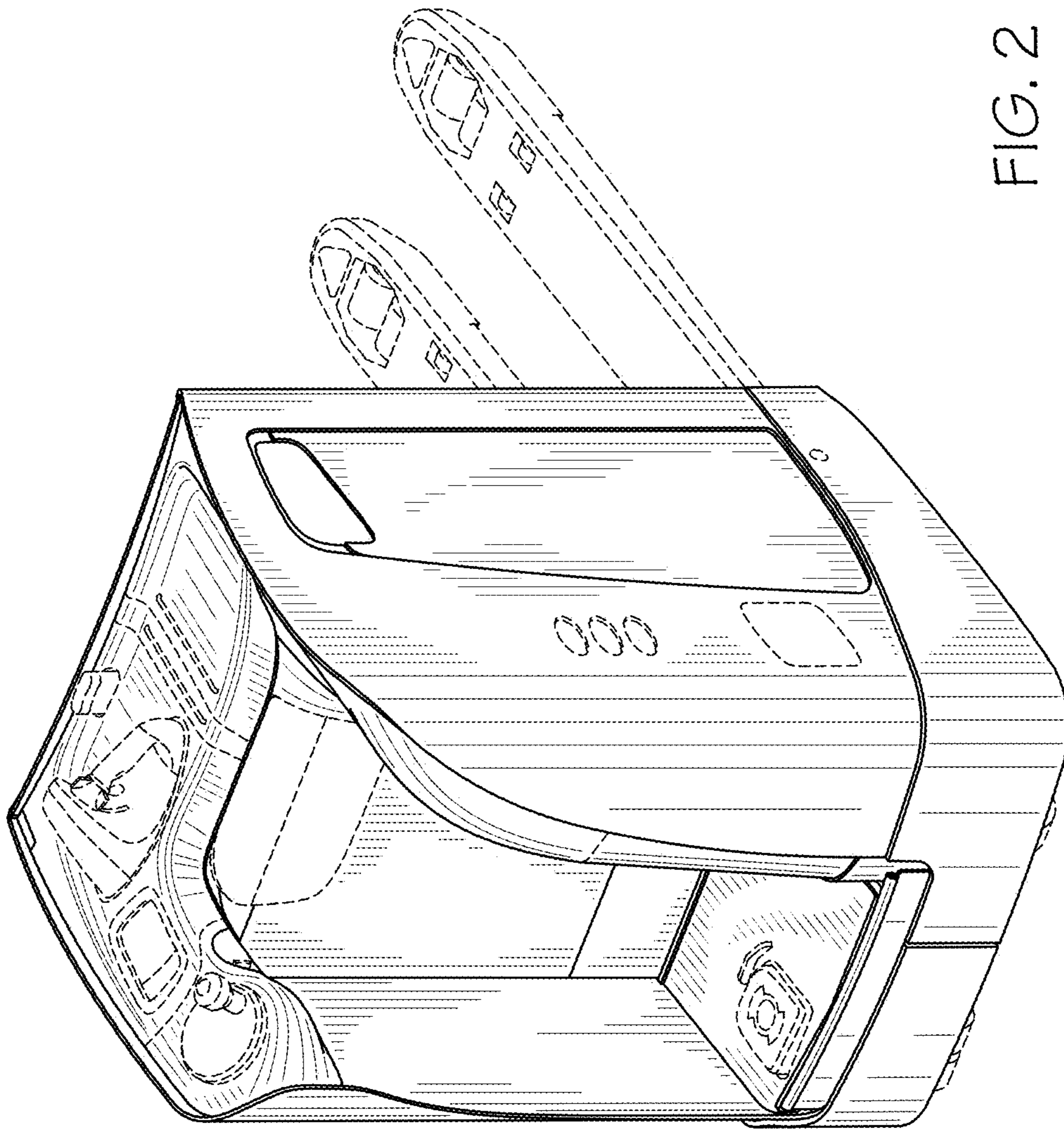


FIG. 2



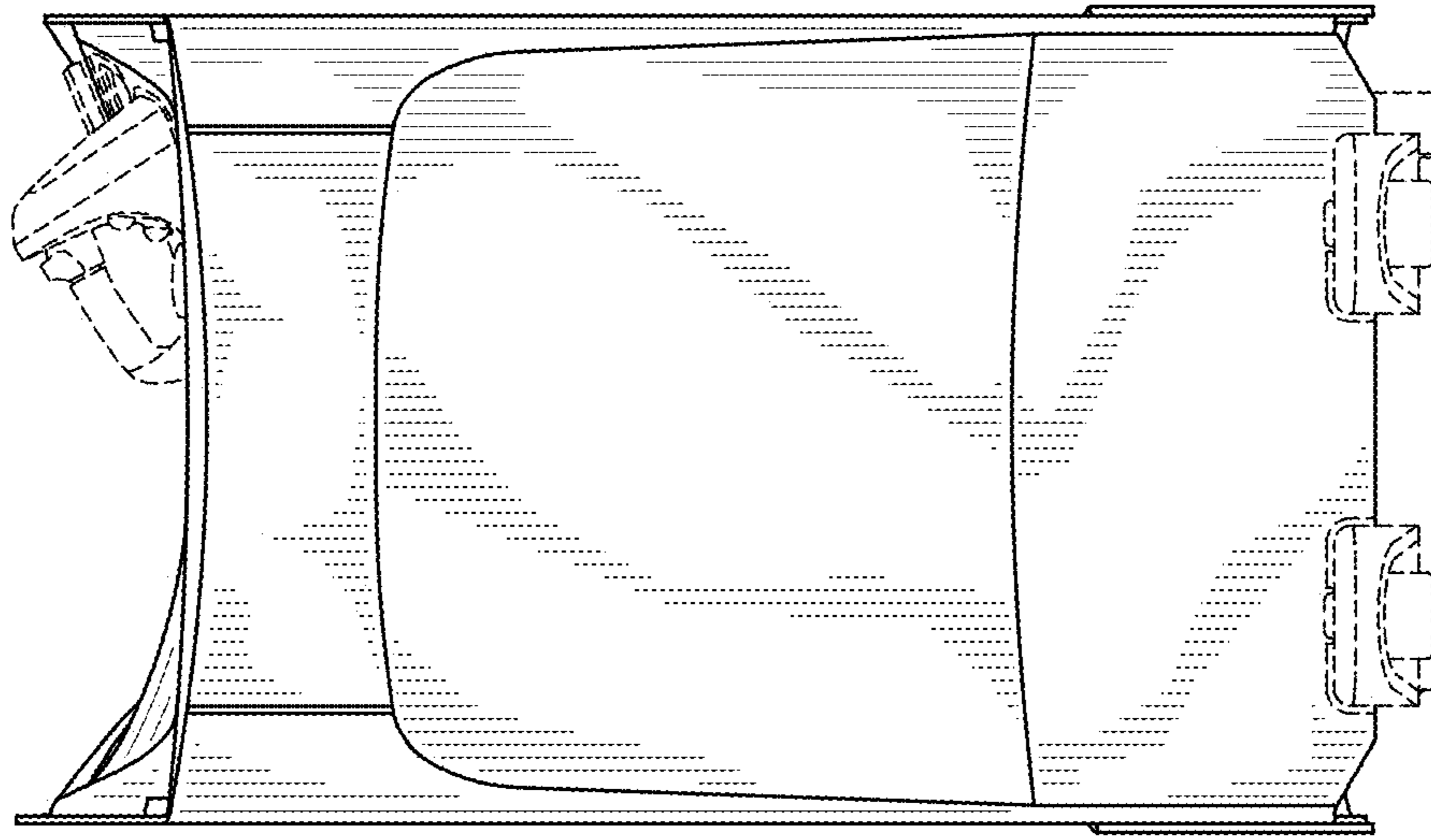


FIG. 4

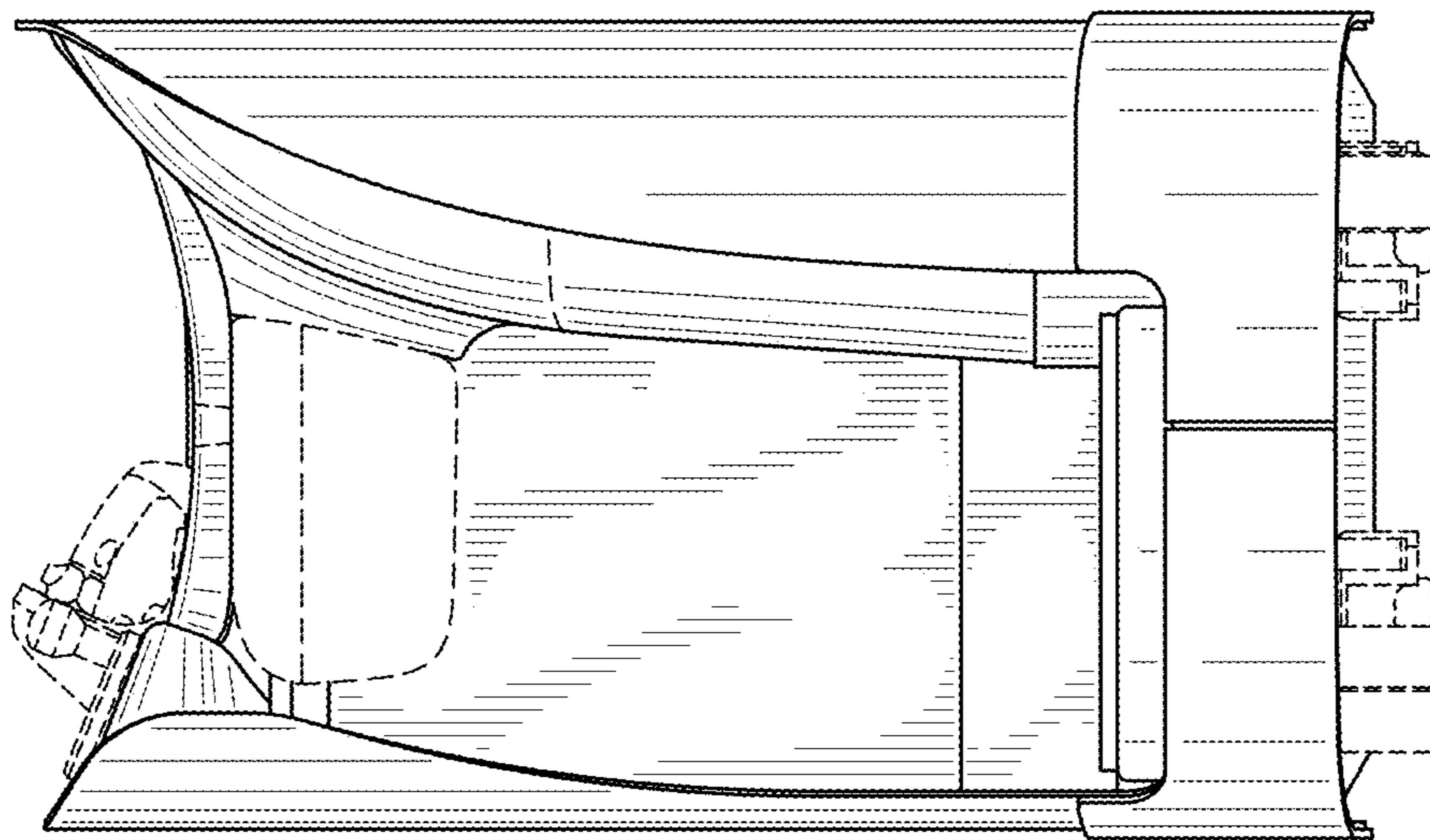


FIG. 3

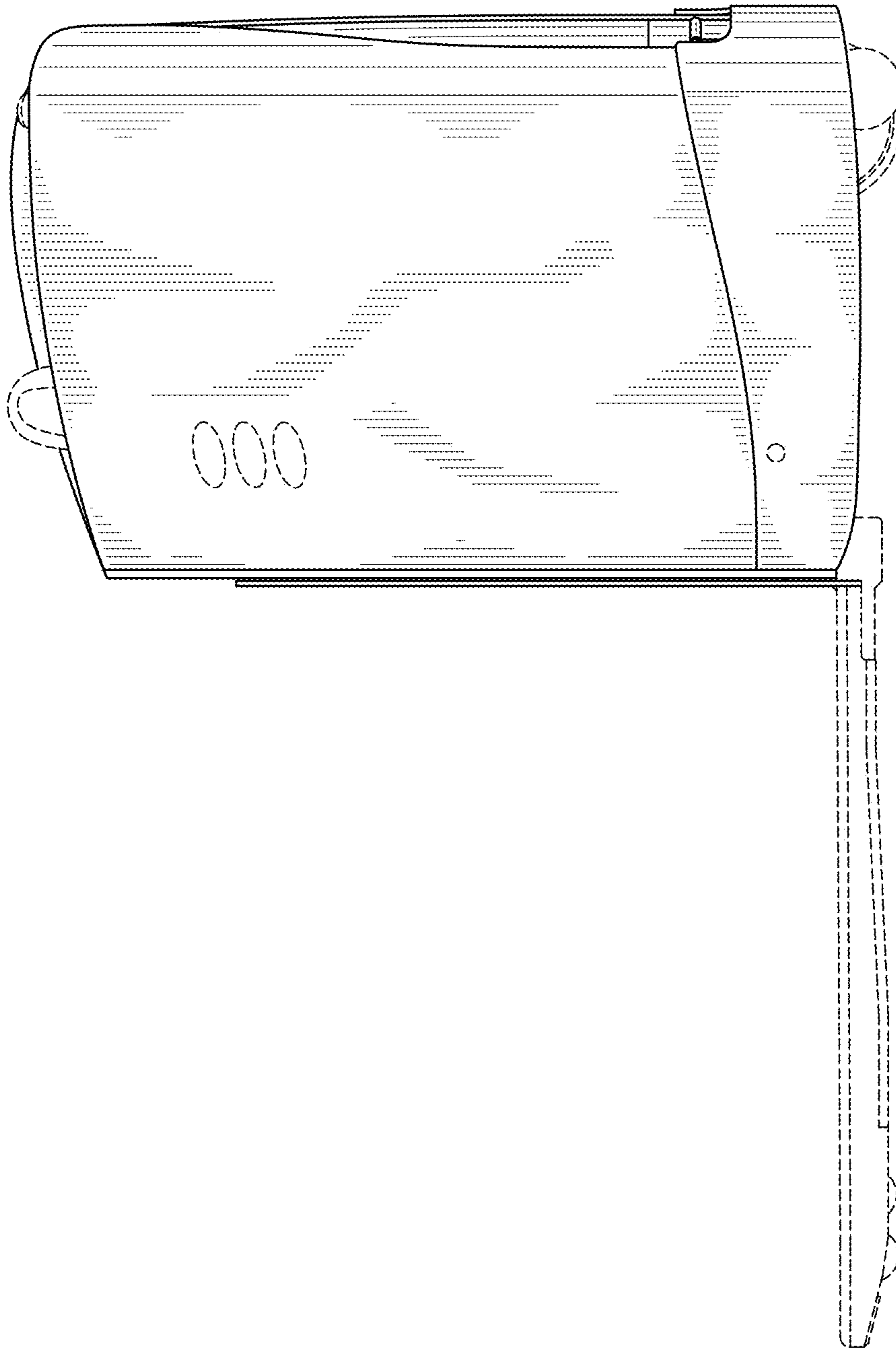


FIG. 5

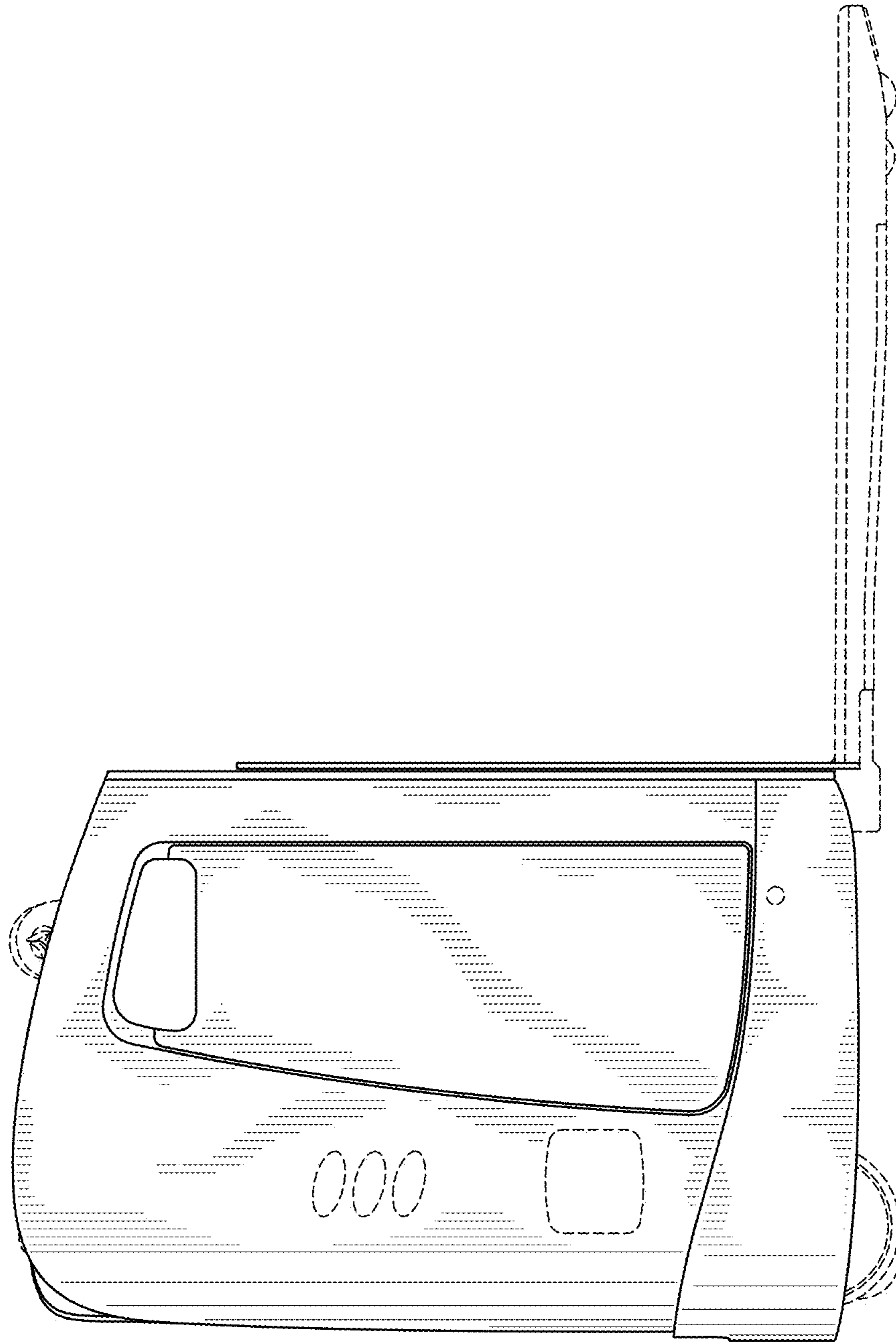


FIG. 6

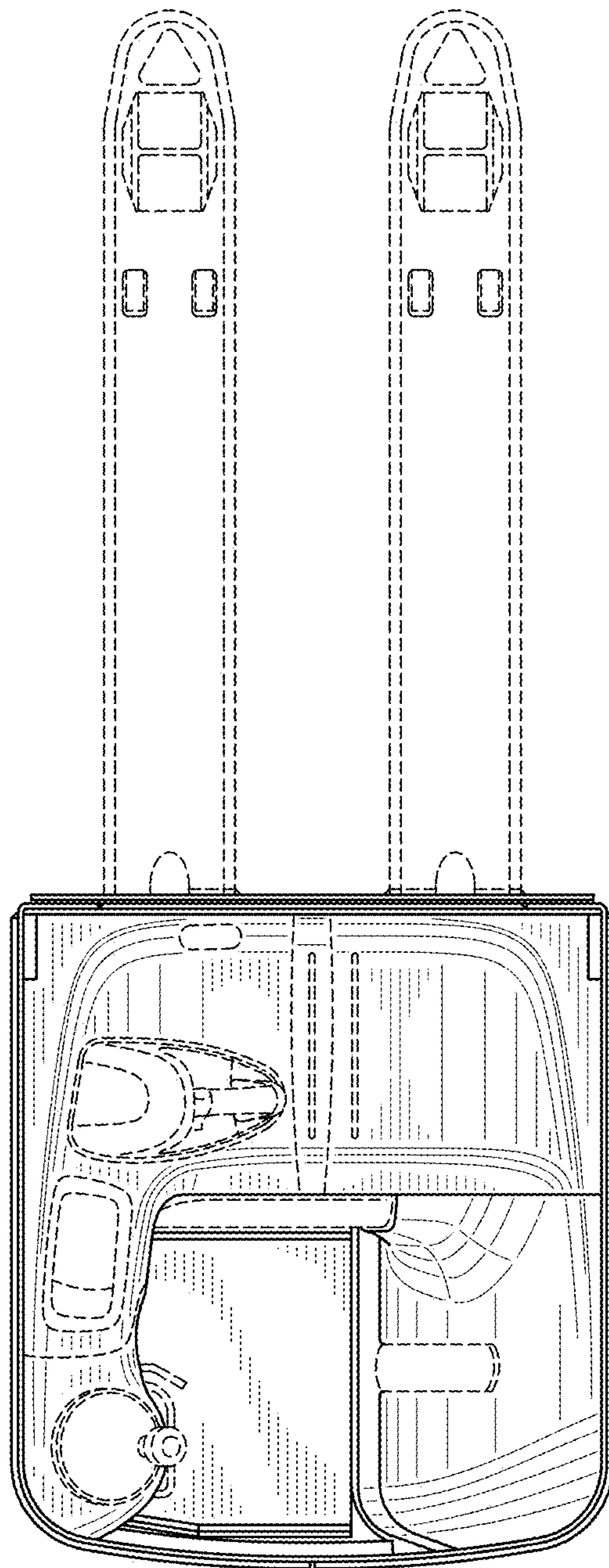


FIG. 7

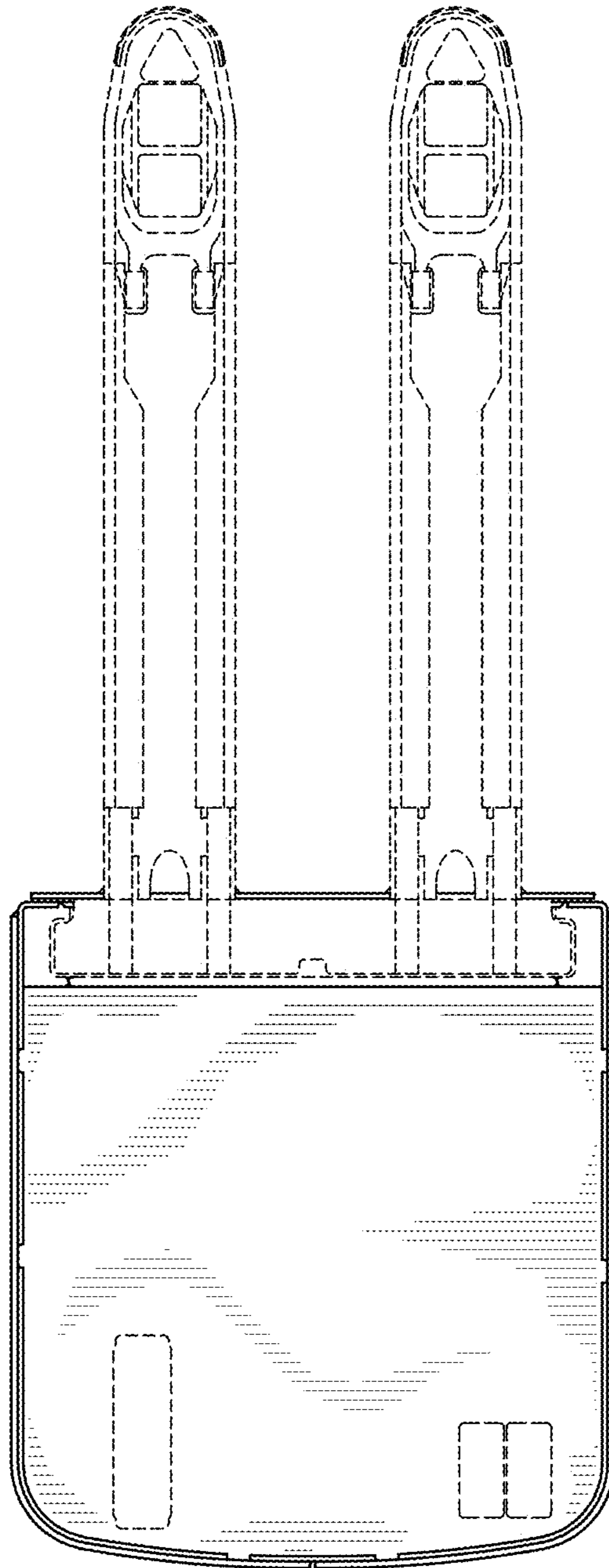


FIG. 8



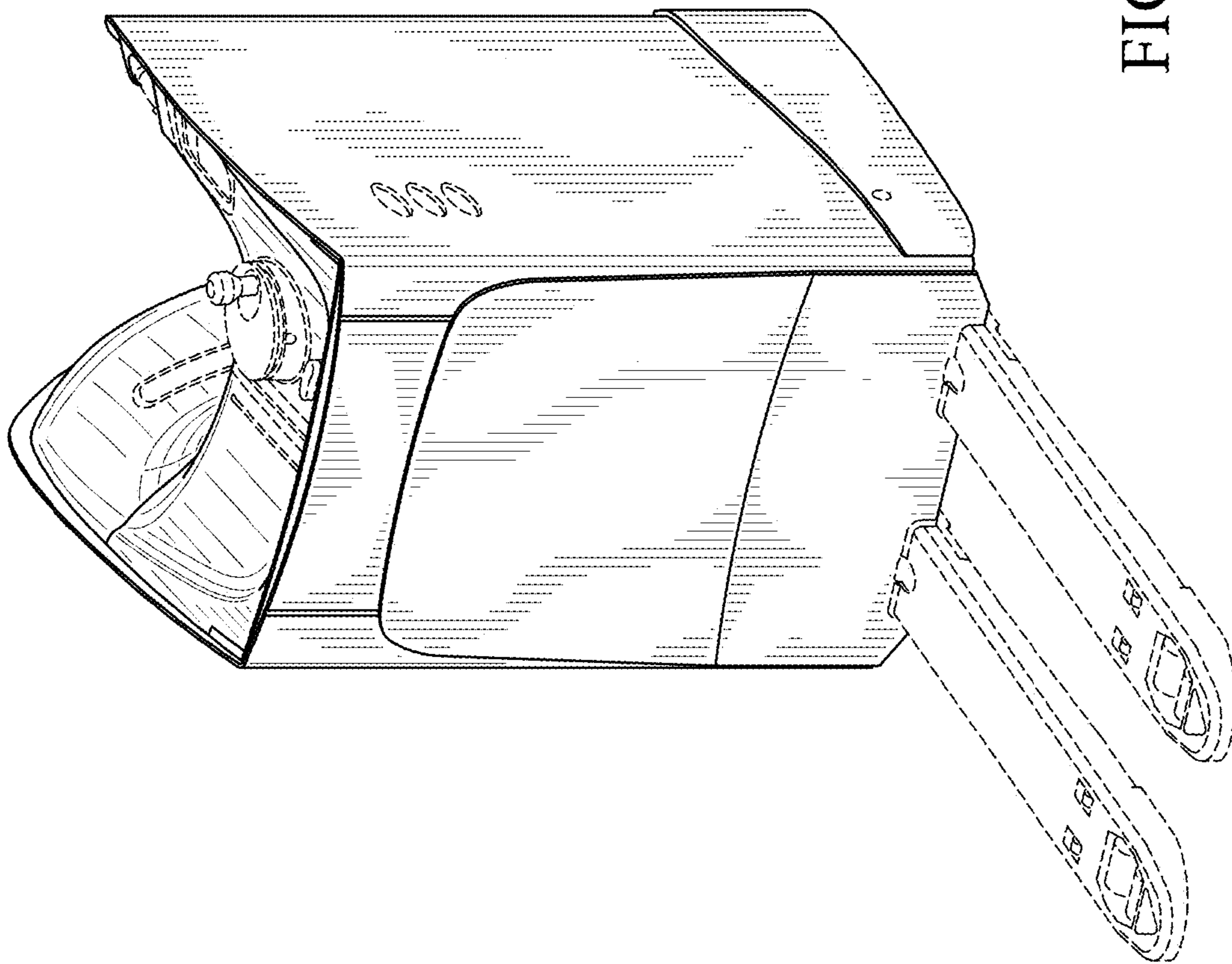


FIG. 9

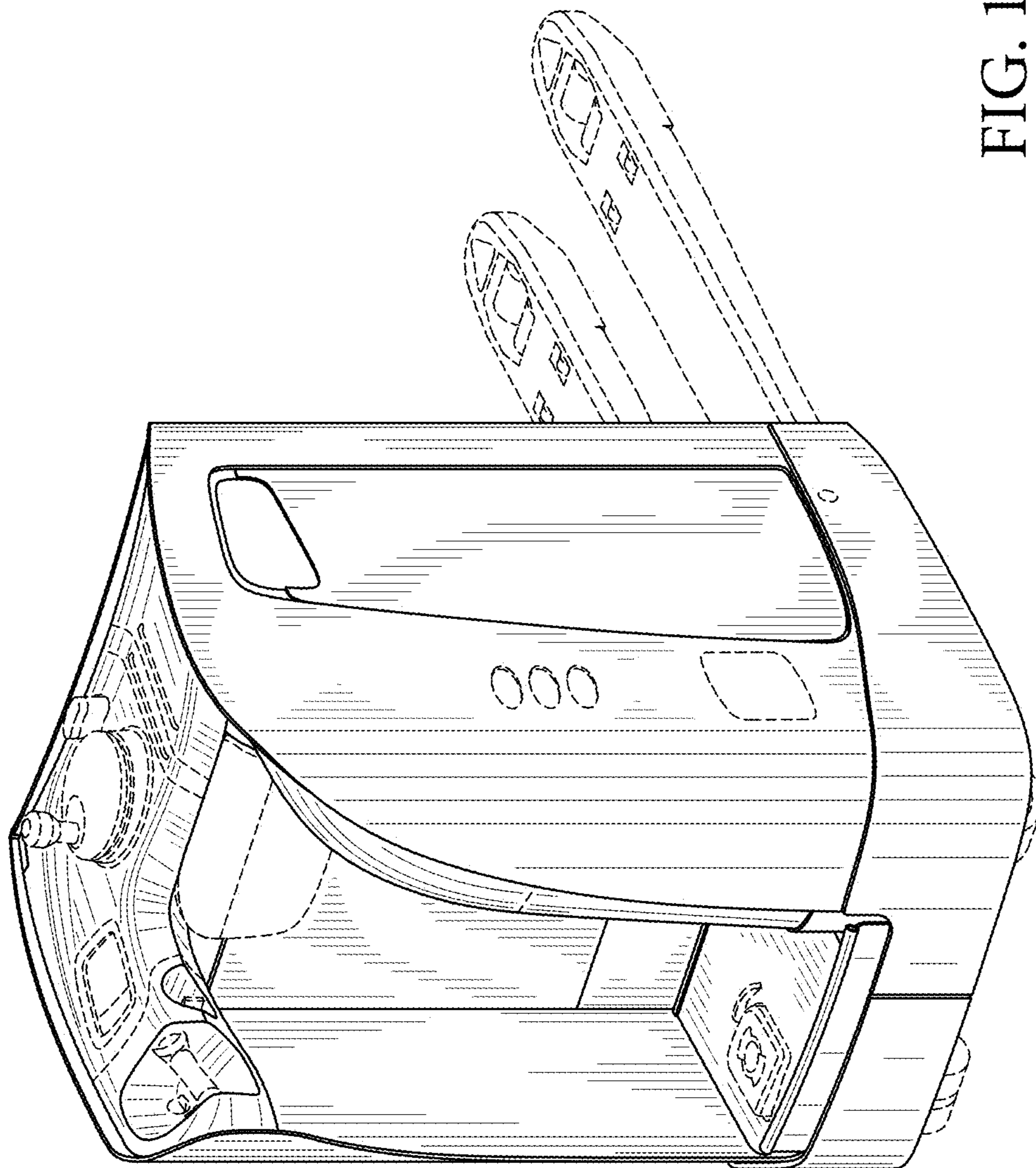


FIG. 10

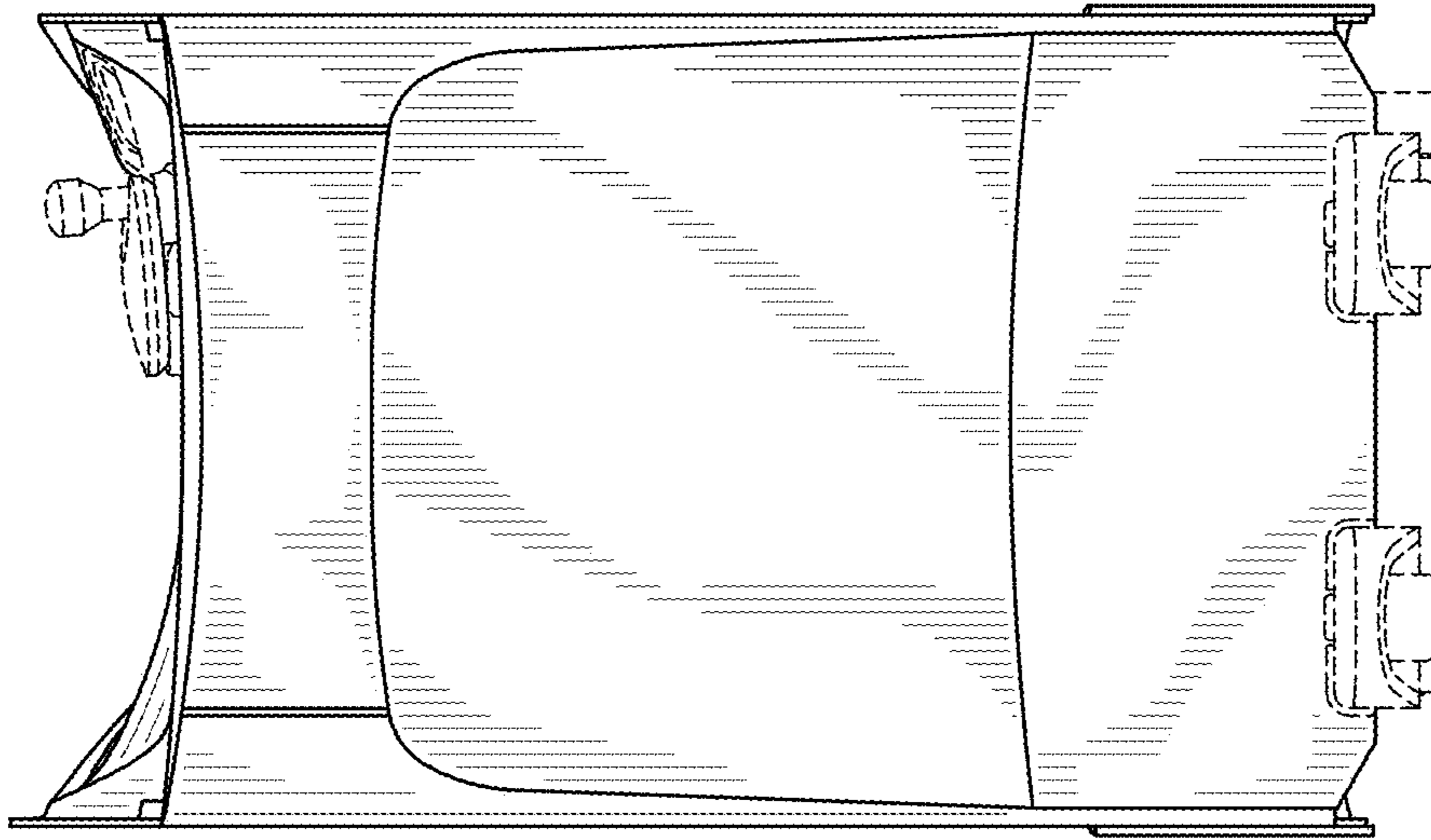


FIG. 12

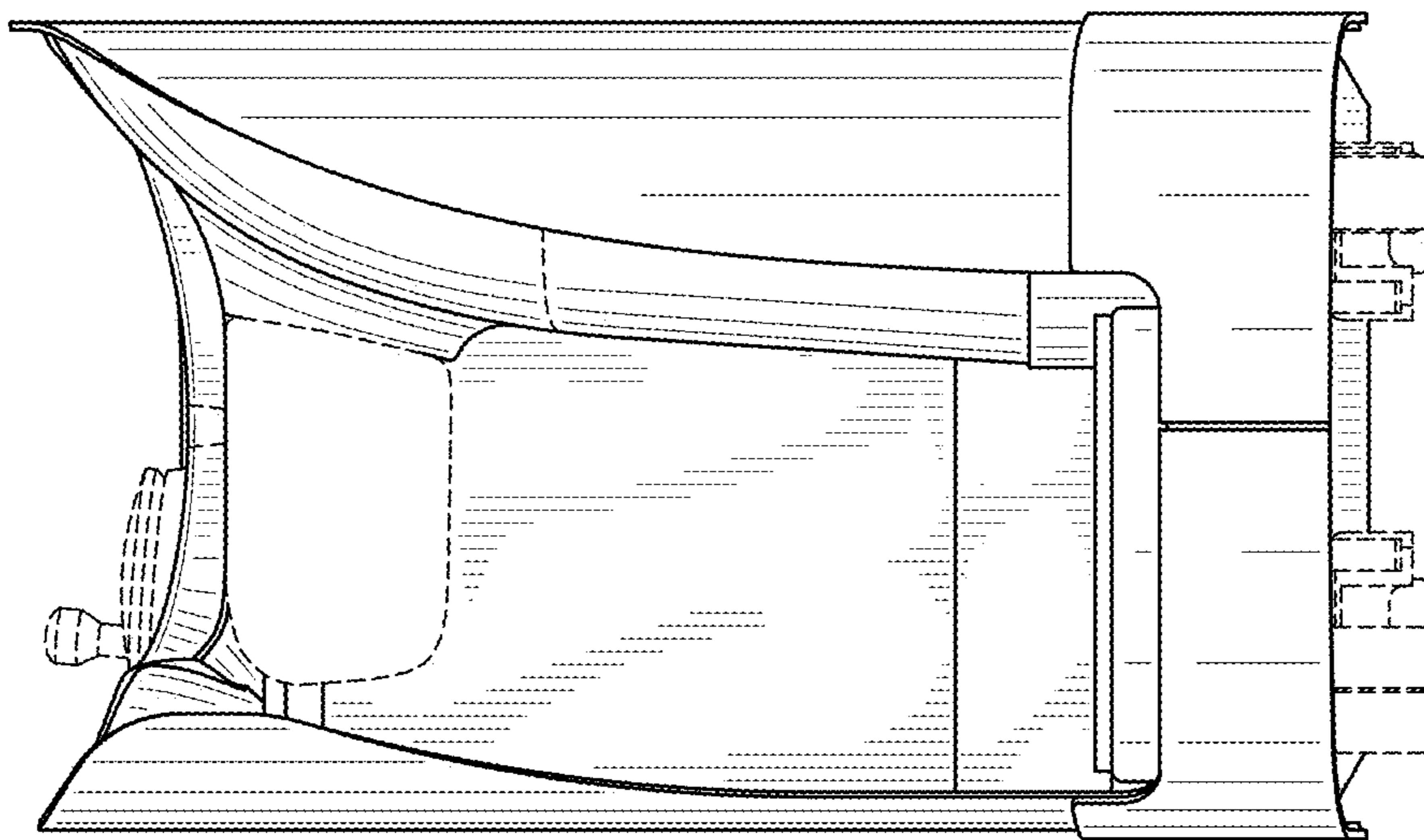


FIG. 11

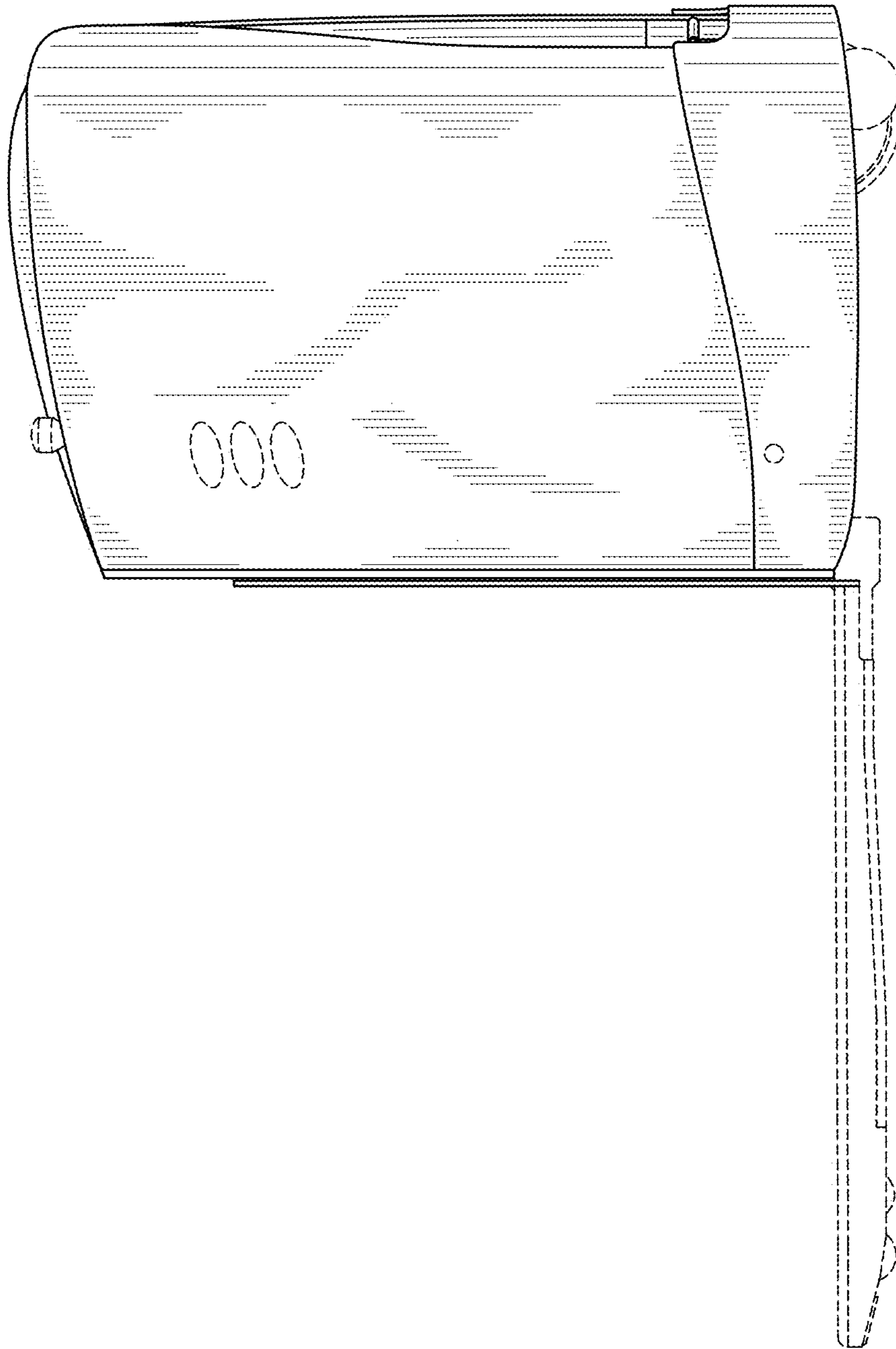


FIG. 13

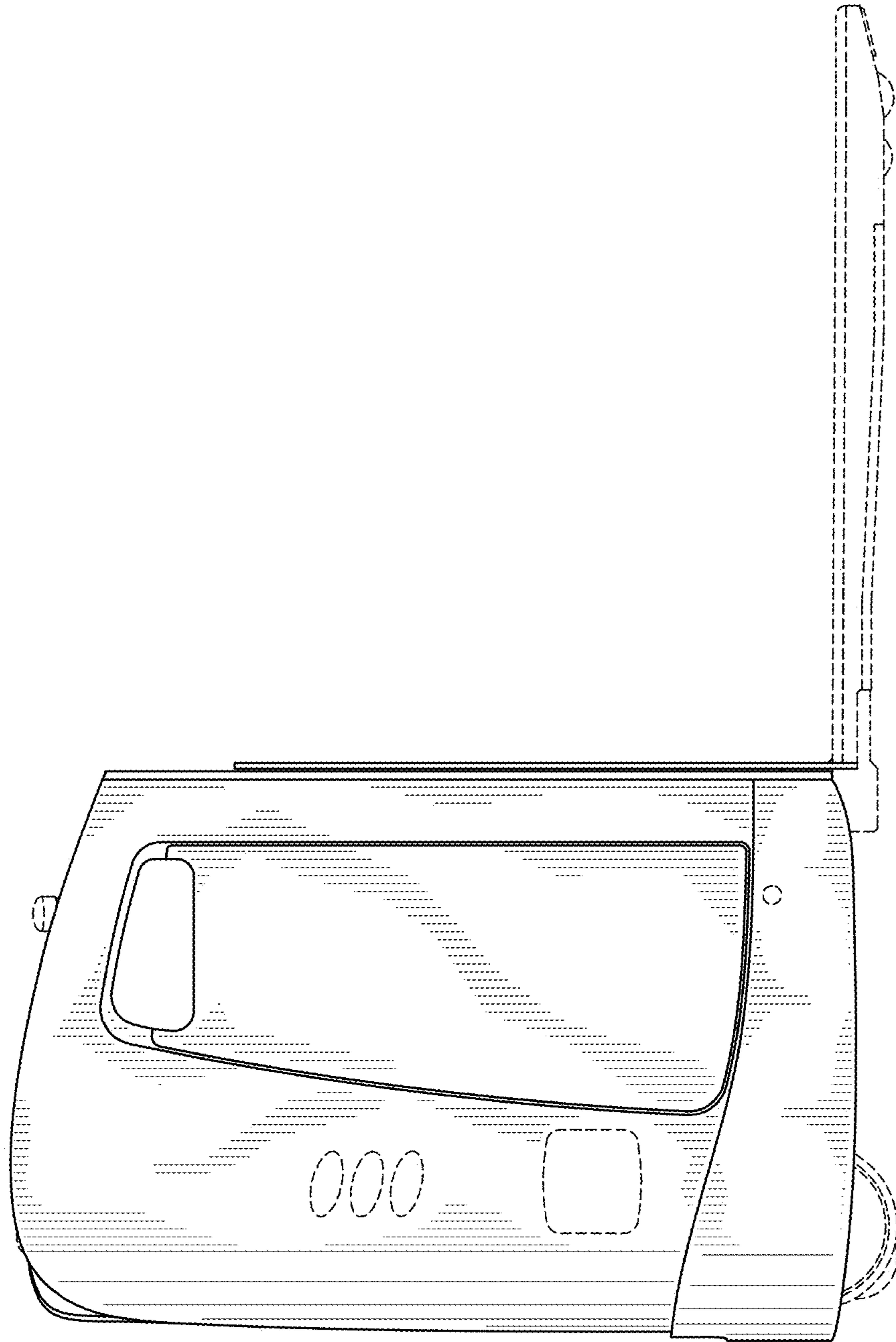


FIG. 14



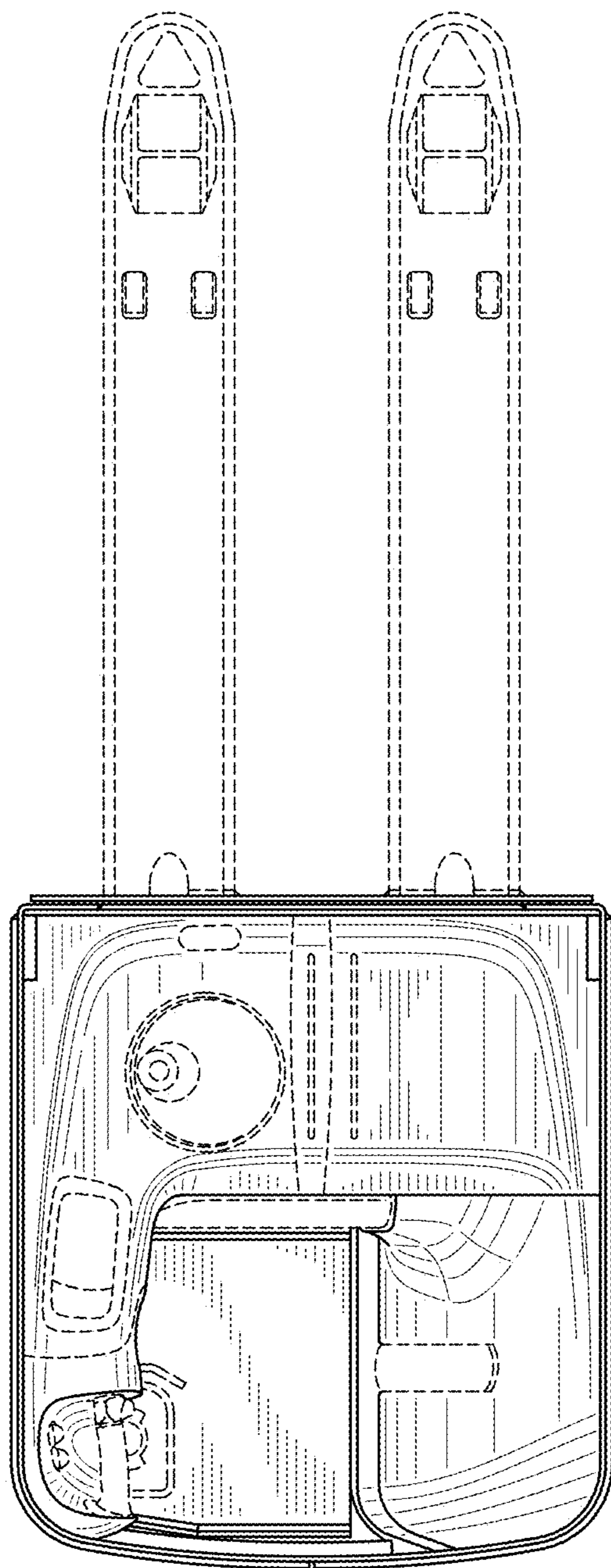


FIG. 15

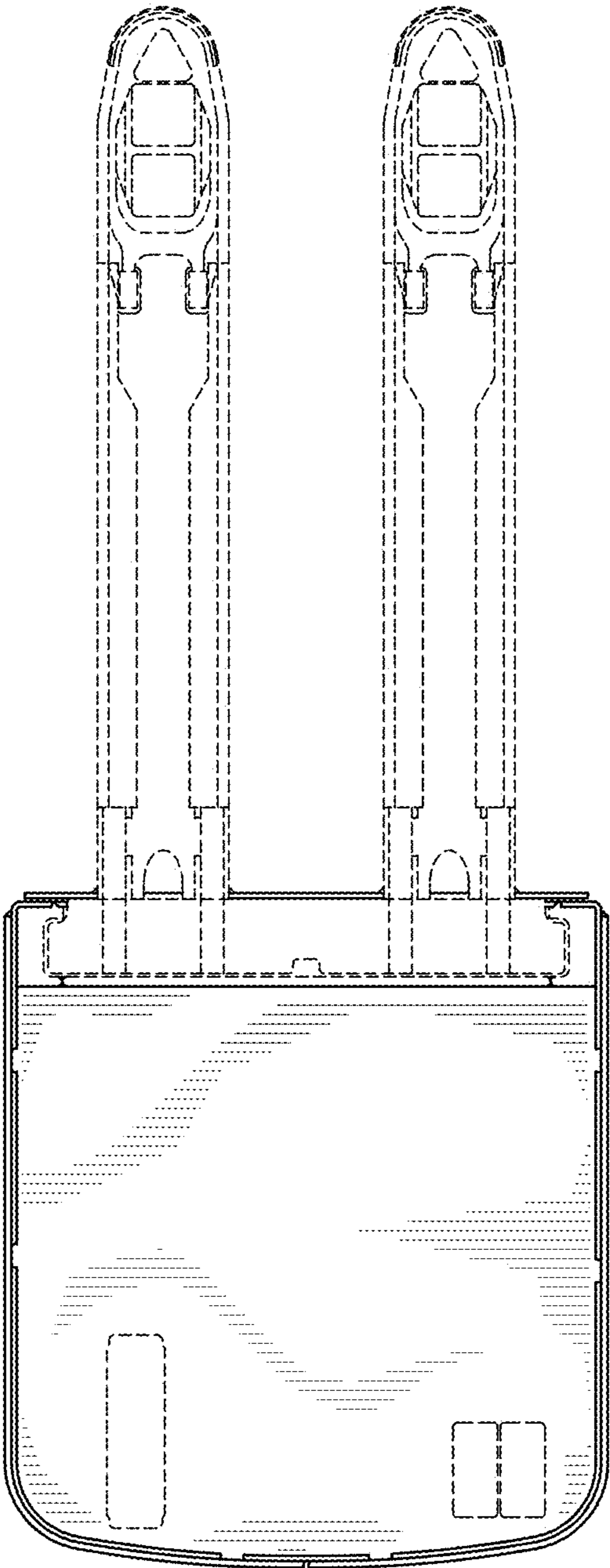


FIG. 16