



US00D764736S

(12) **United States Design Patent**
Fox et al.

(10) **Patent No.:** **US D764,736 S**
(45) **Date of Patent:** **** Aug. 23, 2016**

(54) **SERVICE JACK**

(71) Applicant: **International Specialty Services, Inc.**,
Travelers Rest, SC (US)

(72) Inventors: **Robert Fox**, Greenville, SC (US); **Chad James**, Greenville, SC (US)

(73) Assignee: **International Specialty Services, Inc.**,
Travelers Rest, SC (US)

(**) Term: **14 Years**

(21) Appl. No.: **29/520,241**

(22) Filed: **Mar. 12, 2015**

(51) **LOC (10) Cl.** **12-05**

(52) **U.S. Cl.**
USPC **D34/31**

(58) **Field of Classification Search**
USPC D34/31; 254/83, 84, 11, 93 H, 2 B, 88,
254/DIG. 3, 48, 94, 93 R, 8 B, 2 R
CPC B66F 13/00; B66F 1/00; B66F 1/02;
B66F 1/06; B66F 1/08; B66F 3/30; B66F
3/25; B66F 3/12; B66F 3/18; B66F 3/28;
B66F 3/24; B66F 3/247
See application file for complete search history.

(56) **References Cited**

U.S. PATENT DOCUMENTS

D284,417 S 6/1986 Yamahishi
D296,598 S 7/1988 Hung
D332,337 S 1/1993 Wang
D480,195 S * 9/2003 Koerlin D12/133

D480,196 S 9/2003 Hsu
D604,025 S 11/2009 Lin
D688,845 S 8/2013 Hernandez et al.
8,500,095 B1 * 8/2013 Salcedo B66F 5/025
254/101
8,608,131 B2 12/2013 Kania
8,622,369 B2 1/2014 Kania
D720,514 S 12/2014 Fox et al.
D720,914 S 1/2015 Fox et al.
D720,915 S 1/2015 Fox et al.
D730,612 S 5/2015 Fox et al.
2006/0278858 A1 12/2006 Brocchini
2008/0083913 A1 4/2008 Fang et al.

* cited by examiner

Primary Examiner — Cynthia Ramirez

(74) *Attorney, Agent, or Firm* — J. Bennett Mullinax, LLC

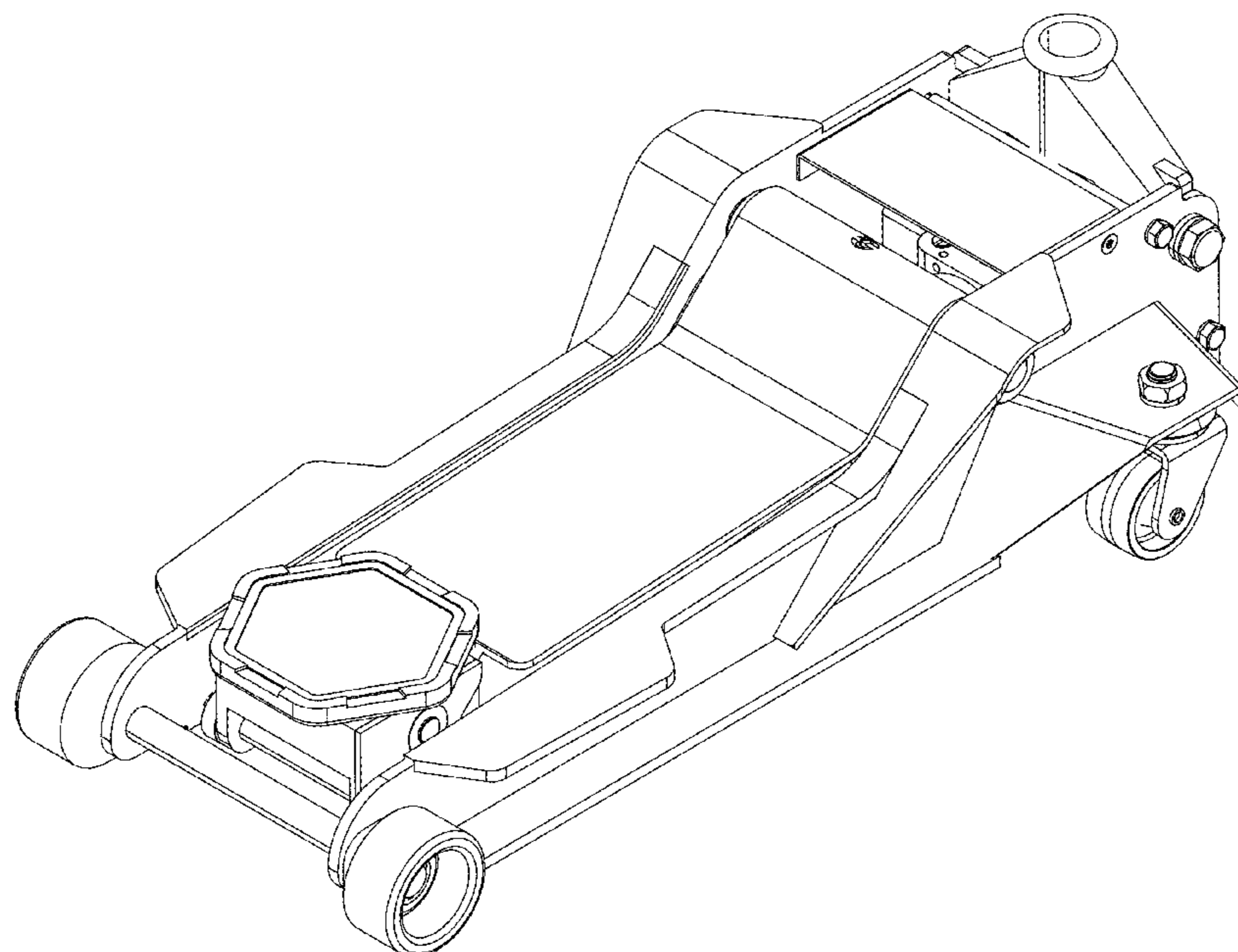
(57) **CLAIM**

The ornamental design for a service jack, as shown and described.

DESCRIPTION

FIG. 1 is a right side perspective view of the service jack as shown in FIG. 1;
FIG. 2 is a left side view of the service jack as shown in FIG. 1; the right side being a mirror image thereof;
FIG. 3 is a rear view of the service jack as shown in FIG. 1;
FIG. 4 is a bottom view of the service jack as shown in FIG. 1;
FIG. 5 is a front view of the service jack as shown in FIG. 1;
FIG. 6 is a right rear perspective view of the service jack as shown in FIG. 1; and,
FIG. 7 is a top view of the service jack as shown in FIG. 1.

1 Claim, 7 Drawing Sheets



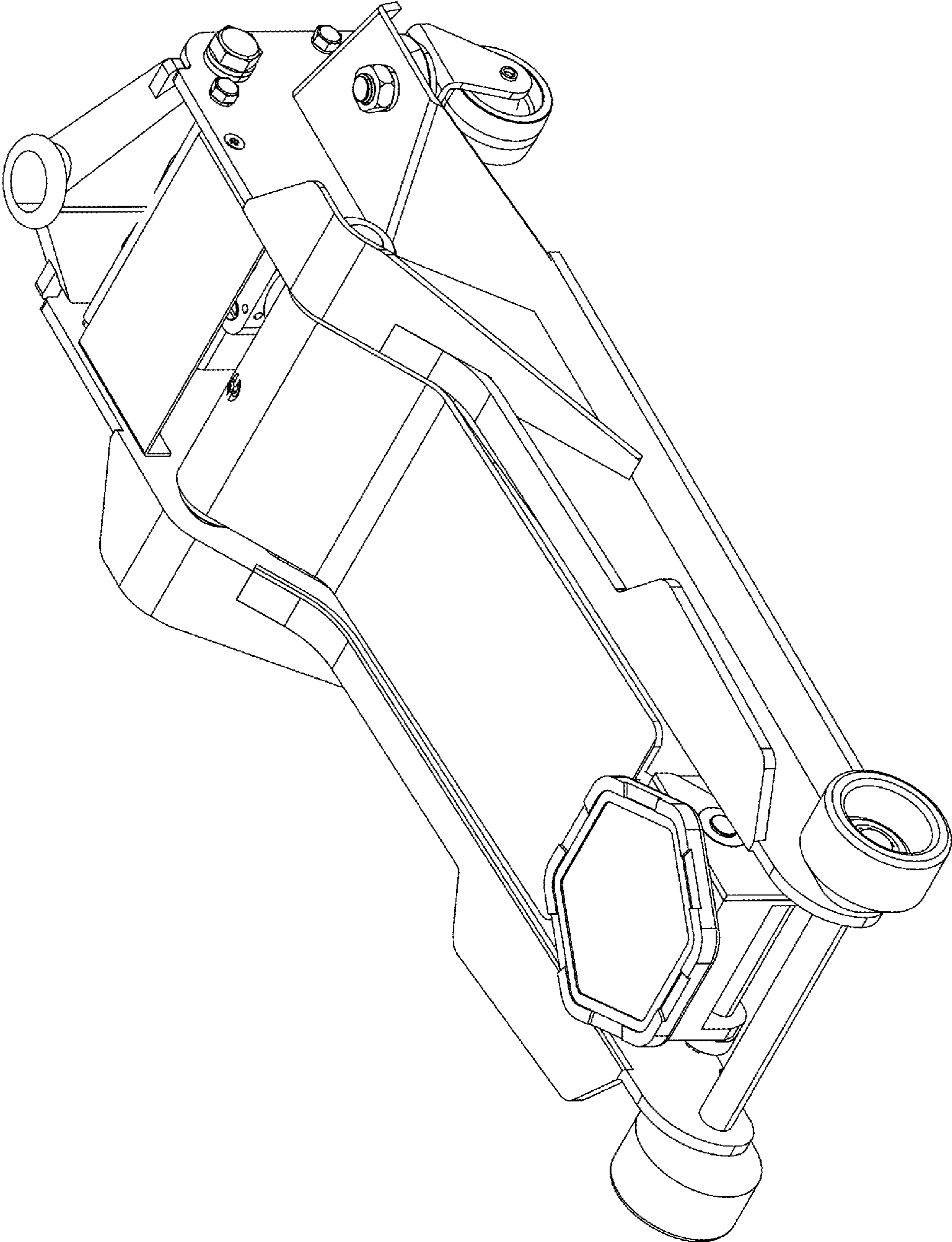


FIGURE 1

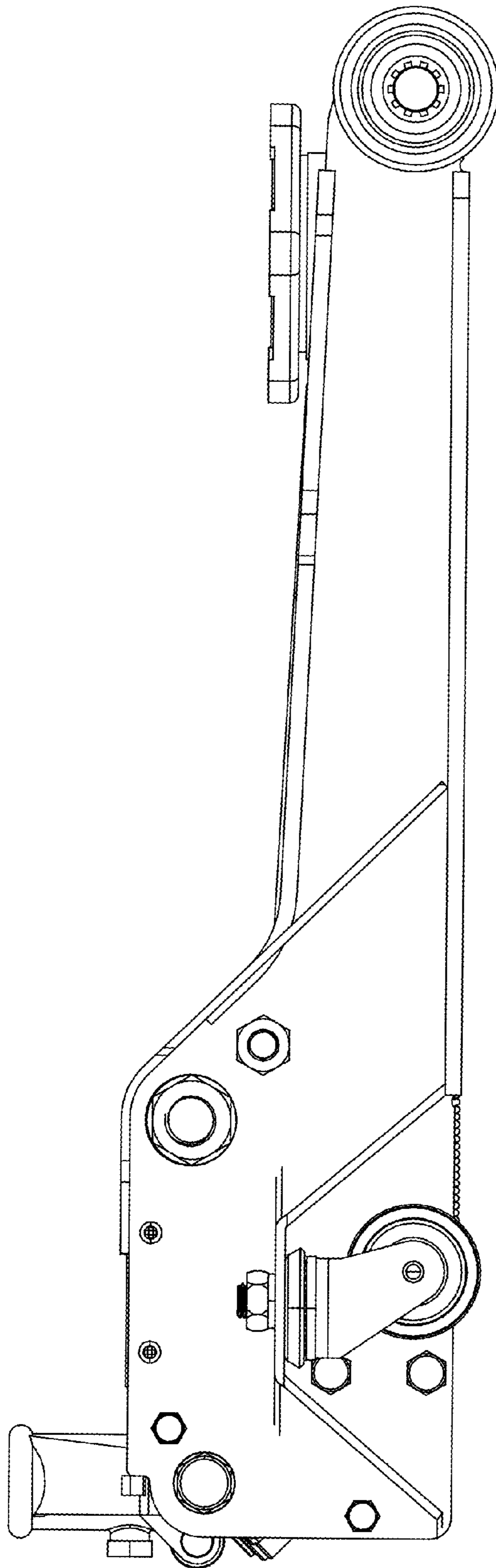


FIGURE 2

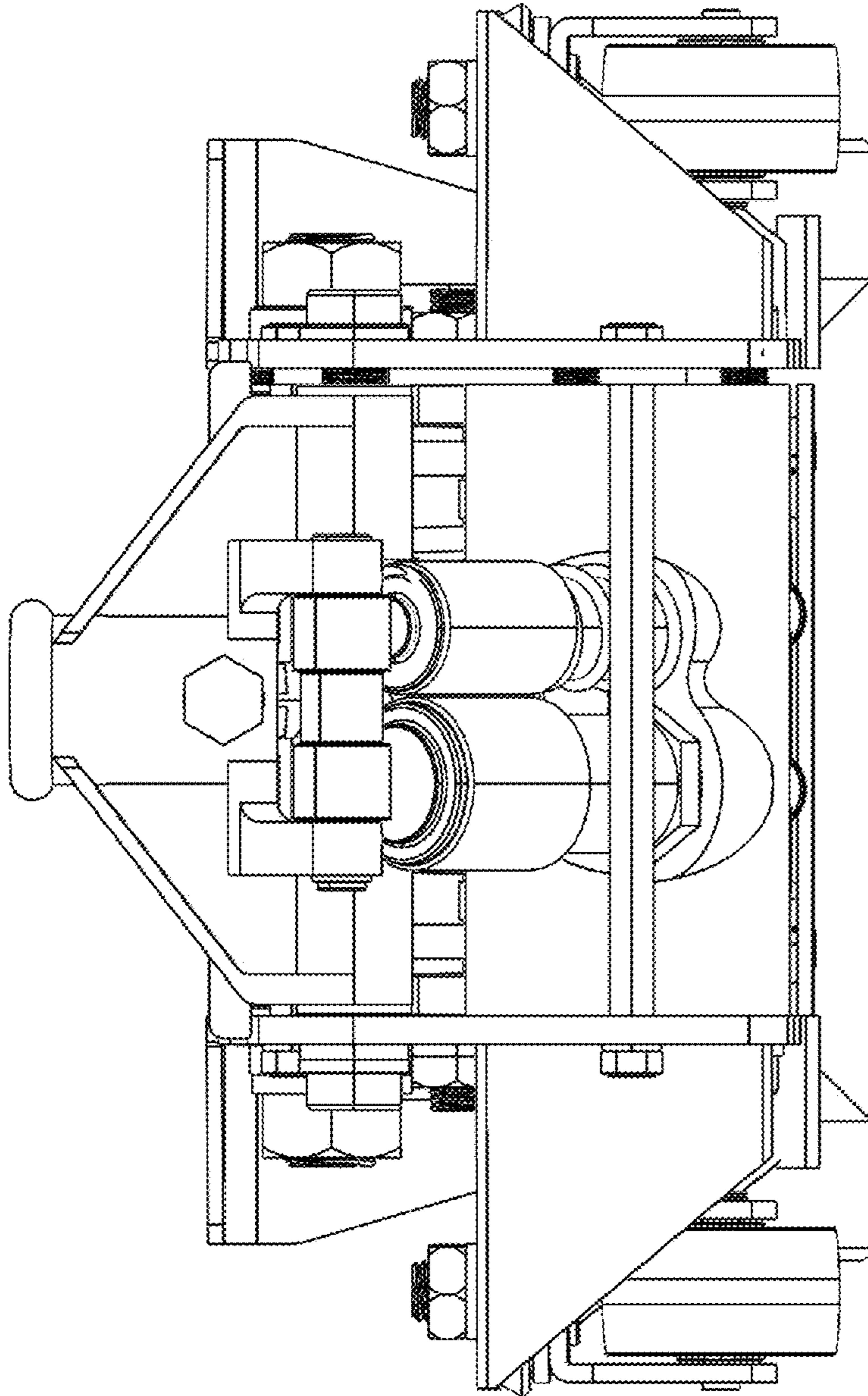


FIGURE 3

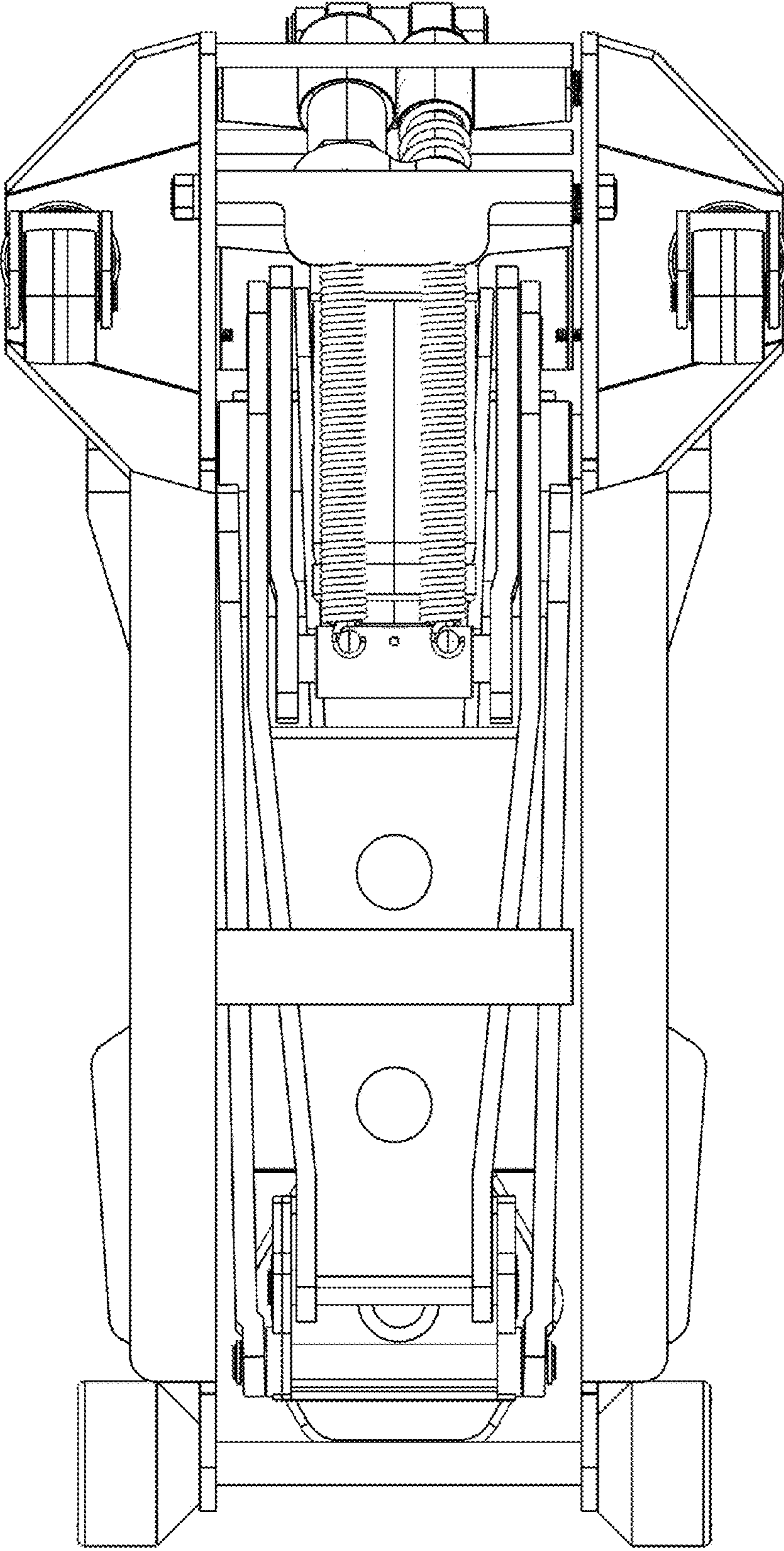


FIGURE 4

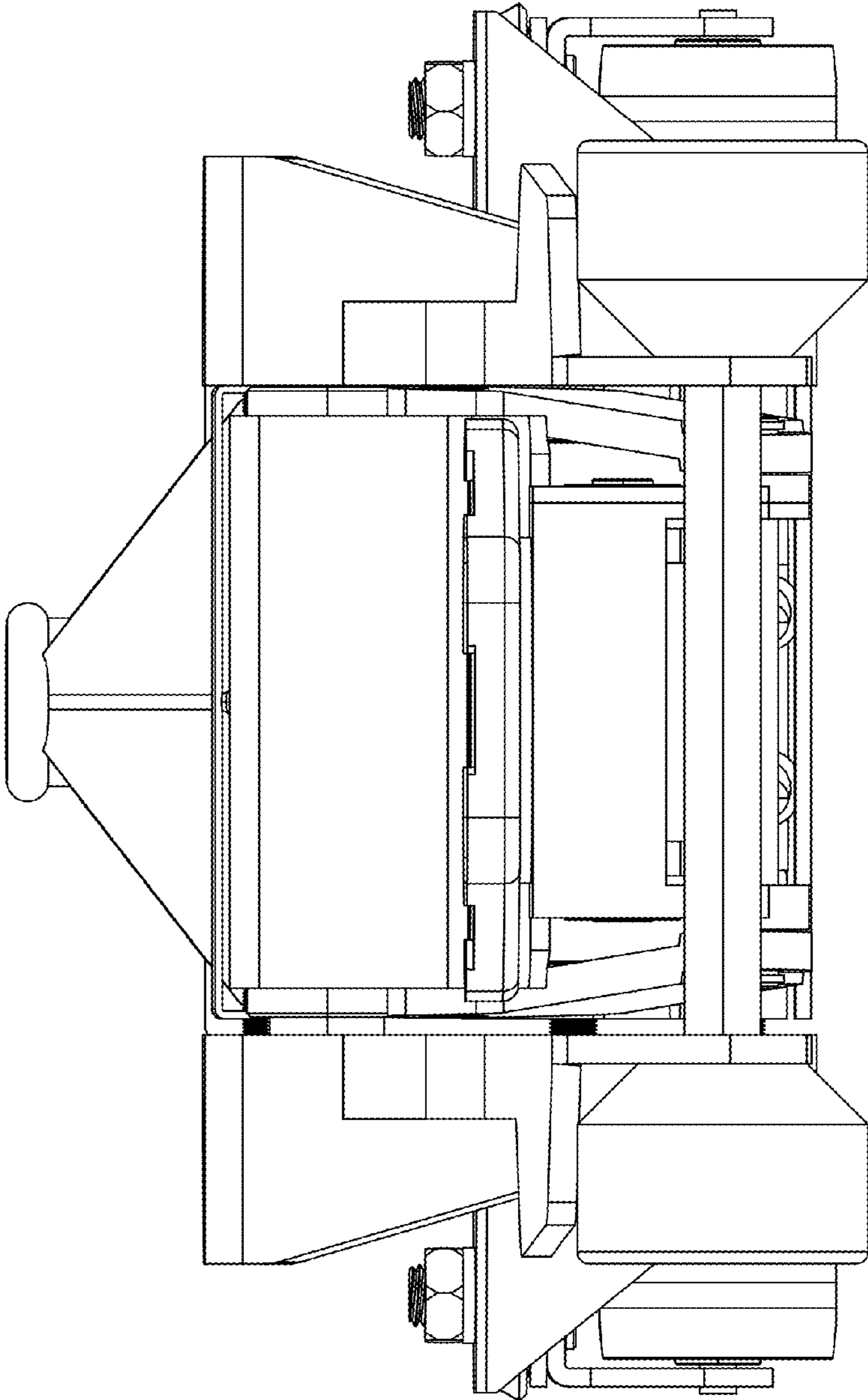


FIGURE 5

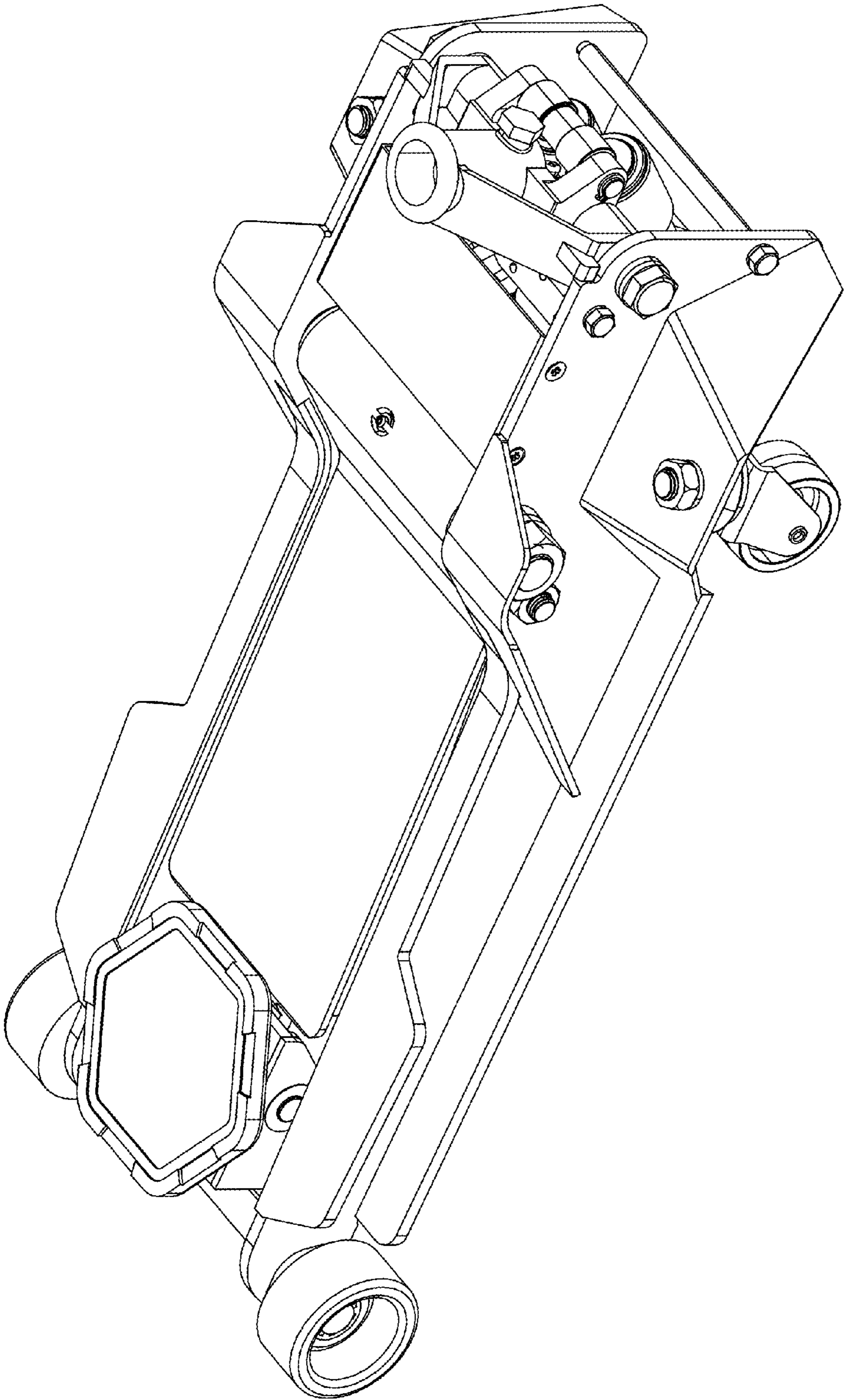


FIGURE 6

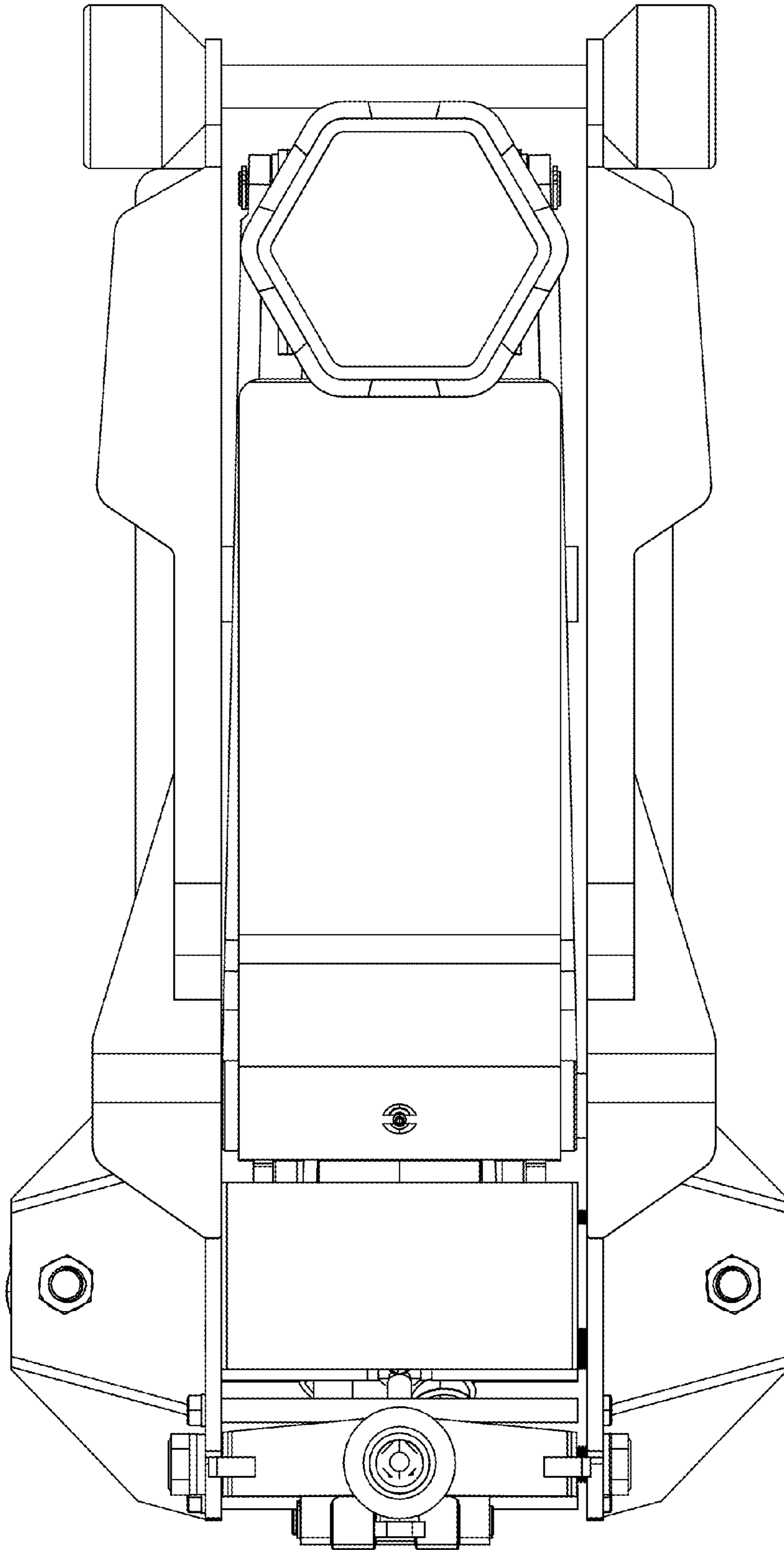


FIGURE 7