



US00D764735S

(12) **United States Design Patent** (10) **Patent No.:** **US D764,735 S**
Avery (45) **Date of Patent:** **** Aug. 23, 2016**

(54) **LUGGAGE DOLLY**

(71) Applicant: **Randy A. Avery**, Port Orchard, WA (US)

(72) Inventor: **Randy A. Avery**, Port Orchard, WA (US)

(73) Assignee: **Randy Avery**, Port Orchard, WA (US)

(**) Term: **14 Years**

(21) Appl. No.: **29/513,205**

(22) Filed: **Dec. 29, 2014**

(51) **LOC (10) Cl.** **12-02**

(52) **U.S. Cl.**
USPC **D34/12**

(58) **Field of Classification Search**
USPC D34/12-27; 280/47.24, 47.131, 47.29, 280/47.18, 47.14, 47.27, 652, 651, 79.11, 280/79.15
CPC B62B 1/262; B62B 1/264; B62B 1/14; B62B 1/12; B62B 1/10; B62B 1/1415
See application file for complete search history.

(56) **References Cited**

U.S. PATENT DOCUMENTS

2,842,373 A * 7/1958 Duerr B62B 1/14 108/25
D345,842 S * 4/1994 Sloan D34/24

D441,935 S * 5/2001 Cook D34/12
6,357,063 B1 * 3/2002 Selby A61G 5/00 280/47.131
D638,190 S * 5/2011 Spann D34/14
D715,511 S * 10/2014 Okwumabua D34/12
D746,530 S * 12/2015 Marchant D34/26

* cited by examiner

Primary Examiner — Cynthia Ramirez

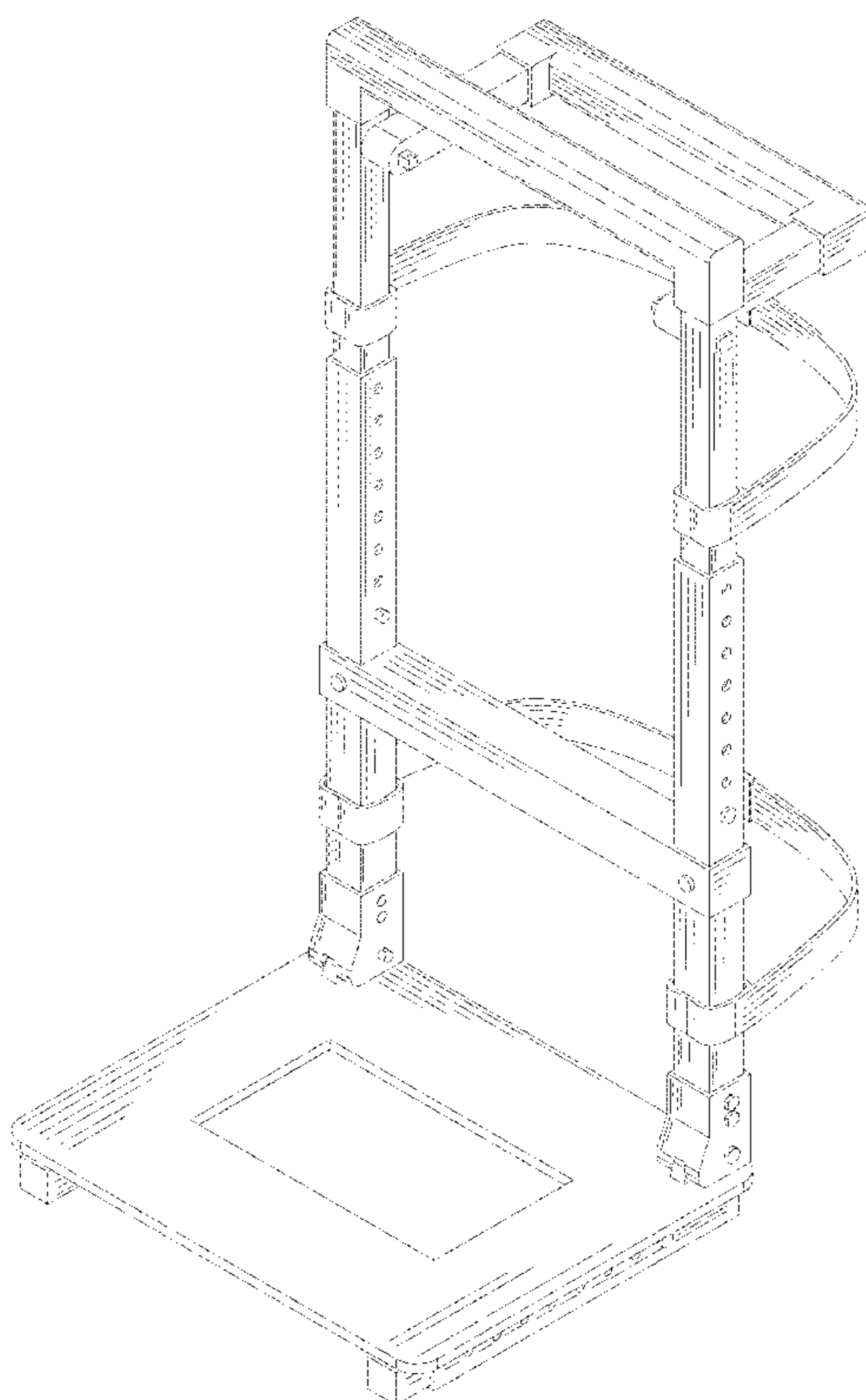
(57) **CLAIM**

The ornamental design for a luggage dolly, as shown and described.

DESCRIPTION

FIG. 1 is a perspective view of the luggage dolly showing my new design;
FIG. 2 is a rear perspective view thereof;
FIG. 3 is a front plane view thereof;
FIG. 4 is a rear plane view thereof;
FIG. 5 is a left plane view thereof;
FIG. 6 is a right plane view thereof;
FIG. 7 is a top plane view thereof; and,
FIG. 8 is a bottom plane view thereof.

1 Claim, 8 Drawing Sheets



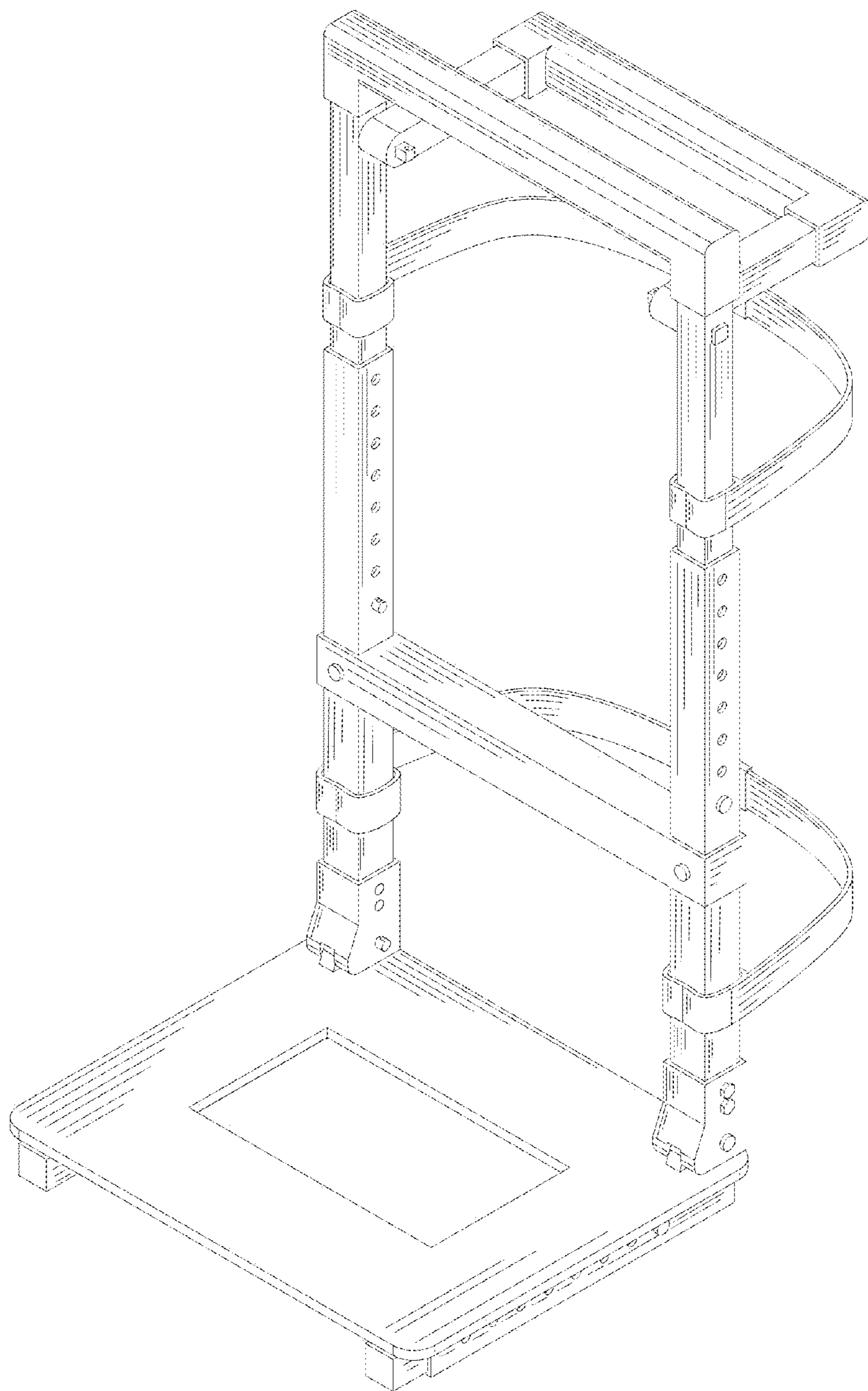


FIG. 1

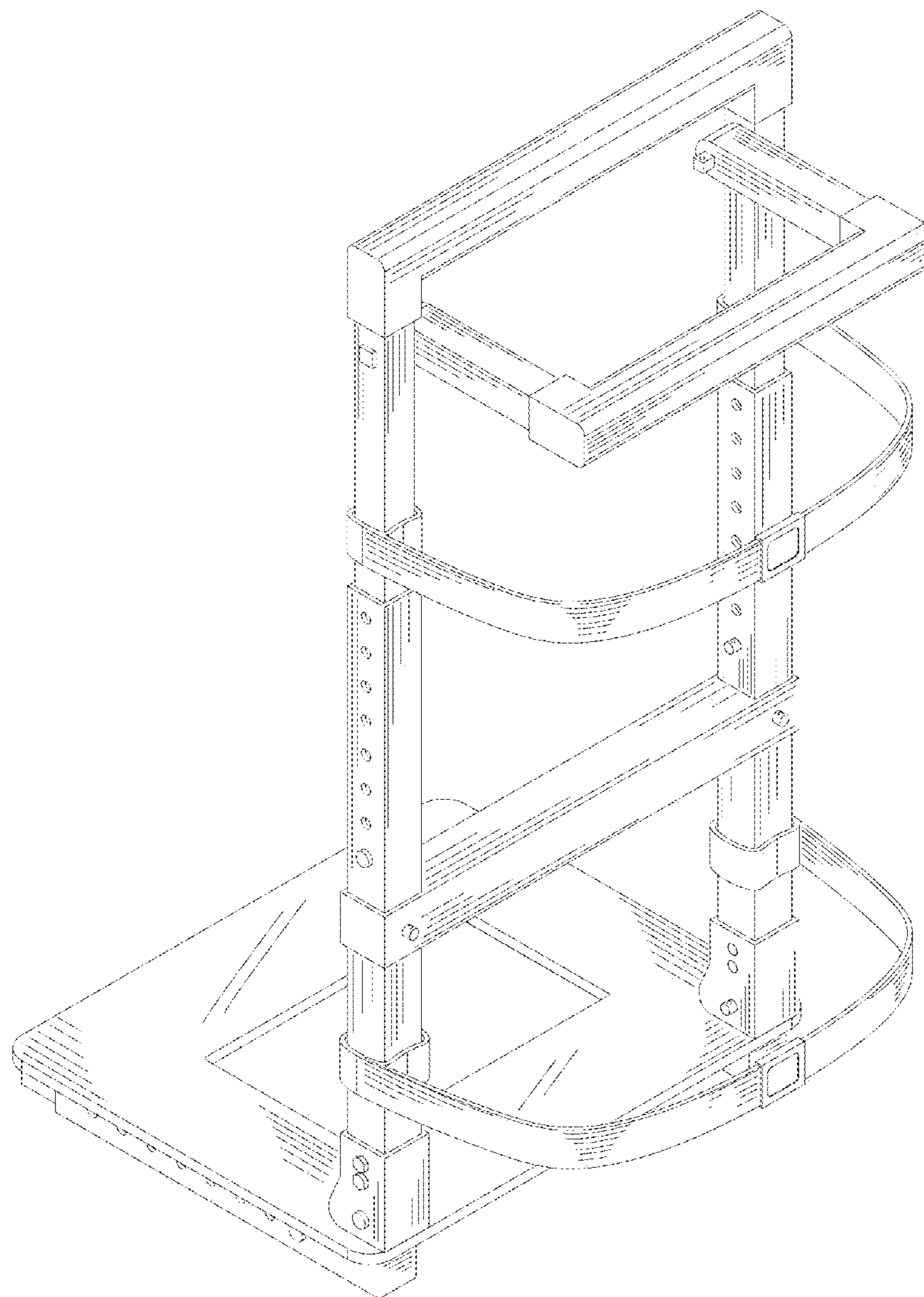


FIG. 2

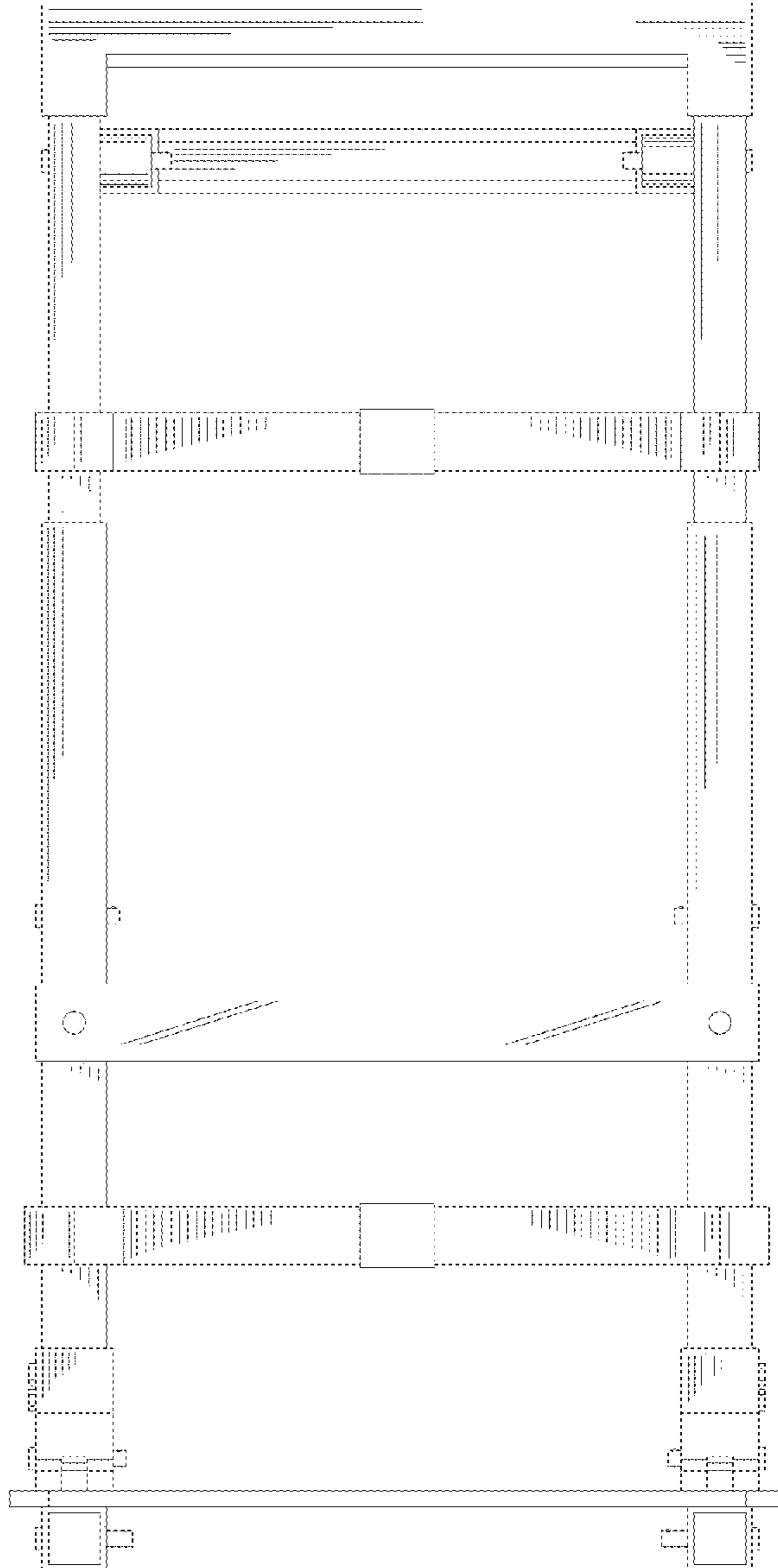


FIG. 3

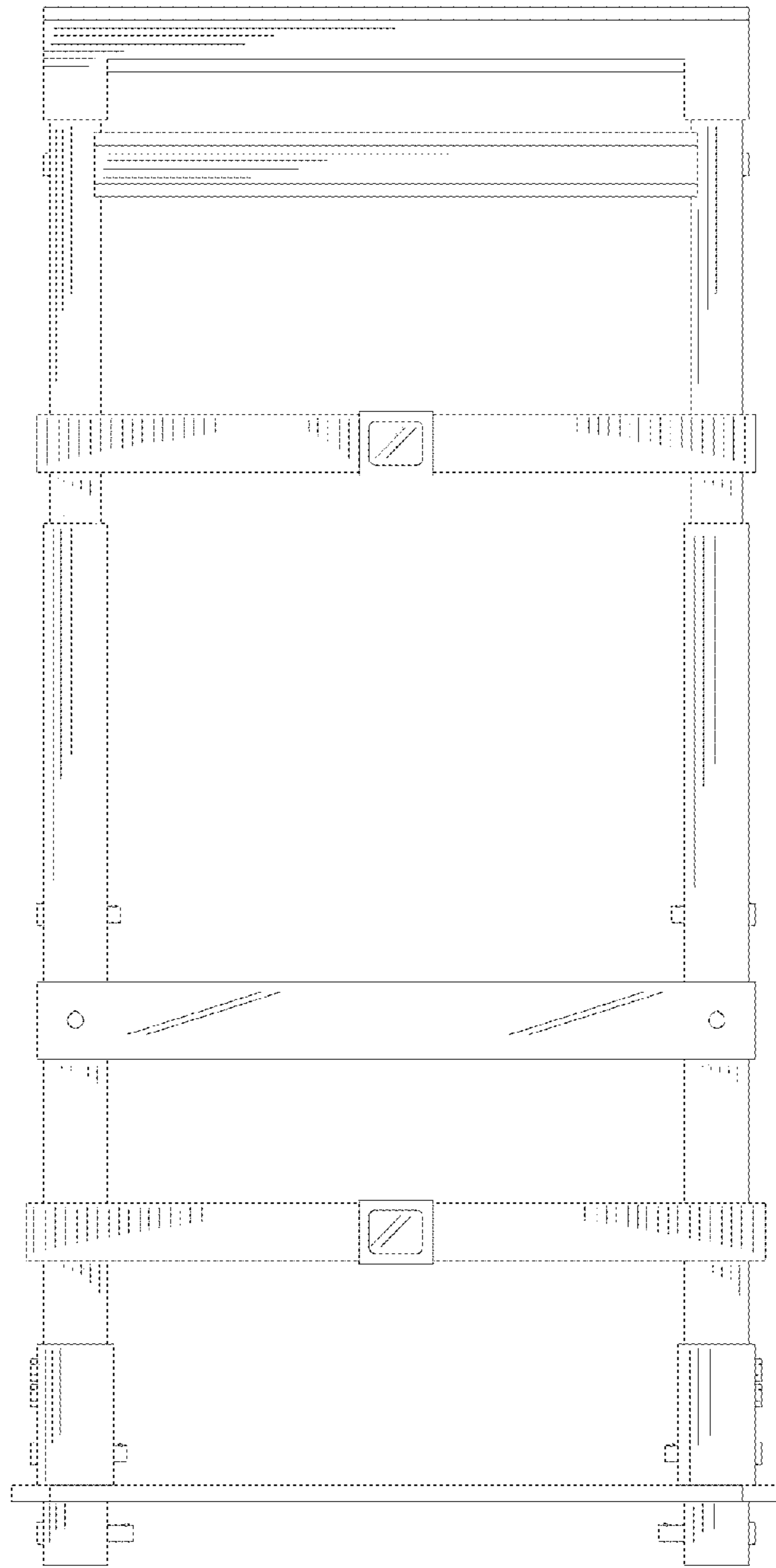


FIG. 4

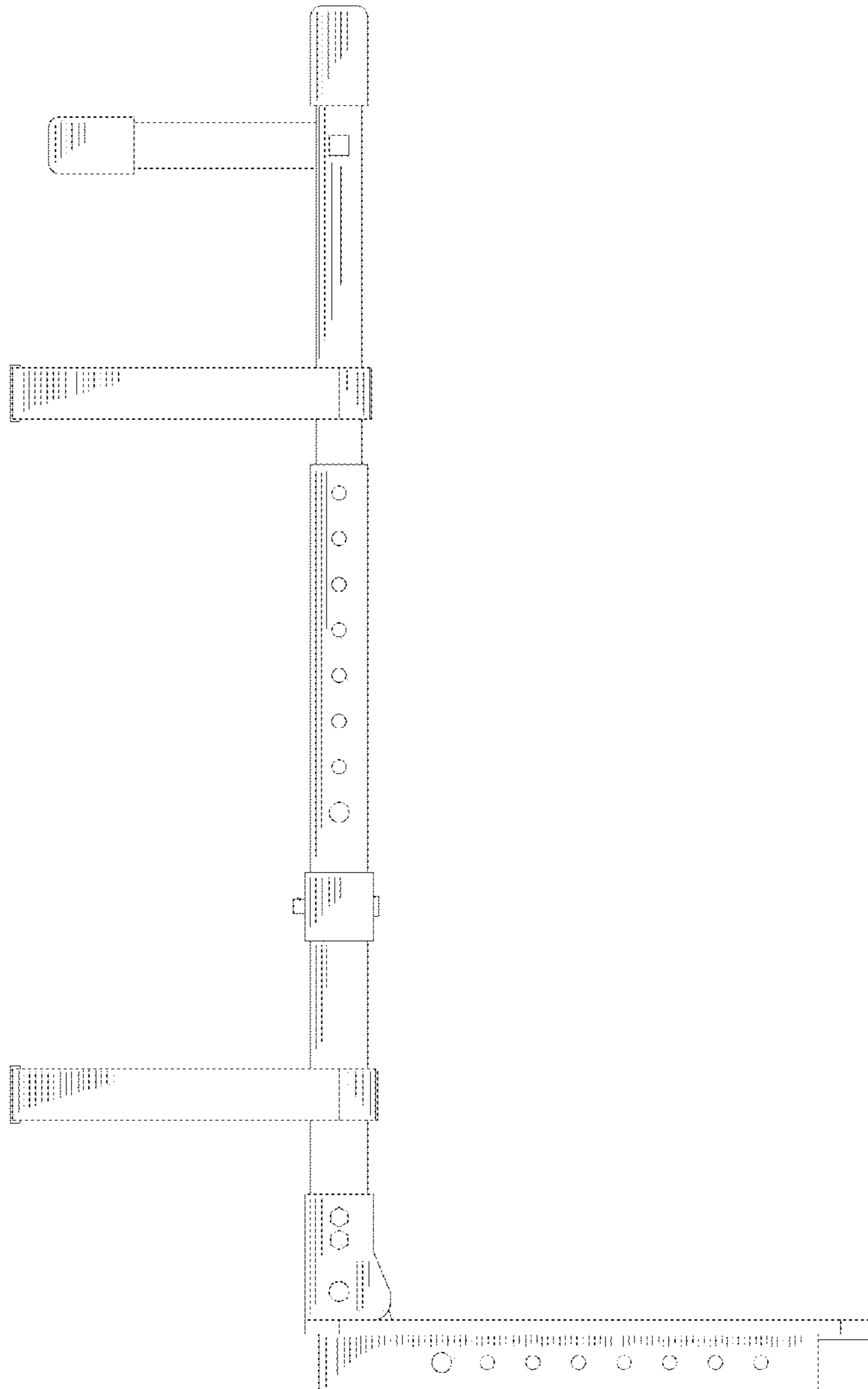


FIG. 5

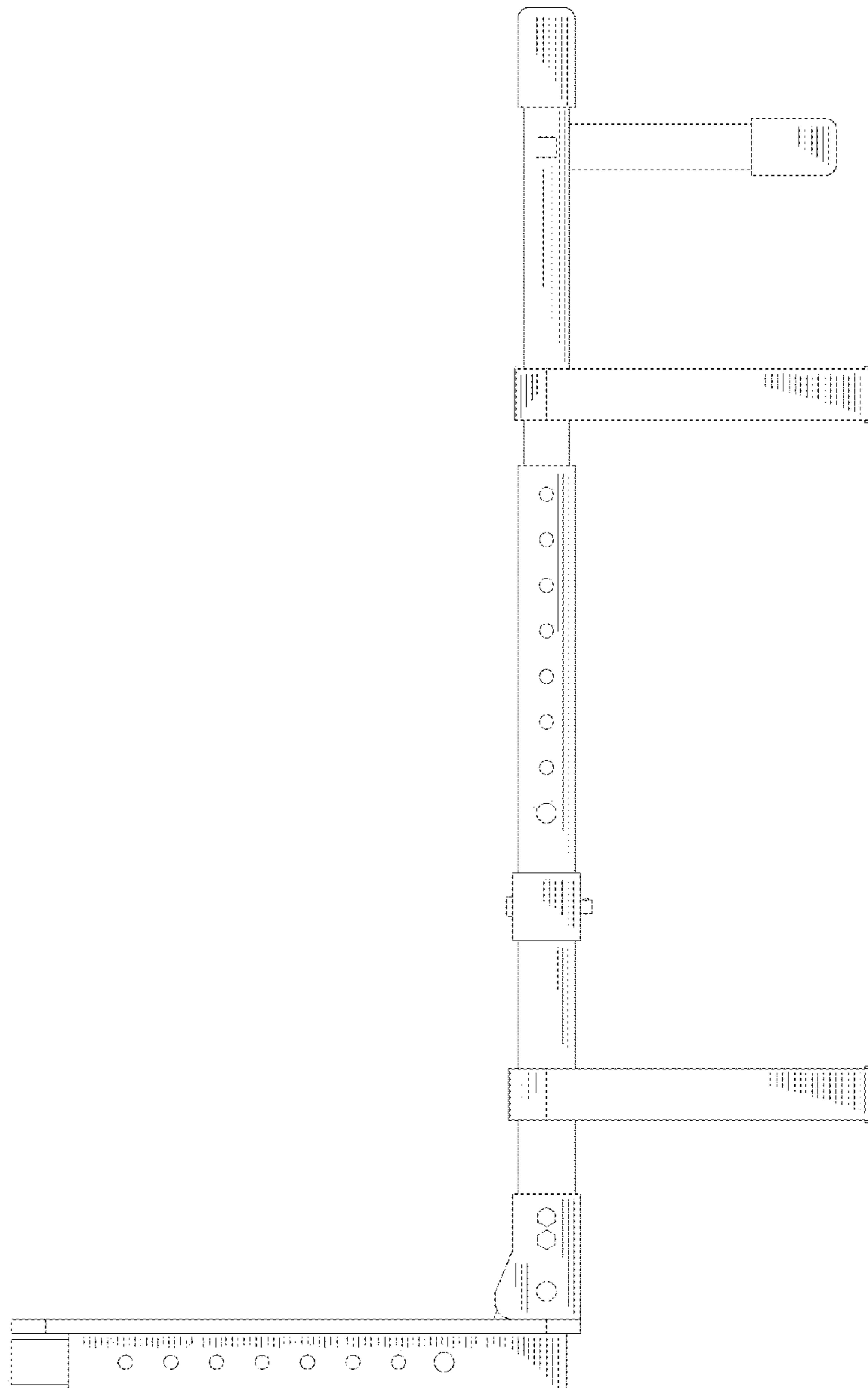


FIG. 6

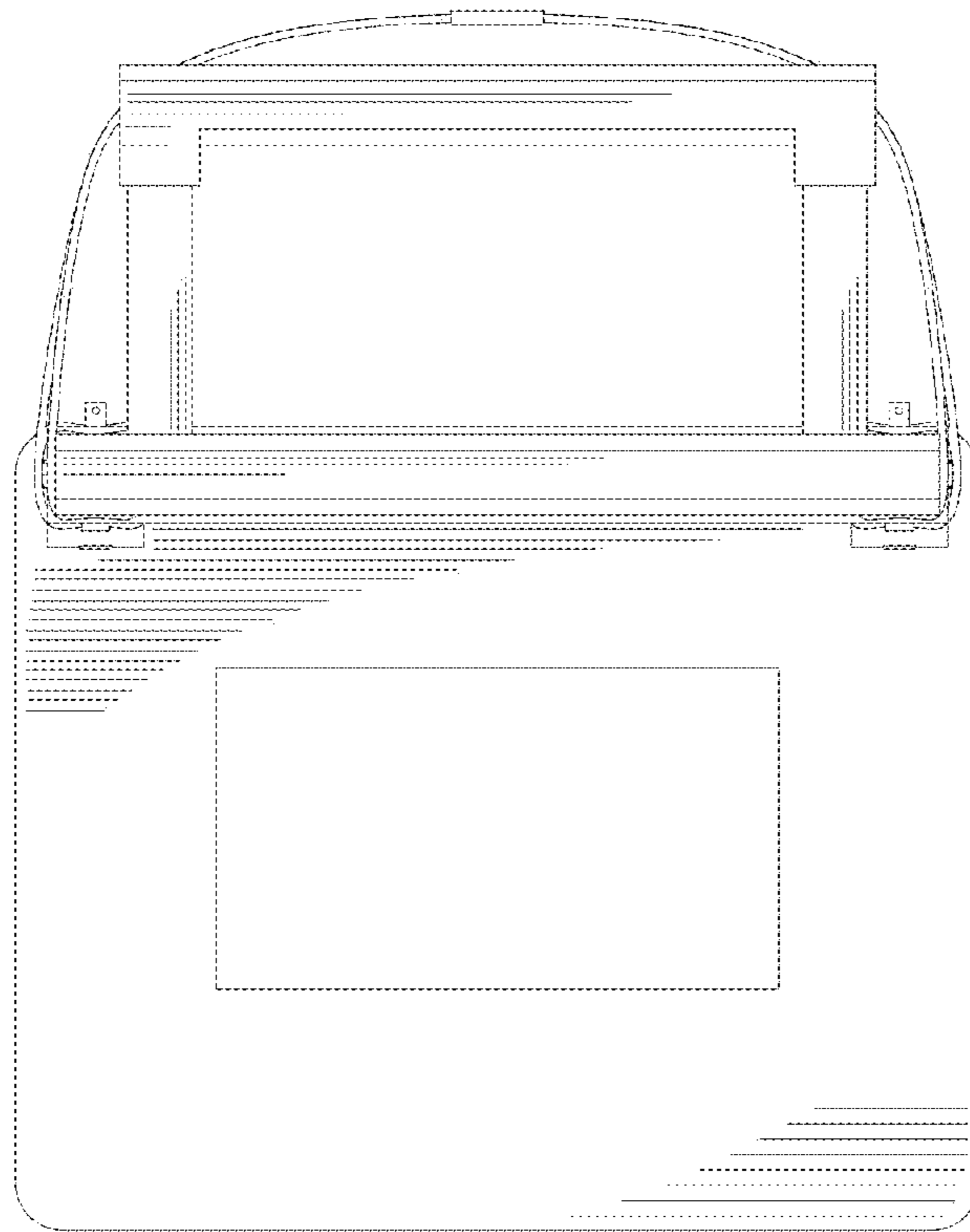


FIG. 7

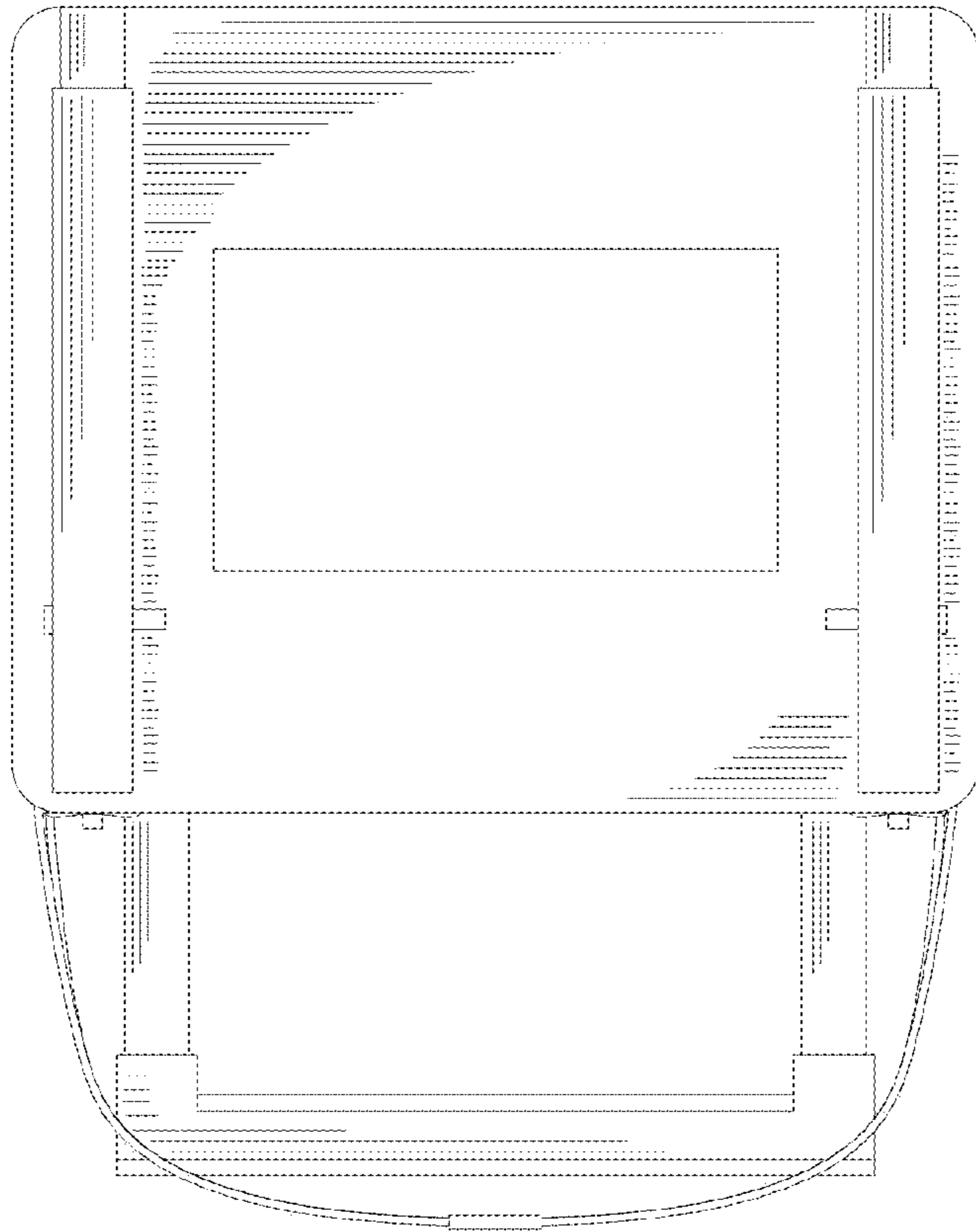


FIG. 8