



US00D764733S

(12) **United States Design Patent**
Kandasamy et al.

(10) **Patent No.:** **US D764,733 S**
(45) **Date of Patent:** **** Aug. 23, 2016**

(54) **BROOM BLOCK**

(71) Applicant: **Freudenberg Household Products LP**,
Aurora, IL (US)

(72) Inventors: **Balaji Kandasamy**, Naperville, IL
(US); **Joseph Seifts**, Naperville, IL
(US)

(73) Assignee: **Freudenberg Household Products LP**,
Aurora, IL (US)

(**) Term: **14 Years**

(21) Appl. No.: **29/497,424**

(22) Filed: **Jul. 24, 2014**

(51) **LOC (10) Cl.** **04-01**

(52) **U.S. Cl.**
USPC **D32/50; D4/199**

(58) **Field of Classification Search**
USPC **D4/100, 118, 130-135, 199;**
D32/50-53

CPC **A46B 3/00; A46B 3/08; A46B 15/0061;**
A46B 15/00; A46B 9/02; A46B 1/20; A46B
1/022; A47L 5/22; A47L 5/24; A47L 13/10;
A47L 13/12; A47L 13/08; A47L 7/08

See application file for complete search history.

(56) **References Cited**

U.S. PATENT DOCUMENTS

4,654,921 A * 4/1987 Dinner **A46B 5/02**
15/143.1
D359,853 S * 7/1995 Haug **D4/129**
D371,003 S * 6/1996 Wolfenden **D4/135**
D383,269 S * 9/1997 Berti **D32/50**
5,799,360 A * 9/1998 Vosbikian **A47L 13/52**
15/159.1
D411,920 S * 7/1999 Vosbikian **D4/135**

(Continued)

FOREIGN PATENT DOCUMENTS

CA 1330330 * 2/2011
CN 3422273 * 2/2005

(Continued)

OTHER PUBLICATIONS

Amazon.com: O-Cedar Outdoor Power Angler Angle Broom:
Everything Else, online, review date Nov. 23, 2012, http://www.amazon.com/O-Cedar-Outdoor-Power-Angler-Angle/dp/B000HM7MUM/ref=cm_cr_ar_p_d_product_top?ie=UTF8, [site visited Mar. 8, 2016 8:28:11 PM].*

(Continued)

Primary Examiner — John Windmuller

Assistant Examiner — John R Yeh

(74) *Attorney, Agent, or Firm* — Leydig, Voit & Mayer, Ltd.

(57) **CLAIM**

The ornamental design for a broom block, as shown and described.

DESCRIPTION

FIG. 1 is a perspective view taken from the top, rear, and right side of a broom block showing our new design;

FIG. 2 is a top plan view of the broom block shown in FIG. 1;

FIG. 3 is a bottom view of the broom block shown in FIG. 1;

FIG. 4 is a rear elevational view of the broom block shown in FIG. 1;

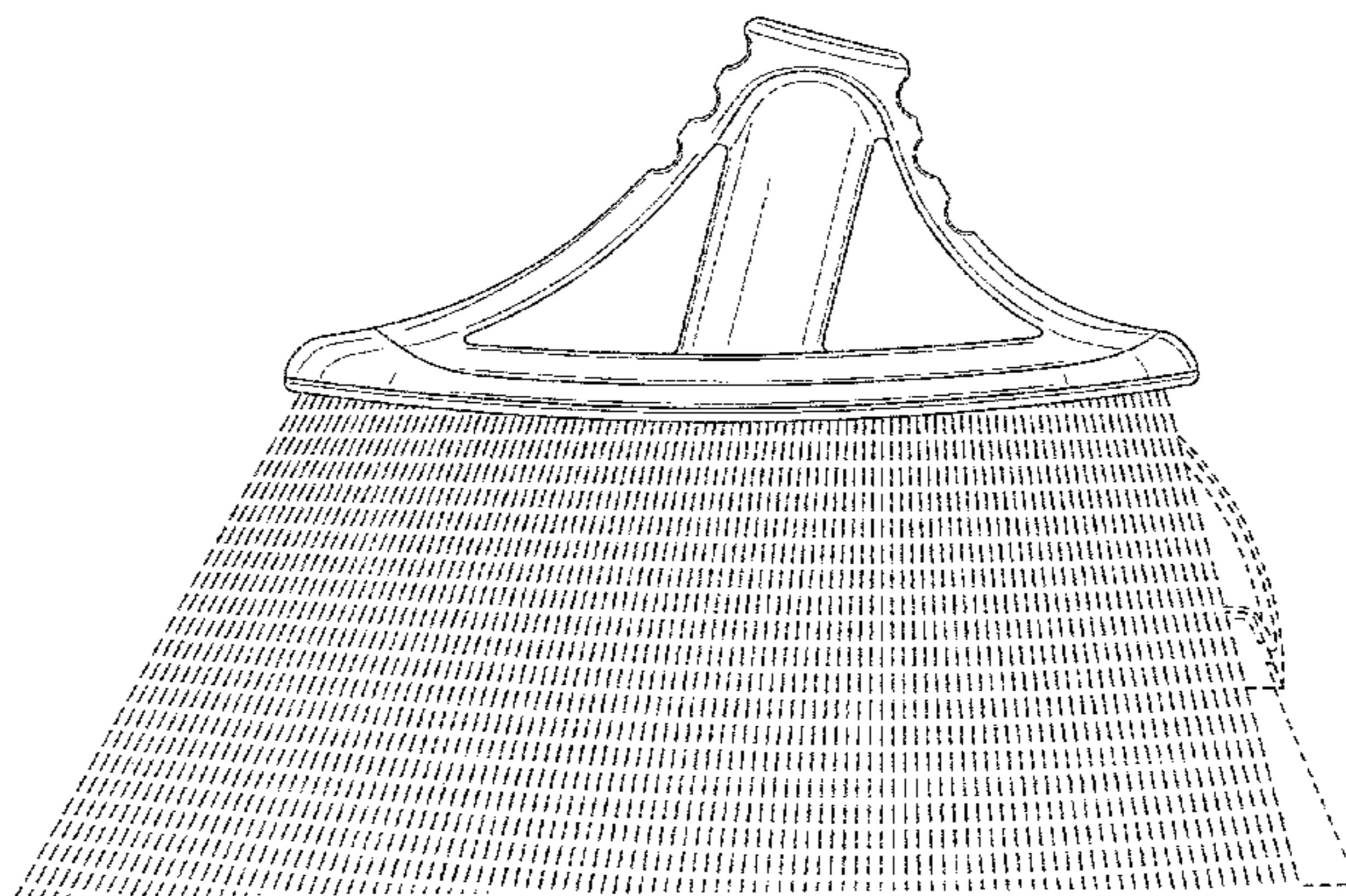
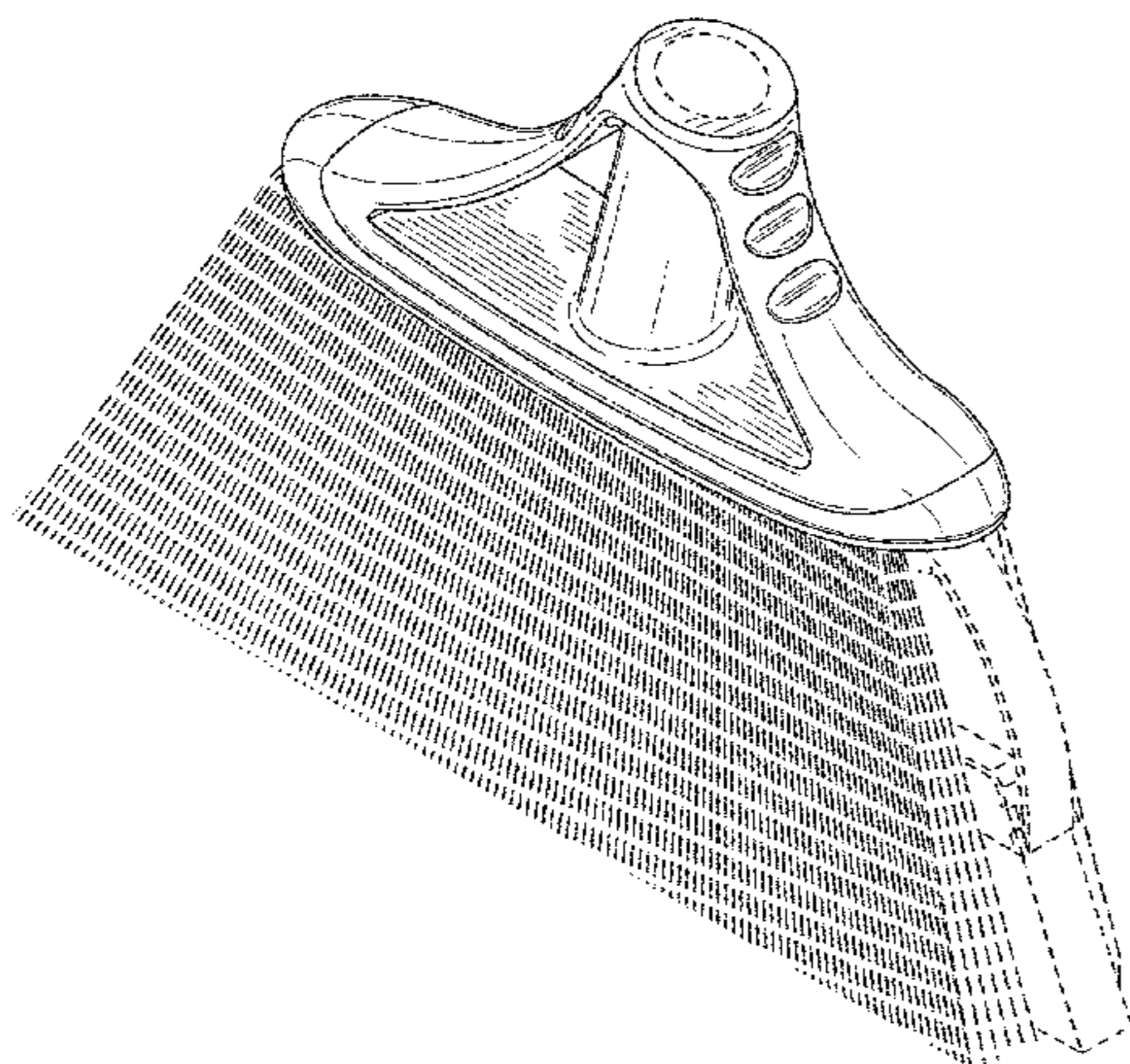
FIG. 5 is a front elevational view of the broom block shown in FIG. 1;

FIG. 6 is a left elevational side view of the broom block shown in FIG. 1; and,

FIG. 7 is a right elevational side view of the broom block shown in FIG. 1.

The broken lines represent broom bristles and other parts of a broom that form no part of the claimed design.

1 Claim, 6 Drawing Sheets



(56)

References Cited

U.S. PATENT DOCUMENTS

D472,716 S * 4/2003 Hay D32/50
 D473,057 S * 4/2003 Chan D32/50
 6,598,257 B2 * 7/2003 Cavalheiro A46B 5/0095
 15/143.1
 D497,723 S * 11/2004 Sickler D4/121
 D511,250 S * 11/2005 Hay D4/135
 D521,201 S * 5/2006 Iacchetti D32/51
 D527,529 S * 9/2006 Ajluni D4/129
 D537,255 S * 2/2007 Berti D32/50
 D572,013 S * 7/2008 Weis D4/199
 D572,014 S * 7/2008 Weis D4/199
 D587,417 S * 2/2009 Sartori D4/135
 D683,968 S * 6/2013 Pottes D4/199
 8,485,611 B2 * 7/2013 Weis A46B 5/0095
 264/241
 D699,412 S * 2/2014 Smith D32/50
 2004/0148720 A1 * 8/2004 Laux A46B 15/00
 15/114
 2005/0015905 A1 * 1/2005 Boyer A46B 3/06
 15/159.1
 2005/0204498 A1 * 9/2005 Saunders A46B 7/02
 15/172

FOREIGN PATENT DOCUMENTS

CN 301798268 * 1/2012
 CN 302259044 * 1/2013
 EM 000299193-0002 * 6/2005
 WO D061157-001 * 10/2002

OTHER PUBLICATIONS

O-Cedar broom, online, review dated 2015, <http://www.ocedar.com/p/dual-action-angler>, [site visited Mar. 10, 2016 6:19:46 PM].*
 Amazon.com—O-Cedar Angler Angle Broom with Dust Pan—Red Broom, online, ewview date Oct. 2, 2013, http://www.amazon.com/O-Cedar-Angler-Angle-Broom-Dust/dp/B001229JC0/ref=cm_cr_arp_d_product_top?ie=UTF8, [site visited Mar. 8, 2016 8:23:54 PM].*

* cited by examiner

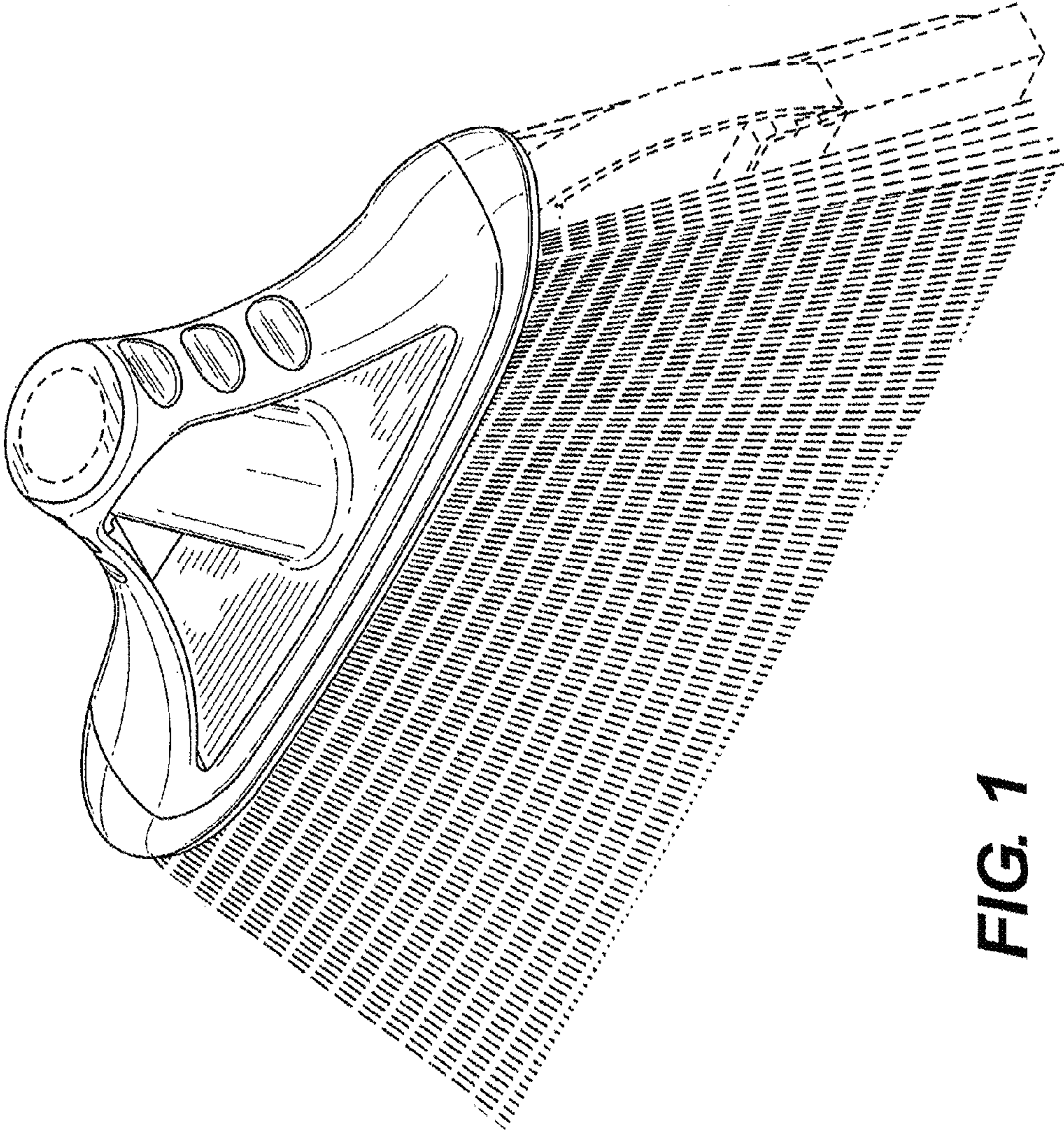


FIG. 1

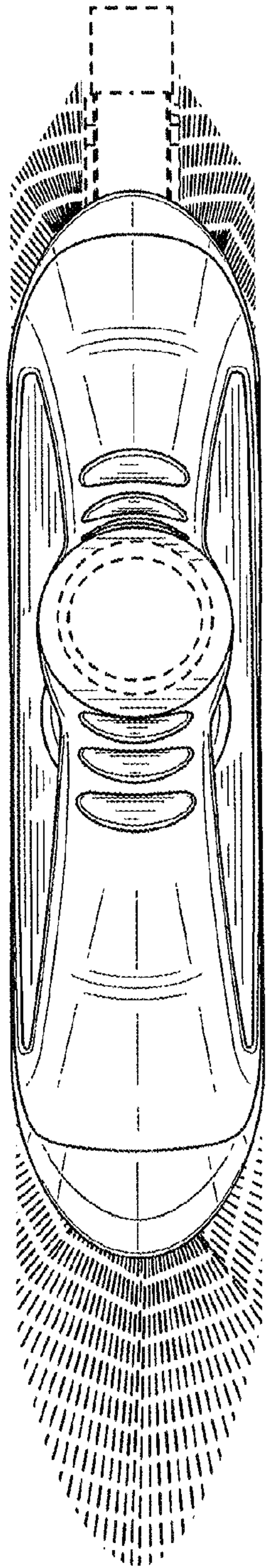


FIG. 2

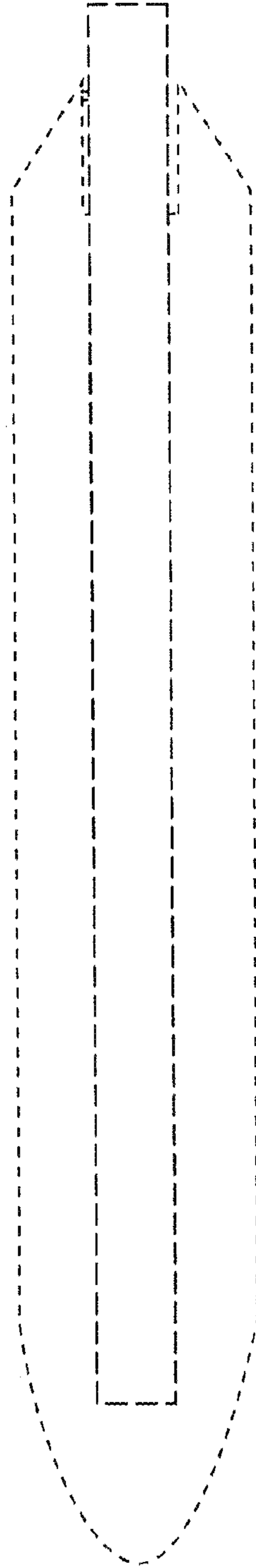


FIG. 3

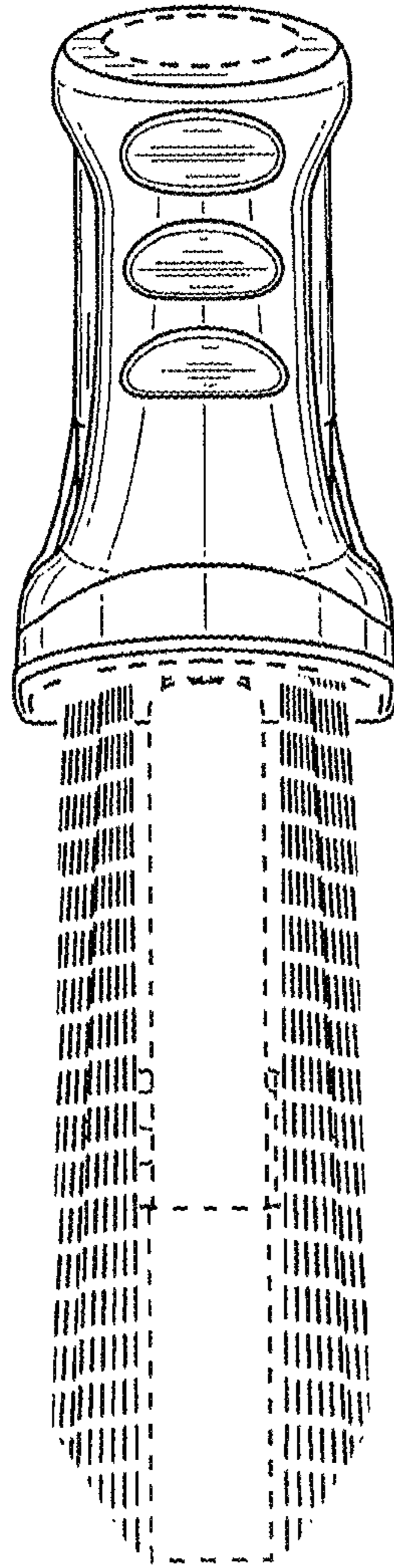


FIG. 4

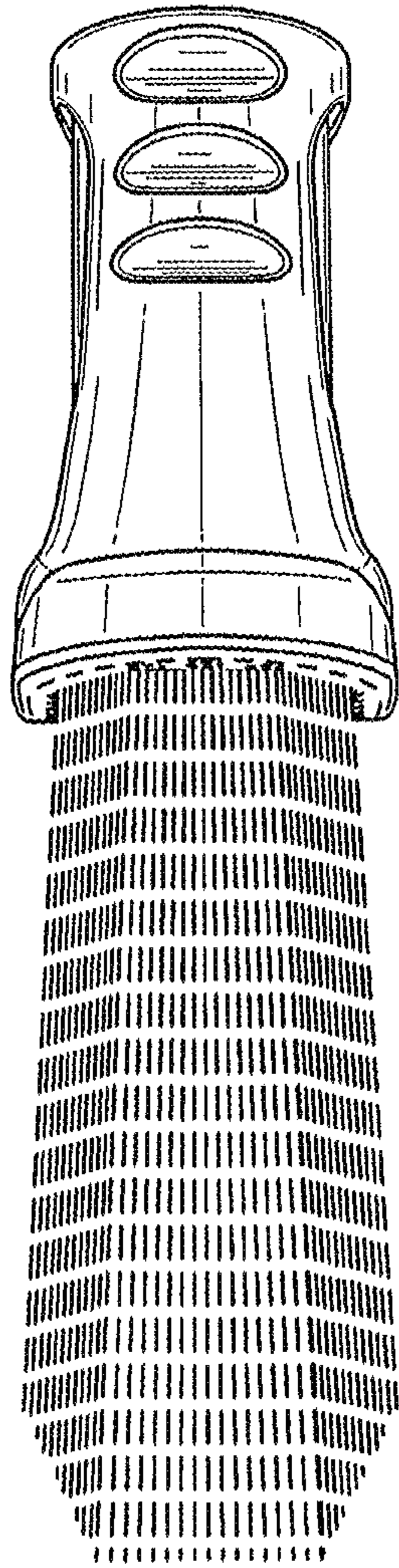


FIG. 5

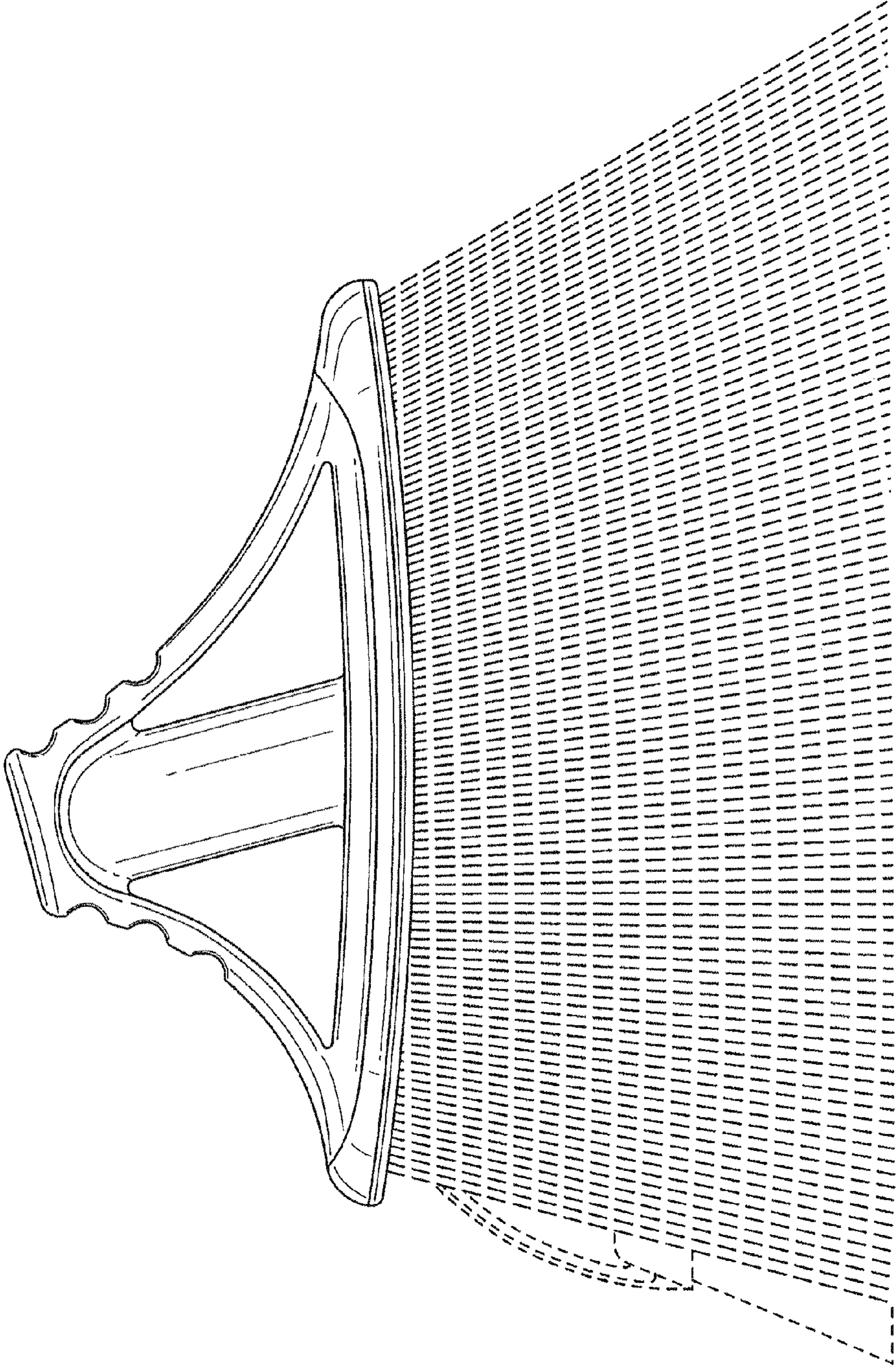


FIG. 6

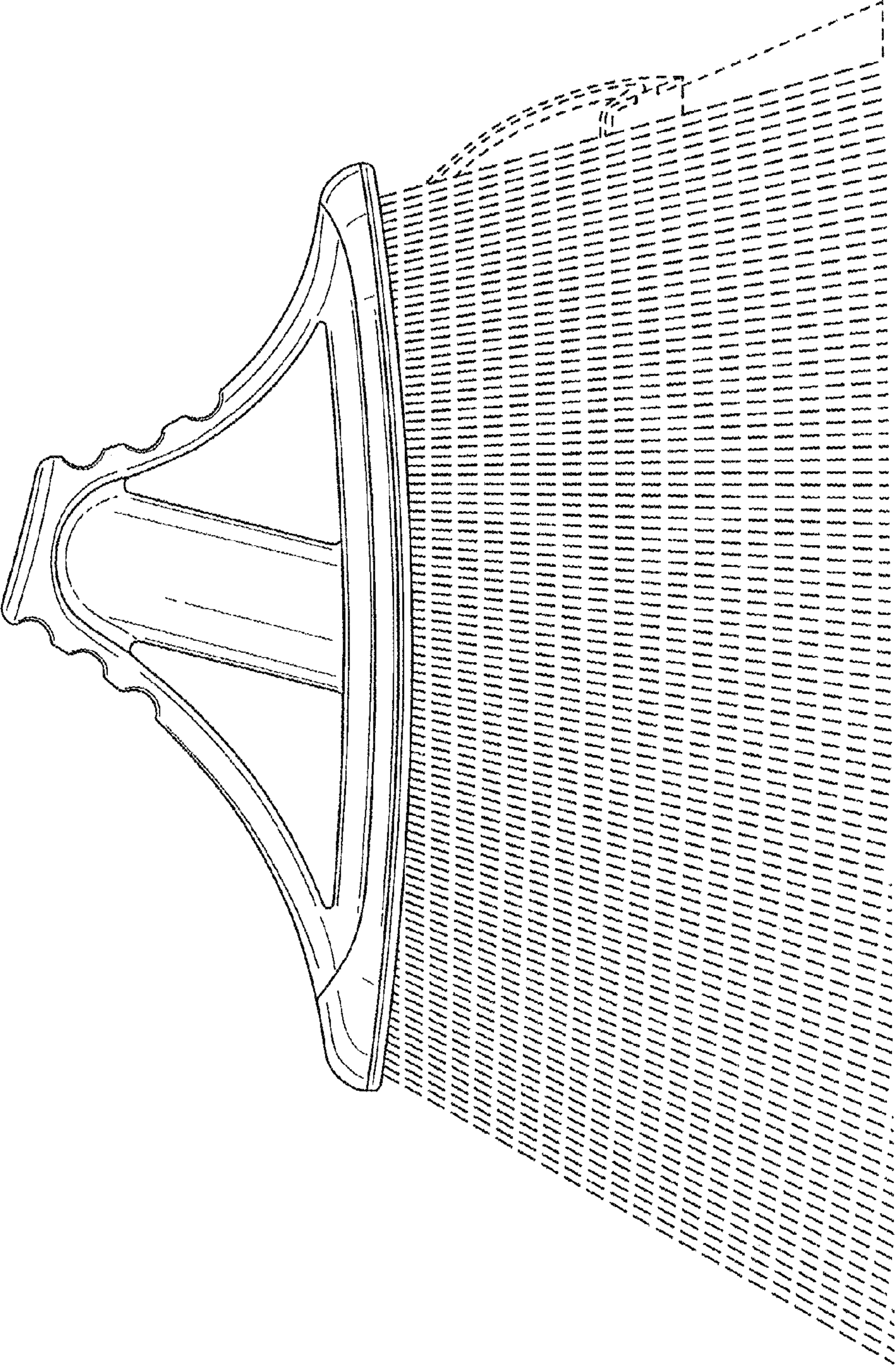


FIG. 7