



US00D764732S

(12) **United States Design Patent**
Chei et al.

(10) **Patent No.:** **US D764,732 S**

(45) **Date of Patent:** **** Aug. 23, 2016**

(54) **FLOOR CLEANING DEVICE**

D707,002 S * 6/2014 Hughes D32/45
D711,058 S * 8/2014 Crawley D32/45
D747,054 S * 1/2016 Seifts D32/45

(71) Applicant: **Euro-Pro Operating LLC**, Newton,
MA (US)

(Continued)

(72) Inventors: **Junghwan Chei**, Chestnut Hill, MA
(US); **Scott B Niedzwecki**, Walpole, MA
(US)

FOREIGN PATENT DOCUMENTS

CN 301826896 * 2/2012
CN 302387310 * 4/2013
CN 302738945 * 2/2014

(73) Assignee: **SharkNinja Operating LLC**, Newton,
MA (US)

OTHER PUBLICATIONS

(**) Term: **14 Years**

Amazon.com—Bissell Steam Mop Hard-Floor Cleaner, online,
review date Nov. 2, 2009, http://www.amazon.com/Bissell-Steam-Hard-Floor-Cleaner-1867-7/dp/B000RPVHZU/ref=sr_1_57?s=vacuums&ie=UTF8&qid=1459206024&sr=1-57&keywords=shark+steam+mop, [site visited Mar. 28, 2016 7:02:03 PM].*

(21) Appl. No.: **29/525,439**

(22) Filed: **Apr. 29, 2015**

(51) **LOC (10) Cl.** **04-01**

(52) **U.S. Cl.**
USPC **D32/45**

(58) **Field of Classification Search**
USPC D32/38-40, 45, 50-52, 71-72
CPC A47L 13/22-13/26; A47L 13/254;
A47L 9/00

See application file for complete search history.

(Continued)

Primary Examiner — John Windmuller

Assistant Examiner — John R Yeh

(74) *Attorney, Agent, or Firm* — Ntellect Law, P.C.

(56) **References Cited**

(57) **CLAIM**

The ornamental design for a floor cleaning device, as shown
and described.

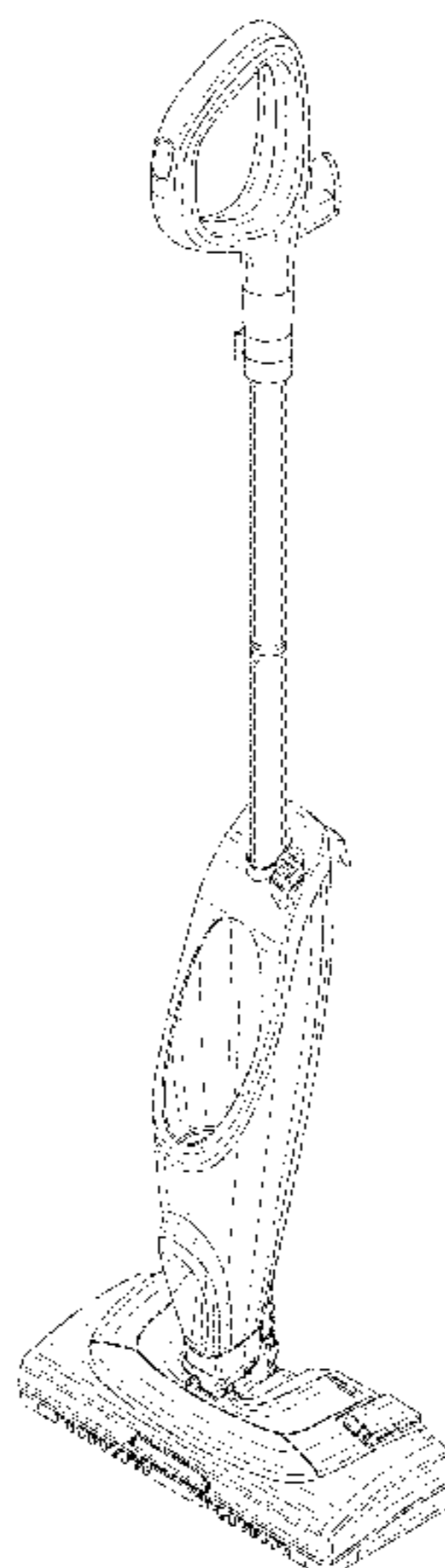
U.S. PATENT DOCUMENTS

DESCRIPTION

D548,909 S * 8/2007 Murray D32/45
D591,921 S * 5/2009 Rosenzweig D32/45
D657,516 S * 4/2012 McGee D32/45
D657,518 S * 4/2012 McGee D32/45
D658,835 S * 5/2012 Houghton D32/45
D659,924 S * 5/2012 McGee D32/45
D660,533 S * 5/2012 Hill D32/22
D661,034 S * 5/2012 Ediger D32/45
D673,337 S * 12/2012 Chow D32/45
8,425,137 B1 * 4/2013 Sampaio A47L 13/22
401/139
D685,557 S * 7/2013 Rosenzweig D32/45
D685,966 S * 7/2013 Houghton D32/45
D685,967 S * 7/2013 Houghton D32/45
D699,011 S * 2/2014 deBlois D32/45

FIG. 1 is a perspective view of a floor cleaning device in
accordance with our new design;
FIG. 2 is a front elevational view thereof;
FIG. 3 is a rear elevational view thereof;
FIG. 4 is a left side elevational view thereof;
FIG. 5 is a right side elevational view thereof;
FIG. 6 is a top plan view thereof; and,
FIG. 7 is a bottom plan view thereof.
The broken lines in the drawings represent portions of the
floor cleaning device that form no part of the claimed design.

1 Claim, 4 Drawing Sheets



(56)

References Cited

U.S. PATENT DOCUMENTS

2004/0071490 A1* 4/2004 Vosbikian A47L 13/12
401/49
2007/0136984 A1* 6/2007 Hsu A47L 5/225
15/339
2009/0320231 A1* 12/2009 Rosenzweig A47L 13/22
15/339
2010/0050367 A1* 3/2010 Tsai A47L 13/225
15/320
2012/0195674 A1* 8/2012 Mandle A47L 13/12
401/138
2013/0167319 A1* 7/2013 Tang A47L 13/225
15/320
2013/0232719 A1* 9/2013 Luedke A47L 13/225
15/320
2015/0183108 A1* 7/2015 Thorne B25G 1/06
15/144.1
2016/0058262 A1* 3/2016 Charlton B05B 9/01
401/138

OTHER PUBLICATIONS

Amazon.com—Shark Professional Steam and Spray Mop System, online, review date Apr. 6, 2014, http://www.amazon.com/Shark-Professional-Steam-Spray-System/dp/B00GXFU952/ref=sr_1_44?s=vacuums&ie=UTF8&qid=1459205332&sr=1-44&keywords=shark+steam+mop, [site visited Mar. 28, 2016 6:53:38 PM].*

Amazon.com—Shark Steam and Spray Pro Mop, online, website copyright 2016, http://www.amazon.com/Shark-Steam-Spray-PRO-SS460WM/dp/B018MPM9H6/ref=sr_1_96?s=vacuums&ie=UTF8&qid=1459215568&sr=1-96&keywords=steam+mop, [site visited Mar. 28, 2016 9:45:31 PM].*

* cited by examiner

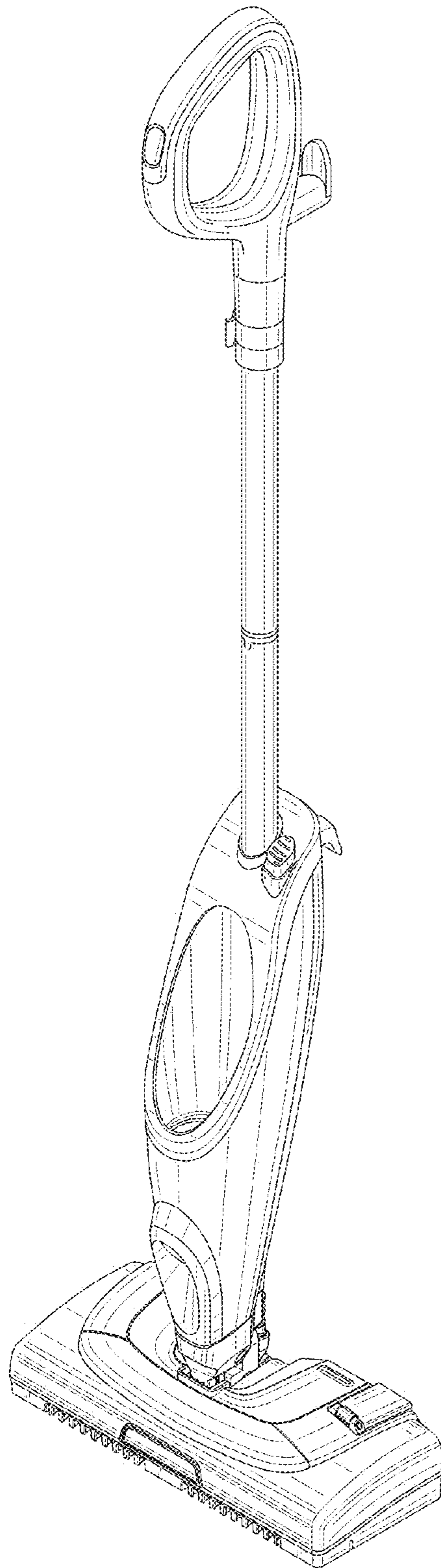


FIG. 1

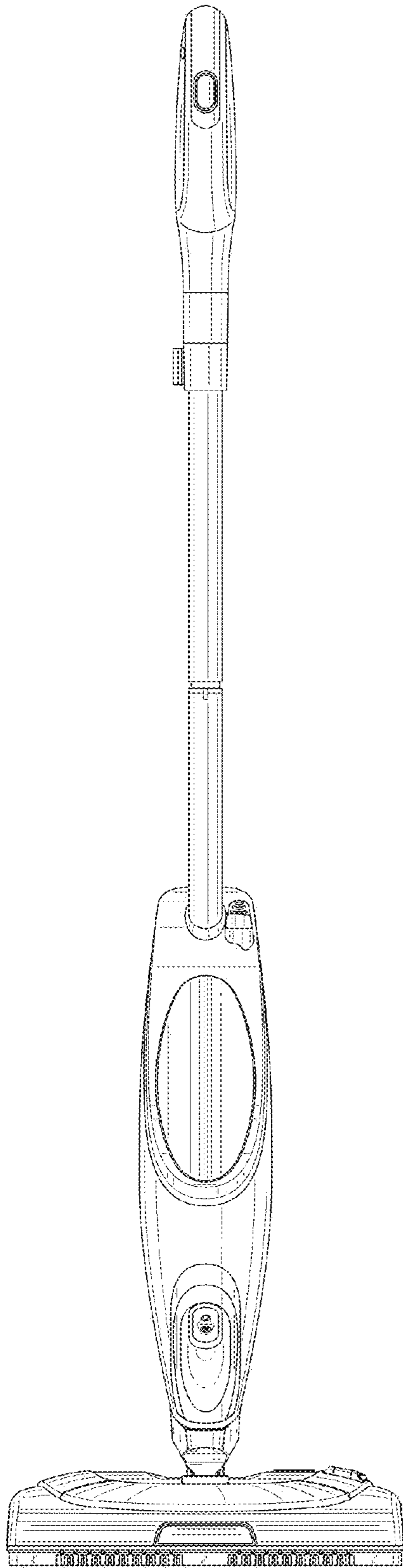


FIG. 2

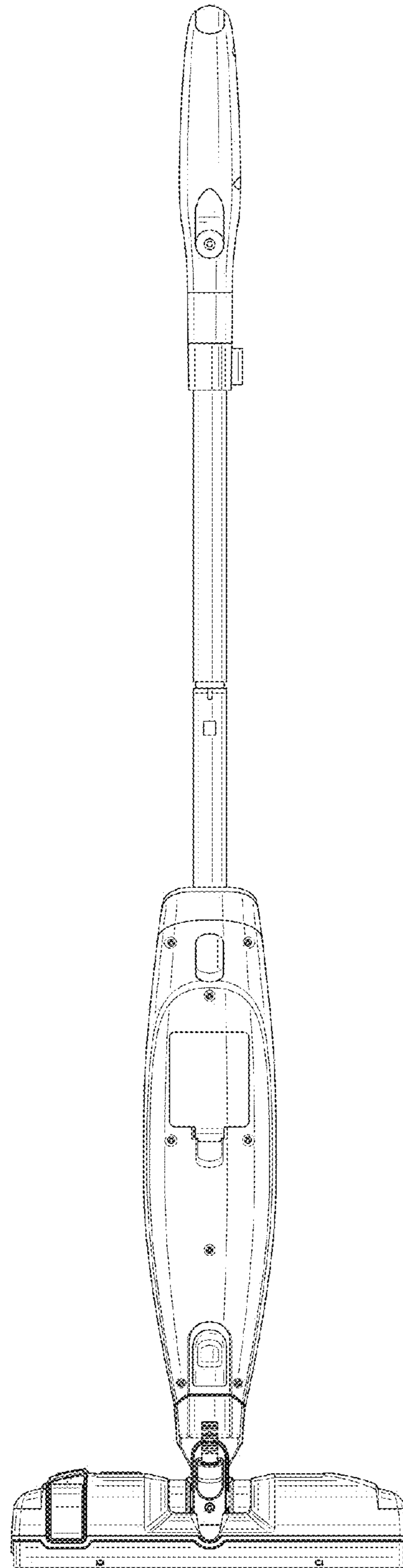


FIG. 3

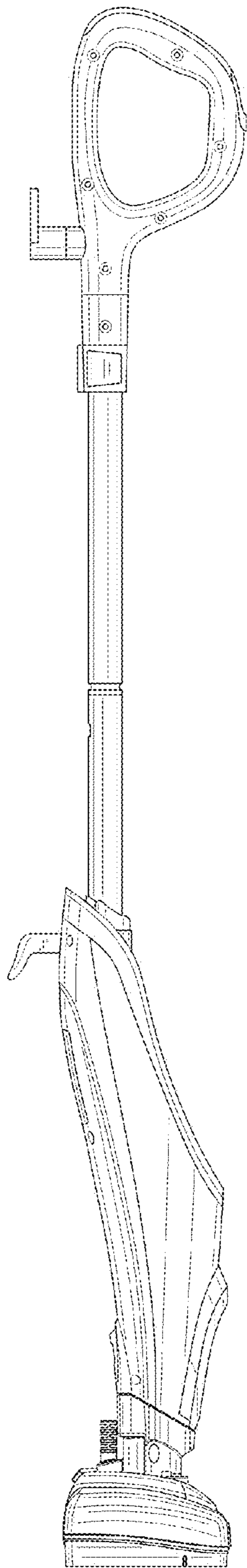


FIG. 4

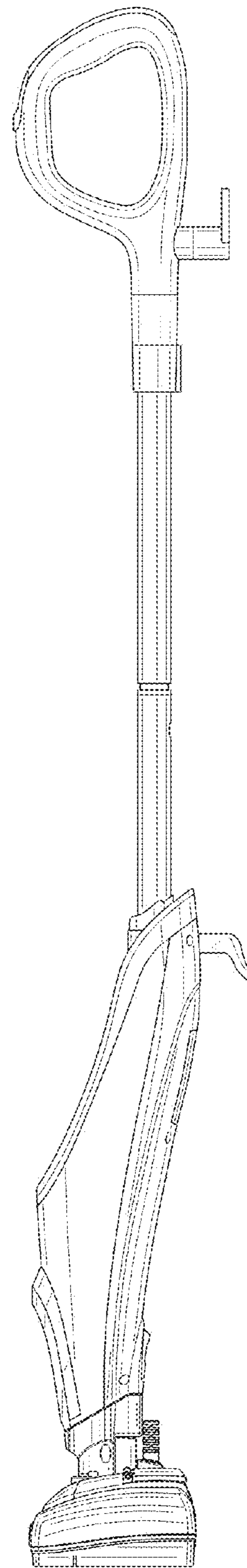


FIG. 5

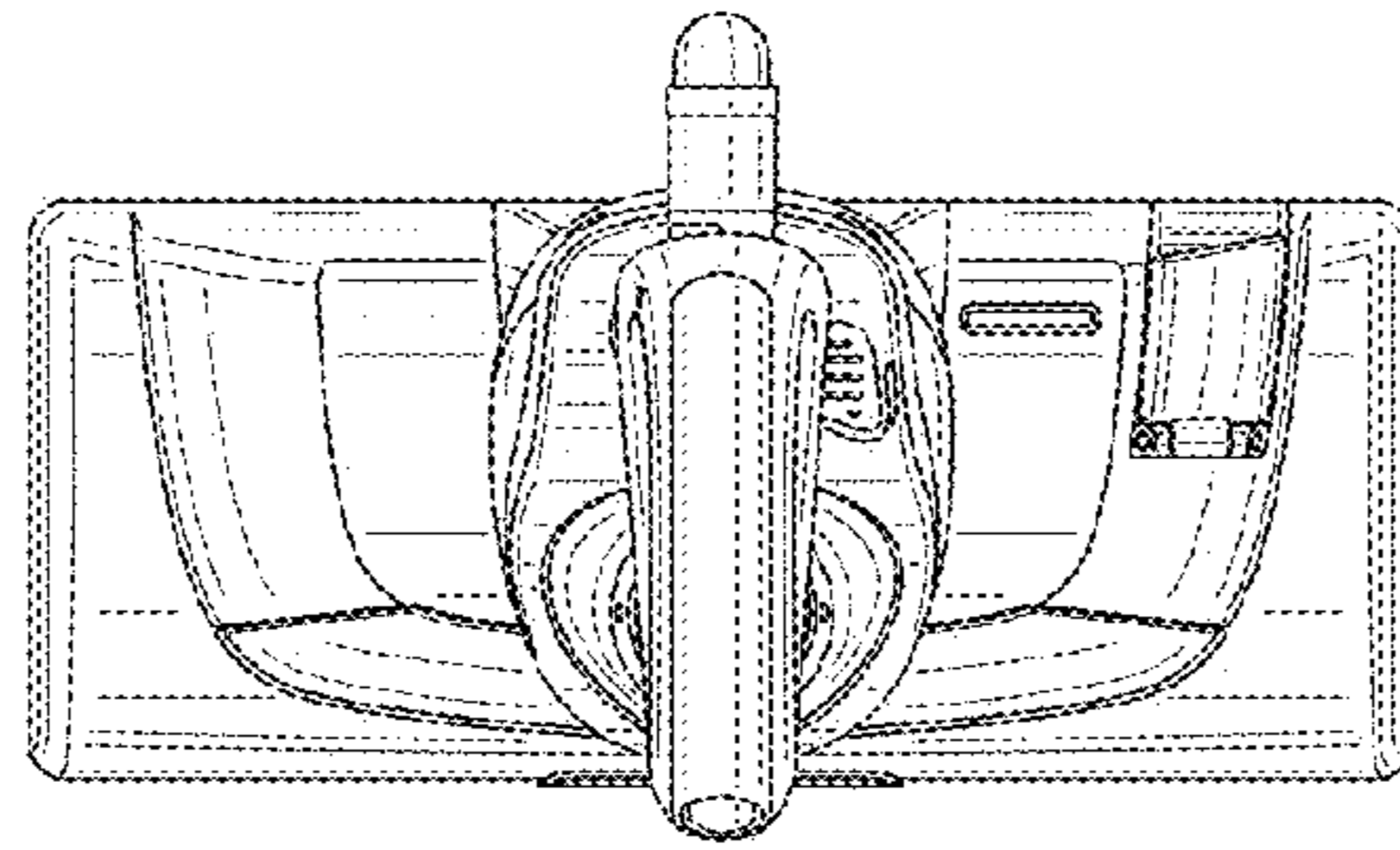


FIG. 6

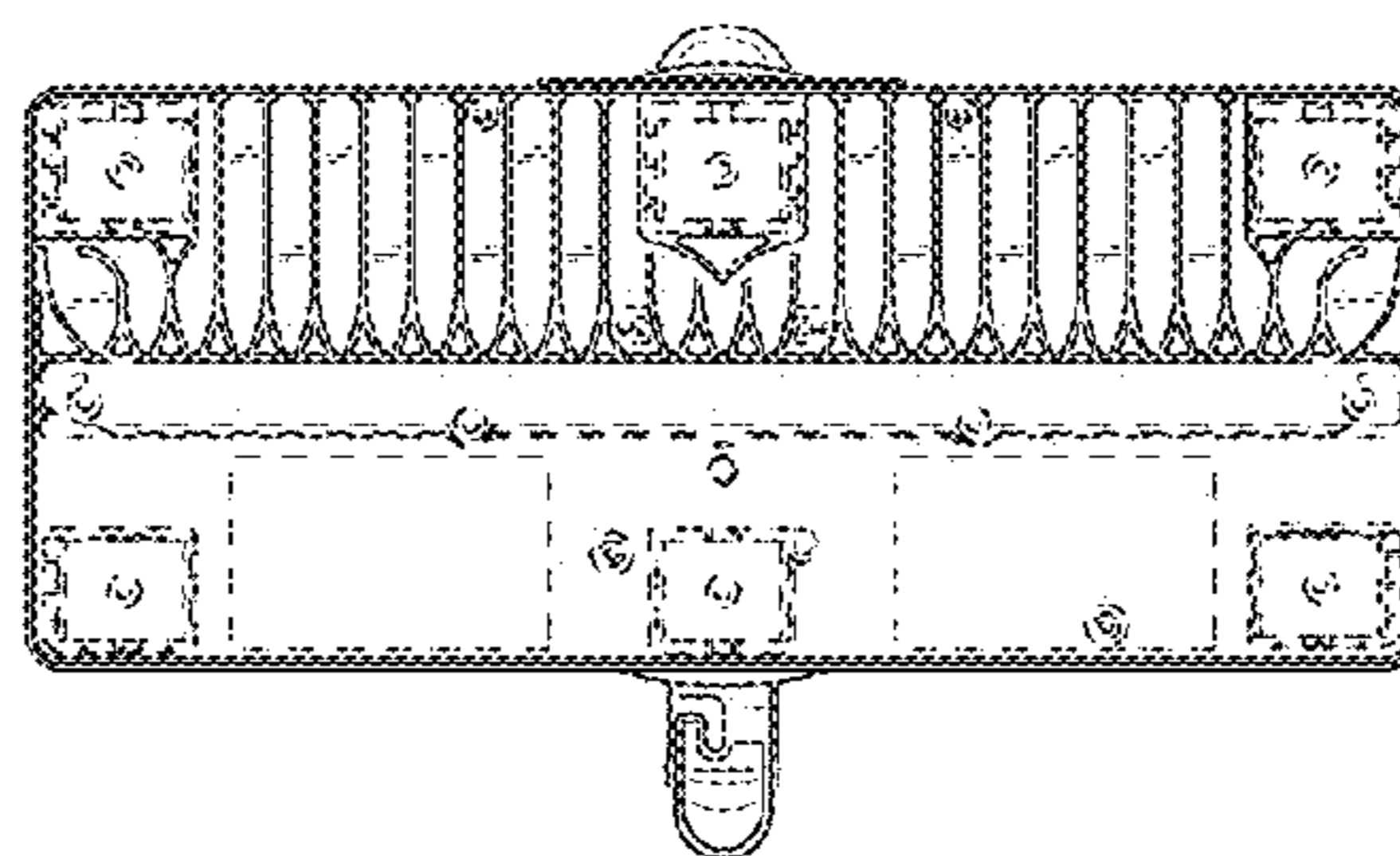


FIG. 7