



US00D764731S

(12) **United States Design Patent**  
**Tunze et al.**

(10) **Patent No.:** **US D764,731 S**

(45) **Date of Patent:** **\*\* Aug. 23, 2016**

- (54) **AQUARIUM WALL CLEANER**
- (71) Applicant: **TUNZE Aquarientechnik GmbH**,  
Penzberg (DE)
- (72) Inventors: **Felix Tunze**, Penzberg (DE); **Axel Tunze**, Penzberg (DE)
- (73) Assignee: **Tunze Aquarientechnik GmbH**,  
Penzberg (DE)
- (\*\*) Term: **14 Years**
- (21) Appl. No.: **29/501,521**
- (22) Filed: **Sep. 4, 2014**
- (30) **Foreign Application Priority Data**

Mar. 4, 2014 (DE) ..... 40 2014 000 566

- (51) **LOC (10) Cl.** ..... **08-99**
- (52) **U.S. Cl.**  
USPC ..... **D32/35**
- (58) **Field of Classification Search**  
USPC ..... D32/35, 40, 41, 52; 15/220.1, 220.2,  
15/232, 236.01, 1.7, 236.05; 119/264, 245  
CPC ..... A47L 1/12; A47L 1/06; A47L 1/00  
See application file for complete search history.

(56) **References Cited**

**U.S. PATENT DOCUMENTS**

- 3,208,090 A \* 9/1965 Roesel, Jr. .... A01K 61/003  
119/264
- 3,759,621 A \* 9/1973 De Carlo ..... A47L 1/13  
15/220.2
- 5,515,570 A \* 5/1996 Muscroft ..... A47L 1/12  
15/210.1
- 6,206,978 B1 \* 3/2001 Tsui ..... A01K 61/003  
119/245
- D466,259 S \* 11/2002 Wang ..... D32/35
- 6,634,052 B2 \* 10/2003 Hanson ..... A01K 61/003  
119/264
- D547,954 S \* 8/2007 Thurin ..... D32/52
- 7,506,612 B2 \* 3/2009 Enoch, III ..... A01K 61/003  
119/264
- 7,757,336 B2 \* 7/2010 Varner ..... A47L 1/06  
15/143.1
- 7,975,339 B2 \* 7/2011 Gavney, Jr. .... A46B 9/005  
15/1.7

D681,898 S \* 5/2013 Wu ..... D32/35  
9,021,988 B2 \* 5/2015 Turover ..... A01K 63/04  
119/264

\* cited by examiner

*Primary Examiner* — Susan Bennett Hattan

*Assistant Examiner* — Rebecca Tsehaye

(74) *Attorney, Agent, or Firm* — Myers Wolin, LLC

(57) **CLAIM**

The ornamental design for an aquarium wall cleaner, as shown and described.

**DESCRIPTION**

FIG. 1 is an isometric view of an aquarium wall cleaner showing my new design comprising an assembly of a first component and a second component shown for purposes of illustration on opposite sides of a wall;

FIG. 2 is a front view thereof, the back view being identical;

FIG. 3 is a right side view thereof, the left side view being identical;

FIG. 4 is an upper isometric view of the first component thereof shown separately for purposes of illustration;

FIG. 5 is a top view thereof;

FIG. 6 is a front view thereof, the back view being identical;

FIG. 7 is a right side view thereof, the left side view being identical;

FIG. 8 is a bottom isometric view thereof;

FIG. 9 is a bottom view thereof;

FIG. 10 is an upper isometric view of the second component thereof shown separately for purposes of illustration;

FIG. 11 is a top view thereof;

FIG. 12 is a front view thereof, the back view being identical;

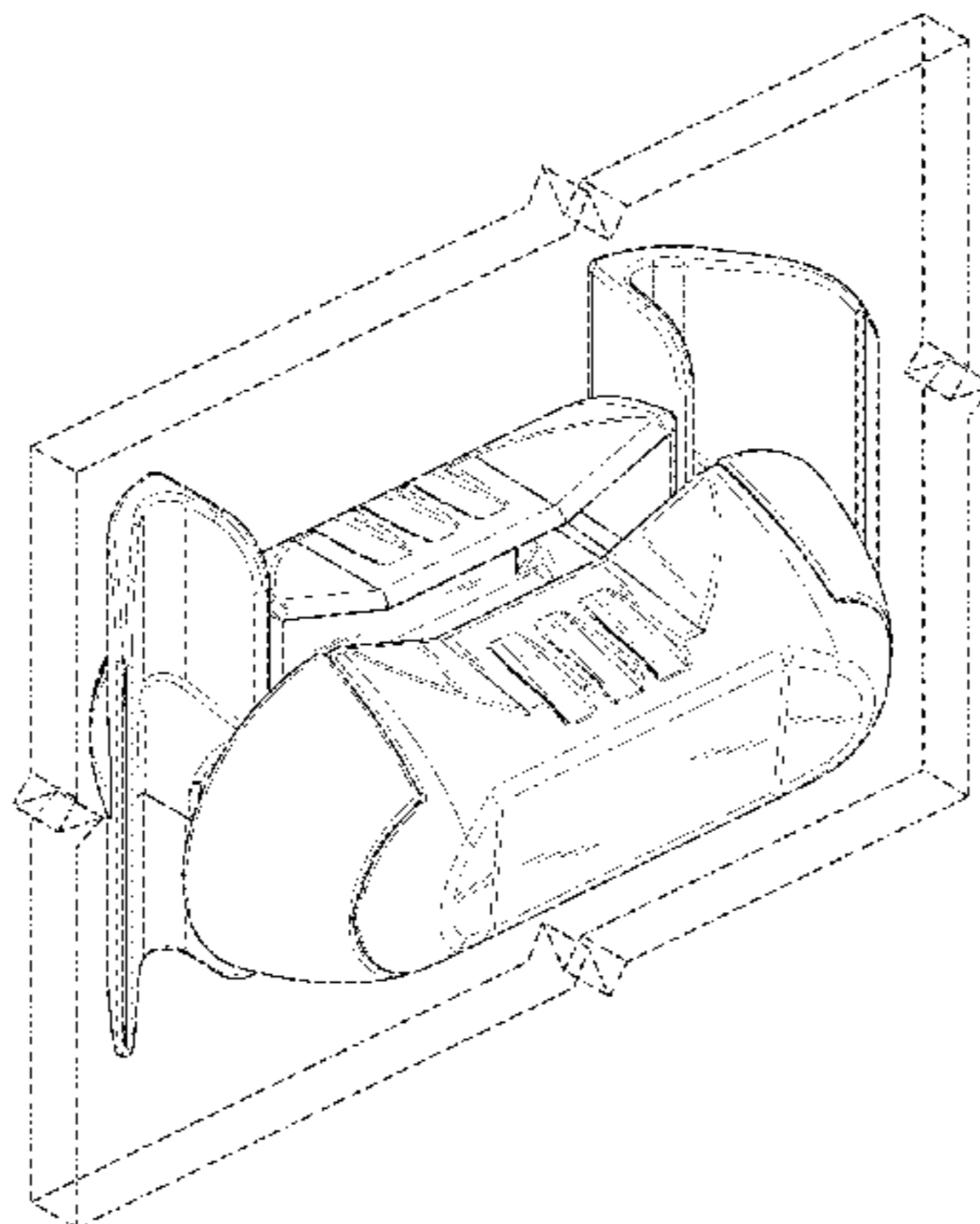
FIG. 13 is a right side view thereof, the left side view being identical;

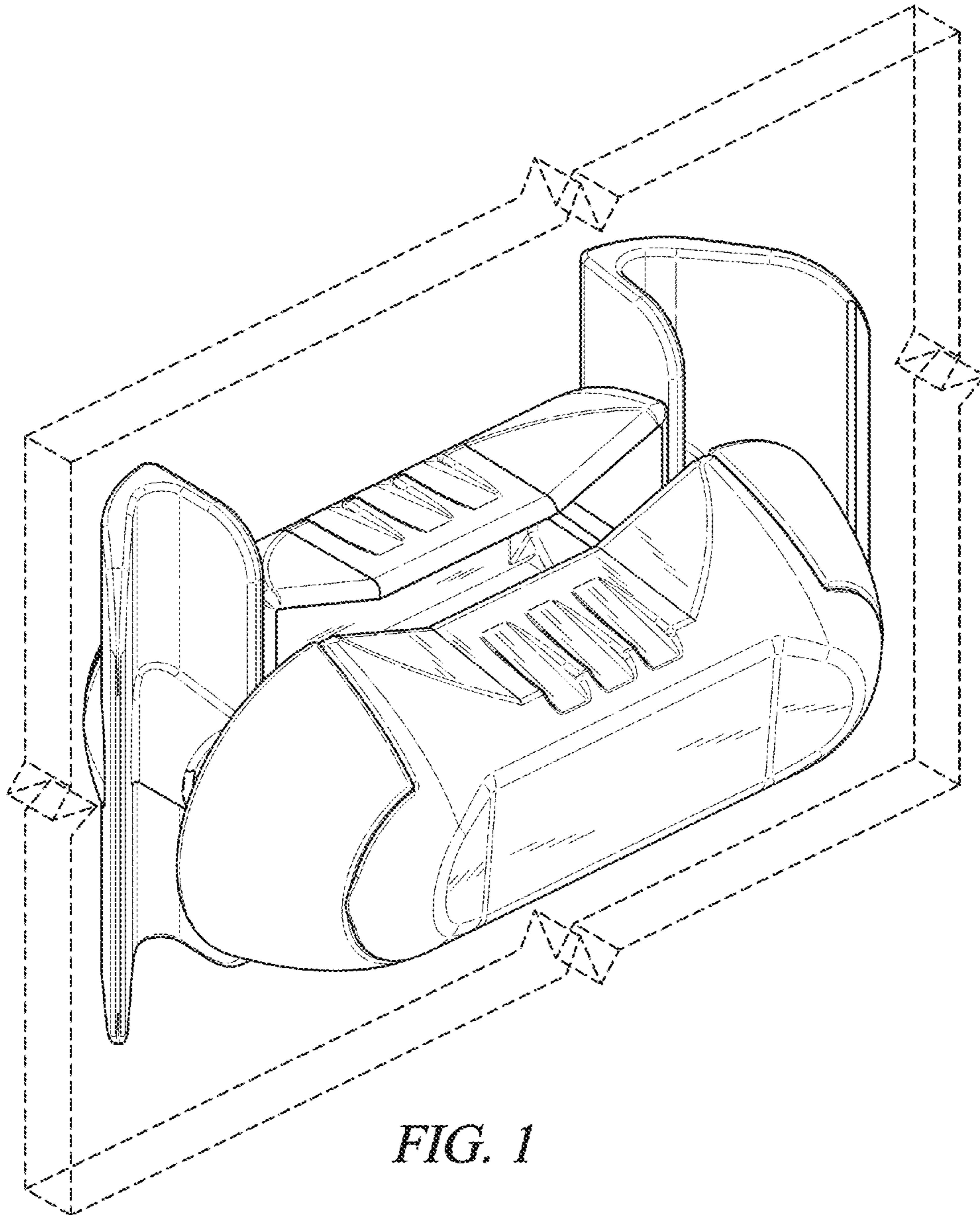
FIG. 14 is a bottom isometric view thereof; and,

FIG. 15 is a bottom view thereof.

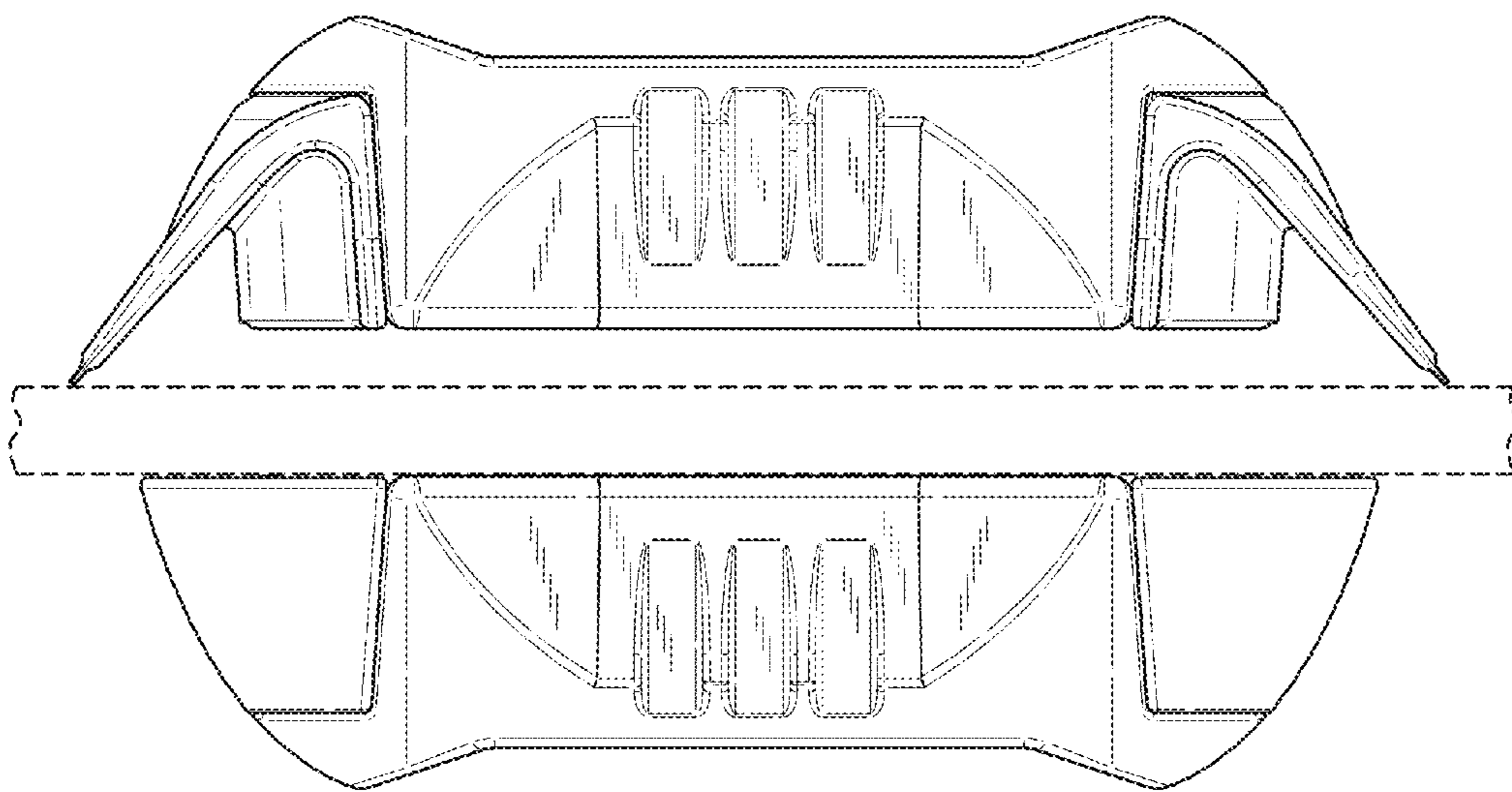
The broken lines in FIG. 1 depict unclaimed environment whereas the broken lines in the other figures depict portions of the aquarium wall cleaner that form no part of the claim.

**1 Claim, 8 Drawing Sheets**

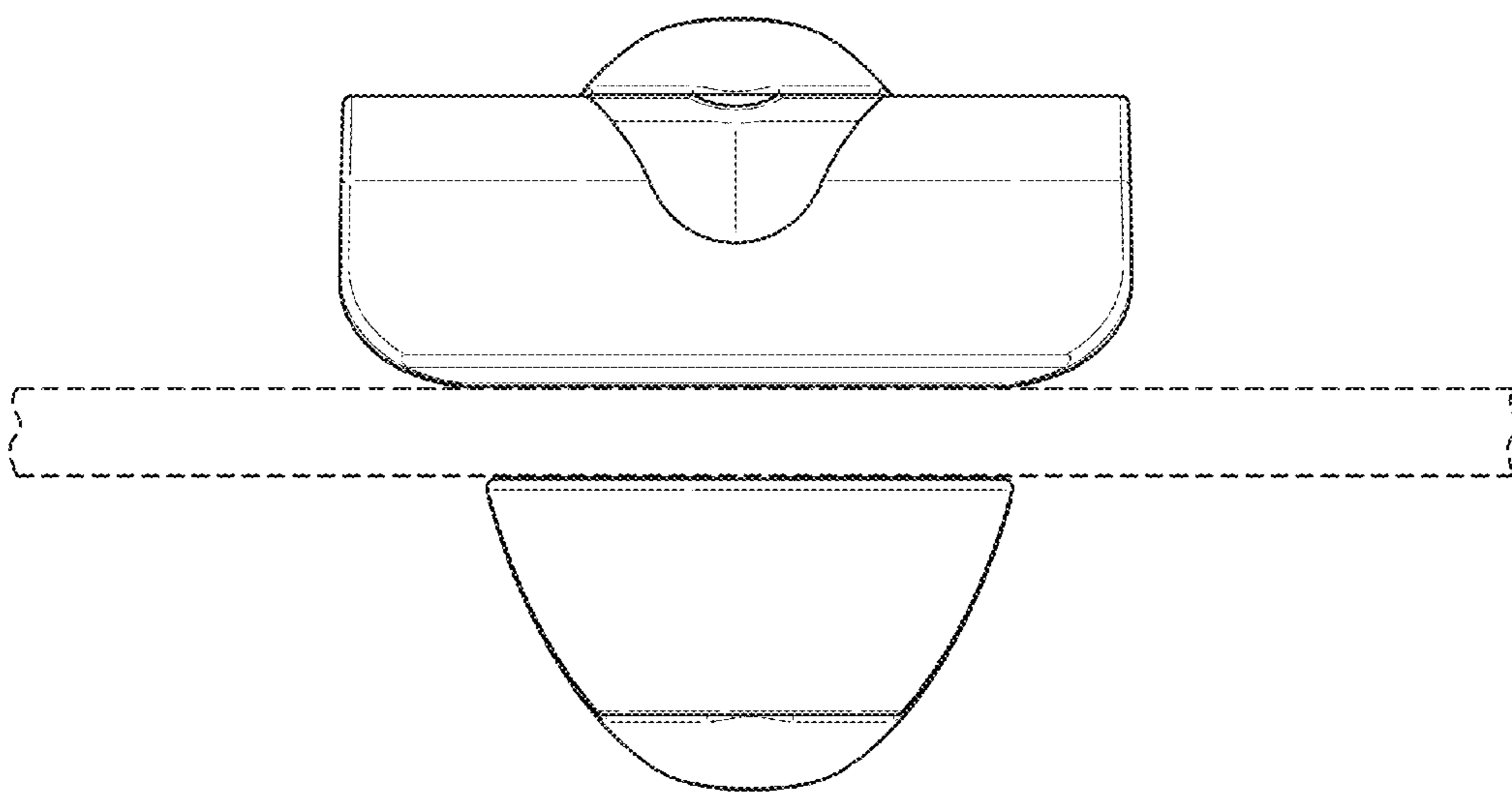




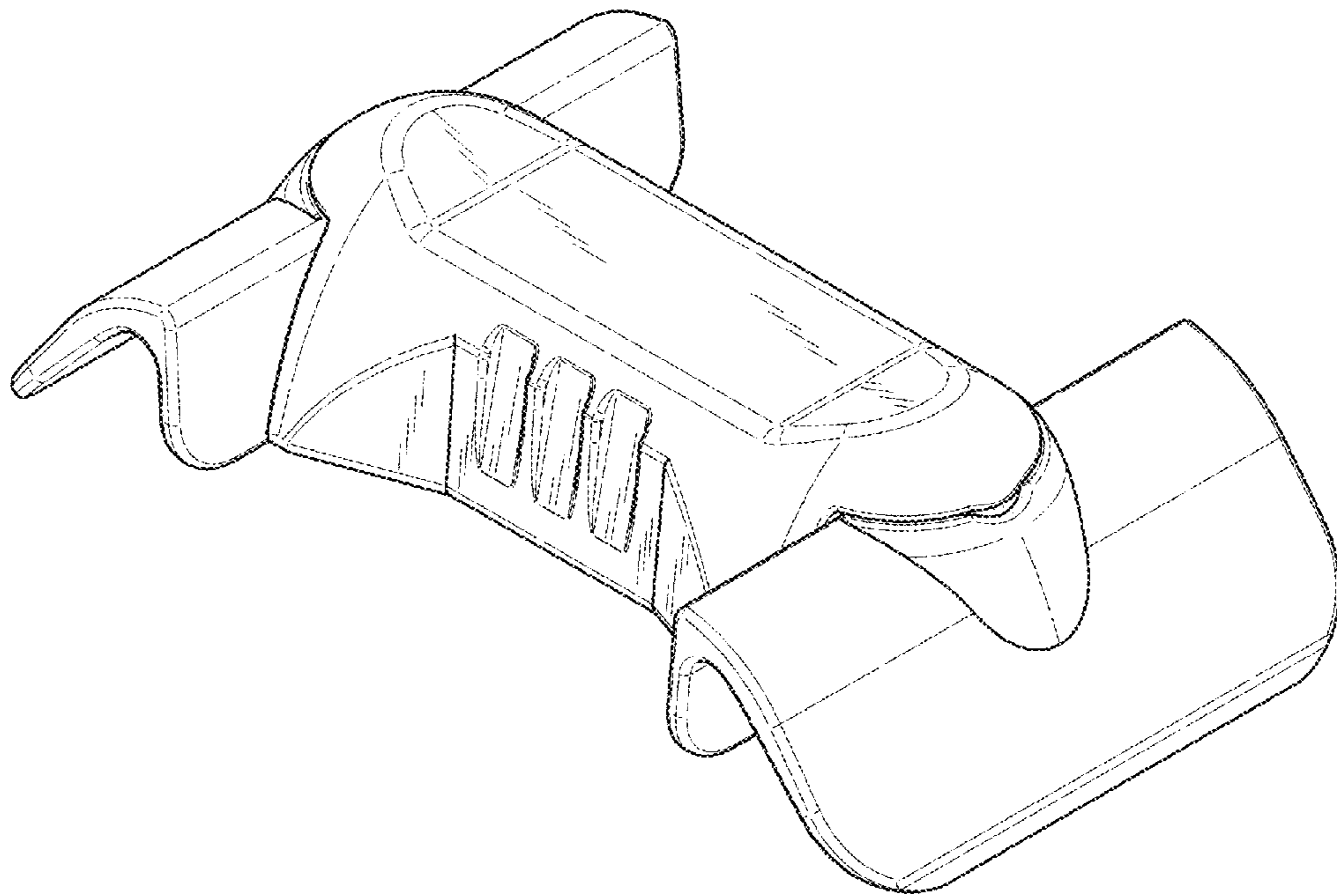
*FIG. 1*



*FIG. 2*



*FIG. 3*



*FIG. 4*

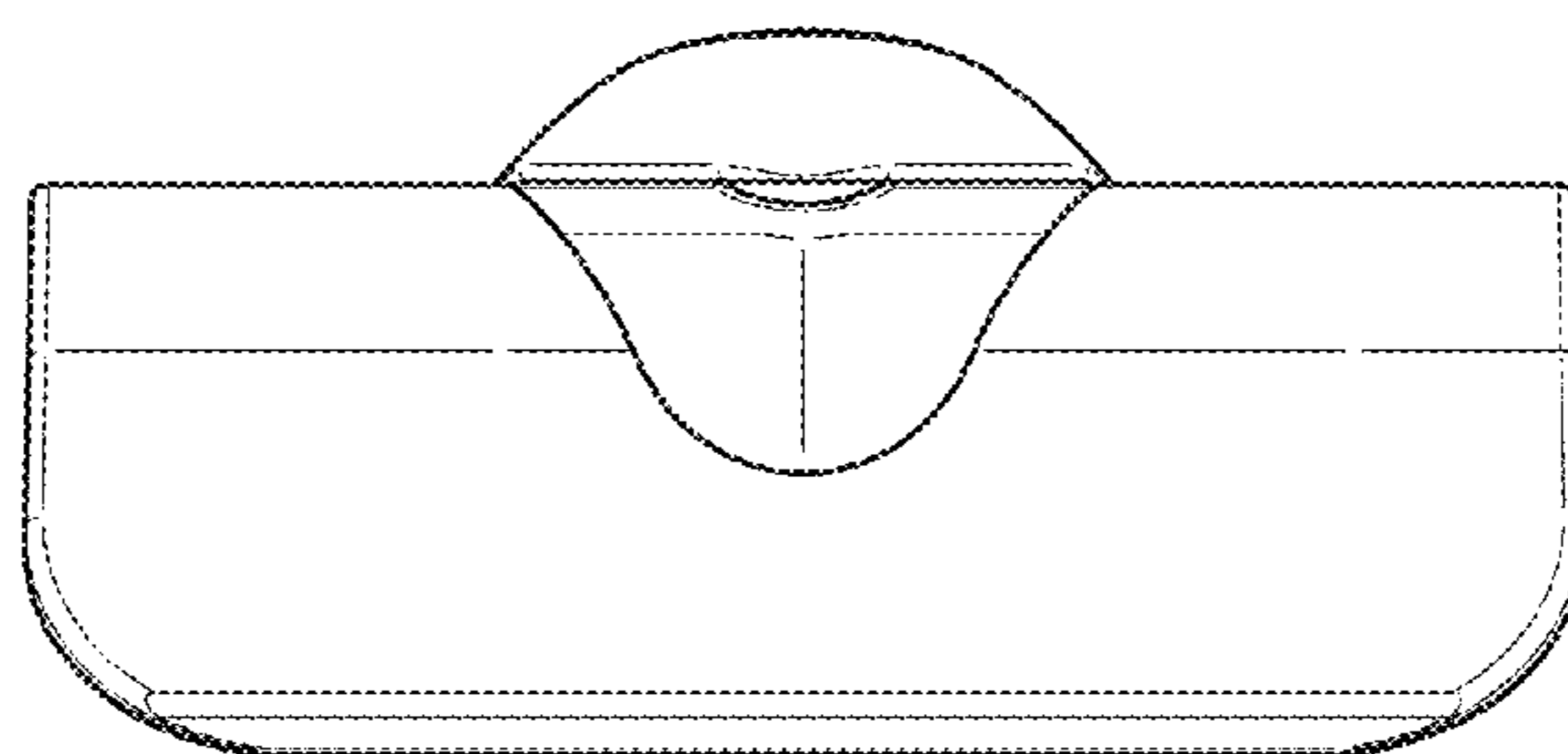
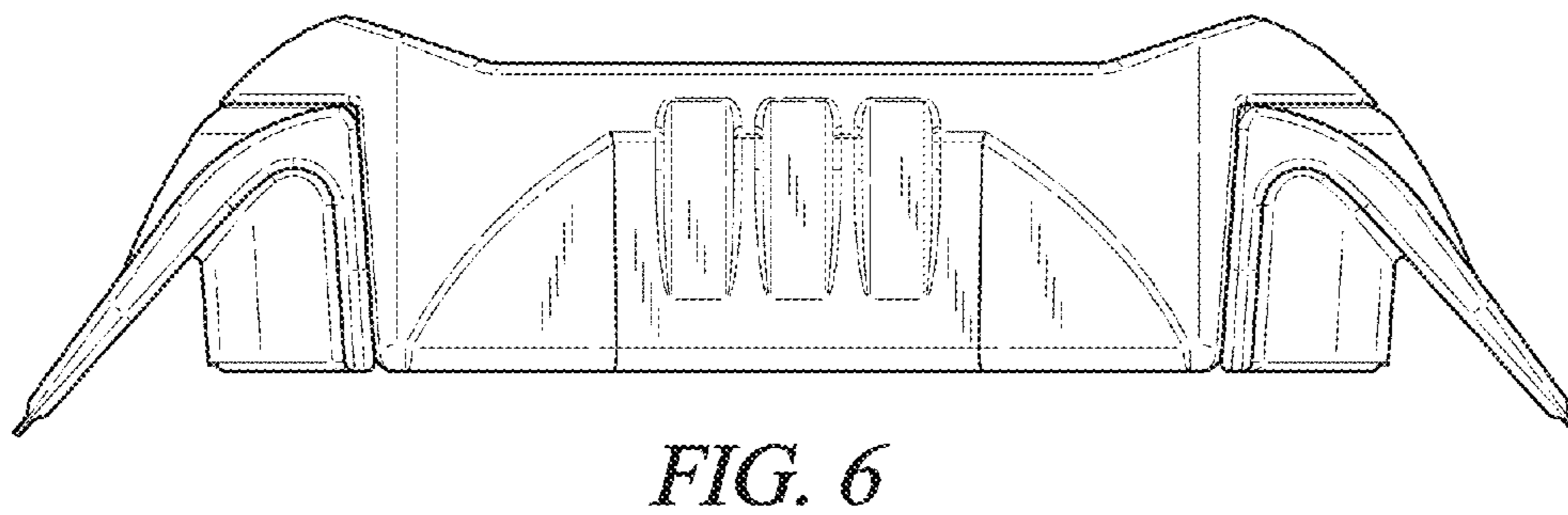
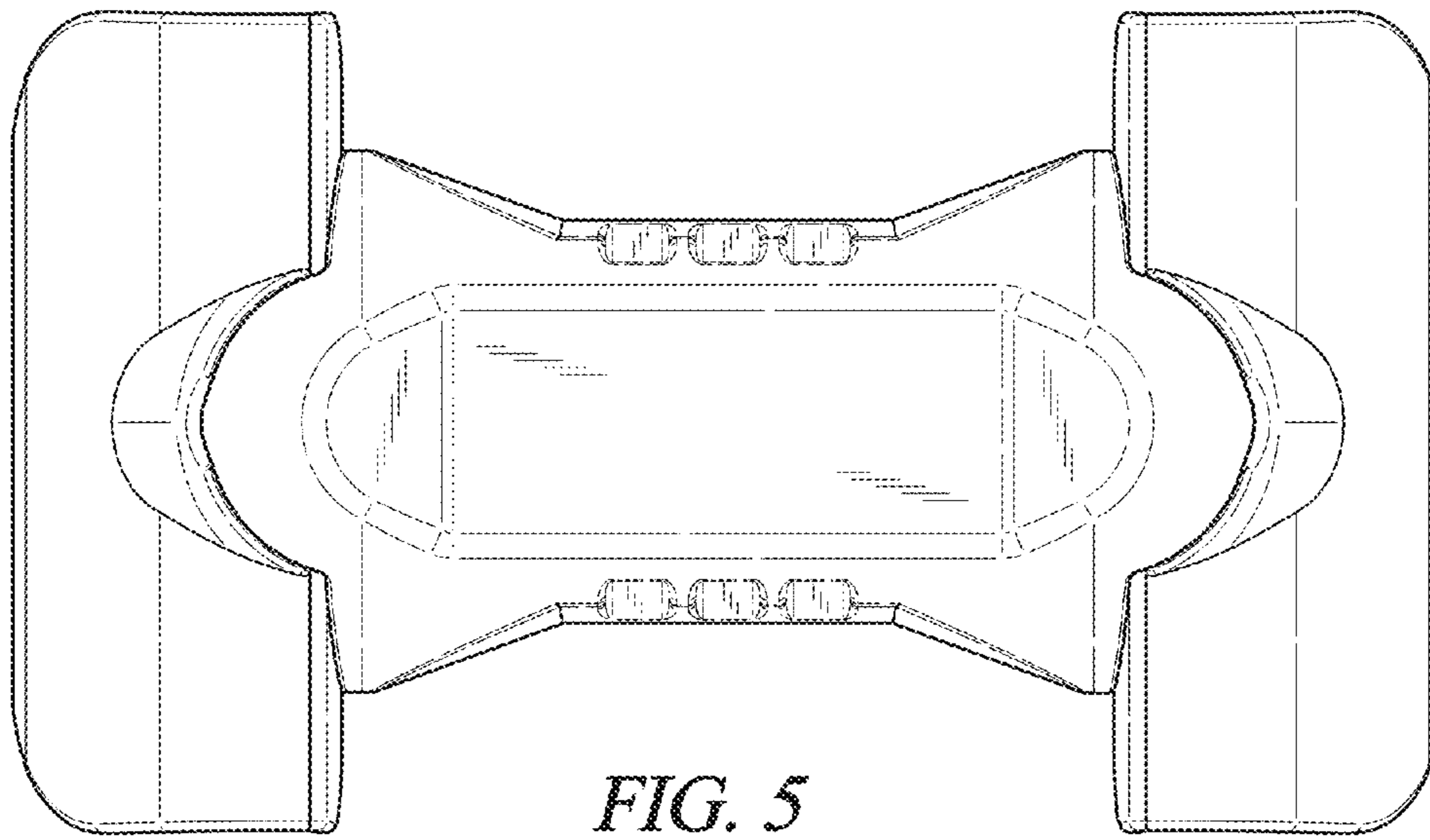


FIG. 7

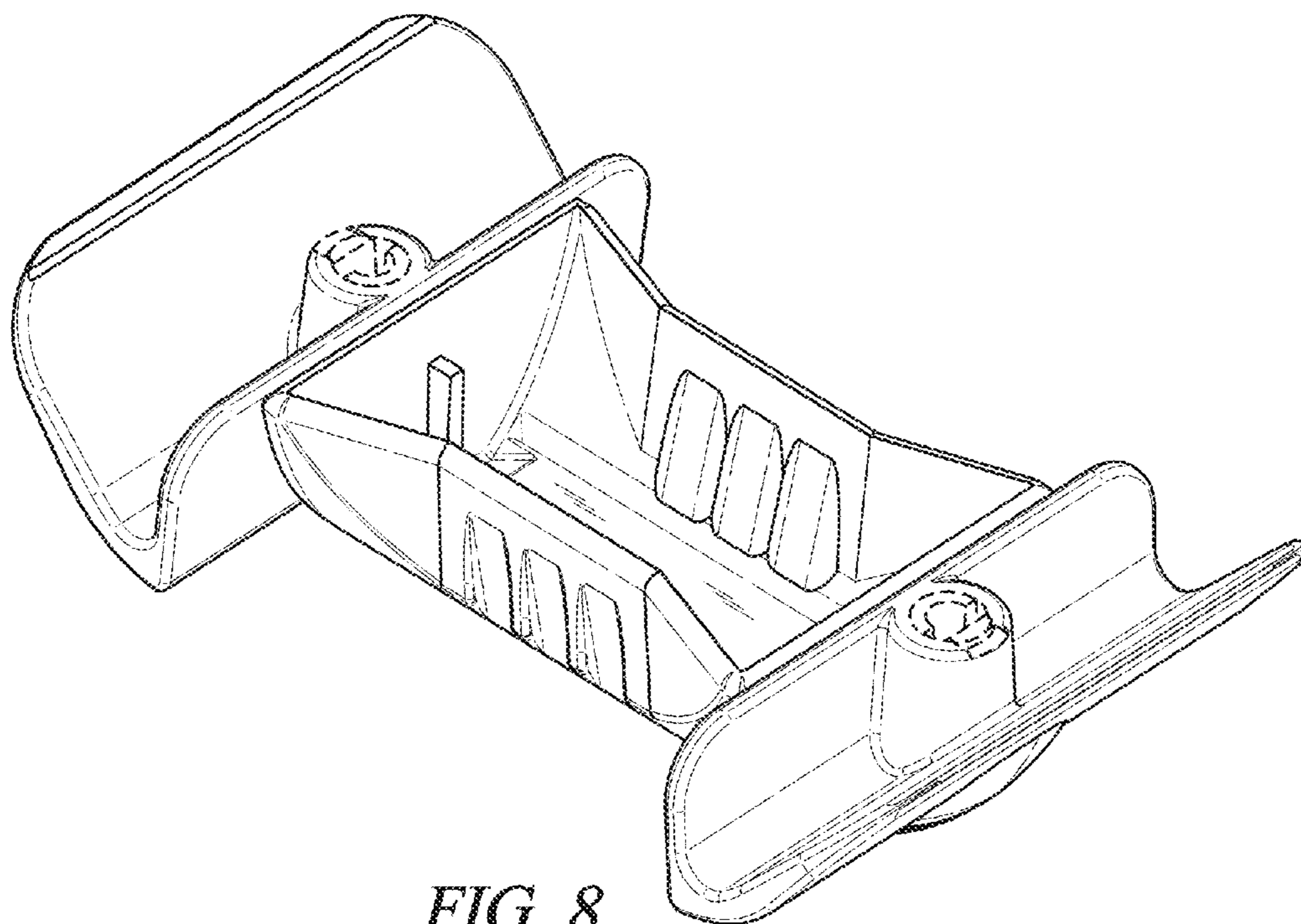


FIG. 8

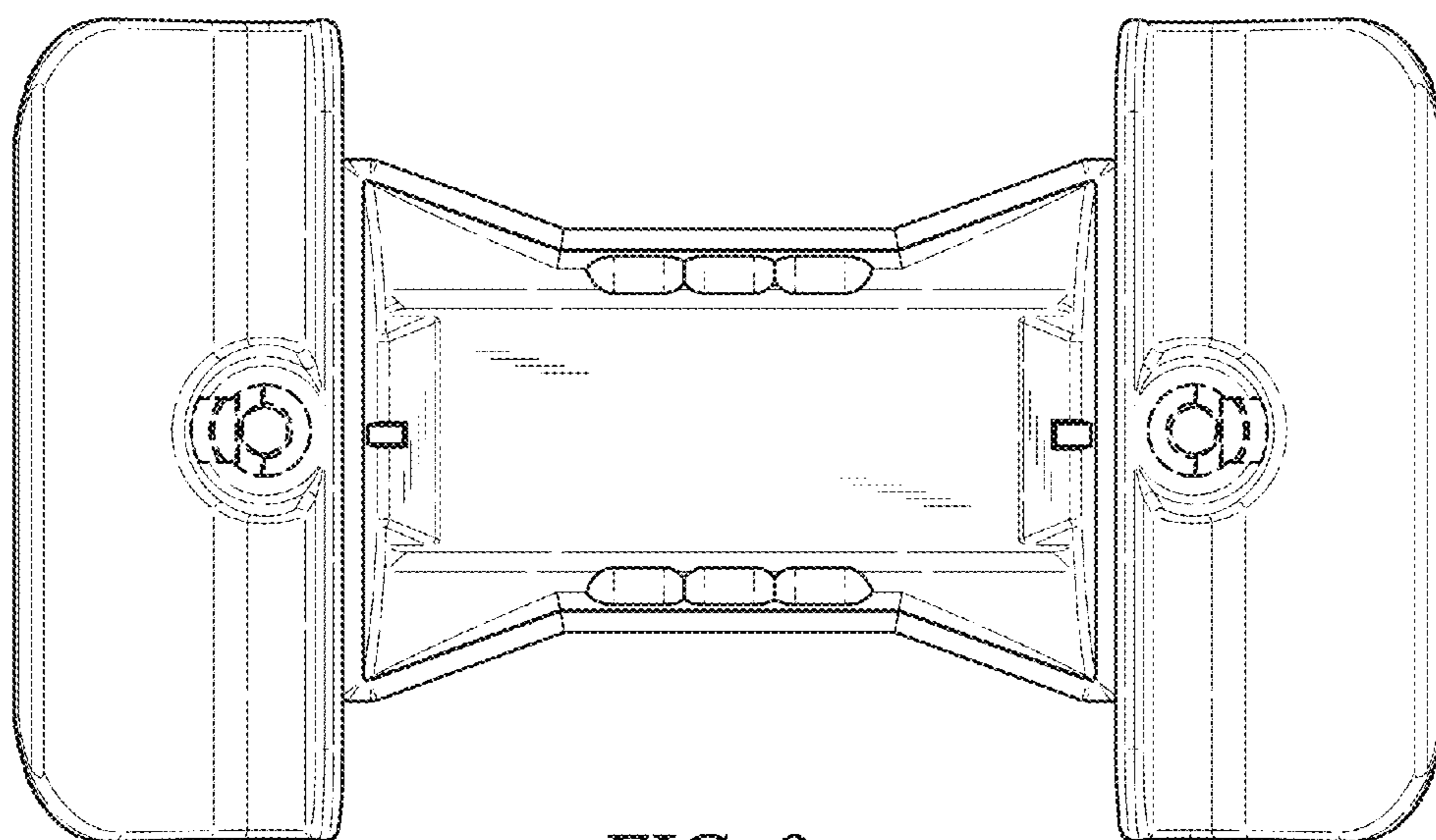
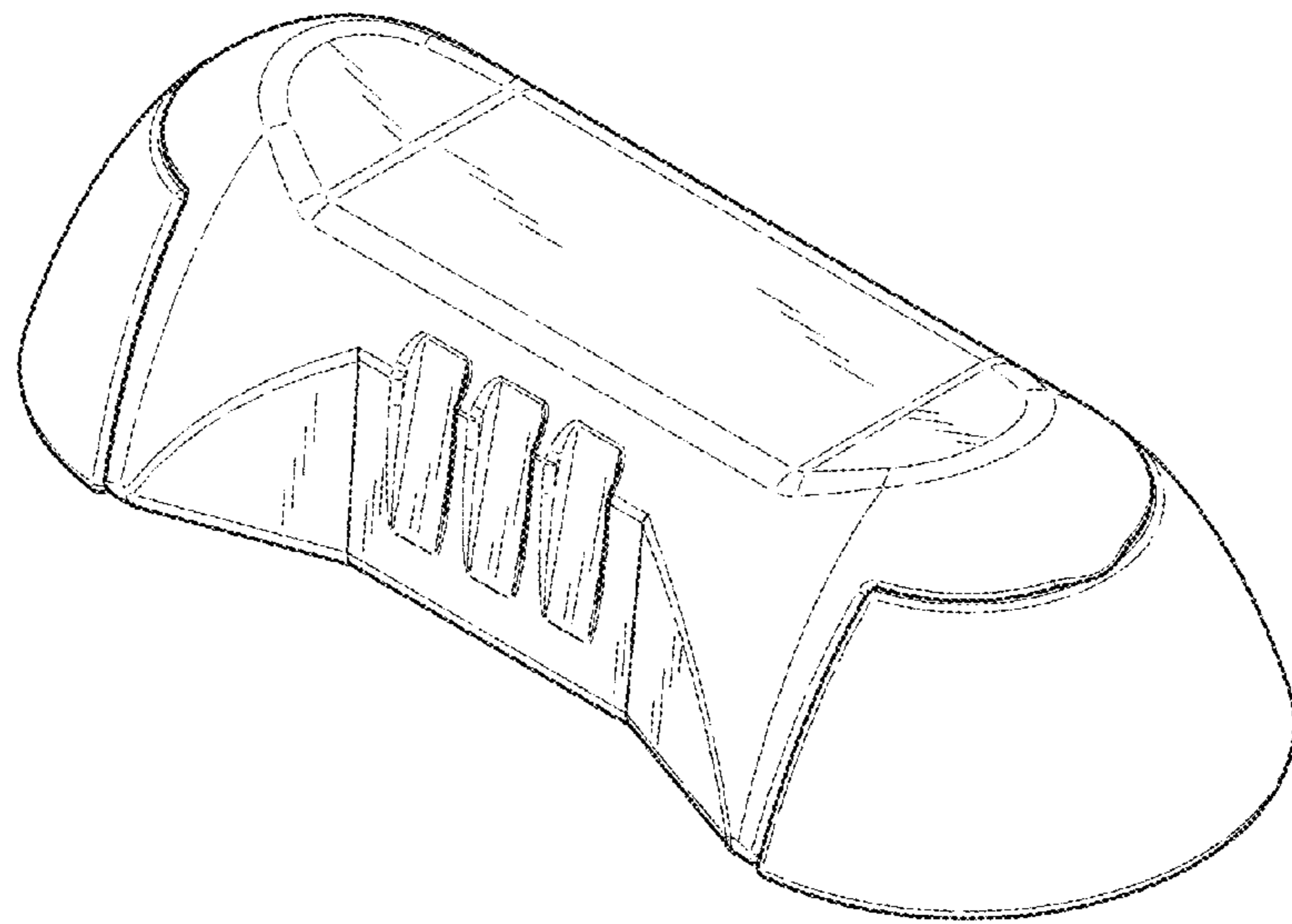
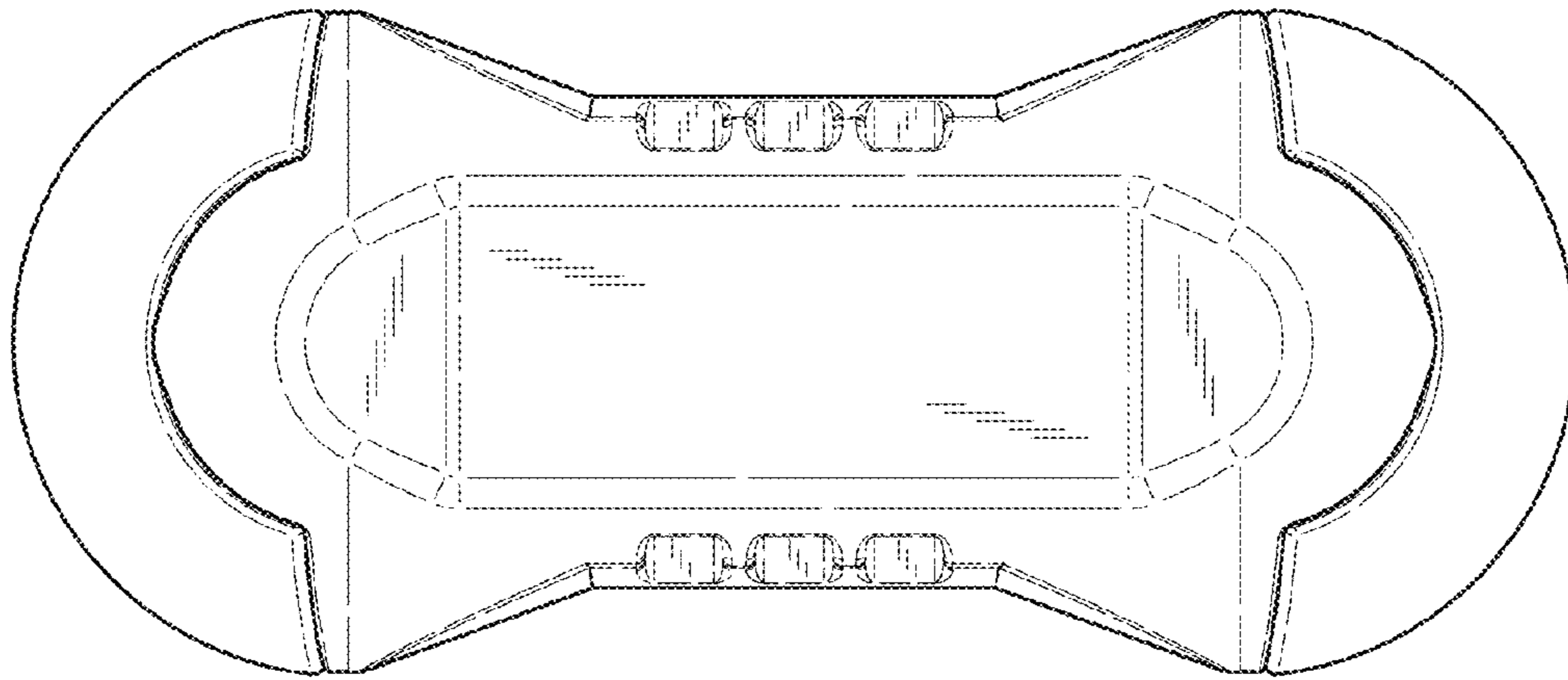


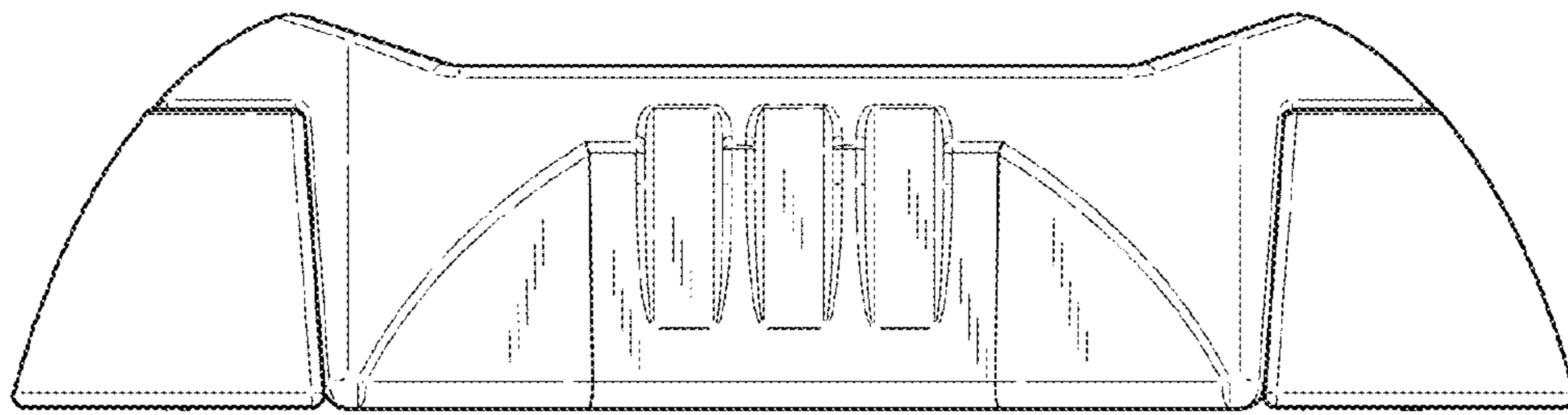
FIG. 9



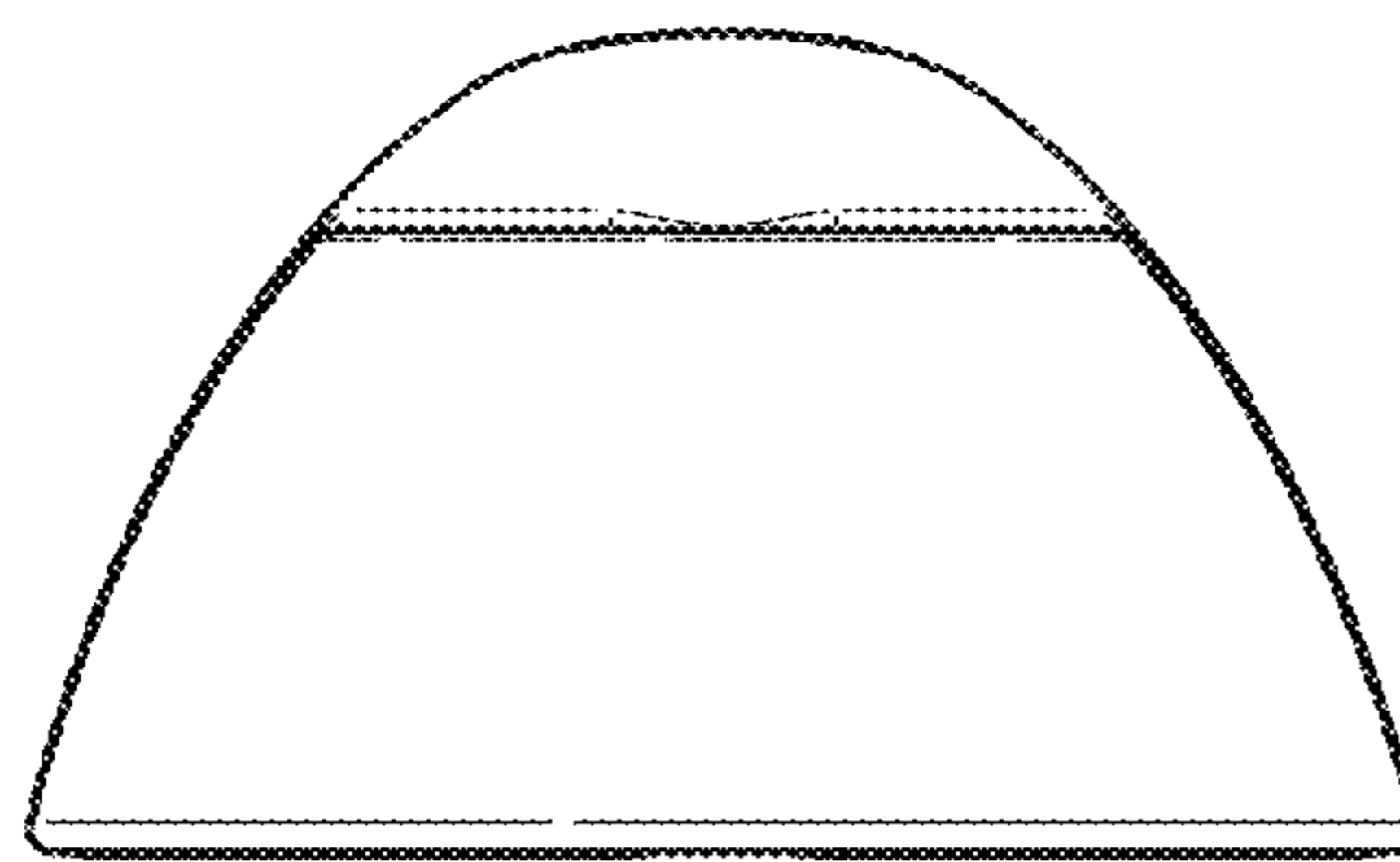
*FIG. 10*



*FIG. 11*



*FIG. 12*



*FIG. 13*



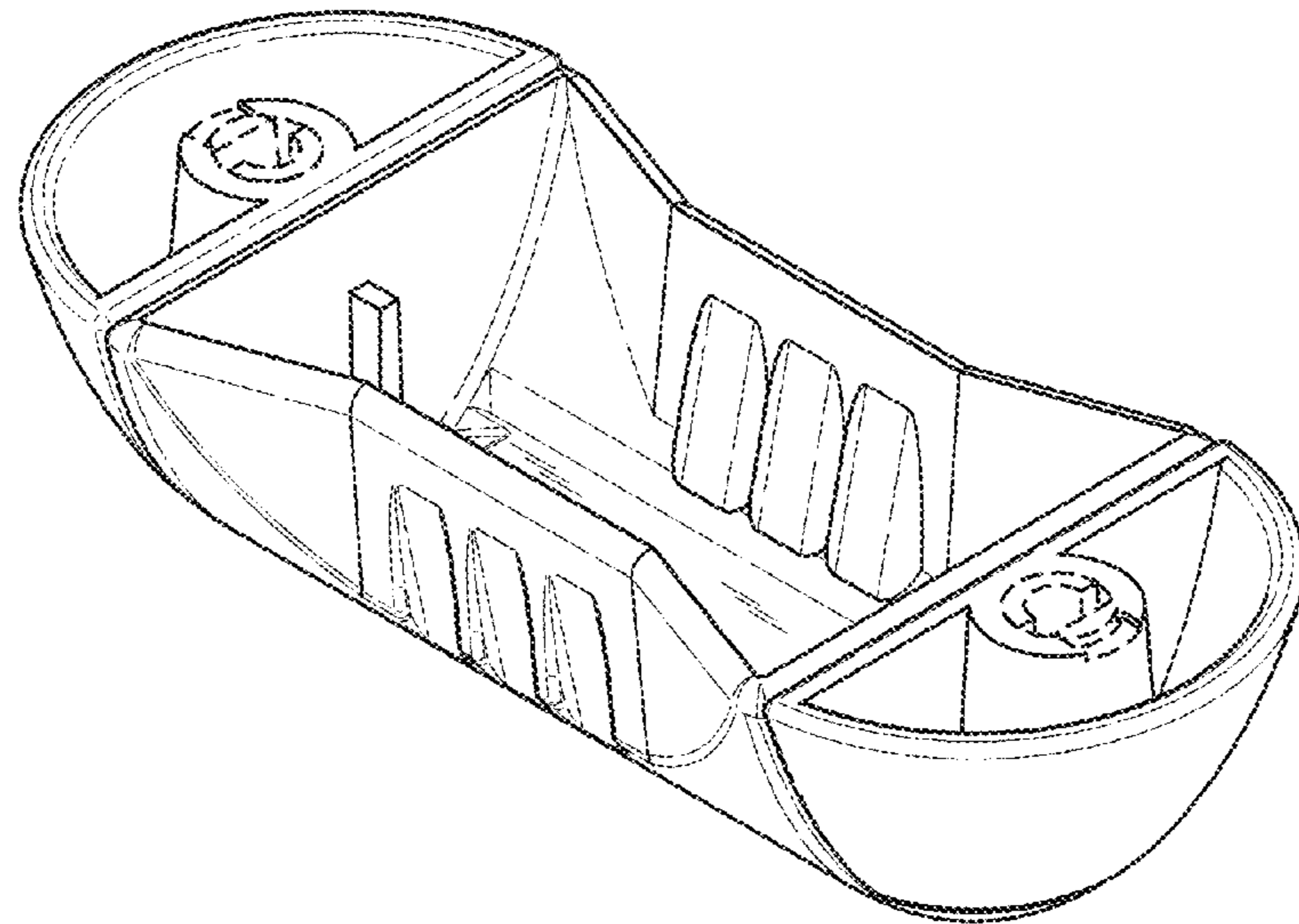


FIG. 14

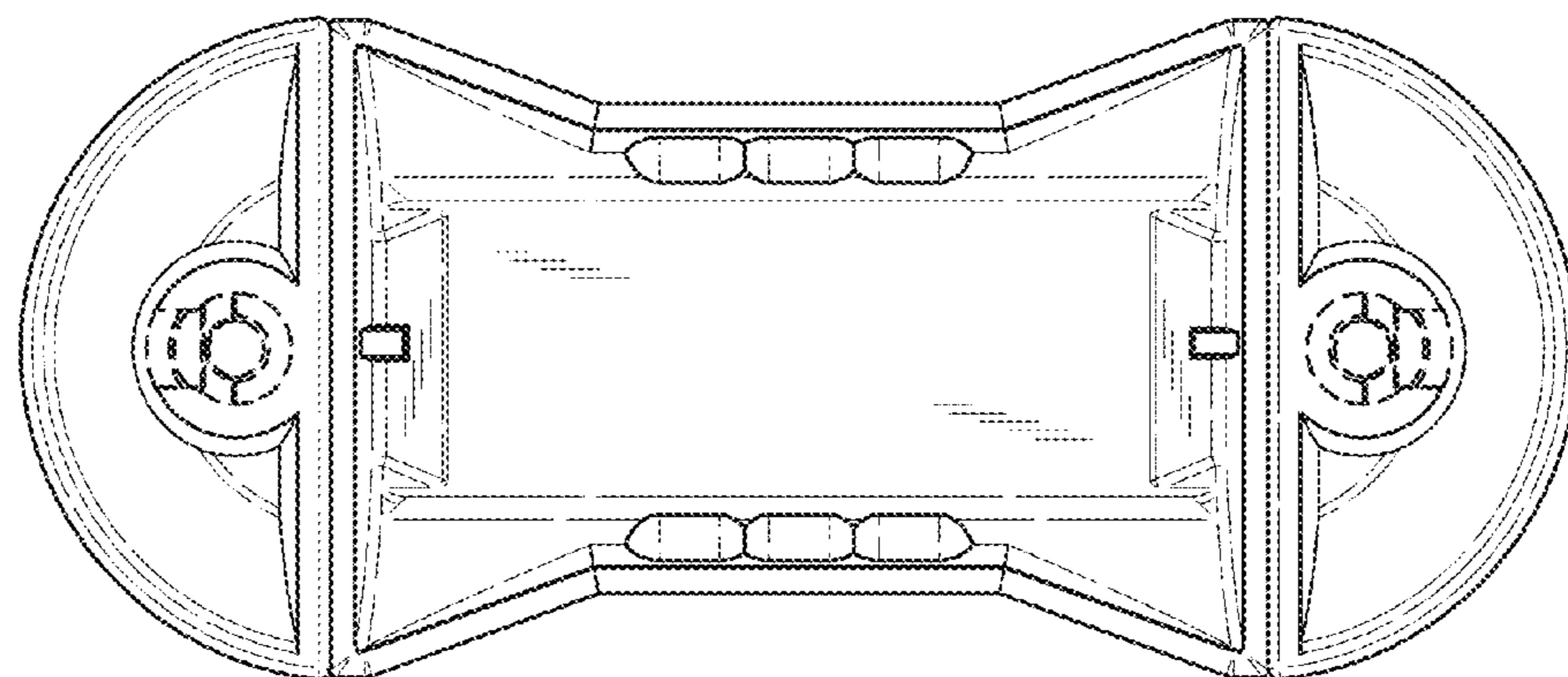


FIG. 15