



US00D764727S

(12) **United States Design Patent**
Coughlan

(10) **Patent No.:** **US D764,727 S**

(45) **Date of Patent:** **** Aug. 23, 2016**

(54) **LEAF BAG ATTACHMENT**

(71) Applicant: **Ronald Coughlan**, Whitby (CA)

(72) Inventor: **Ronald Coughlan**, Whitby (CA)

(**) Term: **14 Years**

(21) Appl. No.: **29/463,645**

(22) Filed: **Jan. 28, 2014**

(51) **LOC (10) Cl.** **15-05**

(52) **U.S. Cl.**
USPC **D32/25**

(58) **Field of Classification Search**
USPC D15/22-28, 14-17; D34/1, 5, 6, 11, 10;
D32/25

CPC A01D 34/42; A01D 57/00; A01D 69/00;
A01D 75/00

See application file for complete search history.

D369,447	S	*	4/1996	Mann et al.	D32/25
D381,139	S	*	7/1997	Johnson et al.	D32/25
D473,685	S	*	4/2003	McLain et al.	D32/25
D486,617	S	*	2/2004	Binder et al.	D34/6
D532,945	S	*	11/2006	Charmoille et al.	D32/25
D532,946	S	*	11/2006	Gansebom et al.	D32/25
D537,217	S	*	2/2007	Charmoille et al.	D32/25
D621,118	S	*	8/2010	Cannizzo	D34/6
2007/0089803	A1	*	4/2007	Wallek	B65F 1/06 141/337
2014/0318096	A1	*	10/2014	Lukas	A01D 43/0636 56/202

* cited by examiner

Primary Examiner — Michael A. Pratt

Assistant Examiner — Michelle E Wilson

(74) *Attorney, Agent, or Firm* — George A. Seaby

(57) **CLAIM**

The ornamental design for a leaf bag attachment, as shown and described.

DESCRIPTION

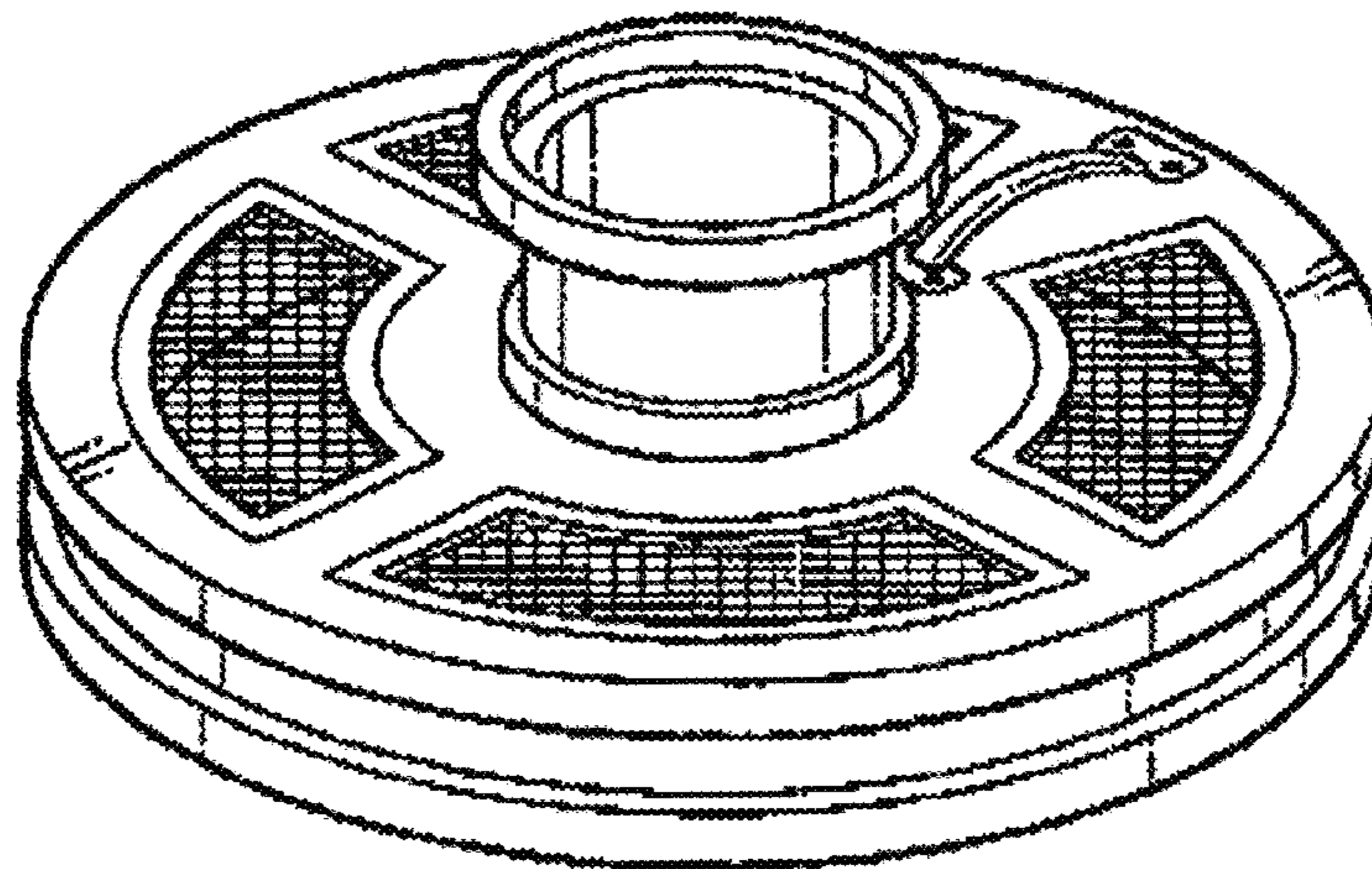
FIG. 1 is a perspective view of the leaf bag attachment viewed from above and one side, a perspective view from above and the opposite side being the mirror image of FIG. 1; FIG. 2 is a top elevational view thereof; and, FIG. 3 is a bottom elevational view thereof.

1 Claim, 1 Drawing Sheet

(56) **References Cited**

U.S. PATENT DOCUMENTS

D194,093	S	*	11/1962	Mullinix	D32/25
3,638,888	A	*	2/1972	Ross	248/97
D246,587	S	*	12/1977	Miller	D32/25
D252,640	S	*	8/1979	Nederman	D23/365
D274,853	S	*	7/1984	Withers et al.	D32/25
D275,617	S	*	9/1984	Pichelman et al.	D32/25



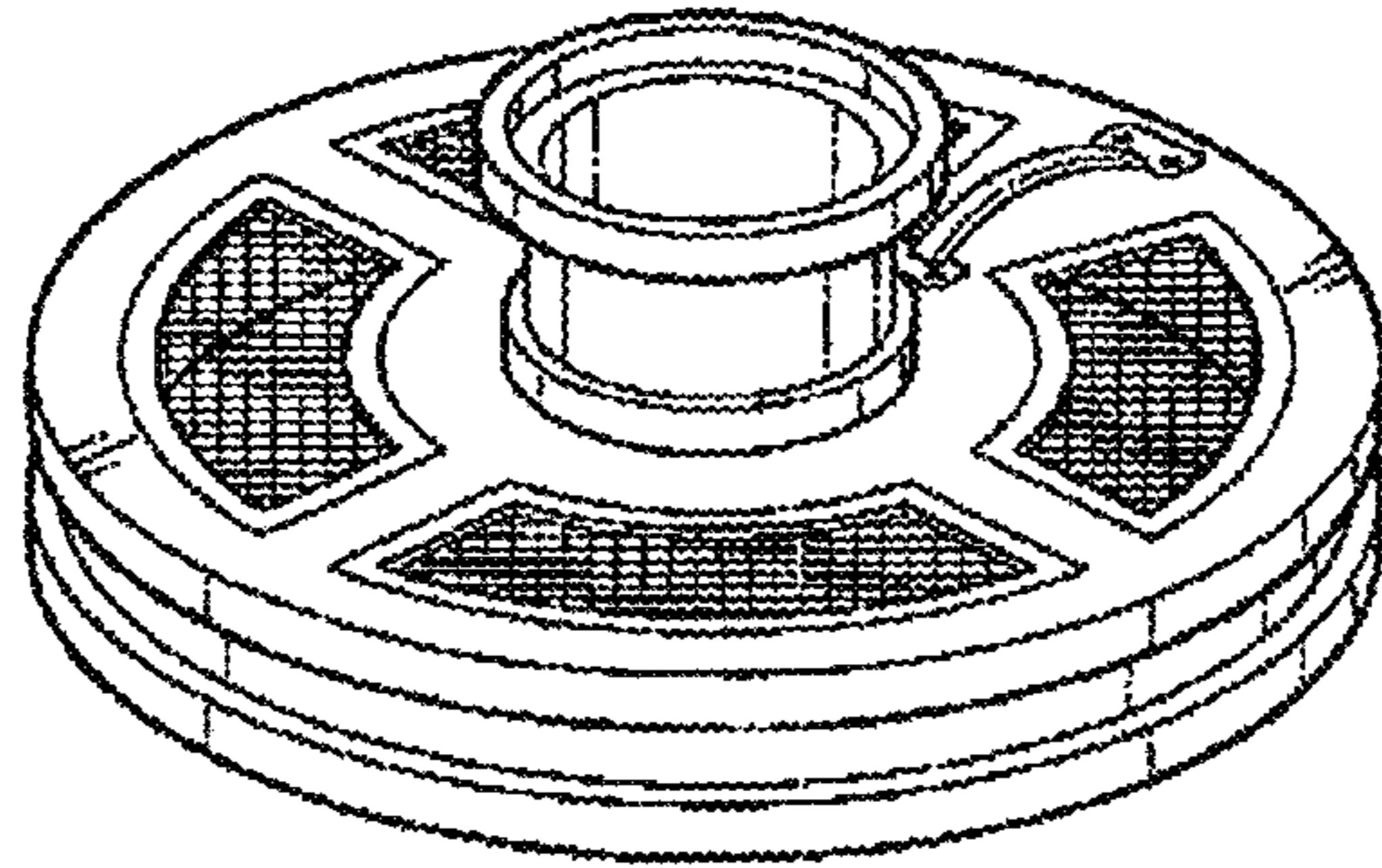


FIG. 1

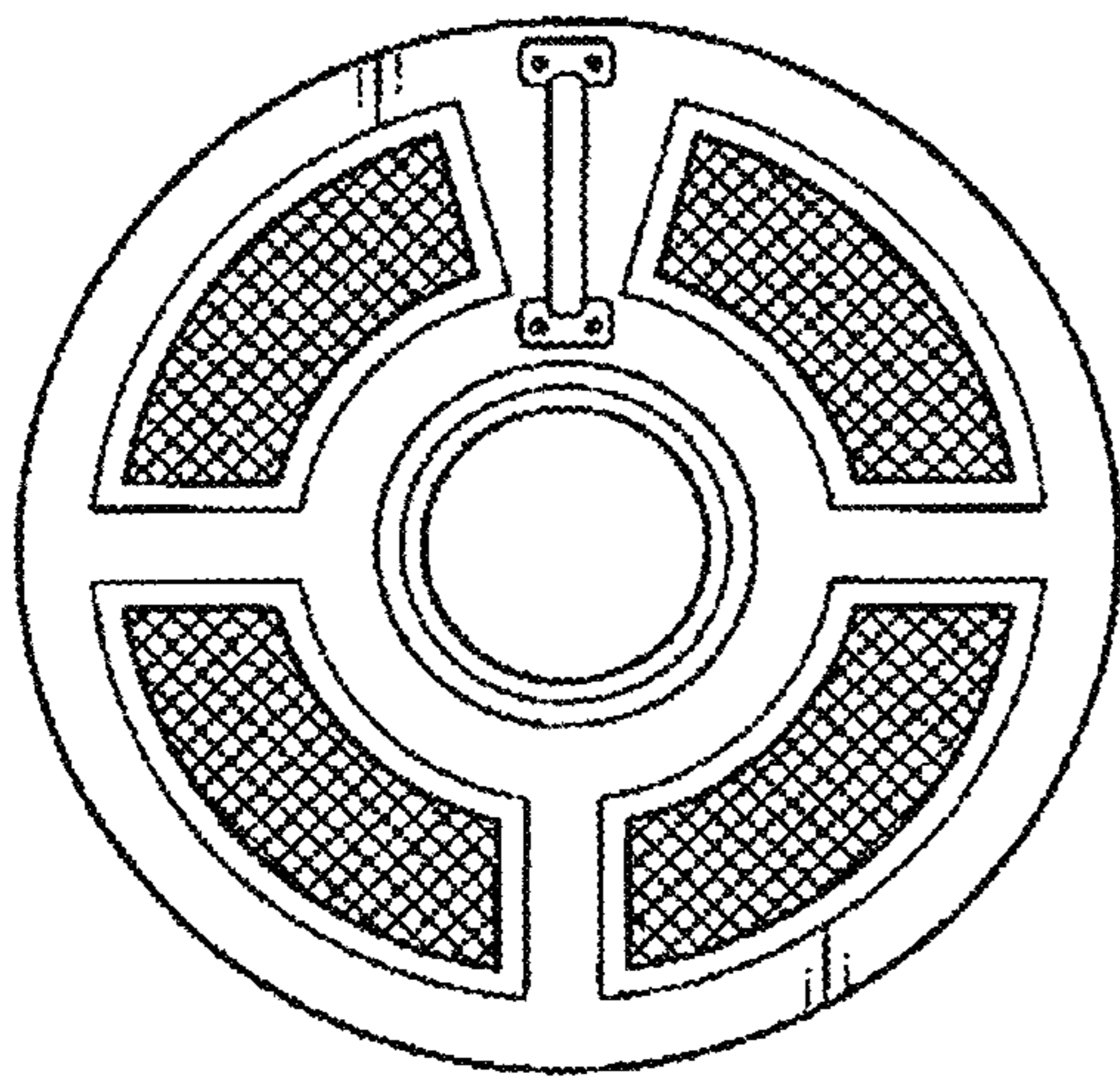


FIG. 2

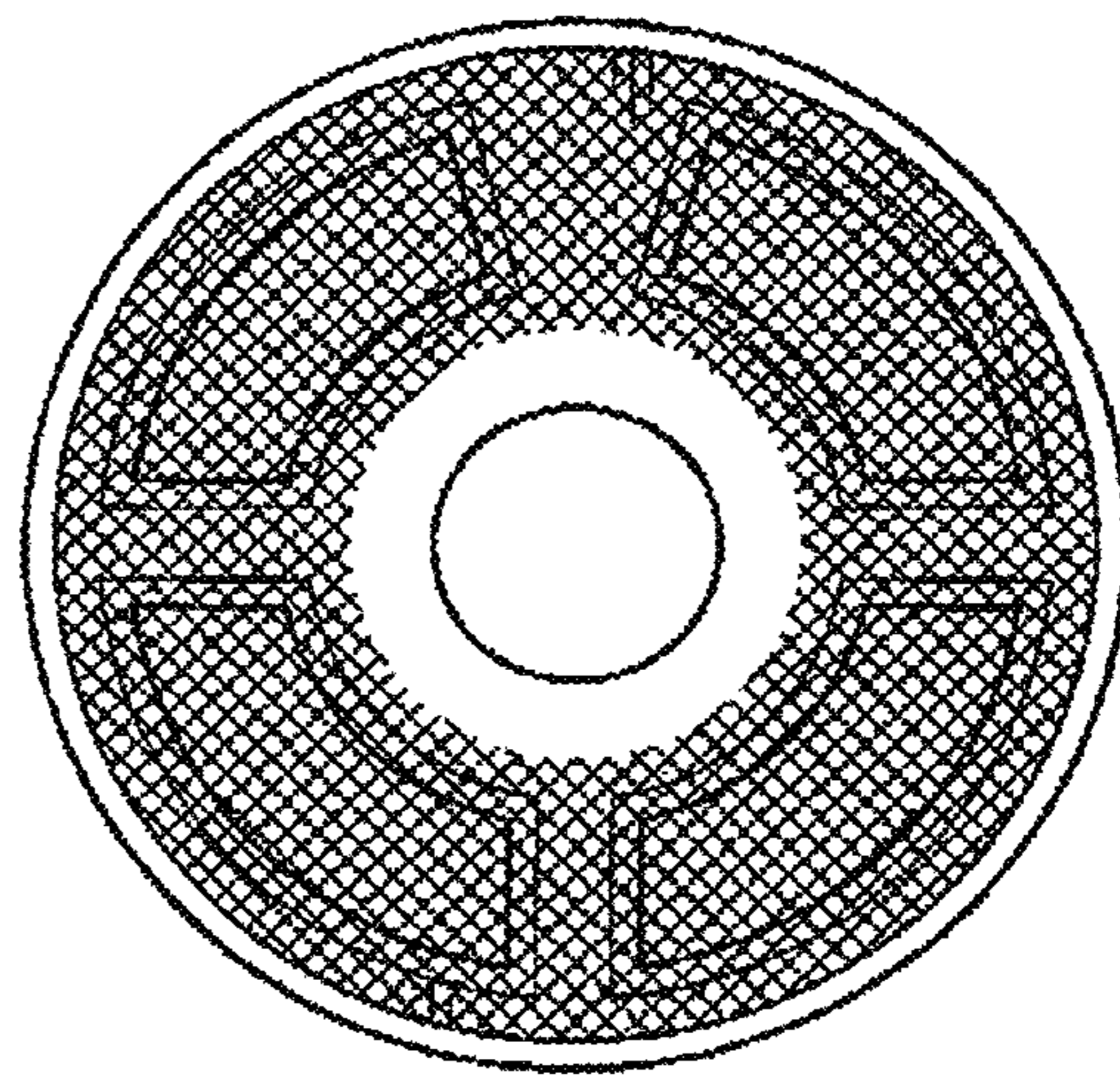


FIG. 3